

Professional streetlight luminaire for LED light sources.

TECHNICAL DATA	Mounting: on pillar $\varnothing 60/48\text{mm}$, on outriggers $\varnothing 60/48\text{mm}$ Body: high pressure die-cast aluminum Lateral Surface Wind Exposed: 0.039 m^2 Colour: gray Diffuser: tempered glass
ELECTRICAL DATA	Power supply efficiency: $>95\%$ Power: 220-240V 50/60Hz Includes light source: yes Type of equipment: ED Electrical connection: max $3 \times 2,5\text{ mm}^2$ wire, max $2 \times 2,5\text{ mm}^2$ wire
OPTICAL DATA	Way of lighting: direct Type of optic: O2 - for express roads, O3 - for local roads, O4 - for town roads, O5 - for residential area roads, O6P - for pedestrian crossings, right side traffic, O6L - for pedestrian crossings, left side traffic, O7 - for area lighting, O8 - for town and local roads
ADDITIONAL INFO	Available on request: DALI, DIM 1..10V, LLOC, twilight sensor, knife switch, 10kV surge protection, NTC, access to the driver chamber without the use of tools Operating temperature range: $-35^\circ\text{C} \dots +45^\circ\text{C}$ Lifetime (L80B10): 100 000 h
GENERAL DATA	Warranty: 5 years Application: express roads, local roads, town roads, residential area roads, pedestrian crossings, area lighting, avenues, promenade, cycle paths



Code	Power LED [W]	Luminaire power [W]	Lumen LED [lm]	Lumen luminaire [lm]	Efficacy [lm/W]	Colour temperature [K]	CRI/Ra
130222.5L42X.0X1	25	31	3150	2850	92	3000	>70
130222.5L01X.0X1	25	31	3450	3100	100	4000	>70
130222.5L02X.0X1	25	31	3450	3100	100	5700	>70
130222.5L43X.0X1	34	39	3950	3550	91	3000	>70
130222.5L13X.0X1	34	39	4550	4100	105	4000	>70
130222.5L14X.0X1	34	39	4550	4100	105	5700	>70
130222.5L44X.0X1	50	57	6000	5350	94	3000	>70
130222.5L04X.0X1	50	57	6850	6200	109	4000	>70
130222.5L05X.0X1	50	57	6850	6200	109	5700	>70
130222.5L45X.0X1	76	84	8950	8050	96	3000	>70
130222.5L07X.0X1	76	84	10250	9300	111	4000	>70
130222.5L08X.0X1	76	84	10250	9300	111	5700	>70
130222.5L46X.0X1	100	110	11850	10700	97	3000	>70
130222.5L10X.0X1	100	110	13750	12350	112	4000	>70
130222.5L11X.0X1	100	110	13750	12350	112	5700	>70

Luminous flux tolerance +/- 10%.

130222.5L01 □ .0 □ 1

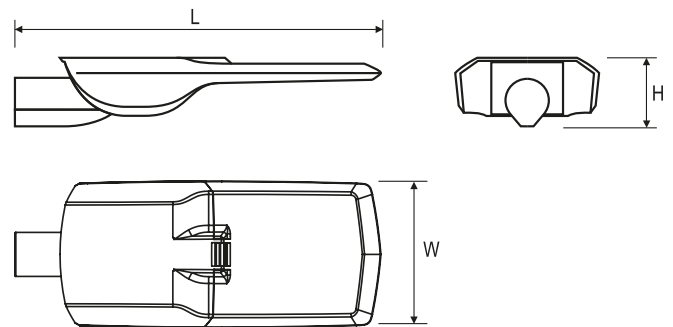
Type of optic

- 1 O2 - for express roads
- 2 O3 - for local roads
- 3 O4 - for town roads
- 4 O5 - for residential area roads
- 5 O6P - for pedestrian crossings, right side traffic
- 9 O6L - for pedestrian crossings, left side traffic
- 6 O7 - for area lighting
- 8 O8 - for town and local roads

Protection Class

- 1 I
- 2 II

Code	Dimensions [mm] L W H	Pallet quantity	Quantity in package	Net weight [kg]
130222.5L42X.0X1	550 250 100	20	1	6.8
130222.5L01X.0X1	550 250 100	20	1	6.8
130222.5L02X.0X1	550 250 100	20	1	6.8
130222.5L43X.0X1	550 250 100	20	1	6.8
130222.5L13X.0X1	550 250 100	20	1	6.8
130222.5L14X.0X1	550 250 100	20	1	6.8
130222.5L44X.0X1	550 250 100	20	1	6.8
130222.5L04X.0X1	550 250 100	20	1	6.8
130222.5L05X.0X1	550 250 100	20	1	6.8
130222.5L45X.0X1	550 250 100	20	1	6.8
130222.5L07X.0X1	550 250 100	20	1	6.8
130222.5L08X.0X1	550 250 100	20	1	6.8
130222.5L46X.0X1	550 250 100	20	1	6.8
130222.5L10X.0X1	550 250 100	20	1	6.8
130222.5L11X.0X1	550 250 100	20	1	6.8



OTHER PICTURES



ACCESSORIES



150170.00817

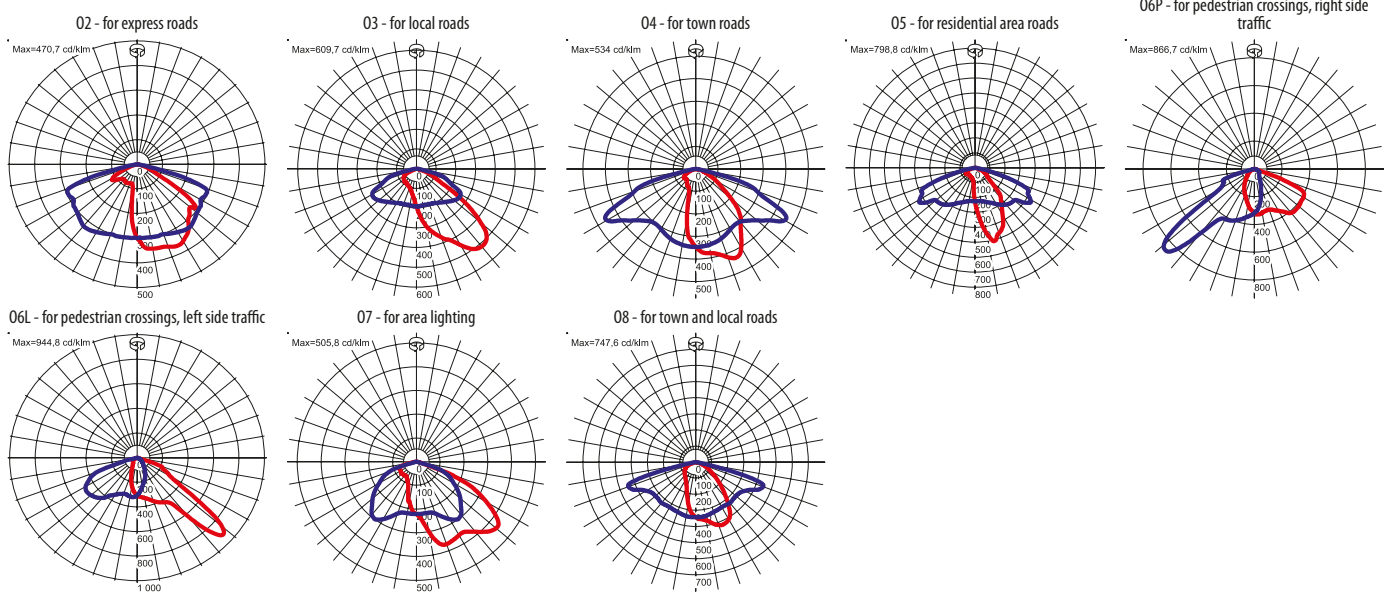
Reducer 60/76 mm


 □ 150170.00818
 ■ 150173.00906

Wall bracket ø60

Luminous flux tolerance +/- 10%.

LIGHT BEAM CURVES



OTHER PROJECTS



Sława, Lubuskie voivodeship, Poland

Zjednoczenia Avenue, Zielona Góra, Poland

Luminous flux tolerance +/- 10%.