

Professional streetlight luminaire for LED light sources.

#### TECHNICAL DATA

**Mounting:** on pillar  $\varnothing 60\text{mm}$ , on horizontal and vertical pillars, on outriggers  $\varnothing 60\text{mm}$ , with mounting bracket (included)

**Body:** high pressure die-cast aluminum

**Lateral Surface Wind Exposed:**  $0,029\text{ m}^2$

**Colour:** gray

#### ELECTRICAL DATA

**Power supply efficiency:**  $>89\%$

**Power:** 220-240V 50/60Hz

**Includes light source:** yes

**Type of equipment:** ED

**Electrical connection:** luminaire equipped with  $3 \times 0,75\text{ mm}^2$  wire with a length of 4 m (I class), luminaire equipped with  $2 \times 0,75\text{ mm}^2$  wire with a length of 4 m (II class)

#### OPTICAL DATA

**Light distribution:** circular

**Way of lighting:** direct

**Type of optic:** 09 - for bike paths, 010 - for pedestrian zones

#### ADDITIONAL INFO

**Available on request:** DALI, NTC

**Lifetime (L80B10):** 100 000 h

#### GENERAL DATA

**Warranty:** 5 years

**Application:** cycle paths, avenues, sidewalks, parks, parking areas, residential, public spaces, playgrounds, promenade, residential area roads



Code	Power LED [W]	Luminaire power [W]	Lumen LED [lm]	Lumen luminaire [lm]	Efficacy [lm/W]	Colour temperature [K]	CRI/Ra	Operating temperature range [°C]
<b>Protection Class: I</b>								
130232.5L261.1X1	18	21	2400	2150	102	3000	>70	-20 ... +50
130232.5L041.1X1	18	21	2800	2400	114	4000	>70	-20 ... +50
130232.5L051.1X1	18	21	2800	2400	114	5700	>70	-20 ... +50
130232.5L271.1X1	25	29	3100	2800	97	3000	>70	-20 ... +45
130232.5L071.1X1	25	29	3650	3200	110	4000	>70	-20 ... +45
130232.5L081.1X1	25	29	3650	3200	110	5700	>70	-20 ... +45
130232.5L281.1X1	34	38	4050	3700	97	3000	>70	-20 ... +35
130232.5L101.1X1	34	38	4350	3950	104	4000	>70	-20 ... +35
130232.5L111.1X1	34	38	4350	3950	104	5700	>70	-20 ... +35
<b>Protection Class: II</b>								
130232.5L252.1X1	12	14	1950	1750	125	3000	>70	-40 ... +55
130232.5L132.1X1	12	14	2050	1850	132	4000	>70	-40 ... +55
130232.5L142.1X1	12	14	2050	1850	132	5700	>70	-40 ... +55
130232.5L262.1X1	17	20	2650	2400	120	3000	>70	-40 ... +55
130232.5L162.1X1	17	20	2800	2550	128	4000	>70	-40 ... +55
130232.5L172.1X1	17	20	2800	2550	128	5700	>70	-40 ... +55
130232.5L272.1X1	24	28	3500	3200	114	3000	>70	-40 ... +55
130232.5L192.1X1	24	28	3700	3400	121	4000	>70	-40 ... +55
130232.5L202.1X1	24	28	3700	3400	121	5700	>70	-40 ... +55
130232.5L282.1X1	37	42	4800	4350	104	3000	>70	-40 ... +45
130232.5L222.1X1	37	42	5050	4700	112	4000	>70	-40 ... +45
130232.5L232.1X1	37	42	5050	4700	112	5700	>70	-40 ... +45

Luminous flux tolerance +/- 10%.

130232.5L011.1 

Type of optic

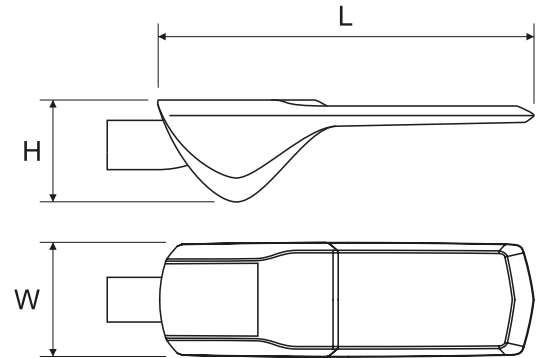
0 O9 - for bike paths

1 O10 - for pedestrian zones

Code	Dimensions [mm] L W H	Mounting dimensions [mm] ØS	Pallet quantity	Net weight [kg]
<b>Protection Class: I</b>				
130232.5L261.1X1	490 110 120	60	156	2.9
130232.5L041.1X1	490 110 120	60	156	2.9
130232.5L051.1X1	490 110 120	60	156	2.9
130232.5L271.1X1	490 110 120	60	156	2.9
130232.5L071.1X1	490 110 120	60	156	2.9
130232.5L081.1X1	490 110 120	60	156	2.9
130232.5L281.1X1	490 110 120	60	156	2.9
130232.5L101.1X1	490 110 120	60	156	2.9
130232.5L111.1X1	490 110 120	60	156	2.9

**Protection Class: II**

130232.5L252.1X1	490 110 120	60	156	2.9
130232.5L132.1X1	490 110 120	60	156	2.9
130232.5L142.1X1	490 110 120	60	156	2.9
130232.5L262.1X1	490 110 120	60	156	2.9
130232.5L162.1X1	490 110 120	60	156	2.9
130232.5L172.1X1	490 110 120	60	156	2.9
130232.5L272.1X1	490 110 120	60	156	2.9
130232.5L192.1X1	490 110 120	60	156	2.9
130232.5L202.1X1	490 110 120	60	156	2.9
130232.5L282.1X1	490 110 120	60	156	2.9
130232.5L222.1X1	490 110 120	60	156	2.9
130232.5L232.1X1	490 110 120	60	156	2.9

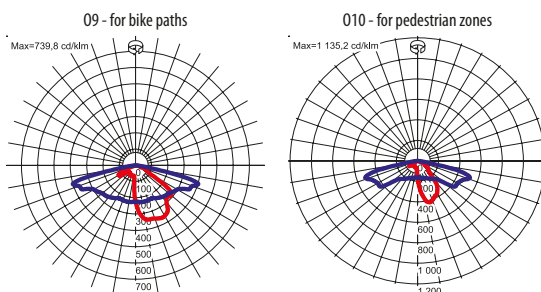
**ACCESSORIES**

150170.00817

Reducer 60/76 mm


 150170.00818  
 150173.00906

Wall bracket ø60

**LIGHT BEAM CURVES**

Luminous flux tolerance +/- 10%.