

Modern floodlight for LED light source.

TECHNICAL DATA	Mounting: on the adjustable holder, on the substrate Body: high pressure die-cast aluminum Colour: gray Diffuser: tempered glass
ELECTRICAL DATA	Power supply efficiency: >85% Electrical connection: max 3x1 mm ² wire with a length of 1.8 m Power: 220-240V 50/60Hz Includes light source: yes Type of equipment: ED
OPTICAL DATA	Light distribution: circular, asymmetric-narrow, asymmetric-wide Way of lighting: direct Type of optic: lens
ADDITIONAL INFO	Available on request: DALI, DIM 1..10V Other remarks: IP68 connector required Lifetime (L70B50): 100 000 h Lifetime (LM80 TM21 L80B50): 60 000 h Lifetime (LM80 TM21 L90B50): 35 500 h
GENERAL DATA	Warranty: 5 years Application: building facades, facades, parking areas, sport facilities, industrial facilities, warehouses



Code	Power LED [W]	Luminaire power [W]	Lumen LED [lm]	Lumen luminaire [lm]	Efficacy [lm/W]	Colour temperature [K]	CRI/Ra	Operating temperature range [°C]
120212.5L011.X1	24	27	3700	3250	120	4000	>70	-30°C...+40°C
120212.5L021.X1	24	27	3700	3250	120	5700	>70	-30°C...+40°C
120212.5L041.X1	42	48	6000	5350	111	4000	>70	-40°C...+35°C
120212.5L051.X1	42	48	6000	5350	111	5700	>70	-40°C...+35°C
120212.5L071.X1	50	57	7000	6250	110	4000	>70	-40°C...+30°C
120212.5L081.X1	50	57	7000	6250	110	5700	>70	-40°C...+30°C
120212.5L101.X1	65	73	8400	7500	103	4000	>70	-40°C...+33°C
120212.5L111.X1	65	73	8400	7500	103	5700	>70	-40°C...+33°C

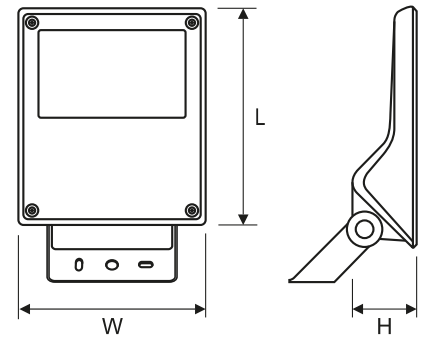
120212.5L011.X1

- 1
- Beam angle
- 1 25°
 - 2 50°
 - 3 narrow
 - 4 wide

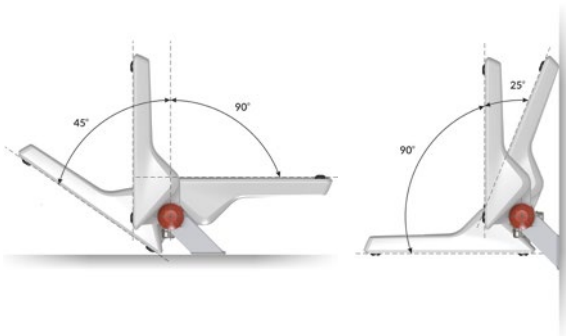
Luminous flux tolerance +/- 10%.

Luminaire efficacy depends on the used lens. Detailed information on each luminaire index is available on our website.

Code	Dimensions [mm] L W H	Pallet quantity	Quantity in package	Net weight [kg]
120212.5L011.X1	272 238 73	153	1	3.5
120212.5L021.X1	272 238 73	153	1	3.5
120212.5L041.X1	272 238 73	153	1	3.7
120212.5L051.X1	272 238 73	153	1	3.7
120212.5L071.X1	272 238 73	153	1	3.8
120212.5L081.X1	272 238 73	153	1	3.8
120212.5L101.X1	272 238 73	153	1	3.9
120212.5L111.X1	272 238 73	153	1	3.9



OTHER PICTURES



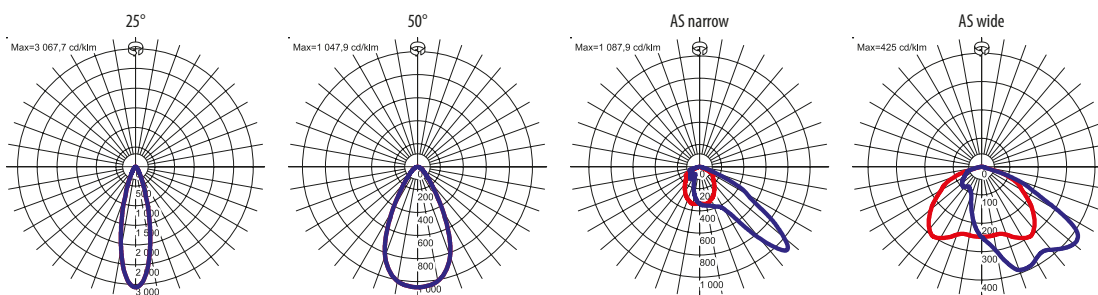
ACCESSORIES



150160.00924

IP68 hermetic connector

LIGHT BEAM CURVES



Luminous flux tolerance +/- 10%.

Luminaire efficacy depends on the used lens. Detailed information on each luminaire index is available on our website.