



Modern surface mounted luminaire for LED light sources.

TECHNICAL DATA

Mounting: surface mounted
Body: top quality anodized aluminum with carbon fiber structure finish

ELECTRICAL DATA

Colour: black
Power: 220-240V 50/60Hz
Includes light source: yes

OPTICAL DATA

Type of equipment: ED
Way of lighting: direct

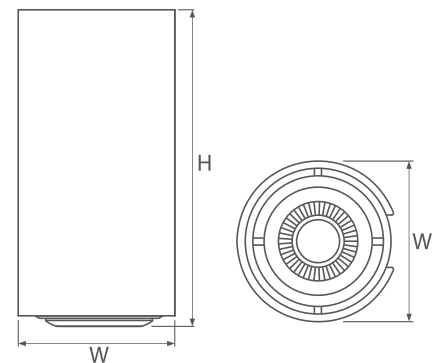
GENERAL DATA

Available on request: DIM 1..10V, DALI
Other remarks: for metal halide version - please order MH light sources
Warranty: 5 years
Application: offices, conference rooms, reception desks, shopping centers, car showrooms, boutiques

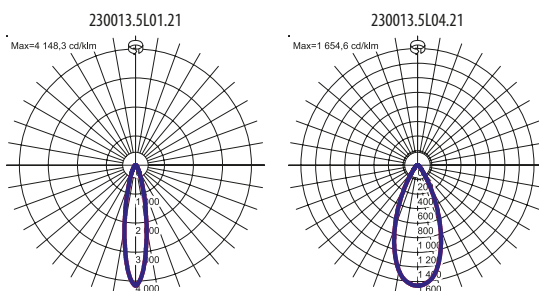


Code	Beam angle	Power LED [W]	Luminaire power [W]	Lumen LED [lm]	Lumen luminaire [lm]	Efficacy [lm/W]	Colour temperature [K]	CRI/Ra
230013.5L01.21	24°	17,5	21	1560	1560	74	4000	92
230013.5L02.21	24°	17,5	21	1430	1430	68	3000	92
230013.5L03.21	40°	17,5	21	1560	1560	74	4000	92
230013.5L04.21	40°	17,5	21	1430	1430	68	3000	92

Code	Dimensions [mm] W H	Mounting dimensions [mm] L W	Pallet quantity	Quantity in package	Net weight [kg]
230013.5L01.21	185 362	50 50	50	1	3.8
230013.5L02.21	185 362	50 50	50	1	3.8
230013.5L03.21	185 362	50 50	50	1	3.8
230013.5L04.21	185 362	50 50	50	1	3.8



LIGHT BEAM CURVES



Designed by LUG Design Team

Luminous flux tolerance +/- 10%.

Lighting beam, light intensity distribution and light efficiency were examined in accordance with the EN ISO 17025:2005 norm for EN13032 norm series and the LM-79 norm.

Up-to-date product info available on our website www.flashdq.com