

Modern downlight luminaire with spotlight function for LED light sources for plaster board ceilings.

TECHNICAL DATA

Mounting: in the ceiling, with mounting brackets (included)

Body: powder painted steel sheet and anodized aluminum

Colour: white, black

ELECTRICAL DATA

Power: 220-240V 50/60Hz

Includes light source: yes

Type of equipment: ED

OPTICAL DATA

Way of lighting: direct

GENERAL DATA

Available on request: metal halide lamps (on request), DALI

Other remarks: for metal halide version - please order MH light sources

Warranty: 5 years

Application: hotels, offices, delicatessen, galleries, boutiques, shopping centers, museums



Code	Beam angle	Power LED [W]	Luminaire power [W]	Lumen LED [lm]	Lumen luminaire [lm]	Efficacy [lm/W]	Colour temperature [K]	CRI/Ra
22001X.5L301.3X4	24°	3x17,5	62	3x1560	4680	75	4000	92
22001X.5L302.3X4	24°	3x17,5	62	3x1430	4290	69	3000	92
22001X.5L303.3X4	40°	3x17,5	62	3x1560	4680	75	4000	92
22001X.5L304.3X4	40°	3x17,5	62	3x1430	4290	69	3000	92

22001 .5L101.3 1

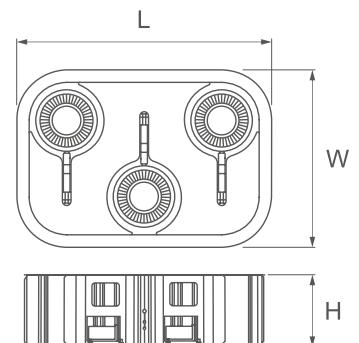
Colour of decorative elements

- 1 pink
- 2 red
- 3 green
- 4 blue
- 5 yellow
- 6 white
- 7 black

Body colour

- 1 white
- 3 black

Code	Dimensions [mm] L W H	Pallet quantity	Quantity in package	Net weight [kg]
22001X.5L301.3X4	500 348 144	20	1	6.0
22001X.5L302.3X4	500 348 144	20	1	6.0
22001X.5L303.3X4	500 348 144	20	1	6.0
22001X.5L304.3X4	500 348 144	20	1	6.0



Designed by LUG Design Team

Luminous flux tolerance +/- 10%.

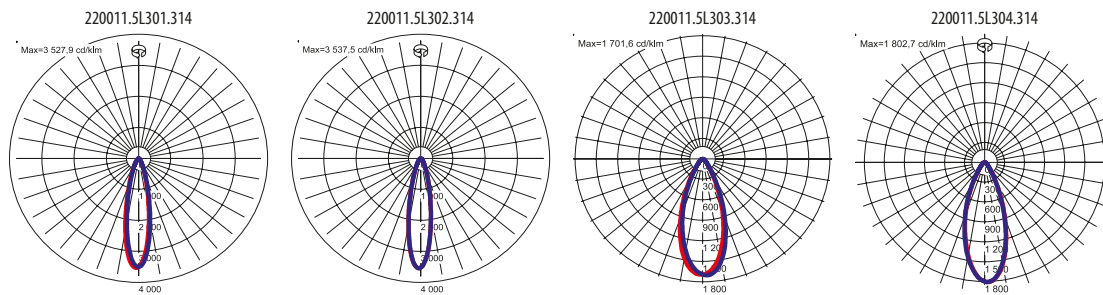
Lighting beam, light intensity distribution and light efficiency were examined in accordance with the EN ISO 17025:2005 norm for EN13032 norm series and the LM-79 norm.

Up-to-date product info available on our website www.flashdq.com

Date of issue: 23-6-2017

The LUG Company reserves right to introduce any construction changes and improvements into the lighting luminaires

LIGHT BEAM CURVES



Designed by LUG Design Team

Luminous flux tolerance +/- 10%.

Lighting beam, light intensity distribution and light efficiency were examined in accordance with the EN ISO 17025:2005 norm for EN13032 norm series and the LM-79 norm.

Up-to-date product info available on our website www.flashdq.com

Date of issue: 23-6-2017

The LUG Company reserves right to introduce any construction changes and improvements into the lighting luminaires