

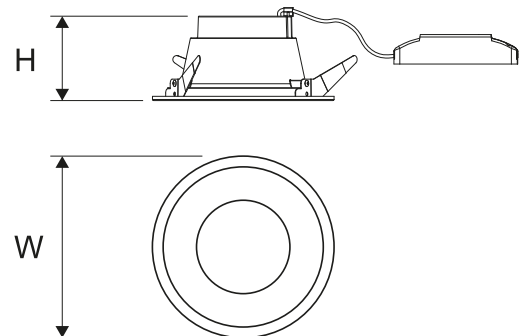
Decorative downlight luminaire for suspended ceilings, for LED light sources.

TECHNICAL DATA	Mounting: in the ceiling, with mounting brackets (included) Body: plastic Colour: white
ELECTRICAL DATA	Diffuser: opal plexiglass (PLX) Power supply efficiency: 86% Power: 220-240V 50/60Hz Includes light source: yes Type of equipment: DALI
OPTICAL DATA	Electrical connection: max 2x1,5 mm ² wire Light distribution: omnidirectional Way of lighting: direct Reflector: white, aluminum mat faceted
ADDITIONAL INFO	Other remarks: Mounting in ceilings 8-25 mm thick Lifetime (L70B50): 50 000 h Lifetime (L80B10): 50 000 h
GENERAL DATA	Warranty: 3 years Application: shopping centers, halls, corridors, museums, galleries, exhibitions, exhibitions, offices, hotels, public utility facilities



Code	Power LED [W]	Luminaire power [W]	Lumen LED [lm]	Lumen luminaire [lm]	Efficacy [lm/W]	Colour temperature [K]	CRI/Ra	Operating temperature range [°C]
Reflector: white								
300031.00137	10	14	1600	1050	75	3000	≥80	0 ... +45
300031.00133	10	14	1600	1050	75	4000	≥80	0 ... +45
300031.00129	19	21	2600	1900	90	3000	≥80	0 ... +35
300031.00138	19	21	2600	1900	90	4000	≥80	0 ... +35
Reflector: aluminum mat faceted								
300031.00139	10	14	1600	1100	79	3000	≥80	0 ... +45
300031.00140	10	14	1600	1100	79	4000	≥80	0 ... +45
300031.00141	19	21	2600	1950	93	3000	≥80	0 ... +35
300031.00142	19	21	2600	1950	93	4000	≥80	0 ... +35

Code	Dimensions [mm] W H	Mounting dimensions [mm] ØS	Pallet quantity	Quantity in package	Net weight [kg]
Reflector: white					
300031.00137	170 90	155	384	1	0.4
300031.00133	170 90	155	384	1	0.4
300031.00129	170 90	155	384	1	0.4
300031.00138	170 90	155	384	1	0.4
Reflector: aluminum mat faceted					
300031.00139	170 90	155	384	1	0.4
300031.00140	170 90	155	384	1	0.4
300031.00141	170 90	155	384	1	0.4
300031.00142	170 90	155	384	1	0.4



Luminous flux tolerance +/- 10%.

Lighting beam, light intensity distribution and light efficiency were examined in accordance with the EN ISO 17025:2005 norm for EN13032 norm series and the LM-79 norm.

Up-to-date product info available on our website www.lugbox24.com

OTHER PICTURES



Luminous flux tolerance +/- 10%.

Lighting beam, light intensity distribution and light efficiency were examined in accordance with the EN ISO 17025:2005 norm for EN13032 norm series and the LM-79 norm.

Up-to-date product info available on our website www.lugbox24.com