

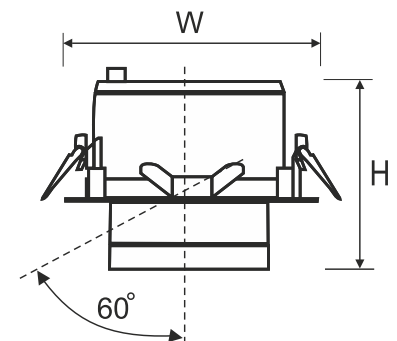
Recessed modern downlight, for suspended ceilings for integrated LED modules.

TECHNICAL DATA	Mounting: in the ceiling, with mounting brackets (included) Body: high pressure die-cast aluminum
ELECTRICAL DATA	Colour: white Power supply efficiency: >85% Power: 220-240V 50/60Hz Includes light source: yes Type of equipment: ED Electrical connection: max 2x1,5 mm ² wire
OPTICAL DATA	Light distribution: circular Way of lighting: direct Reflector: aluminum polished faceted
ADDITIONAL INFO	Available on request: DALI Operating temperature range: 0°C ... +30°C Additional equipment: lamp rings made of black die-cast aluminium
GENERAL DATA	Lifetime (L70B50): 50 000 h Warranty: 3 years + 2 years after project registration Application: boutiques, delicatessen, supermarkets, jeweler, museums, reception desks, restaurants

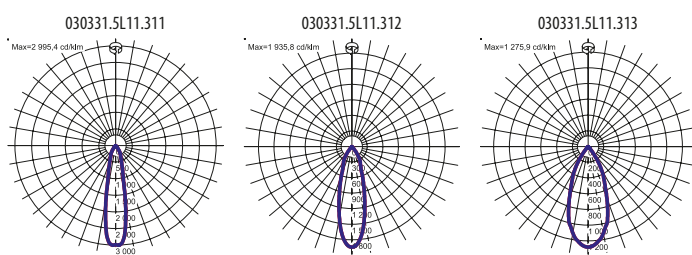


Code	Beam angle	Power LED [W]	Luminaire power [W]	Lumen LED [lm]	Lumen luminaire [lm]	Efficacy [lm/W]	Colour temperature [K]	CRI/Ra
030331.5L11.311	22°	16	18	2000	1500	83	3000	≥80
030331.5L11.312	30°	16	18	2000	1450	81	3000	≥80
030331.5L11.313	42°	16	18	2000	1450	81	3000	≥80
030331.5L12.311	22°	16	18	2000	1500	83	4000	≥80
030331.5L12.312	30°	16	18	2000	1450	81	4000	≥80
030331.5L12.313	42°	16	18	2000	1450	81	4000	≥80
030331.5L13.321	22°	22	25	3000	2350	94	3000	≥80
030331.5L13.322	30°	22	25	3000	2250	90	3000	≥80
030331.5L13.323	42°	22	25	3000	2300	92	3000	≥80
030331.5L14.321	22°	22	25	3000	2350	94	4000	≥80
030331.5L14.322	30°	22	25	3000	2250	90	4000	≥80
030331.5L14.323	42°	22	25	3000	2300	92	4000	≥80

Code	Dimensions [mm] LH	Mounting dimensions [mm] ØS	Pallet quantity	Quantity in package	Net weight [kg]
030331.5L11.311	165 145	155	308	1	1.1
030331.5L11.312	165 145	155	308	1	1.1
030331.5L11.313	165 145	155	308	1	1.1
030331.5L12.311	165 145	155	308	1	1.1
030331.5L12.312	165 145	155	308	1	1.1
030331.5L12.313	165 145	155	308	1	1.1
030331.5L13.321	195 165	180	216	1	1.7
030331.5L13.322	195 165	180	216	1	1.7
030331.5L13.323	195 165	180	216	1	1.7
030331.5L14.321	195 165	180	216	1	1.7
030331.5L14.322	195 165	180	216	1	1.7
030331.5L14.323	195 165	180	216	1	1.7



Luminous flux tolerance +/- 10%.

OTHER PICTURES**LIGHT BEAM CURVES**

Luminous flux tolerance +/- 10%.