

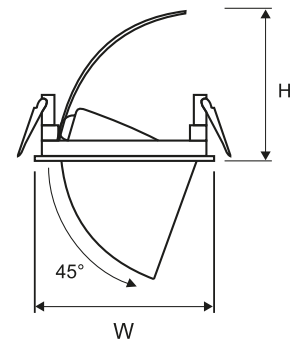
Recessed modern downlight, for suspended ceilings with adjustable optics for integrated LED modules.

TECHNICAL DATA	Mounting: in the ceiling, with mounting brackets (included) Body: high pressure die-cast aluminum Colour: white
ELECTRICAL DATA	Power supply efficiency: >86% Electrical connection: max 2x1,5 mm ² wire Power: 220-240V 50/60Hz Includes light source: yes Type of equipment: ED
OPTICAL DATA	Light distribution: circular Way of lighting: direct Reflector: aluminum polished faceted
ADDITIONAL INFO	Available on request: DALI Operating temperature range: 0°C ... +30°C Lifetime (L70B50): 50 000 h
GENERAL DATA	Warranty: 3 years + 2 years after project registration Application: boutiques, delicatessen, supermarkets, jeweler, museums, reception desks, restaurants

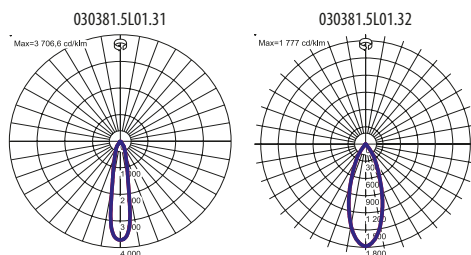


Code	Beam angle	Power LED [W]	Luminaire power [W]	Lumen LED [lm]	Lumen luminaire [lm]	Efficacy [lm/W]	Colour temperature [K]	CRI/Ra
030381.5L01.31	20°	24	27	2750	2250	83	3000	≥80
030381.5L01.32	38°	24	27	2750	2250	83	3000	≥80
030381.5L02.31	20°	20	23	2800	2300	100	4000	≥80
030381.5L02.32	38°	20	23	2800	2300	100	4000	≥80

Code	Dimensions [mm] W H	Mounting dimensions [mm] W	Pallet quantity	Quantity in package	Net weight [kg]
030381.5L01.31	119 125	110	385	1	1.0
030381.5L01.32	119 125	110	385	1	1.0
030381.5L02.31	119 125	110	385	1	1.0
030381.5L02.32	119 125	110	385	1	1.0



LIGHT BEAM CURVES



Luminous flux tolerance +/- 10%.

OTHER PROJECTS



AGATA MEBLE furniture showroom, Krakow, Poland

Luminous flux tolerance +/- 10%.