

HaloKant 53

Halogen Spot Light

Round 50mm

*Compatible with most MR16 LED Bulbs



Tilttable

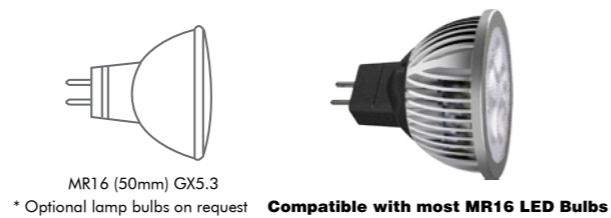


Cover Plate for Focus tilttable (on request)

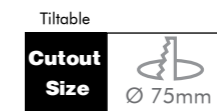
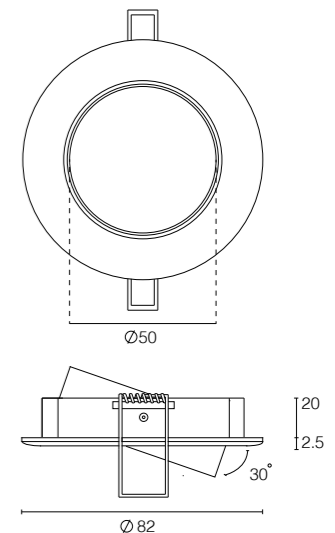
- 2.01.0442 Chrome cover plate 130mm with 75mm hole
- 2.01.0443 Brushed aluminium cover plate 130mm with 75mm hole
- 2.01.0445 White cover plate 130mm with 75mm hole

Product Information	Power	Maximum 50W
	Input Voltage	12V
	Lamp Holder	GX5.3 (included)
	Lamp Type	MR16 (not included)
	Electronic Transformer	not included

* Photometric information is determined by different lamp bulbs chosen.



Article Number	Product Name	Color Material	Lamp Type	Input Voltage	Power	Cutout Size
2.11.0422	Halogen Spot 50mm	Aluminium	MR16 (50mm)	12V	Max. 50W	Ø 75mm
2.11.0423	Halogen Spot 50mm	Brass	MR16 (50mm)	12V	Max. 50W	Ø 75mm
2.11.0424	Halogen Spot 50mm	Chrome	MR16 (50mm)	12V	Max. 50W	Ø 75mm
2.11.0425	Halogen Spot 50mm	Brushed Aluminium	MR16 (50mm)	12V	Max. 50W	Ø 75mm
2.11.0426	Halogen Spot 50mm	Gold	MR16 (50mm)	12V	Max. 50W	Ø 75mm
2.11.0427	Halogen Spot 50mm	Matt Chrome	MR16 (50mm)	12V	Max. 50W	Ø 75mm
2.11.0428	Halogen Spot 50mm	Matt Gold	MR16 (50mm)	12V	Max. 50W	Ø 75mm
2.11.0429	Halogen Spot 50mm	White	MR16 (50mm)	12V	Max. 50W	Ø 75mm
2.11.0430	Halogen Spot 50mm	Black	MR16 (50mm)	12V	Max. 50W	Ø 75mm
2.11.0431	Halogen Spot 50mm	Black Chrome	MR16 (50mm)	12V	Max. 50W	Ø 75mm



Accessories	Inclusive			Exclusive (On Request)	
	NO.	Description	Quantity	Article No.	Description
	1.	GX5.3 lamp holder	1	2.01.0455	Bracket with GX5.3 lamp holder
				2.01.0305	230V GU10/GZ10 lamp holder
				see page 359	MR16 LED module