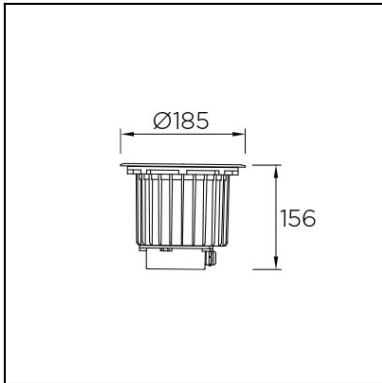
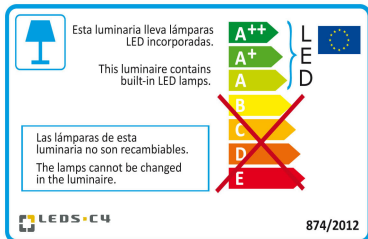




The photograph may not match the reference exactly. Please read the product description to identify the finish.



Download photometric file .ldt /.ies



Click on image to download energy label

TECHNICAL CHARACTERISTICS

Type:	UPLIGHT RECESSED
Adjustable:	Adjustable $\pm 15^\circ$ on the vertical axis Adjustable 360° on the vertical axis.
IP Protection degrees:	IP67
Light source 1: Bulb specified at the product label	1 x LED Cree 16W Warm White - 3000K 1890 lm ^(N) CRI 80
IK Protection degrees:	IK10
pdf.empotrable:	Si
Total power consumption (W):	17.6W
Angle of the optics / Reflector:	15°, 60°
Voltage / Frequency:	100-240V/50-60Hz
Warranty:	2
Option to extend the guarantee:	5
Units per box:	4
Net Weight (Kg):	2.075
EAN Code:	8435381439910



MATERIALS / FINISHES

Structure material: Stainless steel AISI316
High purity aluminium

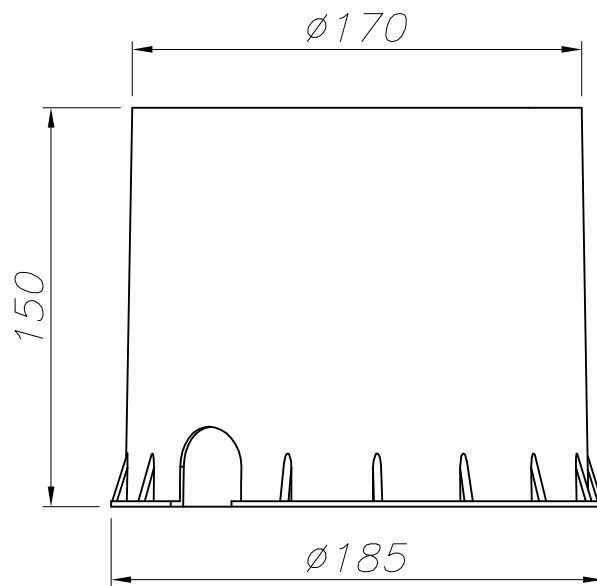
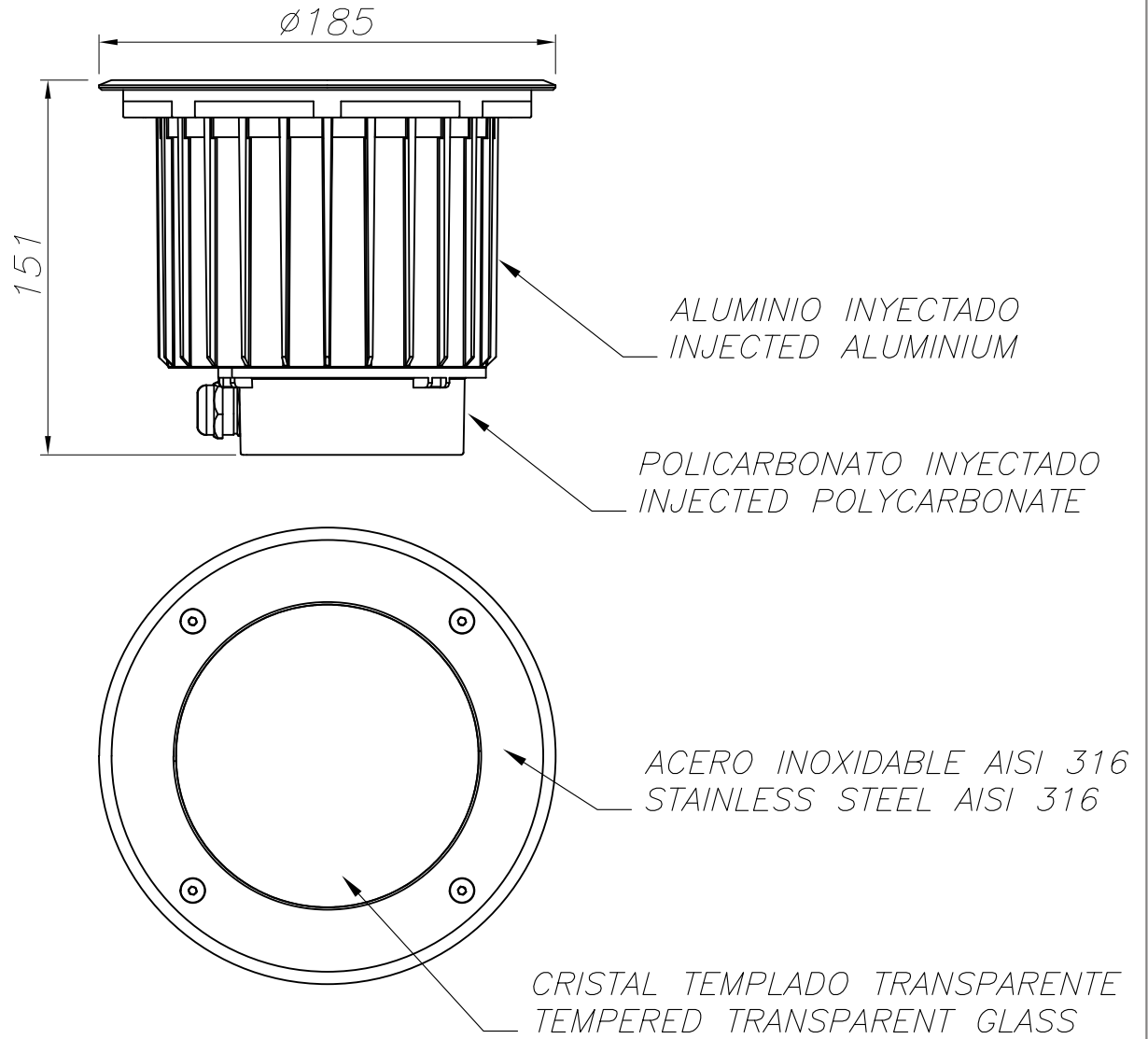
Structure finish: Polished
Black

Diffuser material: Glass

Diffuser finish: Tempered

GEAR

Multi-voltage electronic gear included (Yes)



CAJA DE EMPOTRAR
FLUSH FITTING BOX

