

**LOJER**<sup>®</sup>

Lojer and Merivaara  
**HEALTHCARE AND  
SENIOR CARE EQUIPMENT**





## ANTIMICROBIAL PRODUCTS

The Lojer Antimicrobial product range is designed to prevent microbes from spreading. Microbes travel from person to person via touch surfaces: from a person's system to their hands; from their hands to a surface; from the surface to another person's hands; and from their hands to their system. This is why we have paid special attention to critical touch surfaces in designing our products.

We aim to create solutions for maintaining a high and an extremely high level of hygiene. Antimicrobial solutions and new materials reduce the risk of infection and increase the safety of both patients and medical professionals.

We have various solutions in our antimicrobial products, for example:

### Antimicrobial upholstery

The stylish Future is an environmentally friendly and fire-safety tested upholstery material. Its antibacterial, antimicrobial and mould-proofing properties make Future an ideal material for demanding applications. The material features cutting-edge coating technology that remains on the surface and does not wear out even when cleaned. At the same time it prevents the growth of bacteria.

The advanced coating technology used in the upholstery has received ISO certifications, which constitute proof of the materials' ability to destroy viruses or prevent their growth.

### Touch-free adjustment

The height adjustment of f.ex. treatment and examination tables functions without a hand control with either a 360° foot control or a hands-free foot control. With examination tables, both the table height and the back section are adjusted with the two-piece hands-free foot control. These solutions are designed to erase or minimise manual adjustments, thereby ensuring uninterrupted care and maximum efficiency. No extra time is lost to changing gloves

or disinfecting hands, for example. Furthermore, from a safety viewpoint, there are no additional wires on the floor, and the table can be easily controlled from both sides.

### Antimicrobial powder coating

Critical frame structures and metal parts are coated with antimicrobial powder coating, which is wear and corrosion resistant. Cleanability, design and choice of materials are carefully considered in the design phase of Lojer products, and together with antimicrobial coating, they provide altogether more hygienic surfaces.

### Handles and other surfaces

With the help of the silver ion technology developed by BioCote, a leading research and development company in antimicrobial technology, we are able to give the necessary critical surfaces an antimicrobial property. These surfaces include f.ex. handles and various adjusting knobs.

### Copper and copper alloys

Copper is known to be the most efficient antimicrobial material that naturally prevents microbes from growing and spreading. Antimicrobial copper's efficiency is approved and verified by the U.S. Environmental Protection Agency (EPA). This includes also metal alloys with a copper content of over 60 %. 99.99 % of bacteria dies within two hours of touching the surface. The antimicrobial properties do not wear out or disappear with use, and the oxidation (patination) of the copper surface does not affect its antimicrobial effect. Products containing copper are safe for people and the environment, and they are entirely recyclable.

### Antimicrobial laminate

Lojer Antimicrobial products use high-pressure laminate with an impervious sheet surface. Maintenance and cleaning is easy, and the laminate can be used in machine washable products. It can also be used in products that require a high level of hygiene and have a high risk of infections spreading via the material.



# LOJER®

## Antimicrobial



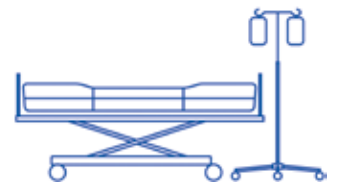
Examination tables



Medical chairs



Treatment and massage tables



Hospital beds

### Test results of antimicrobial activity and effectiveness

Sample	Test method			Result	
	Test organism	Standard		Reduction (log)	Reduction (%)
Antimicrobial powder coating	S. aureus E. coli	ISO 22196	24 h	≥3.81 ≥3.58	≥99,98 % ≥99,97 %
Antimicrobial laminate	S. aureus E. coli	JIS Z 2801		4.03 4.22	>99,99 % >99,99 %
Antimicrobial handle	S. aureus E. coli	ISO 22196	24 h	≥4.11 ≥3.88	≥99,99 % ≥99,99 %
Copper and copper alloys	S. aureus E. coli	EPA-testaus	2 h		>99,9% >99,9%
Antimicrobial upholstery	Coronavirus*	ISO 18184	60 min. 90 min.	1.14 1.32	92,74 % 95,21 %
	Coronavirus*	ISO 21702	24 h	3.5	99,97 %
	S. aureus S. aureus (MRSA) E. coli K. pneumoniae	ISO 22196	24 h	R ≥ 2**	
	S. aureus K. pneumoniae S. choleraesuis P. aeruginosa	AATCC 147	24 h	Approved	

\* Testing was performed on material exposed to feline coronavirus, Feline Coronavirus (same coronavirusidae family, structures, and mechanism as SARS-Cov2).

\*\* The test laboratory considers that the sample has an antibacterial effect from R ≥2.

#### The HygTech Alliance is a group of six Finnish companies

- Lojer Group, Abloy, Isku, Oras, Teknos and Korpinen - developing products and solutions related to hygiene management. We are the only hygiene technology alliance that provides a holistic line of antimicrobial solutions. [www.hygttechalliance.com](http://www.hygttechalliance.com)



HygTech Alliance

The design of all Lojer products focuses on high-hygiene. But there is also a special antimicrobial version available for several products. **Information of the antimicrobial version is marked on the product page.**

**Ask more about antimicrobial products from us!**

# TABLE OF CONTENTS

2 – 3	Antimicrobial Products
6	Lojer Medical Service
8 – 9	Upholstery materials and colors
<b>10</b>	<b>HOSPITAL BEDS</b>
12 – 13	Machine-washable ScanAfia X ICU W Hospital bed
14 – 15	ScanAfia XS Hospital bed
16 – 17	ScanAfia X ICU Hospital bed
18 – 19	Carena Hospital bed
20 – 21	Futura Plus Hospital bed
22	The Most Common Accessories For Hospital Beds
<b>23</b>	<b>NURSING AND CARE BEDS</b>
24 – 25	ScanAfia XHS Nursing bed
26 – 27	ScanAfia XL Nursing bed
28 – 29	ScanAfia Pro Nursing bed
30 – 31	Modux Folding Care bed
<b>32</b>	<b>TRANSPORT STRETCHERS / PATIENT TROLLEYS</b>
34 – 35	Emergo Patient Trolley
<b>36</b>	<b>BABY CRIB TROLLEYS AND DELIVERY BEDS</b>
37	Baby Crib 381
38 – 39	Optima Birthing Bed
<b>40</b>	<b>EXAMINATION TABLES AND CHAIRS</b>
42 – 43	4040X General Examination Table
44 – 45	4040XL Heavy Duty Examination Table
46 – 47	Capre E2 Examination Table
48 – 49	4050X Gynaecological Examination Table
50 – 51	Afia 4060 Gynaecological Examination Chair
<b>52</b>	<b>MEDICAL CHAIRS</b>
54 – 55	Medical Recliner Chair 6801
56 – 57	Capre RC Recovery Chair
58 – 59	Capre MC Medical Chair
60 – 61	Geriatric Recliner Chair 6700
<b>62</b>	<b>INSTRUMENT, SERVICE AND SOILED LINEN TROLLEYS</b>
<b>66</b>	<b>OPERATING TABLES</b>
68 – 69	Scandia SC440 Prime Operating Table
70 – 71	Scandia SC330 Operating Table
<b>74</b>	<b>PATIENT AND BEDSIDE CABINETS</b>
<b>78</b>	<b>SHOWERING FURNITURE</b>
<b>80</b>	<b>MATTRESSES</b>
<b>84</b>	<b>TRANSFUSION STANDS AND IV-POLES</b>
<b>86</b>	<b>CHAIRS AND STOOLS</b>
<b>90</b>	<b>LOJER SYMBOLS</b>



### The largest manufacturer of medical furniture in Scandinavia

Lojer Group is the largest manufacturer of medical furniture in Scandinavia and Finland's biggest employer in the field. The company is over 100 years old and is still privately owned. In all, the group employs 180 people in four countries, and its annual turnover is over 40 million euros. Around 60 % of the turnover comes from export business.

### High-quality Finnish manufacturing

Lojer is one of the only hospital equipment manufacturers making products almost entirely in-house, using own foundry and the latest technologies such as computer-controlled laser cutting, machining and robot welding and automatic painting lines. Lojer products are almost 80 % of Finnish content, and the high quality materials and components used are acquired from domestic and from nearby suppliers, when possible.

### Smaller carbon footprint

Lojer is actively working to downsize the company's environmental impact and carbon footprint. Since 2011 all Lojer products have been manufactured using certified electricity from 100 % renewable sources. Parts manufacturing is centralized in Sastamala factory and the number of suppliers is limited, which reduces transportation related to material purchases. Material recycling is taken into account when products are designed and

manufactured. Also warehouses have been increasingly centralized to Sastamala site, which makes it easier to combine shipments and thus reduce environmental load.

### Certified quality

Lojer was the first Nordic hospital equipment manufacturer to receive ISO 9001 certification already in 1994. In 2020, the quality system was expanded to cover also the production of the Kempele site. Lojer has also Quality Management System Certification for Medical Devices ISO 13485. Lojer medical furniture are CE marked according to the EU Medical Device Directives and international laws, and they are designed and tested according to EU medical device standards wherever applicable. Lojer was the first hospital bed manufacturer in Finland to begin having its products independently tested by the Finnish Technical Research Centre (VTT) in its medical technology laboratories. The company is continuously developing its processes, and their effectiveness is assessed regularly.

### Hollola plant with environmental certification

Caring about the environment has been a daily part of Lojer's activities for decades, and the company is committed to continually develop its environmental policy. The Hollola plant has an ISO 14001 environmental certification, covering product development, purchasing, manufacturing, packaging and shipment.





## LOJER MEDICAL SERVICE



### Service trainings

In addition to product trainings we offer service trainings to our partners. During these sessions your service personnel will get a comprehensive picture of how to maintain Lojer products. These trainings can take place either in Finland at one of our sites or in some cases also at partner's premises.



### Customer service

Our expert team is ready to help you with for example consulting of maintenance issues or choosing the right spare part. Best way to reach us is via e-mail or filling up the form at our website – normally we respond to your inquiries within the same working day. In technical problems you may also call us, our technical professionals are here to help you.



### Spare parts

Lojer's spare parts services can supply parts even for equipment that is 20–30 years old. Our fast service and own factories in Finland ensure that parts are dispatched quickly from our own logistics centre, many times even with next day delivery.




### Entire Life Cycle

Maintenance and spare parts costs are significant in comparison to original purchase costs. Lojer complements its comprehensive range of hospital equipment by offering its customers a wide range of maintenance and service solutions to keep their products in good order.

### Contact:

Fill the form at [lojer.com](https://lojer.com) » service request  
or send us email [service@lojer.com](mailto:service@lojer.com).  
You can also call us + 358 10 830 6750  
(from 8:00 AM to 16:00 PM Finnish time UTC+2:00).



Nooralotta Neziri,  
Finnish hurdler

Lojer also manufactures massage and treatment tables, medical speed pulley devices and Bobath mat tables. Ask for more info!

# UPHOLSTERY MATERIALS AND COLORS

## Future

Featuring a slightly pearlescent finish, the stylish Future is an environmentally friendly and fire safety tested upholstery material in the Lojer upholstery range. Its antibacterial, antimicrobial and mould-proofing properties make Future an ideal material for demanding applications. The material features cutting-edge coating technology that remains on the surface and does not wear out even when cleaned. At the same time it prevents the growth of bacteria (which causes smells and stains), prolonging the service life of the upholstered parts.

This extremely durable material is 3 to 6 times more durable than traditional faux leather materials (Martindale over 300 000 cycles) and highly resistant to deterioration such as cracking, splitting, and loss of flexibility. It is also waterproof and fade-resistant.

The surface coating, durability and performance of Future upholstery material has been designed specifically for the healthcare industry, where bacteria, abrasions and stains are particularly challenging. The material is easy to clean and must be cleaned frequently. It fulfills REACH chemicals regulation requirements, which proves a high emphasis level of health and environment protection. Material composition: topcoat 81% vinyl and backing 19% polyester.

## Nature

Durable, high quality Nature represents a new generation of environmentally friendly materials. The material is in accordance with the Oeko-Tex standard and therefore does not include any heavy metals or phthalates. Thanks to its biocompatibility (EN ISO 10993-5 + 10) the material is safe for the skin. The new Nature feels very comfortable and warmer on the skin than regular artificial leather. It is especially suitable for medical and physiotherapy products. Material composition: approx. 50% renewable raw materials, approx. 30% natural based raw materials and approx. 20% raw material based on crude oil.

## skai Conductive

Skai Conductive is high-quality leather like material. Both appearance and feel imitates real leather. The surface of the material is electrically conductive. Thus this material is highly recommended for medical applications where electrostatic discharged must be avoided e.g. special examinations related to heart. Material composition: approx. 90% PVC-compound and approx. 10% CO/ PES -knitted fabric.





## Future



Standard: Silver



Standard: Falls



Standard: Tomato



Standard: Beach



Carbon



Space



Pearl



Titanium



Onyx



Sapphire



Lagoon



Pistachio



Plum



Sunrise

## Nature



Night



Sea



Stone



Haze



Sand

## Skai Conductive



Mano

Material/ Specification	Resistant to oil and fat	Antibacterial	Resistant to disinfectants (according to a separate listing)	Biocompatible	Waterproof	Resistant to secretions	Flame retardant	Resistant to abrasion	Lightfast	Tear-resistant	Long-lasting	Easy to clean	Electrically conductive	Antimicrobial	Fulfills Oeko-Tex 100 standard	Environmentally friendly	Fulfills REACH requirements	Fulfills toys norm DIN EN 71-3
Future	x	x	x		x	x	x	x	x	x	x	x		x		x	x	x
Nature			x	x		x	x	x	x	x	x	x			x	x	x	x
skai Conductive			x						x	x	x	x	x				x	



# HOSPITAL BEDS

Lojer's range of easy-to-use hospital beds has been designed for improved patient comfort in general wards as well as special medical care departments. Finnish-made Lojer hospital beds are known for their sturdy, reliable and ergonomically designed construction. The beds have been designed in co-operation with intensive care professionals. There are thousands of Lojer hospital beds in use in Finland alone - the oldest are over 25 years old and still working.

# MACHINE-WASHABLE SCANAFIA X ICU W HOSPITAL BED

## HOSPITAL BEDS

The machine-washable ScanAfia X ICU W hospital bed is ideal for use in a wide range of hospital wards. It meets the bed standard EN 60601-2-52 requirements for machine washability, and fulfils the AK-BWA recommendations for machine-washable equipment and the ISO 15883 suitability standard for equipment washers / disinfectors.

*Available with electropolished stainless steel frame structure (optional) or with a painted frame and polished side rails and bed ends.*



Product pictured with electropolished stainless steel frame structure.

Scan the QR-code or read more at [www.lojer.com](http://www.lojer.com)





Main features:

- 1 Electropolished stainless steel (AISI 304) frame structure designed for exceptional long-term use (optional)
- 2 Meets the requirements of the bed standard EN 60601-2-52 also for machine washability
- 3 Includes special electrical functions such as Trendelenburg, CPR, and cardiac positions

Technical features



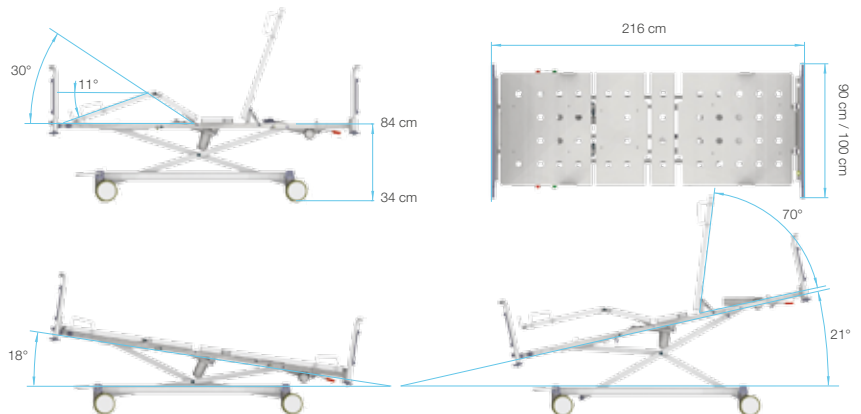
Factory-installed options:

- Electropolished stainless steel (AISI 304) frame
- IV-pole for foot end
- 5th wheel for easier maneuvering

Other accessories:

- Lifting pole with triangle handle (machine washable)
- IV-pole (machine washable)
- Extra height side rails (machine washable)
- Urine bag holder (machine washable)
- Lift support
- Dining tray
- Foldable bed end
- Extra height bed end
- Several different mattresses (recommended size 78/88 x 205 x 13 cm)

Dimensions and adjustments



# SCANAFIA XS HOSPITAL BED

## HOSPITAL BEDS

### The right choice for hospital wards

The ScanAfia XS hospital bed is the safe choice for use in hospital wards. The patented hospital bed has been designed with the needs of healthcare professionals in mind for hospitals, healthcare centres and similar facilities. The design of the ScanAfia XS places emphasis on both ergonomic working for care staff and patient comfort. The back section slide mechanism prevents the patient sliding to the foot end of the bed.

The bed's exceptional height adjustment range makes it safer and more comfortable for care staff and for patients to get in and out of bed. The ScanAfia XS has been tested to fulfil the requirements of the EN 60601-2-52 standard for medical beds.

*Excellent patient comfort, manoeuvrability and adjustability*



Scan the QR-code or read more at [www.lojer.com](http://www.lojer.com)



Main features:

- 1 Ergonomic working position thanks to impressive height adjustment range
- 2 High safe working load (SWL): 260 kg
- 3 Easy to manoeuvre thanks to its twin castors (optional)

Technical features



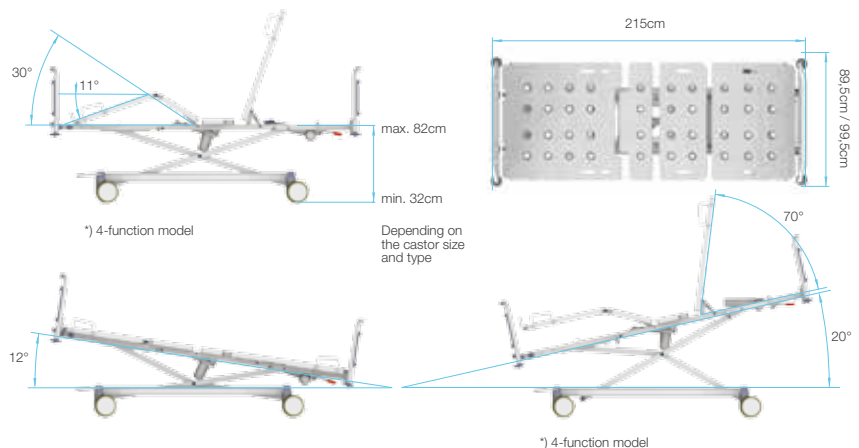
Factory-installed options:

- Battery for back-up
- 5th wheel for easier maneuvering
- 125 mm twin castors
- 150 mm twin castors

Other accessories:

- Special length (extendable +15 cm) model
- Extra height side rails
- Lifting pole with triangle handle
- Lift support
- Lift support version 2: placement outside side rails
- IV pole with one-hand quick adjustment
- Foldable bed end (works also as an auxiliary tray for linen)
- Nurse control panel
- Electric CPR
- Urine bag holder
- Reading and dining tray on top of the side rails
- Bed end (for head end of the bed)
- Monitor tray / end
- Flexible hand control holder
- Several different mattresses (recommended size 78/88 x 205 x 13 cm)

Dimensions and adjustments



# SCANAFIA X ICU HOSPITAL BED

## HOSPITAL BEDS

### The professional's choice for demanding use

The ScanAfia X ICU hospital bed has the same features as the XS model but it has been specifically designed for use in intensive care units. A nurse control panel is fitted as standard, enabling locking of functions from the patient as well as the control of electric functions such as the Trendelenburg, CPR and heart positions. The back section slide mechanism prevents the patient sliding to the foot end of the bed and improves user comfort.

Despite the Safe Working Load (SWL) of 340 kg, the ScanAfia X ICU is nevertheless easy to manoeuvre, thanks to the twin 150 mm castors fitted as standard. The bed has been designed for long-term use with low lifecycle costs. The ScanAfia X ICU fulfils the requirements of the EN 60601-2-52 standard for medical beds.

*High safe working load (SWL) of 340 kg  
improves patient safety*



Scan the QR-code or read more at [www.lojer.com](http://www.lojer.com)

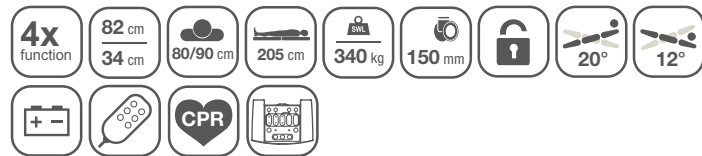




### Main features:

- 1 Very high safe working load (SWL) of 340 kg
- 2 Very easy to manoeuvre thanks to large 150 mm twin castors
- 3 Up to 20° anti-Trendelenburg adjustment for effective heart position

### Technical features



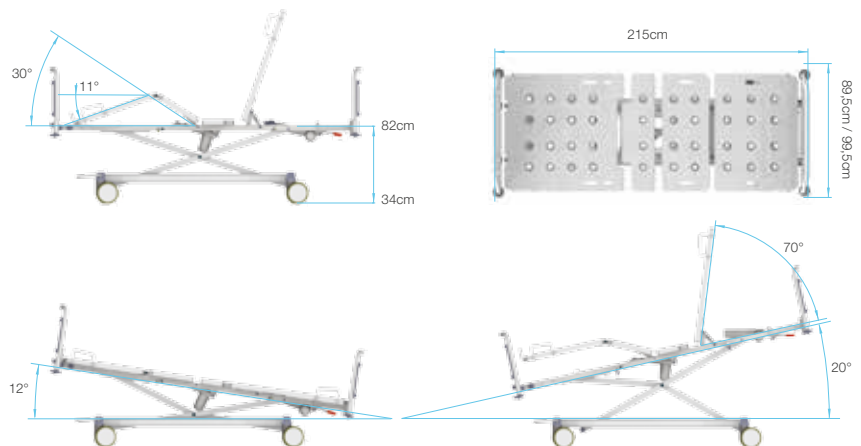
### Factory-installed options:

- 5th wheel for easier maneuvering

### Other accessories:

- Lifting pole with triangle handle
- Lift support
- IV pole with one-hand quick adjustment
- Special length (extendable +15 cm) model
- Extra height side rails
- Foldable bed end (works also as an auxiliary tray for linen)
- Urine bag holder
- Reading and dining tray on top of the side rails
- Bed end (for head end of the bed)
- Monitor tray / end
- Flexible hand control holder
- Several different mattresses (recommended size 78/88 x 205 x 13 cm)

### Dimensions and adjustments



# CARENA HOSPITAL BED

## HOSPITAL BEDS

Carena is a revolutionary hospital bed with unparalleled ergonomics for both the patient and the nursing staff. The vertical raising motion does not require additional space and the bed can be moved in even the tightest spaces. This next-generation hospital bed is equally suited for use in day surgery, emergency room, long-term or intensive care or nursing homes.



*Top-quality hospital bed originally from Merivaara. Lojer acquired Merivaara's bed business in the spring 2019.*

Product pictured with optional accessories.

3

Scan the QR-code or read more at [www.lojer.com](http://www.lojer.com)



Main features:

- 1 Safe working load (SWL) 330 kg
- 2 Simultaneous movements of different parts
- 3 State-of-the-art ergonomics for both nurse and patient

Technical features



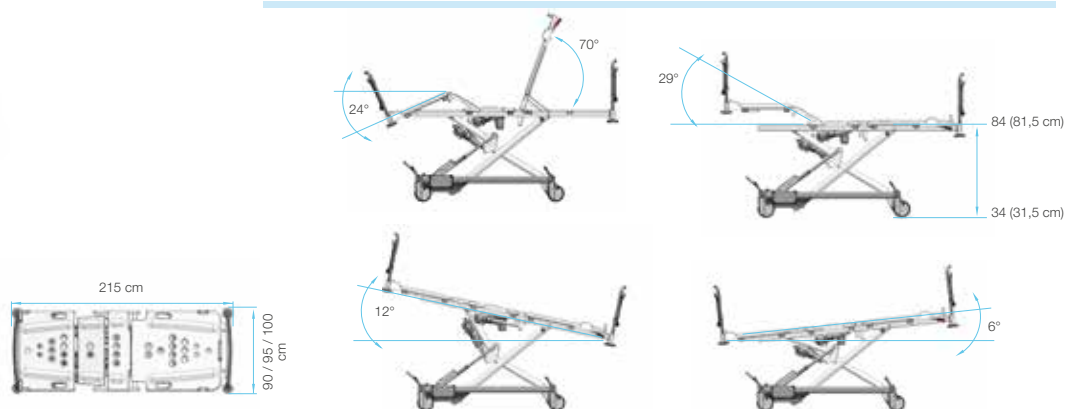
Factory-installed options:

- Extendable +30 cm leg section (for 80 and 90 cm patient surfaces), ABS-plastic
- Adjustable metal net cover
- Mattress base for X-ray (for 80 and 90 cm patient surfaces)
- Mattress stopper
- Accessory rails for back section. Not compatible with side rails.
- Ø150 mm central locking twin castors with antistatic directional wheel
- Ø200 mm central locking castors with antistatic directional wheel
- 5th wheel
- Battery for back up
- Potential equalisation system
- Foot control for height adjustment
- Extra hand control
- Lifting pole incl. parts (parts available also separately)
- Grab handle and adapter (2 pcs)

Other accessories:

- Bed end, detachable, 85 cm. Frame tube: chromed or painted grey and bed end plate color white. Other colors: light blue, light green, beech and birch
- Bed end, detachable and foldable (works as auxiliary tray for linen). Frame tube: chromed or painted grey and bed end plate color white. Other colors: light blue, light green, beech and birch
- Side rails long: chromed or painted color silver
- Side rails 3/4: chromed or painted color silver
- Journal basket
- Monitor tray
- Infusion rod with 4 hooks or attachment to the lifting pole
- Drainage bag holder
- Urine bottle holder
- Oxygen bottle holder 5kg
- Hook for electrical cable
- Several different mattresses (recommended size 75/85 x 200)

Dimensions and adjustments



2

# FUTURA PLUS HOSPITAL BED

## HOSPITAL BEDS

A true bestseller, the classic Futura Plus bed has been updated to provide even better comfort, ease-of-use and reliability than before. It is a durable and economical patient bed for hospitals, senior care units and nursing homes. Futura Plus is available with either electrical or manual adjustments. The bed is easy and comfortable to use. Sliding and ergonomic back section provides better comfort for the patient.

*Popular and classic hospital bed model originally from Merivaara. Lojer acquired Merivaara's bed business in the spring 2019.*



Product pictured with optional accessories.

Scan the QR-code or read more at [www.lojer.com](http://www.lojer.com)



### Main features:

- 1 Sliding and ergonomic back section
- 2 Frame structure differs from normal, which allows a wide angle adjustment of the leg section
- 3 Comfortable and reliable basic hospital bed

### Technical features



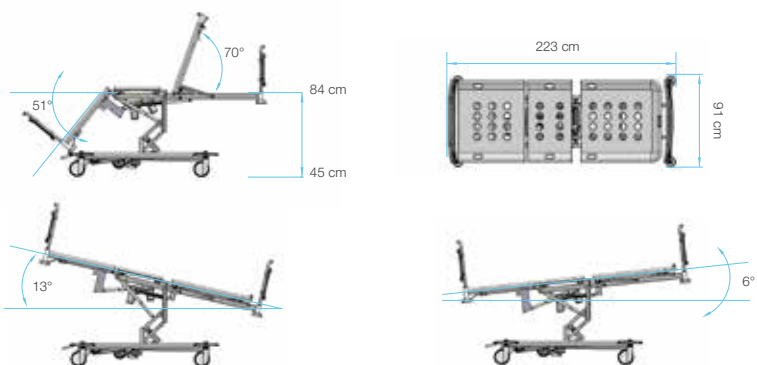
### Factory-installed options:

- Bed end, detachable
- Bed end, detachable and foldable (works as auxiliary tray for linen)
- Side rails long: chromed 1-sectional and foldable
- Side rails 3/4: chromed and foldable
- Battery for back up
- Trendelenburg
- Adapter for grab handle and patient control panel
- 4 braking pedals (two at both ends)
- Ø150 mm central locking twin castors with antistatic directional wheel
- Quick release handle for back section (CPR)
- Foot control
- Lifting pole
- Grab handle
- Attendant control panel (nurse panel)
- Patient control panel: reading light, under-bed light
- Potential equalisation system

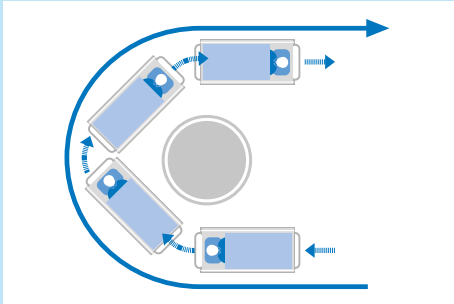
### Other accessories:

- Journal basket
- Monitor tray
- Infusion rod with 4 hooks
- Infusion rod with attachment to the lifting pole
- Drainage bag holder
- Urine bottle holder
- Oxygen bottle holder 5 kg

### Dimensions and adjustments



# THE MOST COMMON ACCESSORIES FOR HOSPITAL BEDS



5th wheel reduces turning radius



Nurse control panel



Lifting pole with triangle handle and IV-pole



Foldable bed end



Lift support / grab handle (2 different models)



Extra height side rails and bed end



Reading and dining tray on top of side rails



Flexible hand control holder



Monitor tray / end



Padded coating for the siderail



Extendable model 15/30 cm depending on the bed model



Reading and dinner table

# NURSING AND CARE BEDS



Lojer's wide range of nursing and care beds offer solutions suitable for home use and for residential facilities. For example Finland's best-selling residential care bed Modux is an award-winning, patented innovation that is ideally suited for home care and short-term use. Quality materials, in-house design and manufacturing in Finland ensure that our products have low lifecycle costs.

# SCANAFIA XHS NURSING BED

## NURSING AND CARE BEDS

The ScanAfia XHS nursing bed is the number one quality choice for the healthcare professionals. The newest bed in the product range, it has been designed to suit a variety of care environments, where design and appearance are appreciated as much as reliability and ease of use. The bed's exceptional height adjustment range makes it safer and more comfortable to use.

*Available with optional modern white oak Scandic bed ends.*



Product pictured with optional accessories.

2

Scan the QR-code or read more at [www.lojer.com](http://www.lojer.com)







Main features:

- 1 High safe working load (SWL) of 260 kg
- 2 Low bed height (from 32 cm) improves patient safety
- 3 Back section sliding mechanism prevents patient sliding downwards and improves comfort

Technical features

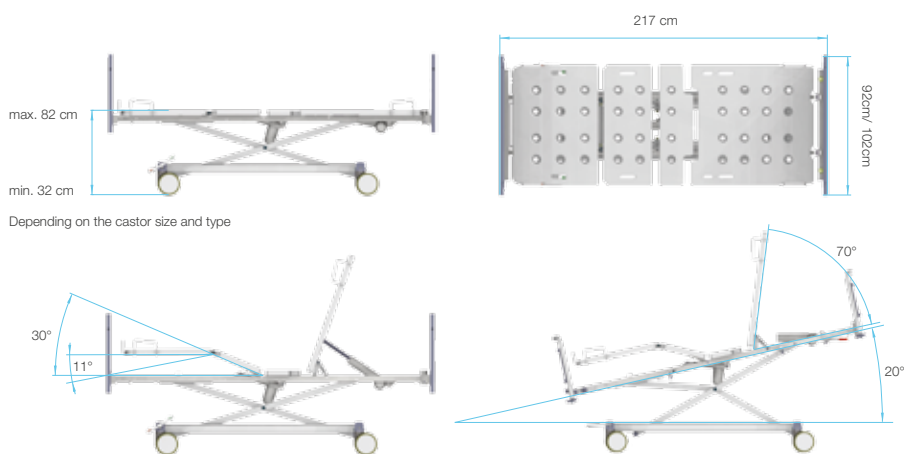
Factory-installed options:

- Anti-Trendelenburg
- Battery for back up
- Ø125 mm twin castors
- Ø150 mm twin castors
- Set of bumper rollers
- Special length (extendable 215 cm) model
- Scandic white oak bed end

Other accessories:

- Lifting pole with triangle handle
- Lift support
- IV-pole with one hand quick adjustment
- Reading lamp
- Raised side rail kit (extra height)
- Padded coating for the siderail
- Urine bag holder
- Reading and dining tray on top of side rails
- Nurse locking panel
- Flexible hand control holder

Dimensions and adjustments



Depending on the castor size and type

\*) 4-function model

# SCANAFIA XL NURSING BED

## NURSING AND CARE BEDS

### A special sized nursing bed

The ScanAfia XL nursing bed has been designed with larger patients or users in mind, who appreciate its extra width. The ScanAfia XL's patient surface is 120 cm wide, and the bed's maximum safe working load (SWL) is 285 kg. The bed features large twin castors, making it easy to manoeuvre without compromising its sturdiness.

*Style and comfort - without compromising on features*



Scan the QR-code or read more at [www.lojer.com](http://www.lojer.com)



## Main features:

- 1 Patient surface width 120 cm for increased comfort and safety
- 2 Safe working load (SWL) of 285 kg enables easy care of even larger patients
- 3 Impressive height adjustment range improves ergonomics and carer comfort

## Technical features



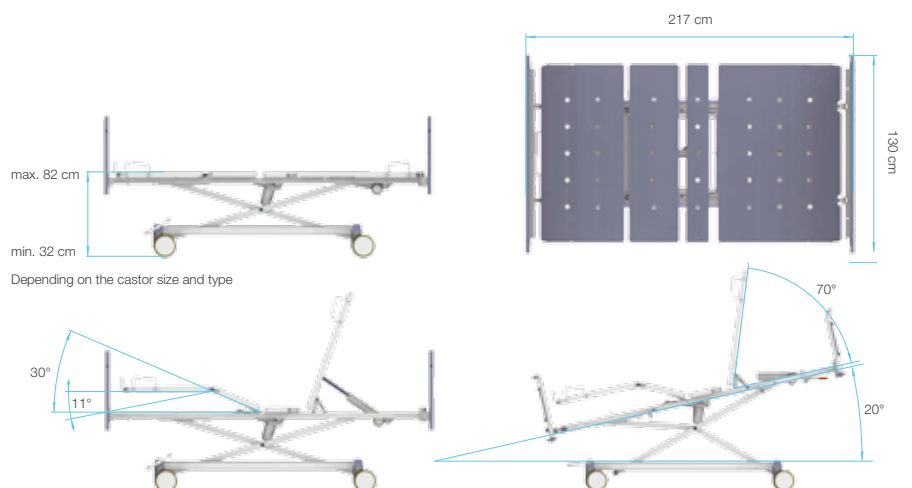
## Factory-installed options:

- Battery for back up
- Ø125 mm twin castors
- Set of bumper rollers

## Other accessories:

- Lifting pole with triangle handle
- Lift support
- IV-pole with one hand quick adjustment
- Reading lamp
- Raised side rail kit (extra height)
- Padded coating for the siderail
- Urine bag holder
- Nurse locking panel
- Flexible hand control holder
- Several different mattresses (recommended size 205 x 118 x 13 cm)

## Dimensions and adjustments



# SCANAFIA PRO NURSING BED

## NURSING AND CARE BEDS

ScanAfia Pro nursing beds are suitable for use in care homes, residential homes and home environments wherever easy to use and reliable nursing beds are required. The bed is used in nursing homes all over Finland thanks to its long lifecycle, reliability and ease of use.

*Finland's best-selling nursing bed*



Scan the QR-code or read more at [www.lojer.com](http://www.lojer.com)



3



#### Main features:

- 1 Designed for narrow doorways
- 2 Solid wood bed ends and removable, hygienic ABS-plastic base structure
- 3 Designed for long-term use with low lifecycle costs

#### Technical features



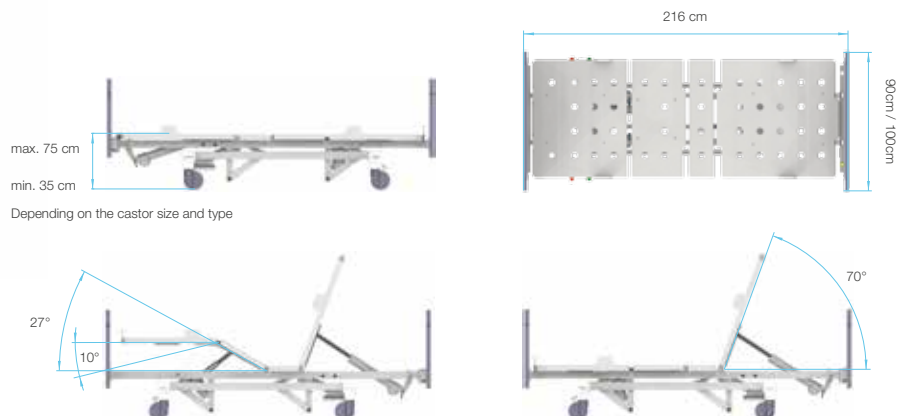
#### Factory-installed options:

- Ø125 mm twin castors
- Ø150 mm twin castors
- Extra height bed-ends and siderails (3 siderails)
- Set of bumper rollers
- Special length (extendable 215 cm) model

#### Other accessories:

- Lifting pole with triangle handle
- Lift support
- IV-pole with one hand quick adjustment
- Reading lamp
- Raised side rail kit (extra height)
- Padded coating for the siderail
- Urine bag holder
- Nurse locking panel
- Flexible hand control holder
- Several different mattresses (recommended size 78-80 or 88-90 x 205 x 9-13 cm)

#### Dimensions and adjustments



# MODUX FOLDING CARE BED

## NURSING AND CARE BEDS

### Best-selling folding care bed

The patented Modux care bed folds quickly and easily without tools. The bed folds into an extremely small space for transport or storage (60 x 90 x 127 cm). The motorised opening mechanism unfolds the bed ready for use within a few minutes by pressing one button. Modux is the perfect solution for units loaning equipment for home care, or as a flexible solution for nursing homes or even hospitals. Although Modux is a folding care bed it still has all the same features as other nursing beds, including f.ex. a very low minimum height.

*A flexible solution for long and short-term needs*

1



2



Ready for use in just a few minutes without tools

Scan the QR-code or read more at [www.lojer.com](http://www.lojer.com)

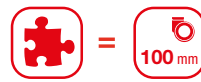




Main features:

- 1 Requires very little space (60 x 90/100 x 127 cm) when folded for transport or storage
- 2 Folds using electric motors by pressing one button, no tools required
- 3 Available in 80 cm and 90 cm widths

Technical features



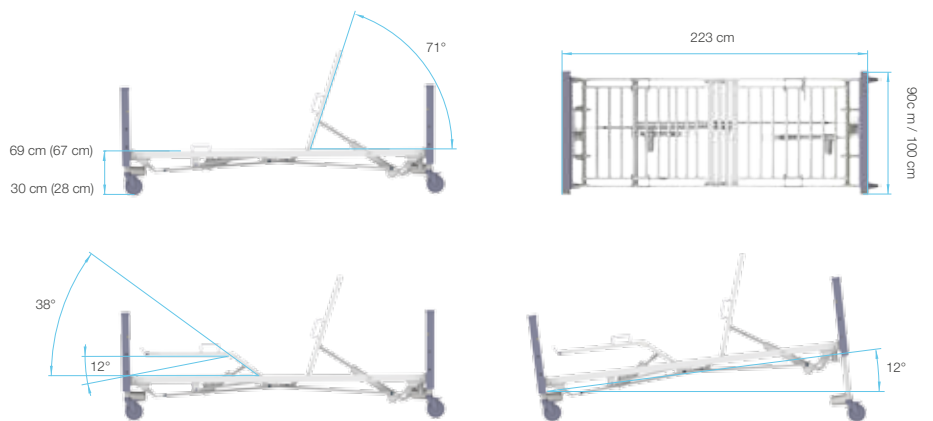
Factory-installed options:

- Ø100 mm castors

Other accessories:

- Lifting pole with triangle handle
- Lift support
- Padded coating for the siderail
- Raised siderail
- Reading and dining tray on top of siderails
- IV-pole with one hand quick adjustment
- Several different mattresses (recommended size 78-80 or 88-90 x 205 x 9-13 cm)

Dimensions and adjustments







# TRANSPORT STRETCHERS / PATIENT TROLLEYS

Versatile and very popular patient trolleys for different needs.

The multipurpose Emergo patient trolleys (stretchers) are used for patient transportation, emergency, recovery, ICU and minor procedures.

The safe and sturdy construction makes the stretchers ideal for heavy use.

# EMERGO PATIENT TROLLEY

## PATIENT TROLLEYS

The versatile range of options and adjustments ensure efficient patient transfer, patient comfort and ergonomic working positions for health-care staff. The adjustable mattress base provides comfortable positions for patients to recover eliminating unnecessary patient transfer from the trolley (e.g. in sitting position). Large, easy rolling castors provide excellent mobility and the optional fifth wheel improves overall mobility reducing the strain for the staff. Emergo has many attachment points for the IV-rod and other accessories. The wide range of accessories available will serve the demanding needs of nursing staff for many years.

### The Range

- 6250: 2-part bed section
- 6270: 2-part X-ray bed section
- 6280: 2-part X-ray bed section with subframe
- 6350: 3-part bed section
- 6370: 3-part X-ray bed section
- 6380: 3-part X-ray bed section with subframe

*Versatile and very popular patient trolley for different needs originally from Merivaara. Lojer acquired Merivaara's bed business in the spring 2019.*



Product pictured with optional accessories.

Scan the QR-code or read more at [www.lojer.com](http://www.lojer.com)



### Main features:

- 1 Modular structure that enables several different configurations
- 2 Clear and easily controllable functions
- 3 It is easy and light to carry out different care positions

### Technical features



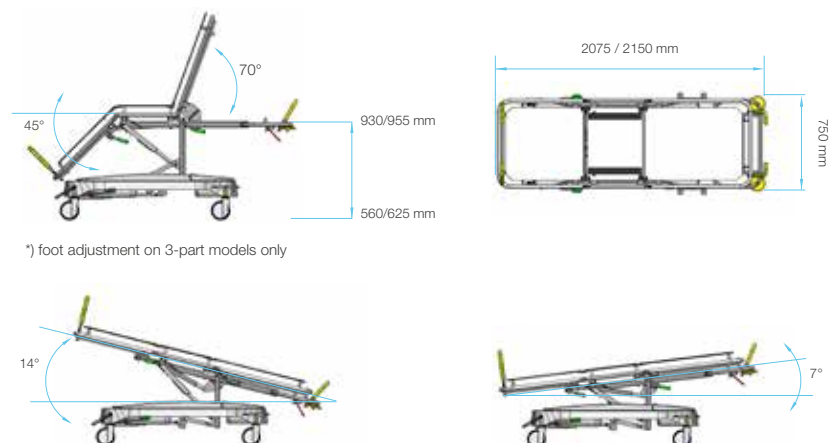
### Factory-installed options:

- Wire basket 582 under back section
- Wire basket 583 under foot section
- Oxygen bottle holder under the mattress base 2 or 5 kg
- Paper roll holder
- Central locking castors 200 mm XSP and 5th wheel
- ABS storage boxes small or large
- Fixed foldable infusion rod for subframe

### Other accessories:

- Infusion rod with 4 hooks
- Accessory rail, pair (not compatible with rails)
- Accessory basket for trolley end (requires trolley end)
- Restraining straps
- Infusion rod holder
- Trolley end
- Side rails, chromed with yellow padding
- Foldable push bar, chromed with yellow padding
- Several different mattresses

### Dimensions and adjustments



# BABY CRIB TROLLEYS AND DELIVERY BEDS

Baby crib 381 is a very popular and safe solution for newborns. Although it is easy to move to a suitable place for parents or nurses, it is very safe and sturdy.

The ergonomic, safe and mobile Optima Delivery Bed is designed for all stages of childbirth, and special care is also possible. The design of the redesigned Optima bed focuses especially on the good ergonomics, safety and mobility of the product.

# BABY CRIB 381

## BABY CRIB TROLLEYS AND DELIVERY BEDS

Baby Crib 381 is a handy aid for the nursing of newborns. The crib is easy to move and place it suitably for parents or carers. For safety reasons, the crib can be adjusted to Trendelenburg and anti-Trendelenburg positions. The baby Crib 381 is light to handle and easy to clean. Baby Cribs can be stacked together for transportation or storage. The frame is chrome plated and the crib of transparent acrylic.

*Safe and popular infant bed originally from Merivaara.  
Lojer acquired Merivaara's bed business in the spring 2019.*



### Main features:

- 1 Safe and sturdy
- 2 Easy and light to move
- 3 Easy to keep clean

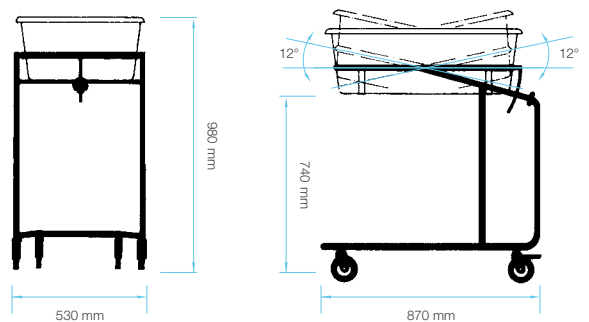
### Technical features



### Other accessories:

- Baby hygiene mattress
- Metal net accessory basket at the bottom of the bed

### Dimensions and adjustments



Product pictured with optional accessories.

Scan the QR-code or read more at [www.lojer.com](http://www.lojer.com)



# OPTIMA BIRTHING BED

## BABY CRIB TROLLEYS AND DELIVERY BEDS

Optima birthing bed family offers safe, comfortable and ergonomic childbirth during all stages of labour and also when special medical attention is required. Multiple delivery positions ensure greater level of comfort for the mother. The midwife can easily access the mother from different positions thus improving ergonomics and safety. Furthermore, the bed features electric or manual Trendelenburg for enhanced safety. Clear frame construction enables easy cleaning and high level of hygiene. Optima birthing bed can also be used for transportation within the hospital.

### The Range

- 4-motor
- 2-motor
- Hydraulic

*A popular and safe birthing bed with versatile adjustments originally from Merivaara. Lojer acquired Merivaara's bed business in the spring 2019.*



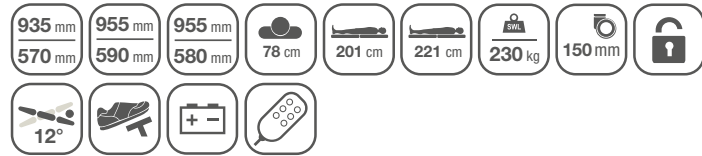
Scan the QR-code or read more at [www.lojer.com](http://www.lojer.com)



## Main features:

- 1 Enables multiple safe delivery positions
- 2 The midwife can easily access the mother from different positions
- 3 Three different Optima models for different needs

## Technical features



### Factory-installed options:

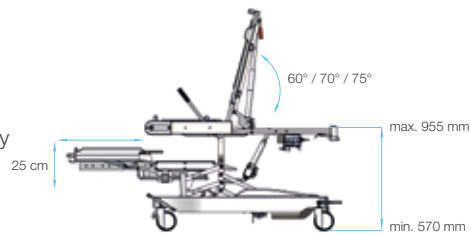
- Nurse control panel
- Foot control for back section and height adjustment
- Extra hand control
- Potential equalisation system
- Patient control panel: reading light and under-bed light

### Other accessories:

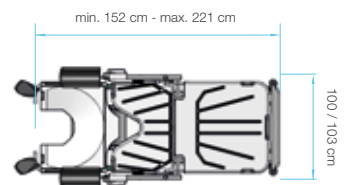
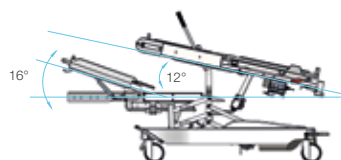
- Side rails, coated: white, beige, blue, light blue, light green and violet
- Side rails: birch-color
- Bed end detachable: frame color anti-bacterial silver and painted panel colors white, beige, blue, light blue, light green or violet
- Bed end, detachable and foldable
- Foot rests
- Pair of calf supports
- Straps for calf supports
- Squatting bar
- Basket for mattress set, wall attachment
- Journal basket
- Infusion rod with 4-hooks
- Drainage bag holder
- Urine bottle holder
- Monitor tray
- Hook for electrical cable
- Gynaecology mattress set

## Dimensions and adjustments

\*) foot section height adjustment on 4-motor model only



\*) foot section angle adjustment on 4-motor model only







# EXAMINATION TABLES AND CHAIRS

Lojer's modern, easy to use examination tables have been designed in close collaboration with healthcare professionals to best serve their needs. To ensure consistently high quality, our tables are made in Finland using the latest manufacturing methods and technology. The tables adapt to a variety of different examination and treatment scenarios, and a number of accessories from our wide range can be combined to meet different needs.

There is also an antimicrobial model available for most examination tables.

# 4040X GENERAL EXAMINATION TABLE

## EXAMINATION TABLES AND CHAIRS

### Versatile and very popular examination table

The very popular 4040X general examination table is suitable for general examinations in different healthcare facilities. Its patented construction and extremely low minimum height mean that even children and elderly patients are able to get up onto the table with ease. The table is lighter and easier to manoeuvre than traditional examination tables. The new motor technology allows for back section height adjustment electrically or manually, if required.

The widest height adjustment range on the market and a high load capacity enable comfortable, efficient working for care providers and increase safety when examining or moving patients. The table features a paper roll stand and cutter as standard, as well as an adapter for fitting an IV-stand (6 possible fitting positions). A hands-free height adjustment bar is available as an option, enabling the table height and back section to be adjusted from both sides of the table by foot.

*The widest height adjustment range on the market  
– minimum height just 40 cm.*



Product pictured with optional accessories.

Scan the QR-code or read more at [www.lojer.com](http://www.lojer.com)



Main features:

- 1 Market-leading height adjustment range 40–95 cm
- 2 Simple frame construction enable easy cleaning and high level of hygiene
- 3 New motors lower using gravity, improving safety for patients and users

Technical features



Factory-installed options:

- Two-piece hands-free adjustment bar for height and back section
- Trendelenburg
- Battery for back up
- Central locking twin castors Ø125 mm

Other accessories:

- Side rails
- IV-pole
- Arm rest
- Neck cushion
- Examination light
- Push handles
- Adapter for accessories
- Accessory rail 380 mm x 10 mm x 25 mm (max. 6 pcs)
- All accessories fitted to accessory rail fixing
- Anaesthesia frame
- Foot control for height adjustment

Future

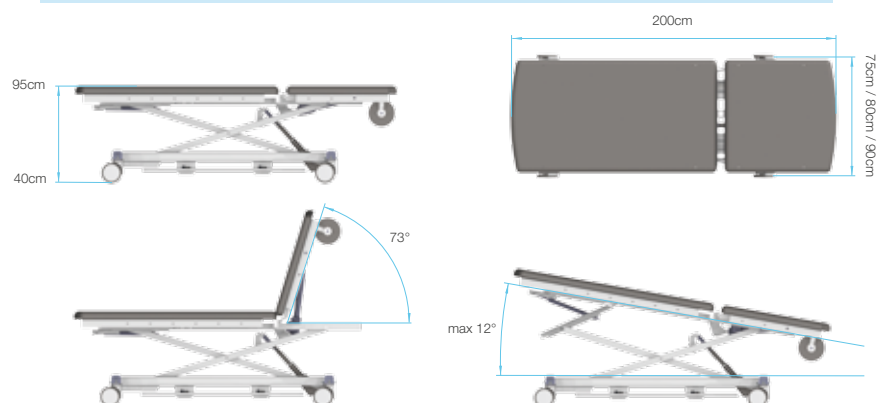


Nature



skai Conductive ■ Read more about upholstery on pages 8 and 9.

Dimensions and adjustments



# 4040XL HEAVY DUTY EXAMINATION TABLE

## EXAMINATION TABLES AND CHAIRS

The innovative 4040XL is an excellent choice for all healthcare facilities that need to treat also overweight and obese patients. Its patented construction and extremely low minimum height ensure that even patients with wheelchair or obese patients are able to get up onto the table with ease. The widest height adjustment range on the market and a high safe working load enable comfortable and efficient working for care providers and increase safety when examining or moving patients. The wide patient surface of 90 cm together with a thick upholstery provide very pleasant experience for the patient.

*An innovative general examination table for demanding use*



Product pictured with optional accessories.

Scan the QR-code or read more at [www.lojer.com](http://www.lojer.com)



Main features:

- 1 The patient surface width (up to 100cm) together with a thick upholstery ensure a pleasant experience
- 2 A very high safe working load (SWL) of 300kg and new features improve patient safety
- 3 Height adjustment range of 42 – 97 cm helps patients and makes working more ergonomic

Technical features



Factory-installed options:

- Two-piece hands-free adjustment bar for height and back section adjustment
- Electric Trendelenburg and anti-Trendelenburg (battery included)
- Battery for back-up
- Central locking twin castors Ø125 mm / Ø150 mm
- Patient surface width 80 cm and 100 cm

Other accessories:

- Side rails
- Foot control (FS32)
- Accessory rail
- Examination light
- IV-pole
- Neck cushion
- Push handles
- Anaesthesia frame
- Arm support
- Adapter for accessories
- Clamps
- All accessories fitted to accessory rail

Future

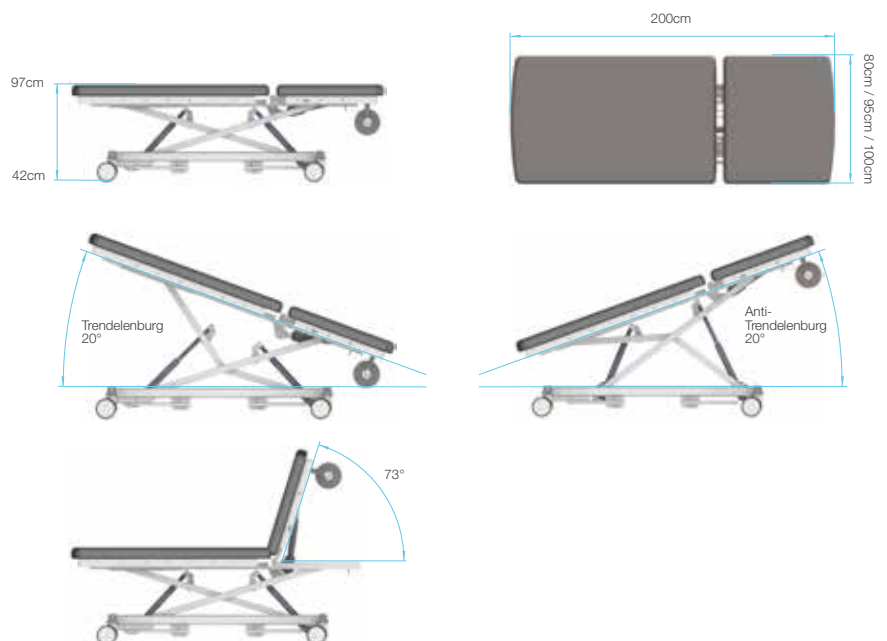


Nature



skai Conductive ■ Read more about upholstery on pages 8 and 9.

Dimensions and adjustments



# CAPRE E2 EXAMINATION TABLE

## EXAMINATION TABLES AND CHAIRS

### Sturdy and modern examination table

Unique design of Capre will delight even demanding customers and will upgrade the interior of all kind of medical premises. Examination tables are typically placed in examination rooms with rarely need for manoeuvring – large castors are therefore many times unnecessary. When Capre is in use, it stands firmly on rubber feet and is therefore extremely sturdy. Tables can be equipped with several different accessories, such as side supports, anaesthesia frame and sampling arm rest, to meet customers' demands. Height adjustment is convenient with an optional 360° height adjustment foot bar. There are three Lojer Capre Examination table models available. The Lojer Capre E1 examination table features a one-part tabletop and the Lojer E2 examination table a two-part tabletop. Lojer E2H is a hydraulic model.

### *Renewed sturdy and versatile examination table*



Product pictured with optional accessories.

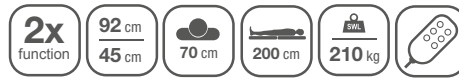
Scan the QR-code or read more at [www.lojer.com](http://www.lojer.com)



Main features:

- 1 Modern, unique look for demanding design projects
- 2 Stands firmly on non-marking rubber feet and thus making the table extremely sturdy
- 3 Good number of options and accessories, which makes the table versatile and multifunctional

Technical features



Factory-installed options:

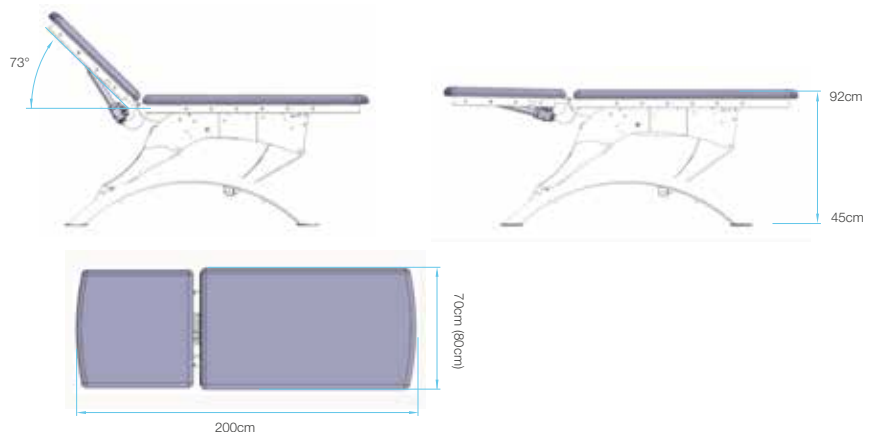
- Foot control for height adjustment to E1 (incl. hand control)
- Foot control for height and back section adjustment to E2 (incl. hand control)
- Gas spring assisted back section adjustment to E2 (incl. hand control for height adjustment)
- 360° height adjustment foot bar for E1 and E2 (incl. safety switch and hand control)
- Safety switch
- Patient surface width 80 cm
- Central locking Ø75mm castors
- Battery back-up (incl. safety switch)

Other accessories:

- Anaesthesia frame
- Extra adapter for IV-pole and Anaesthesia frame (6 fixings for installation)
- Accessory rail (max. 6 pcs)
- Examination lamp with Lojer adapter (6 fixings for installation)
- Examination lamp with rail clamp (can be attached to accessory rails on the sides of the table)
- IV-pole
- Neck cushion
- Paper roll holder
- Sampling arm rest
- Side rails

- Future
- Nature
- skai Conductive
- Read more about upholstery on pages 8 and 9.

Dimensions and adjustments



# 4050X GYNAECOLOGICAL EXAMINATION TABLE

## EXAMINATION TABLES AND CHAIRS

The 4050X gynaecological examination table is the most versatile examination table in our range. It is particularly well suited for gynaecological examinations, but it can also be used in minor procedures and general examinations. The 4050X gynaecological examination table features a three-piece table top with seat section, middle section and back section adjustments. Seat, middle section and height can be adjusted from the front of the table using the new gynaecological foot control set (F model), which makes healthcare personnel's work more hygienic and effective.

There are two models of 4050X available. The 4050X M has a smaller number of features, whereas 4050X F is more extensive - f.ex. it has a hand control with memory slot, electric seat adjustment and the new gynaecological foot control set.

*Hygienic easy-to-use examination table  
for multiple purposes*



Scan the QR-code or read more at [www.lojer.com](http://www.lojer.com)





Main features:

- 1 Easy to adjust entirely hands-free, which makes healthcare personnel's work more hygienic and effective
- 2 Designed especially for gynaecological examinations, but it's suitable also for minor procedures and general examinations
- 3 New features that improve usability, comfort and patient safety

Technical features



Factory-installed options:

- Trendelenburg and anti-Trendelenburg including battery
- Central locking castors Ø125 or Ø150 mm
- Central locking conductive twin castors Ø 150 mm
- Two-piece hands-free adjustment bar for height and back section adjustment
- Foot pedal for height and back section
- Battery for back-up

Other accessories:

- Pair of calf supports, white plastic (for minor procedures). Includes rapid clamps and fastening straps.
- Pair of calf supports, black moulded cushion (for long-term procedures). Includes rotation clamps and fastening straps.
- IV-pole straight or bended
- Accessory rail
- Rapid clamp Ø 20 mm
- Side rail
- Anaesthesia frame
- Push handles
- Examination lamp (attachment to accessory rail or to the frame)
- Neck cushion
- Arm support for sampling
- Adapter for fitting an IV-stand (4 fixings)

Future

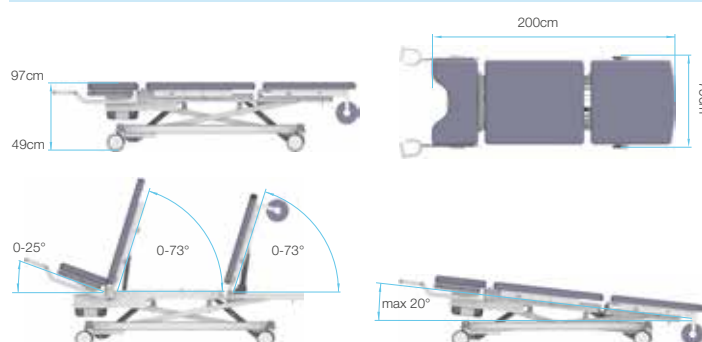


Nature



skai Conductive ■ Read more about upholstery on pages 8 and 9.

Dimensions and adjustments



# AFIA 4060 GYNAECOLOGICAL EXAMINATION CHAIR

## EXAMINATION TABLES AND CHAIRS

The Afia 4060 is an easy to use examination chair that has been developed specifically for gynaecological and urological procedures. It features a two-part top, flexible and easy to use adjustment options and a good level of equipment as standard, such as a neck pillow and paper roll holder. The chairs are available in several upholstery options and colors.

The 4060 features electric height adjustment as well as seat section and back section adjustment with a hand control. The chair can also be used in the Trendelenburg position.

*Flexible and easy adjustments for small spaces*



Product pictured with optional accessories.

Scan the QR-code or read more at [www.lojer.com](http://www.lojer.com)

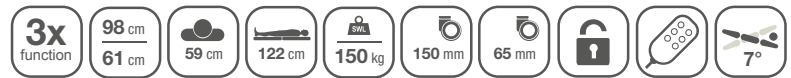




Main features:

- 1 Motorised height, back section and seat section adjustment
- 2 Requires little space: overall length 140 cm
- 3 Motorised Trendelenburg adjustment

Technical features



Factory-installed options:

- Arm supports / stand-up supports
- Foot controller for height adjustment
- Calf supports

Other accessories:

- Cutter for paper roll holder

Future



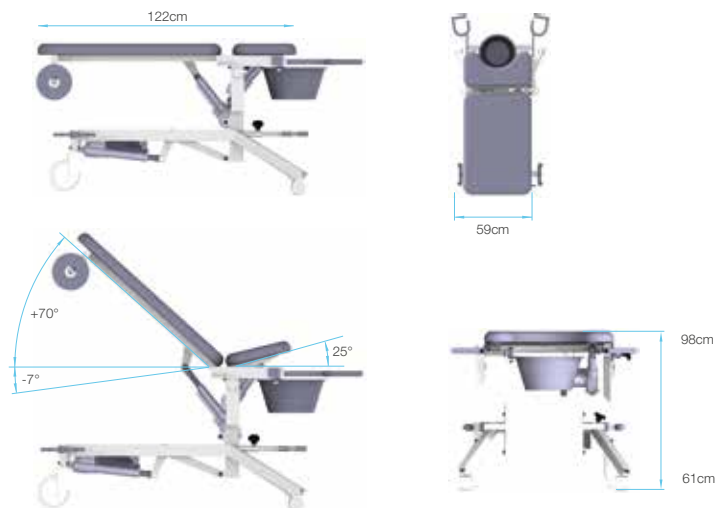
Nature

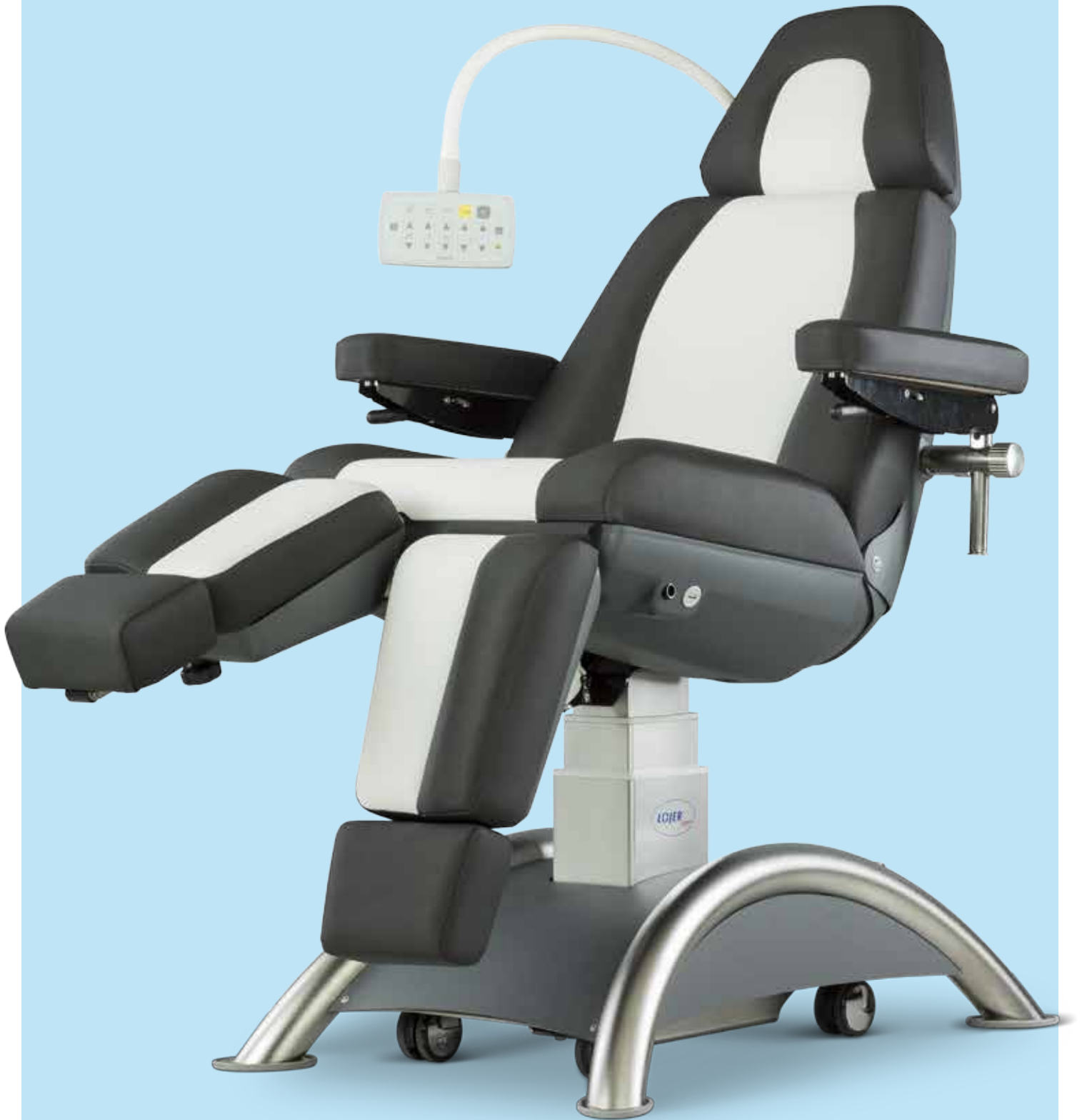


skai Conductive

■ Read more about upholstery on pages 8 and 9.

Dimensions and adjustments





# MEDICAL CHAIRS

The Lojer Capre chair range offers a unique, highest quality solution for recovery after day surgery, dialysis and cytostatic treatment, and general examinations. The versatile Capre chairs help bring quality to any facility and improve the comfort of patients during treatment.

Lojer's Medical Recliner Chair 6801 is a renewed and versatile hygiene patient chair for examinations and procedures in clinics, medical centres and hospitals. Geriatric nursing chair 6700 is comfortable for seniors, and easy to use and manoeuvre for those caring for them.

# MEDICAL RECLINER CHAIR 6801

## MEDICAL CHAIRS

The renewed hygiene patient chair 6801 is designed for medical examination, sampling and patient transfers. Special attention has been paid to the design, adjustability and ergonomics of the chair seat from both the nurse's and the patient's perspective. The chair has excellent mobility thanks to Ø125 mm castors. The stepless back and leg section adjustments make the care work easier. The chair tilts into fully reclined position easily with the help of gas springs, and it can be lifted to the desired height hydraulically using the foot pump.

*Renewed and versatile hygiene patient chair*



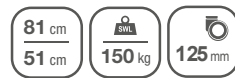
Scan the QR-code or read more at [www.lojer.com](http://www.lojer.com)



Main features:

- 1 Extensive range of adjustments (head and backrest, leg section, height)
- 2 Easy to clean hygiene chair with seamless antimicrobial upholstery
- 3 Comfortable to sit on - thanks to ergonomically shaped seat

Technical features



Factory-installed options:

- Calf support length adjustment 130 mm

Other accessories:

- Arm rest for sampling
- Durable hygiene pillow for sampling 35x45cm (50045)
- IV-pole (60121AMI) and adapter
- Fixed Ø300 mm wheels in front

Future



Nature



Read more about upholstery on pages 8 and 9.

Dimensions and adjustments



# CAPRE RC RECOVERY CHAIR

## MEDICAL CHAIRS

### For recovery after day and short-stay surgery

The luxurious Capre multipurpose chair has been designed together with surgeons to fulfil the demands of today's healthcare processes in post-day surgery recovery. The chair is used instead of the traditional hospital bed in order to improve patient vitality during recovery.

The Capre chair features pleasantly contoured upholstery, individual adjustment possibilities (with up to five motors) and built-in comforts, such as a tablet pc stand and reading light. All of this combines to improve patients' quality of life during recovery, while also improving the quality image of the healthcare facility. The control system allows independent adjustment of the chair height, back section, seat angle and leg sections. The leg section is split and motorised. Both the head section and the split leg section also feature a length adjustment mechanism. The chair features a Trendelenburg position as well as three pre-programmed treatment positions (chair, beach chair and flat lying surface) and a user memory position. If needed, the chair can also be set to either lying down or resuscitation position by pressing one button.

*Versatile adjustments according to the patient's needs*



Scan the QR-code or read more at [www.lojer.com](http://www.lojer.com)







Main features:

- 1 Modern eye-catching design and anatomically shaped upholstery enhance patient comfort
- 2 Four pre-programmed positions and one user-programmable position
- 3 Adjustable multi-function armrest (height and angle adjustment and rotation)

Technical features



Factory-installed options:

- Electric foot control
- Electric foot control for Trendelenburg adjustment
- One or two-colored upholstery
- Arm rest for sampling
- Battery for back-up

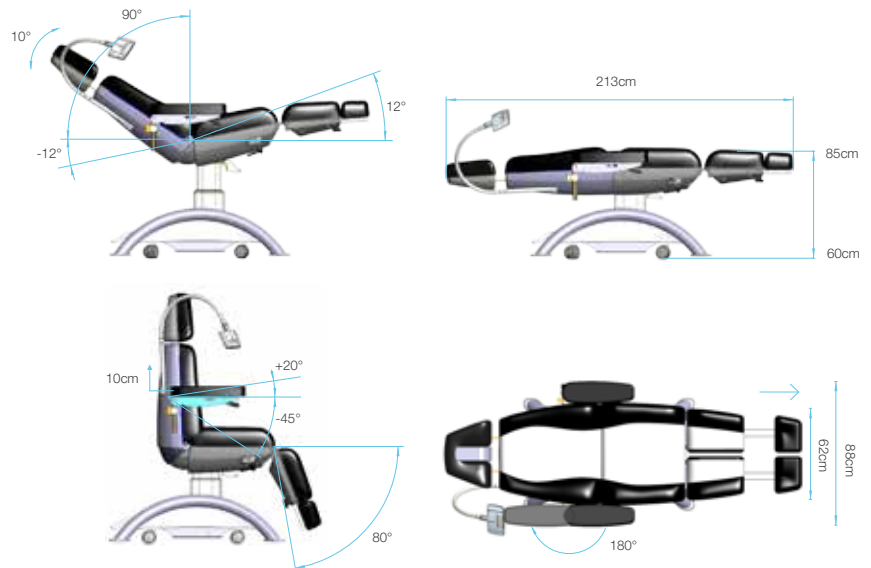
Other accessories:

- Tray
- Flexible tablet stand
- LED light (usb)
- IV pole with one-hand adjustment

Future

Read more about upholstery on pages 8 and 9.

Dimensions and adjustments



# CAPRE MC MEDICAL CHAIR

## MEDICAL CHAIRS

### More patient comfort for demanding treatment procedures

The luxurious Capre multipurpose chair has been designed together with surgeons to fulfil the demands of today's healthcare processes in for example dialysis and cytostatic treatments. Thanks to its modular structure, the chair is suitable for use also as a medical examination chair. The chair features a Trendelenburg position as well as three pre-programmed treatment positions (chair, beach chair and flat lying surface) and a user memory position. If needed, the chair can also be set to either lying down or resuscitation position by pressing one button.

The MC model differs from the RC recovery chair in that the chair has a one-part motorized leg section and an optional adjustable footrest.

*Excellent ergonomics and versatile adjustments*



Scan the QR-code or read more at [www.lojer.com](http://www.lojer.com)



### Main features:

- 1 Modern eye-catching design and anatomically shaped upholstery enhance patient comfort
- 2 Four pre-programmed positions and one user-programmable position
- 3 Optional footrest that the patient can adjust

### Technical features



### Factory-installed options:

- Electric foot control
- Electric foot control for Trendelenburg adjustment
- One or two-colored upholstery
- Arm rest for sampling
- Battery for back-up

### Other accessories:

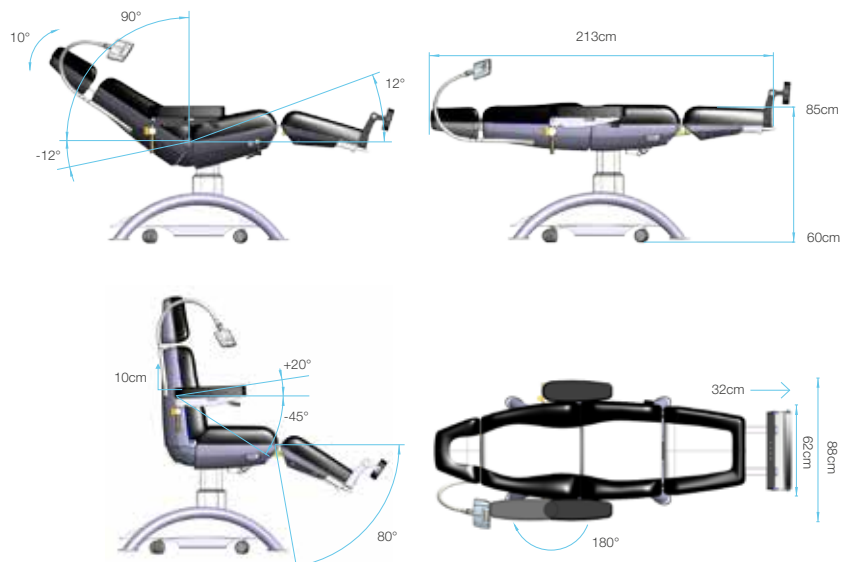
- Tray
- Flexible tablet stand
- LED light (usb)
- IV pole with one-hand adjustment
- Plastic covers for leg section

### Future



Read more about upholstery on pages 8 and 9.

### Dimensions and adjustments



# GERIATRIC RECLINER CHAIR 6700

## MEDICAL CHAIR

The upgraded geriatric recliner chair 6700 is of high quality, versatile and designed for the needs of care work professionals. Above all, special attention has been paid to sitting comfort, stability and functionality when designing the renewed geriatric chair. Ø125 mm castors make the chair easy to move around. For more challenging conditions - such as outdoor use - you can choose optional Ø300 mm front castors. 6700's upholstery fulfills even the most tightest requirements and is also suitable for outdoor use.

*Top-quality geriatric hygiene chair  
designed for care work professionals*



Scan the QR-code or read more at [www.lojer.com](http://www.lojer.com)



Main features:

- 1 The ergonomic seat together with versatile adjustments enable comfortable sitting
- 2 Hygiene chair with extremely durable Future upholstery
- 3 Suitable also for outdoor use (optional large Ø300 mm front castors)

Technical features



Other accessories:

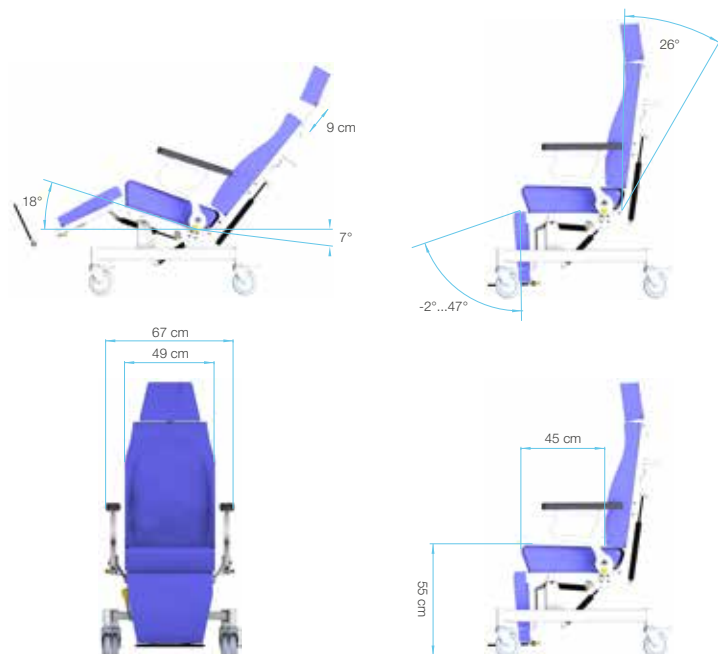
- Pair of neck supports (color Falls or Carbon)
- Pair of body supports (color Falls or Carbon)
- Seat belt
- IV-pole (60121AMI) and adapter
- Ø300 mm castors in front

Future



Read more about upholstery on pages 8 and 9.

Dimensions and adjustments



# INSTRUMENT, SERVICE AND SOILED LINEN TROLLEYS

There are several different trolleys in our selection, for example instrument, service, courier, sample or linen trolleys. All our trolleys are made of high quality materials and are very durable.

The soiled linen trolleys have three different models to choose from.



### Instrument trolley 609

Frame with chromed steel tube. Two detachable stainless steel plates (40 x 60 cm). 75 mm castors make the trolley easy to move. The trolley can be placed under a 80 cm high worktop. Size: 75 x 60 x 40 cm (H x L x W). Castors Ø 75 mm.

### Instrument trolley 611 with a drawer

Frame with chromed steel tube. Two detachable stainless steel plates (40 x 60 cm). 75 mm castors make the trolley easy to move. Underneath the upper plate there's an easy-to-clean, plastic accessory box that can be opened on both sides. The trolley can be placed under a 80 cm high worktop. Size: 75 x 60 x 40 cm (H x L x W). Castors Ø 75 mm.



### Ward trolley 262

Frame with chromed steel tube and a push handle. Two solid stainless steel plates (40 x 60 cm). Big 100 mm castors make the trolley easy to move. Includes an accessory box of easy-to-clean plastic. The box can be opened on both sides. Size: 78 x 60 x 40 cm (H x L x W) / Size to push handle: 92 x 69 x 40 cm (H x L x W). Castors Ø 100 mm.

### Service trolley 285

Frame is stainless steel. Two solid stainless steel plates (55 x 80 cm) with edges to prevent items from falling. Push handle. Big 125 mm castors (2 lockable) of corrosion resistant material. Size: 90 x 80 x 55 cm (H x L x W). Castors Ø 125 mm.





### Courier trolley 265

Frame with chromed steel tube and a push handle. Baskets (2 pcs) are epoxy-coated steel wire. Big 100 mm castors. The upper basket in Courier trolley 265 is 6-sectional. Size: 75 x 94,2 x 50 cm (H x L x W) / Size to push handle: 94 x 94,2 x 50 cm (H x L x W). Castors Ø 100 mm.

### Courier trolley 266

Frame with chromed steel tube and a push handle. Baskets (2 pcs) are epoxy-coated steel wire. Big 100 mm castors. Size: 75 x 94,2 x 50 cm (H x L x W) / Size to push handle: 94 x 94,2 x 50 cm (H x L x W). Castors Ø 100 mm.



### Linen trolley 270

Frame with chromed steel tube. Four twin baskets of epoxy-coated steel wire, designed to fit both mechanically and manually folded linen. Size: 128 x 101 x 47 cm (H x L x W) / Size to push handle 137 x 101 x 47 cm (H x L x W). Castors Ø 100 mm.

### Samples trolley 255

Frame with chromed steel tube. Push handle. Detachable plastic boxes with edges to prevent items from falling. Size: 85 x 62 x 37,8 cm (H x L x W). Castors Ø 75 mm.







### Soiled Linen Trolley 290

Trolley for two sacks. Base supports and sack fastening mechanism. Frame with chromed steel tube. Designed for 100 - 150 liter fabric or plastic bags. Size: 107 x 80 x 46 cm (H x L x W). Castors Ø100 mm. Accessories: Lid.

### Soiled Linen Trolley 291

Trolley for one sack. Base supports and sack fastening mechanism. Frame with chromed steel tube. Designed for 100 - 150 liter fabric or plastic bags. Size: 100 x 53 x 46,5 cm (H x L x W). Castors Ø175 mm. Accessories: Lid.



### Soiled Linen Trolley 292

Trolley for one sack. Base support, sack fastening mechanism and foot pedal. Lid. Push handle. Designed for 100 - 150 liter fabric or plastic bags. Size: 100 x 53 x 46,5 cm (H x L x W). Castors Ø125 mm.



# OPERATING TABLES

Lojer operating tables bring the best features on the market to surgeons and operating theatre staff in hospitals all around the world. Lojer operating tables are designed and manufactured in Finland using the highest quality materials and components. Lojer has almost 30 years of experience in developing hospital equipment, working closely in research and design with professionals in the field.

Furthermore, Lojer manufactures a wide range of top-quality operating table accessories. With our range of versatile accessories, we can supply a complete solution for each customer's individual needs.

# SCANDIA SC440 PRIME OPERATING TABLE

## OPERATING TABLES

The Scandia SC440 Prime is an excellent choice when you are looking for a high-quality and versatile operating table for day and short-stay surgery. The electric operating table has all the functionalities and versatility that is required in surgical procedures – and with an excellent price-quality ratio.

As an example of high quality the new motor technique allows simultaneous movements of different sections when using pre-programmed or zero position – making it faster to adjust the table.

*Electric operating table for day and short-stay surgery*



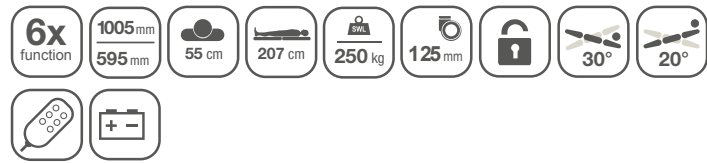
Scan the QR-code or read more at [www.lojer.com](http://www.lojer.com)



### Main features:

- 1 The table can be easily modified into several kind of surgery positions
- 2 Simultaneous movements of different sections when using pre-programmed or zero position
- 3 An excellent price-quality ratio

### Technical features



### Factory-installed options:

- Electric sliding top (300 mm)
- X-ray cassette tunnel + cassette holder (back and leg section)

### Other accessories:

- Dozens of different accessories (including clamps, supports, parts, mattresses)

### Dimensions and adjustments



# SCANDIA SC330 OPERATING TABLE

## OPERATING TABLES

Electro-hydraulic operating table for all types of surgical procedures

The Scandia SC330 is a modern electro-hydraulic operating table offering market-leading functionality, adaptability and design. The Scandia operating table is suitable for all types of surgical procedures. The Scandia is a reliable, easy to use long-term solution for the operating theatre. The modular table top has been designed to follow the joints in a person's body, providing optimum support for whatever surgical procedure is taking place.



Product pictured with optional accessories.

Scan the QR-code or read more at [www.lojer.com](http://www.lojer.com)



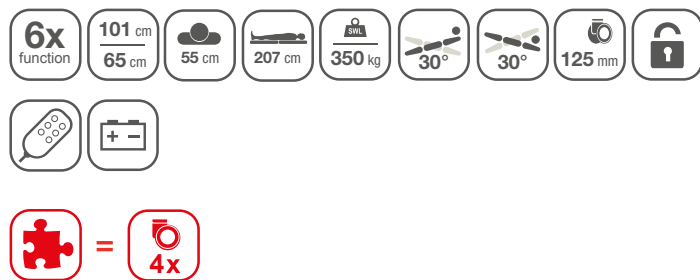
### Main features:

---

- 1 Three twin castors allow easy manoeuvring and rotating the table around in place
- 2 Small hand control that can be used with one hand
- 3 Table-top sections can be easily changed according to the needs of different procedures

### Technical features

---

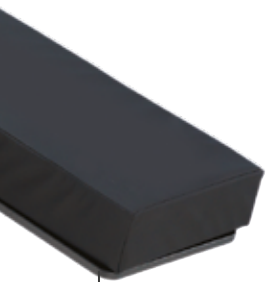
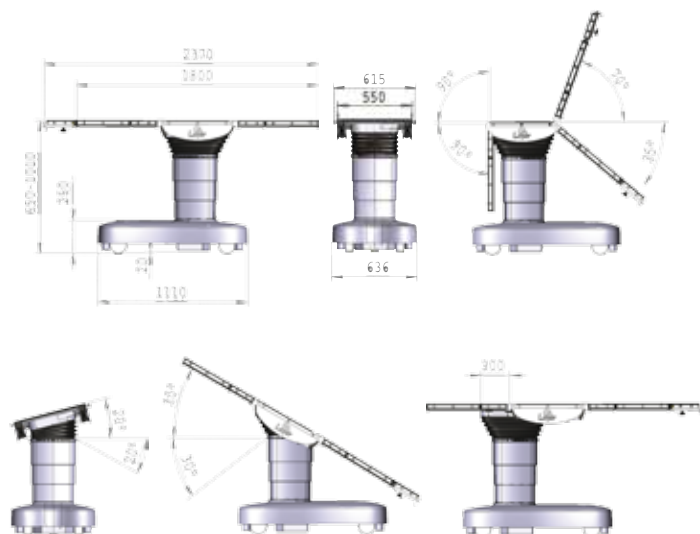


### Factory-installed options:

- 4th castor
- Stainless steel base and column covers
- Motorised driving wheel system
- Sliding table-top 300 mm
- Bluetooth hand control
- Dozens of different accessories (including clamps, supports, parts, mattresses)

### Dimensions and adjustments

---



# OPERATING TABLE ACCESSORIES

This competitive selection of accessories is designed to complement operating tables in surgical procedures. Highly regarded by customers around the world, Lojer Group is your reliable, trusted partner for operating table accessories. With a comprehensive range of quality products made in our own factories in Finland, reliable worldwide delivery service and over 30 years of expertise, Lojer represents guaranteed cost-effectiveness for the customer.

The design of Lojer's products focuses on usability, ergonomic working and patient comfort, and easy cleaning. We are continually investing in the user-oriented development of accessories for operating tables, creating innovative solutions for our customers' needs. Our range is also constantly expanding.





Check out also the Operating Table Accessories brochure!





# PATIENT AND BEDSIDE CABINETS

A good bedside cabinet can have a positive impact on patient comfort whilst making nursing work easier. A stylish bedside cabinet is also an interior design element. Lojer's range of bedside furniture represents quality Finnish workmanship and complements different types of beds.



## Bedside Cabinet 2020

The frame of the cabinet table is white epoxy-coated steel. The drawer front panel is available as standard in birch or beech. The surface tops are IKI high pressure laminate with rounded corners. The height of the meal tray is easy to adjust and it can be changed between left-handed and right-handed use without need for tools. The cabinet has four lockable castors, a safety limiter to avoid the risk of the drawers being pulled out and a slipper rack as standard. Size (W x D x H): 49 x 57 x 90 cm. **Accessories:** Meal tray that can be tilted | Chrome-plated side basket | Nurse calling device adapter attachment | Lock for the top drawer

ALSO AVAILABLE AS  
ANTIMICROBIAL MODEL

**LOJER**® Antimicrobial

## Bedside Cabinet 2040

The frame of the cabinet is available in either solid birch or solid beech. The matching colour surface top is made of IKI high pressure laminate with rounded corners and birch or beech edges. The meal tray height is easily adjustable. The cabinet features four locking castors and a possibility to attach a nurse call system. A slipper rack is featured as standard. Size (W x D x H): 48 x 57 x 90 cm.

**Accessories:** Meal tray that can be tilted | Chrome-plated side basket | Nurse calling device adapter attachment | Lock for the top drawer



## Bedside Cabinet 2300

Lojer bedside cabinet 2300 is a trendy looking cabinet for home-like care. It is made of massive wood with white oak and beech design. Size (W x D x H): 40 x 50 x 65 cm. **Accessories:** Lock for the drawer | locking castors (height changes into 73 cm) | Metal slide rails



## Bedside Cabinet Nova

The functional, safe and stylish Nova bedside cabinets are suitable for both hospitals and nursing homes. Thanks to its pull-through drawers, the cabinet can easily be used from both left and right-hand-side. Nova Bedside Cabinet is easy to handle and keep clean. Easy-gliding castors enable excellent and silent mobility. The color of the cabinet is light grey (melamine) and as an option also stained beech melamine is available. Rounded edges and balanced construction ensure safe use also when using the reading / dinner table. The angle of the reading and dinner table is adjustable. Size (W x D x H): 66 x 45 x 86 cm.

**Accessories:** Table-top cover of ABS-plastic

## Reading and Dinner Table Nova 2680

Reading and dining table Nova 2680 is a practical solution for hospital or nursing beds. The table goes far enough over the bed so that it's comfortable to use. The product is easy to store: when the plate is folded down, the products can be conveniently put in a row.

Size (W x D x H): 78 x 45 x 78 - 106 cm



## Bedside Cabinet Ada

The modular, durable and safe bedside cabinet Ada has been designed for heavy use in any hospital. The reading and dinner table is easy to adjust and can be quickly changed from side to side without any tools. It features a stepless height adjustment. Lockable twin castors make the cabinet easy to move and sturdy. The frame is epoxy-coated steel, top and side panels as well as the dinner table is melamine. There are two drawers, of which the upper one is lockable. Top and side panels are grey and drawers white. Ada is CE-marked. Size (W x D x H): 47,5 x 60 x 90 cm.

**Accessories:** Top and side panels: birch or beech melamine | Light blue drawers | Table top cover (ABS-plastic) | Slipper rack | Magazine basket | Bottle / wastebag holder | Nurse calling device adapter attachment

ALSO AVAILABLE AS MACHINE **WASHABLE** MODEL

# SHOWERING FURNITURE

Lojer showering furniture has been developed in close co-operation with nursing staff, and provides a safe and ergonomic way for staff to help patients with their personal hygiene. Lojer's durable and easy to use shower trolleys and chairs are made of stainless steel and are suitable for hospitals and other facilities.



## Shower Chair Venla 4080

The 4080 shower chair is extremely sturdy and features hydraulic height adjustment, height adjustable foot supports which turn to the side, and lifting arm rests which can be used as a support frame. The frame of the chair is stainless steel and it features rustproof, individually lockable 125 mm wheels and a locking direction wheel. The seat and back section are soft urethane with an anti-slip finish. The hydraulically adjusted height range is 52 - 87 cm, and is operated by foot pedal. Fits over most standard toilet seats and can also be used in the sauna (with limitations).

**Accessories:** WC-bowl and holder | Head rest | Plaster cast supports



## Shower Trolley Veera 4310

The sturdy showering trolley features hydraulic height adjustment with foot pedals, with a range of 54 - 89 cm. The trolley is fitted with heat insulated padding and a pillow. The rails can be easily adjusted from both ends. The frame is epoxy-coated stainless steel. The trolley features high-quality durable, water-tight castors with 150 mm castors and a lockable direction wheel, making manoeuvring around the ward and corridors easy. The trolley tilts for drainage using a gas spring and has a drainage hose, complete with drip prevention and storage hook.



# MATTRESSES

Lojer's hospital bed mattress solutions have been developed in co-operation with industry-leading manufacturers. The mattresses have been designed in accordance with applicable standards for hospital beds. They are suitable for low and medium risk patients, and the range also includes suitable options for long-term patients in their own home or a healthcare facility environment.



## Lojer hygiene mattress

The Lojer hygiene mattress is an excellent choice for patients at low or medium risk in hospitals, care homes and home care environments, where its easy to clean surfaces are appreciated. The basic mattress is particularly suitable for adjustable beds. It is tested for fire safety (SL 1) and the material is breathable. The core of the 13 cm thick contoured mattress is made of durable, flexible foam, and its profiled base makes the mattress feel more airy and supports the patient. The 5 cm thick viscoelastic PU coating material gives the mattress a soft, comfortable surface and helps spread the patient's weight. The cover is made of flexible, antibacterially Sanitized-treated hygiene fabric, which can be washed in 90°C. The maximum weight recommendation is 150 kg. The mattress is manufactured in Finland and it is CE-marked. Sizes: 78 / 88 x 205 x 13 cm.



## Lojer rescue mattress

The Lojer rescue mattress is a practical solution for evacuation situations and it replaces the previously used rescue sheets. The base of the cover is durable, anti-friction material. The hygiene fabric cover features integrated rescue / evacuation straps which are attached with quick locks. In normal use the rescue straps can be hidden inside the mattress, where they do not interfere with linen. Lifting/pulling straps are found at both ends of the mattress. The cover is made of flexible, antibacterial Sanitized-treated hygiene fabric, which can be washed in 80°C. The rescue mattress is an excellent choice for patients at low or medium risk hospitals, residential homes and home care environments, where its easy to clean surfaces are appreciated.

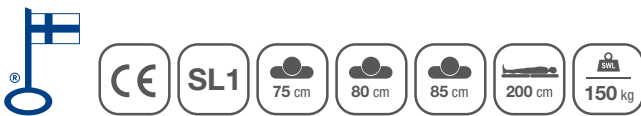


The rescue mattress is particularly suitable for adjustable beds. It is tested for fire safety (SL 1) and the material is breathable. The core of the 13 cm thick contoured mattress is made of durable, flexible foam, and its profiled base makes the mattress feel more airy and supports the patient. The 5 cm thick viscoelastic PU coating material gives the mattress a soft, comfortable surface and helps spread the patient's weight. The maximum weight recommendation is 150 kg. The mattress is manufactured in Finland and it is CE-marked. Sizes: 78 / 88 x 205 x 13 cm.

## Merivaara Basic hygiene mattress

For Carena and Futura Plus hospital beds

Merivaara Basic is a good basic mattress for low risk patients in hospitals, nursing homes and home care. Weight recommendation for hospital use is under 150 kg. Mattress core is of fire retardant foam and the cover is of polyurethane coated hygienic fabric, which is impermeable to liquids but still breathable. Flammability by standard IMO FTPC part 9 (SL 1). The mattress is manufactured in Finland and is CE-marked. Sizes: 75 / 80 / 85 x 200 x 12 cm



## Fysicon Comfort 33 hygiene mattress

For Carena and Futura Plus hospital beds

Fysicon Comfort-33 is an excellent mattress for hospitals, nursing homes and home care. Weight recommendation for hospital use is under 150 kg. Mattress core is of fire retardant foam with zoned grooves on the other side and the cover is of polyurethane coated hygienic fabric, which is impermeable to liquids but still breathable. Because of the grooved core, you can choose softer or firmer side up. Flammability by standard IMO FTPC part 9 (SL 1). The mattress is manufactured in Finland and it is CE-marked. High-quality hygienic mattress with grooved core. Sizes : 75 / 80 / 85 x 200 x 13 cm



## Fysicon MiniMax 13 anti-decubitus mattress

For Carena and Futura Plus hospital beds

Fysicon MiniMAX is a pressure-reducing mattress for patients with low or middle risk in hospitals, nursing homes and home care. MiniMAX can be used for patients from 40 kg up to 150 kg giving the best support and softness to all user weights. MiniMAX mattress core has 3 layers: on top the soft viscoelastic foam, in the middle and at the bottom there are more supporting and heavier layers. Cover is of polyurethane coated hygienic fabric, which is impermeable to liquids but still breathable. Flammability by standard IMO FTPC part 9 (SL 1). The mattress is manufactured in Finland and it is CE-marked. Sizes: 75 / 80 / 85 x 200 x 13 cm

## Fysicon MiniMax 13 rescue mattress

For Carena and Futura Plus hospital beds

Fysicon Evacuation MiniMAX is a pressure-reducing mattress for patients with low or middle risk in hospitals, nursing homes and home care. MiniMAX can be used for patients from 40 kg up to 150 kg giving the best support and softness to all user weights. MiniMAX mattress core has 3 layers: on top the soft viscoelastic foam, in the middle and at the bottom there are more supporting and heavier layers. Cover is of polyurethane coated hygienic fabric, which is impermeable to liquids but still breathable. Because of the integrated rescue straps the same mattress can be used in both normal patient care and in rescue situations. Flammability by standard IMO FTPC part 9 (SL 1). The mattress is manufactured in Finland and it is CE-marked. Sizes: 75 / 80 / 85 x 200 x 13 cm



## Baby mattress

For baby crib trolley 381

Good basic mattress for newborns and babies. Mattress core is of fire retardant foam and the cover is of polyurethane coated hygienic fabric, which is impermeable to liquids but still breathable. Flammability by standard IMO FTPC part 9 (SL 1). The mattress is manufactured in Finland and it is CE-marked. Size: 38 x 62 x 5 cm



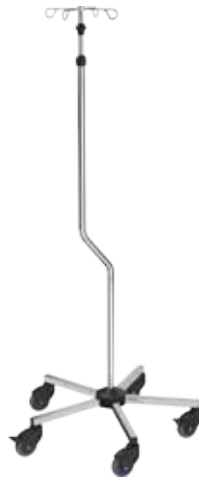
## Antistatic trolley mattresses

For Emergo patient trolleys

Mattress core is of fire retardant foam and the cover is of black antistatic polyurethane coated hygienic fabric, which is impermeable to liquids but still breathable. There's Velcros on the bottom of the mattress and 4 pieces on the sides. Mattress 51781 has in addition two transport straps on the sides ja bevelled corners on the mattress. Flammability by standard IMO FTPC part 9 (SL 1). The mattress is manufactured in Finland and it is CE-marked. Size: 65 x 193 x 5 / 8 / 10 cm

# TRANSFUSION STANDS AND IV-POLES

Transfusion stands are used in a number of applications in hospitals, healthcare centres, doctors' surgeries and home care. They can be attached to various Lojer products such as hospital beds and examination tables or they can be on their own castors. Lojer IV-poles feature single-handed adjustment as standard, which makes work significantly easier for care staff. Transfusion stands are made by German Provita GmbH.



### AI2110:

IV stand, straight model with castors. Chrome-plated steel, 4 hooks, capacity 4x2 kg. Single-handed height adjustment 126 - 211 cm. Castors 5x80 mm of which 2 are lockable. IV-stand base diameter 63,5 cm.

### 60124H:

IV stand, elbow model with castors. Chrome-plated steel, 4 hooks, capacity 4x2kg. Single-handed height adjustment 148 – 188 cm. Castors 5x80mm, of which 2 are lockable. IV-stand base diameter 63,5 cm.

### AI2120:

Heavy duty IV stand with castors. Stainless steel, 4 hooks, capacity 4x2 kg. Single-handed height adjustment 150 - 235 cm. Twin castors 5x75 mm, of which 2 are lockable and antistatic. Extra sturdy IV-stand base, overall weight 11 kg and diameter 63 cm.



### 60129MRI:

Aluminum IV stand for MRI with castors. 4 hooks, capacity 4x2kg. Twin castors 5x50mm. IV-stand base diameter 63,5 cm.

### 60123AMI:

Antimicrobial IV stand, straight model with castors. 4 hooks, capacity 4x2 kg. Single-handed height adjustment 126 – 211 cm. Castors 5x80 mm of which 2 are lockable. IV-stand base diameter 63,5 cm.

### I-HA4130:

Rainbow yellow, aircraft castors, capacity 4x2kg, height adjustment with a screw 135 - 200 cm. Castors 5x50 mm, of which 2 are lockable. IV-stand base diameter 63,5 cm. In addition, models I-HA4125 with a red rainbow and I-HA4126 with a green rainbow and mouse castors.

# CHAIRS AND STOOLS

Lojer chairs are designed especially for professional healthcare personnel. The chairs have been selected for our range in collaboration with occupational physiotherapists. The chairs are manufactured in Finland.

Among other things, we have improved the usability of Lojer chairs by reducing the diameter of the base frame but so that the chairs are as sturdy as before. The chairs can be fitted with, for example, new highly durable and stylish Future material (14 upholstery colors), white base, white castors or for saddle chairs so-called swinging saddle mechanism that is flexible in every direction.

## Easy Rider Saddle Chair CH1100

A popular saddle chair with seamless upholstery. The chair is upholstered with the new stylish and extremely durable Future material (14 colors), environmentally friendly Nature (5 colors) or optional black leather. The chair features a seat angle adjustment and a gas spring assisted height adjustment with cover for the gas spring according to the base color. Seat width is 50 cm and length 35 cm. Safe Working Load (SWL) 150 kg. Standard configuration: polished aluminum Ø 528 mm base | height adjustment range Medium (54 – 74 cm) | black 65 mm castors | upholstery Future (14 colors) or Nature (5 colors)



Product featured with Future Plum and options: white base Ø610 mm, back support and white 65 mm castors.



ALSO AVAILABLE AS  
ANTIMICROBIAL MODEL

**LOJER**® Antimicrobial



## Easy Rider Saddle Chair Stock CH1100S

A popular saddle chair for fast delivery. Seamless upholstery is of the new stylish and extremely durable Future material, color Carbon. The chair features a seat angle adjustment and a gas spring assisted height adjustment with black cover for the gas spring. Seat width is 50 cm and length 35 cm. Safe Working Load (SWL) 150 kg. Standard configuration: polished aluminum Ø 528 mm base | height adjustment range Medium (54 – 74 cm) | black 65 mm castors | upholstery Future, color Carbon



## Easy Rider FIT CH1200

A new, more narrow saddle chair with seamless upholstery. The chair is upholstered with the new stylish and extremely durable Future material (14 colors), environmentally friendly Nature (5 colors) or optional black leather. The chair features a seat angle adjustment and a gas spring assisted height adjustment with cover for the gas spring according to the base color. Seat width is 45 cm and length 35 cm. Safe Working Load (SWL) 150 kg. Standard configuration: polished aluminum Ø 528 mm base | height adjustment range Medium (54 – 74 cm) | black 65 mm castors | upholstery: Future (14 colors) or Nature (5 colors)



Product featured with Future Pistachio, polished aluminum Ø 528 mm base and options: black 65 mm locking castors and foot height adjustment.



## Easy Rider PRO Saddle Chair CH1300

A saddle chair with 2-part adjustable seat. Width of the seat can be adjusted from 42 cm to 48,5 cm. The seamless upholstery is of the new stylish and extremely durable Future material (14 colors), environmentally friendly Nature (5 colors) or optional black leather. The chair features a seat angle adjustment and a gas spring assisted height adjustment with cover for the gas spring according to the base color. Seat length is 42 cm. Safe Working Load (SWL) 150 kg. Standard configuration: polished aluminum Ø 528 mm base | height adjustment range Medium (54 – 74 cm) | black 65 mm castors | upholstery Future (14 colors) or Nature (5 colors)



Product featured with Future Lagoon, polished aluminum Ø 528 mm base, black 65 mm castors and optional foot support ring



## Step Anatomic Chair CH1400

An anatomically shaped chair with back support. The chair is upholstered with the new stylish and extremely durable Future material (14 colors) or environmentally friendly Nature (5 colors). The chair features a back support angle adjustment and a gas spring assisted height adjustment with cover for the gas spring according to the base color. Seat width and length are 39 cm. Safe Working Load (SWL) 150 kg. Standard configuration: polished aluminum Ø 610 mm base | height adjustment range Medium (50 – 70 cm) | black 65 mm castors | upholstery Future (14 colors) or Nature (5 colors)



Product featured with Future Sunrise, polished aluminum Ø 610 mm base and options: foot support ring and ESD 50 mm castors



## Round Seat CH1500

A round seat that is upholstered with the new stylish and extremely durable Future material (14 colors) or environmentally friendly Nature (5 colors). The chair features a gas spring assisted height adjustment with cover for the gas spring according to the base color. Seat diameter is 37 cm. Safe Working Load (SWL) 150 kg. Standard configuration: polished aluminum Ø 528 mm base | height adjustment range Medium (50 – 70 cm) | black 65 mm castors | upholstery Future (14 colors) or Nature (5 colors)



Product featured with Future Sapphire, polished aluminum Ø 610 mm base and options: back support and brake-loaded 50 mm castors.



ALSO AVAILABLE AS  
**ANTIMICROBIAL MODEL** **LOJER**® Antimicrobial



## Technical data and options

Model	CH1100	CH1100S	CH1200	CH1300	CH1400	CH1500
Base (Polished)	Ø 528 mm	Ø 528 mm	Ø 528 mm	Ø 528 mm	Ø 610 mm	Ø 528 mm
Height adjustment (Medium)	54-74 cm	54-74 cm	54-74 cm	54-74 cm	50-70 cm	50-70 cm
Castors	65mm, black	65mm, black	65mm, black	65mm, black	65mm, black	65mm, black
Upholstery	Future 14 colors	Future Carbon	Future 14 colors	Future 14 colors	Future 14 colors	Future 14 colors
	Nature 5 colors		Nature 5 colors	Nature 5 colors	Nature 5 colors	Nature 5 colors
Seat width	50 cm	50 cm	45 cm	42 - 48,5 cm	39 cm	Ø 37 cm
Seat length	35 cm	35 cm	35 cm	42 cm	39 cm	Ø 37 cm
<b>Options</b>						
Height adjustment Low	46 - 60 cm	-	46 - 60 cm	46 - 60 cm	42 - 55 cm	42 - 55 cm
Height adjustment High	65 - 91 cm	-	65 - 91 cm	65 - 91 cm	58 - 83 cm	58 - 83 cm
Upholstery black leather	o	-	o	o	o	o
Base: polished Ø 610 mm   white Ø 528 or 610 mm	o	-	o	o	White Ø 610 mm	o
Castors: 65 mm, white   65 mm locking, black or white   50 mm brake loaded, black   50 mm or 65 mm ESD, black. ESD castors only of with black ESD artificial leather upholstery.	o	-	o	o	o	o
Back support with angle adjustment - requires base Ø 610 mm	o	-	o	o	X	o
Foot height adjustment - requires 65 mm castors - not compatible with height adjustment Low	o	-	o	o	o	o
Foot support ring - not compatible with foot height adjustment - not compatible with height adjustment Low	o	-	o	o	o	o
Swinging saddle - not compatible with back support - adds 2 cm for min and max height	o	-	o	o	-	-

X = standard feature, o = optional accessory, - = not available



Foot support ring



Foot height adjustment



Swinging saddle \*)



White base and castors



Standard 65 mm,  
black (option white)



Optional 65mm locking,  
black or white



Optional 50 mm brake-loaded,  
black (locks when seated)



Optional 50 mm or 65 mm ESD,  
black (electrically conductive).  
ESD castors only of with black  
ESD artificial leather upholstery.

\*) Mechanism that is flexible in every direction. Seat adjusts to user's movements, increasing the reach and reducing the strain on the sternum. This feature activates the person sitting and reduces back fatigue, eliminating the need for additional angle adjustment.

# LOJER SYMBOLS



**Surface width**  
Width of the product's patient surface



**Patient surface length**  
Length of the product's patient surface



**Safe working load**  
Maximum load capacity, including the weight of the patient, mattresses and accessories



**Patient weight**  
Highest allowed patient weight



**Height adjustment range**  
Max. and min. height of the lying surface



**Castor diameter**  
Diameter of the individually locking or central locking castor/wheel (mm)



**Twin castor diameter**  
Diameter of the individually locking or central locking twin castor/wheel (mm). The mobility and solidity of the twin castor is significantly better than the standard castor.



**5. Castor**  
Fifth castor in the middle of the bed significantly improves mobility.



**Central locking**  
Product has mechanical or electric central locking of the castors. Locking is executed by locking each castor simultaneously or with a retractable lifting system.



**Number of functions**  
Number of functions the product features. For instance, hi-low function and adjustable back section function (=2x)



**Battery driven**  
Product can be equipped with a battery (typically optional)



**Hand controller**  
Product can be adjusted using a hand controller



**Hands free – height adjustment bar**  
The height of the product can be adjusted by foot from all sides of the product



**Electric foot control**  
The product can be adjusted using a foot control



**Hydraulic height adjustment**  
The height of the product can be adjusted by pedalling the hydraulic cylinder



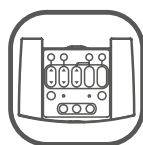
**Trendelenburg adjustment**  
The product features Trendelenburg adjustment



**Anti-trendelenburg adjustment**  
The product features anti-Trendelenburg adjustment



**CPR function**  
The back section can be quickly lowered to horizontal position



**Nurse control panel**  
Optional control panel allows use of pre-programmed functions or preventing the patient from using certain functions



**Accessories**  
Product can be equipped with factory installed accessories or retrofitted accessories

**manuthera<sup>®</sup> 242**

The most versatile  
treatment table  
in the world





HEALTHCARE AND SENIOR CARE EQUIPMENT  
Lojer Oy, PL 54, 38201 Sastamala, Finland  
Tel +358 (0)10 830 6700 | info@lojer.com  
[www.lojer.com](http://www.lojer.com)

LOJER MEDICAL SERVICE  
Fill the form at [lojer.com](http://lojer.com) » service request or send us email [service@lojer.com](mailto:service@lojer.com)

You can also call us + 358 10 830 6750 (from 8:00 AM to 16:00 PM Finnish time UTC+2:00).