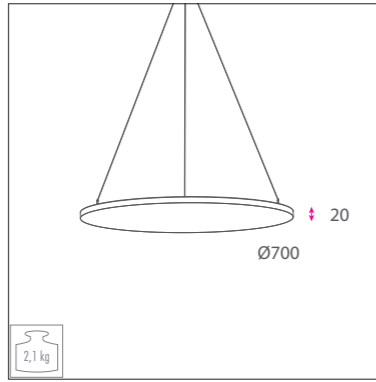
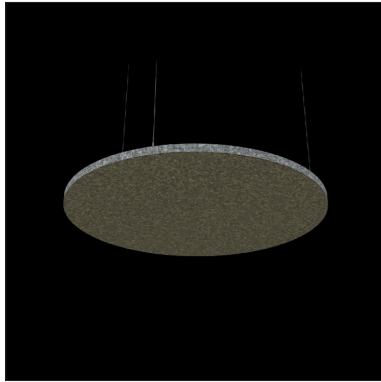


lunoo[®]
the lighting company
SONO

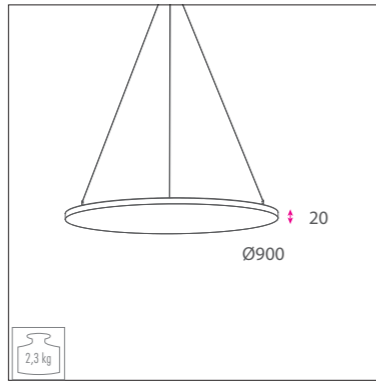
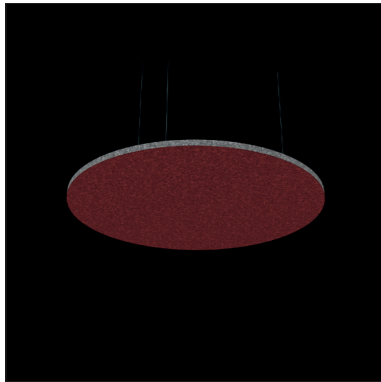
PROUDLY MADE IN BELGIUM

SONO SONO AIR

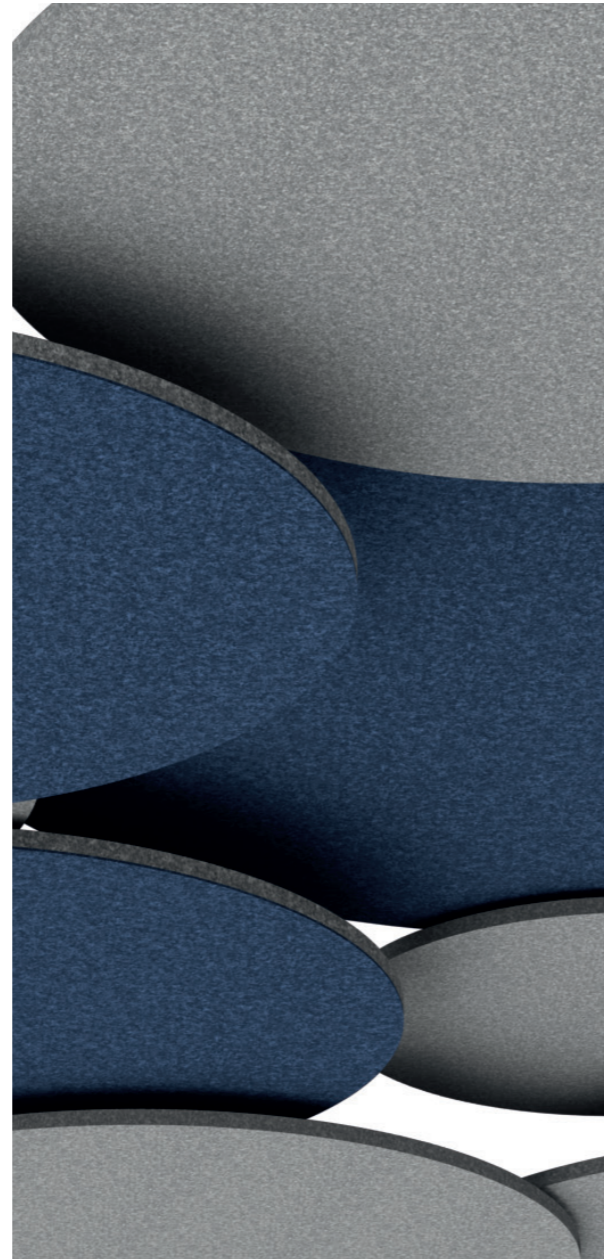
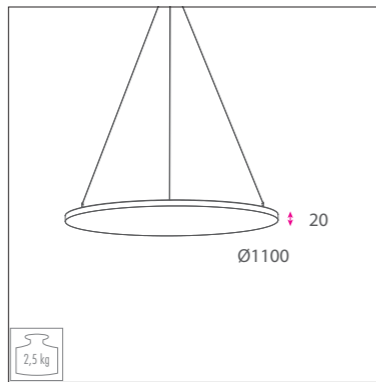
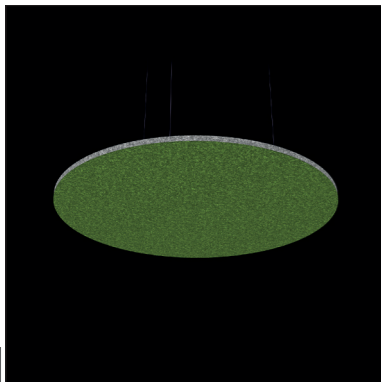
SONO AIR 700



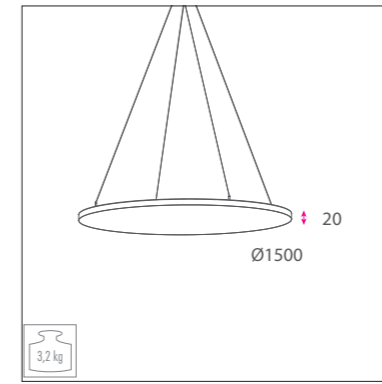
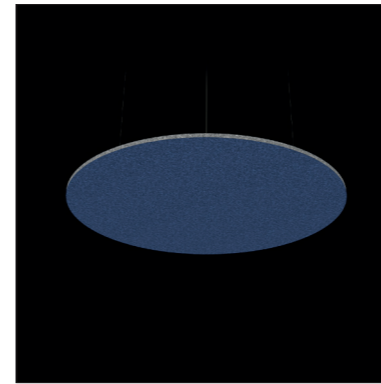
SONO AIR 900



SONO AIR 1100



SONO AIR 1500



GENERAL INFO

- **Design**
 - Felt PET panel
 - Optional colored felt coating
 - 3 (700, 900 & 1100) or 4 (1500) suspension points on top of luminaire
 - Perfect for hospitality & offices
 - Very good acoustic dampening
- **Variations**
 - Available in 4 diameters: 700, 900, 1100 & 1500 mm
 - Available in 3 base colors and with an extra colored topcoat
- **Materials**
 - PET felt
 - Steel cable adjusters



BASE COLORS



OPTIONAL COATING COLORS

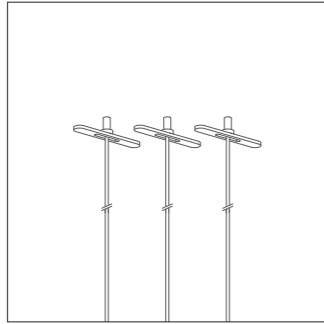
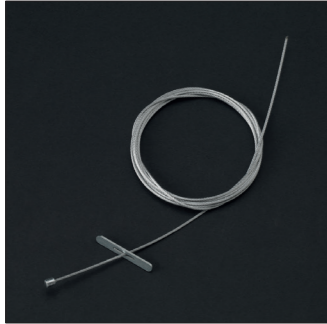


SONO

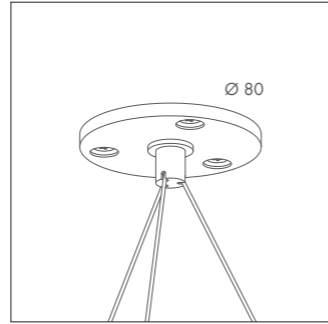
SUSPENSION OPTIONS

FOR SONO AIR 700, 900 & 1100:

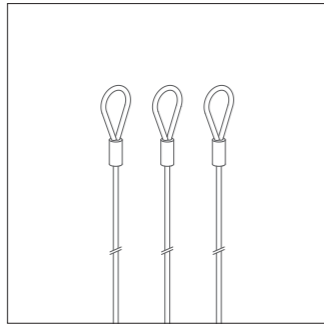
FIX 3GQ



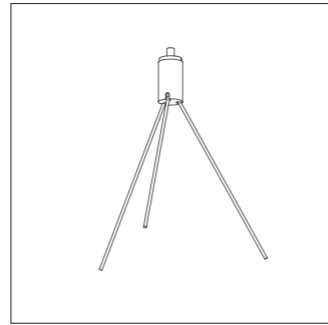
FIX P3



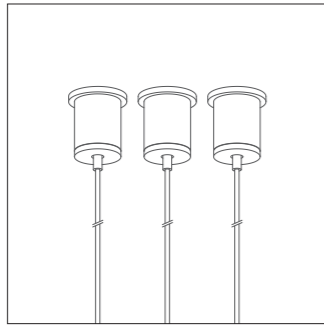
FIX 3I



FIX RO3

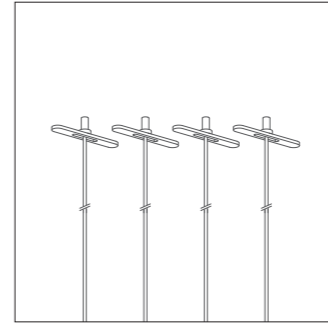
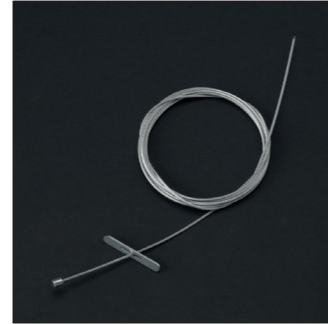


FIX 3J

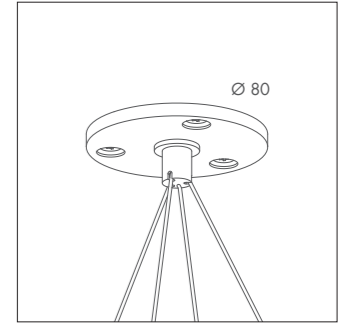


FOR SONO AIR 1500:

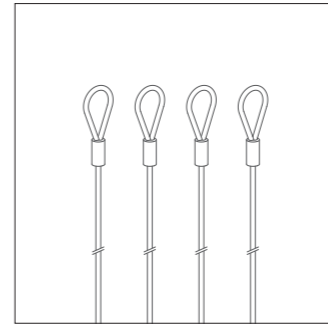
FIX 4GQ



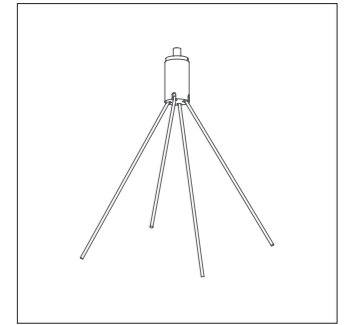
FIX P4



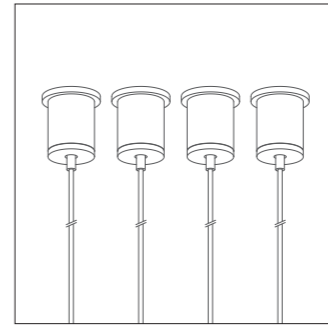
FIX 4I



FIX RO4



FIX 4J





Lunoo NV

Wantestraat 14
8780 Oostrozebeke
+32 56 676 100
info@lunoo.eu

lunoo[®]
the lighting company

"Lighting solutions for professional projects"