



lunoo[®]
the lighting company

LUMINAIRES FOR LINEAR CLIMATE CEILINGS

PROUDLY MADE IN BELGIUM



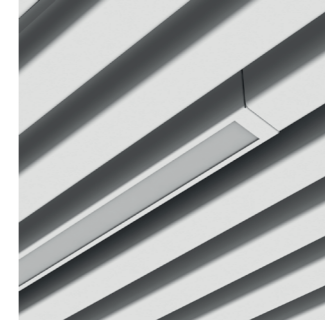
LUMINAIRES FOR LINEAR CLIMATE CEILINGS

OVERVIEW

TRENTA BAP



TRENTA PLEXI



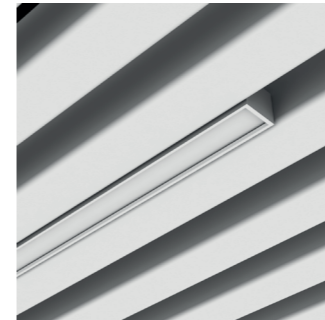
OTTANTA BLIP



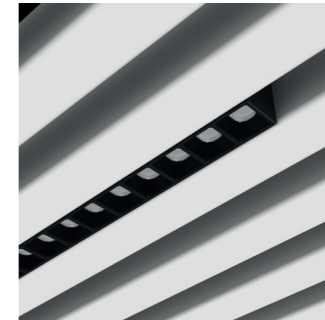
OTTANTA TESSO



VENTI



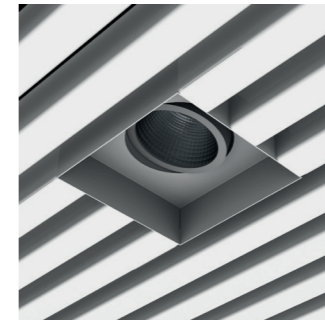
STRETTO



FIRKA ORION FLEX 130



FIRKA DEEP ORION FLEX 130



FIRKA APOLLO 180

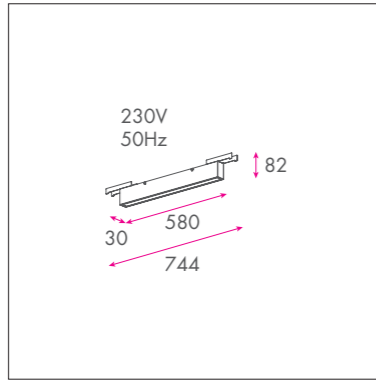
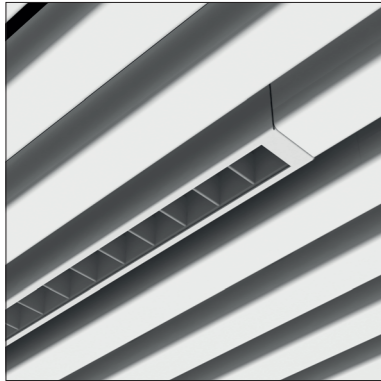


FIRKA DEEP APOLLO 180



TRENTA BAP

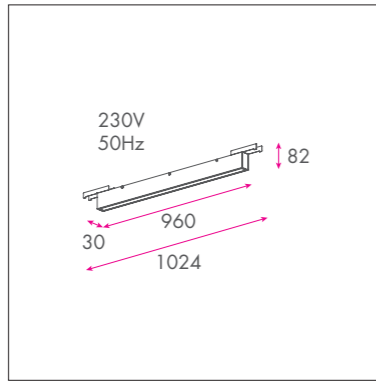
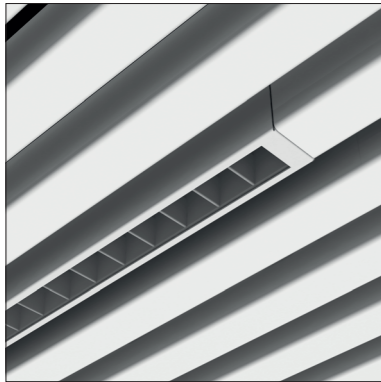
TRENTA 600 BAP



SYSTEM PWR	LUM. FLUX	CRI	CCT
13W	1900 - 2040 lm	80	3000 - 4000K
19W	2580 - 2780 lm	80	3000 - 4000K
26W	3800 - 4080 lm	80	3000 - 4000K



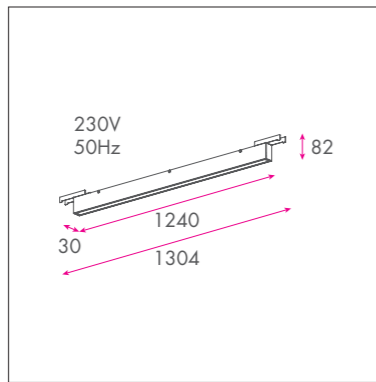
TRENTA 900 BAP



SYSTEM PWR	LUM. FLUX	CRI	CCT
19W	2850 - 3060 lm	80	3000 - 4000K
28W	3870 - 4170 lm	80	3000 - 4000K
39W	5700 - 6120 lm	80	3000 - 4000K



TRENTA 1200 BAP



SYSTEM PWR	LUM. FLUX	CRI	CCT
26W	3800 - 4080 lm	80	3000 - 4000K
38W	5160 - 5560 lm	80	3000 - 4000K
52W	7600 - 8160 lm	80	3000 - 4000K



GENERAL INFO

- Design

- Linear profile
- Matt metallic BAP louver
- Same width as ceiling profile
- Supported by carrier structure of ceiling
- Thin edge powder coated in white (standard RAL 9016 TEX, other colors on request)
- Screwless installation

- Variations

- Available in 3 lengths: 580, 960 & 1240 mm

- Materials

- Sheet metal
- Aluminium louver
- PMMA plexi cover

- Optics

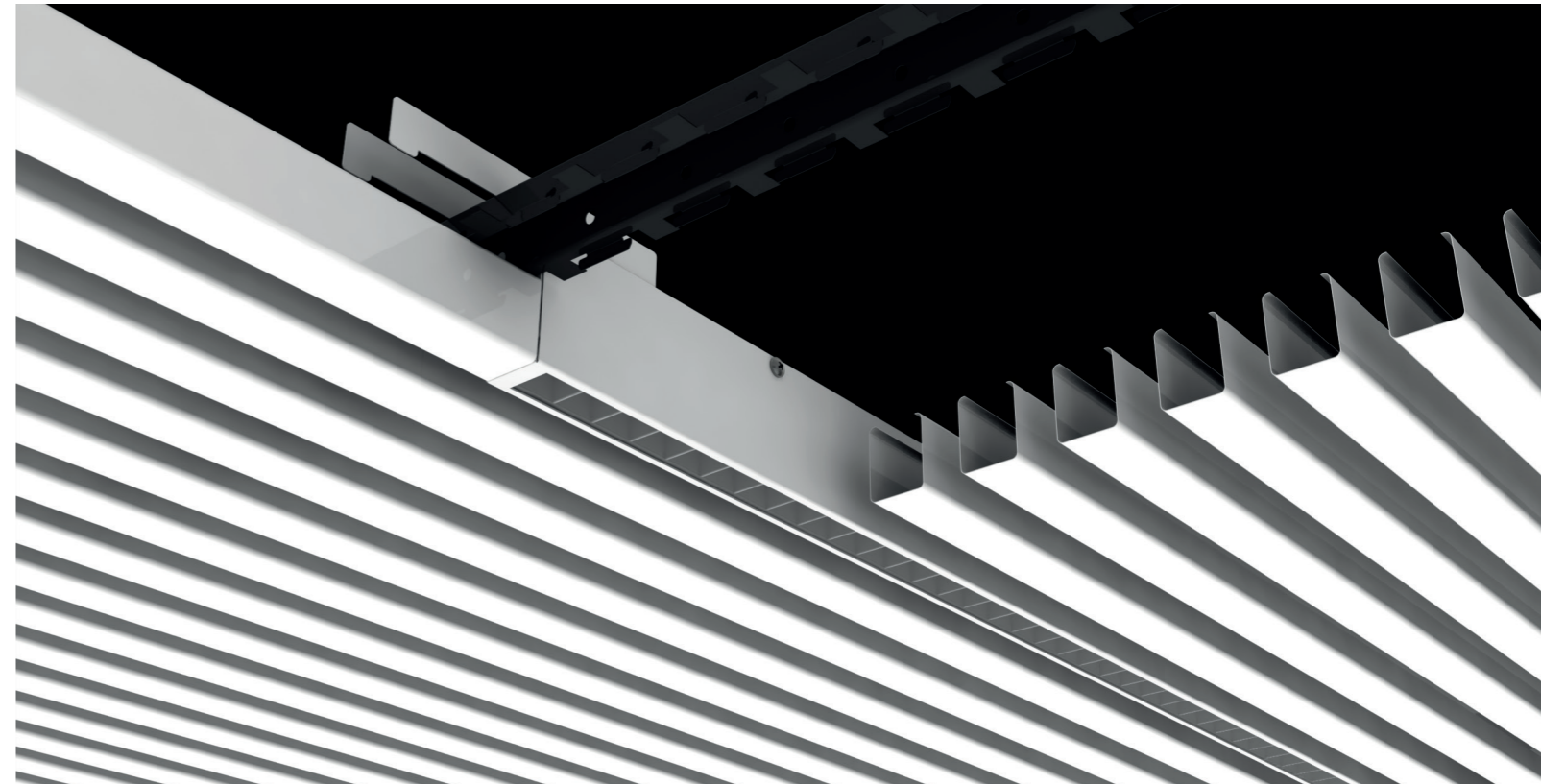
- Aluminium louver

- Power source

- Built-in 230V AC driver
- Fixed driver included
- Dali optional

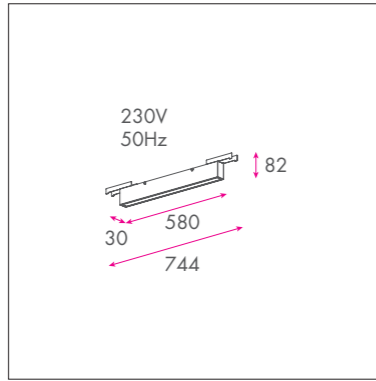
- Extra

- 1,5m cable with Wieland male
- 1,5m cable with Wieland male + female



TRENTA PLEXI

TRENTA 600 PLEXI



SYSTEM PWR	LUM. FLUX	CRI	CCT
13W	1900 - 2040 lm	80	3000 - 4000K
19W	2580 - 2780 lm	80	3000 - 4000K
26W	3800 - 4080 lm	80	3000 - 4000K



GENERAL INFO

- Design

- Linear profile
- Plexi diffusor
- Same width as ceiling profile
- Supported by carrier structure of ceiling
- Thin edge powder coated in white (standard RAL 9016 TEX, other colors on request)
- Screwless installation

- Optics

- Only opal diffusor
- Both opal and prismatic diffusor

- Power source

- Built-in 230V AC driver
- Fixed driver included
- Dali optional

- Extra

- 1,5m cable with Wieland male
- 1,5m cable with Wieland male + female

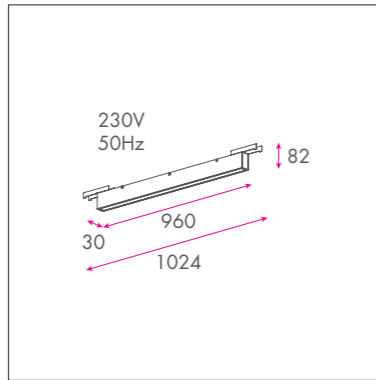
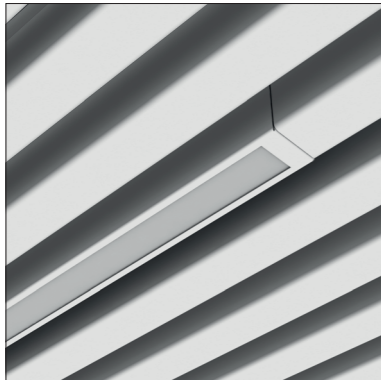
- Variations

- Available in 3 lengths: 580, 960 & 1240 mm

- Materials

- Sheet metal
- PMMA diffusor

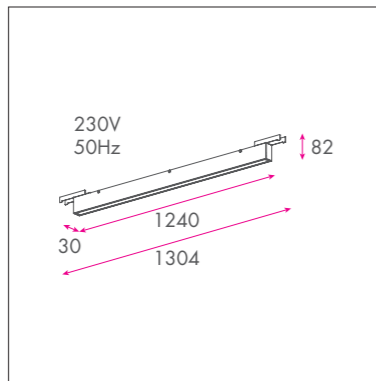
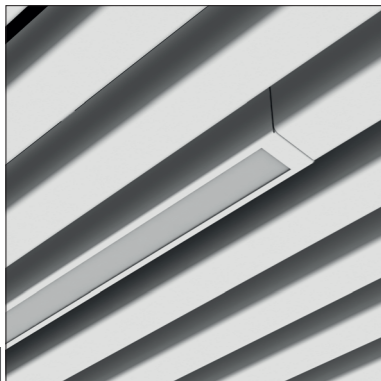
TRENTA 900 PLEXI



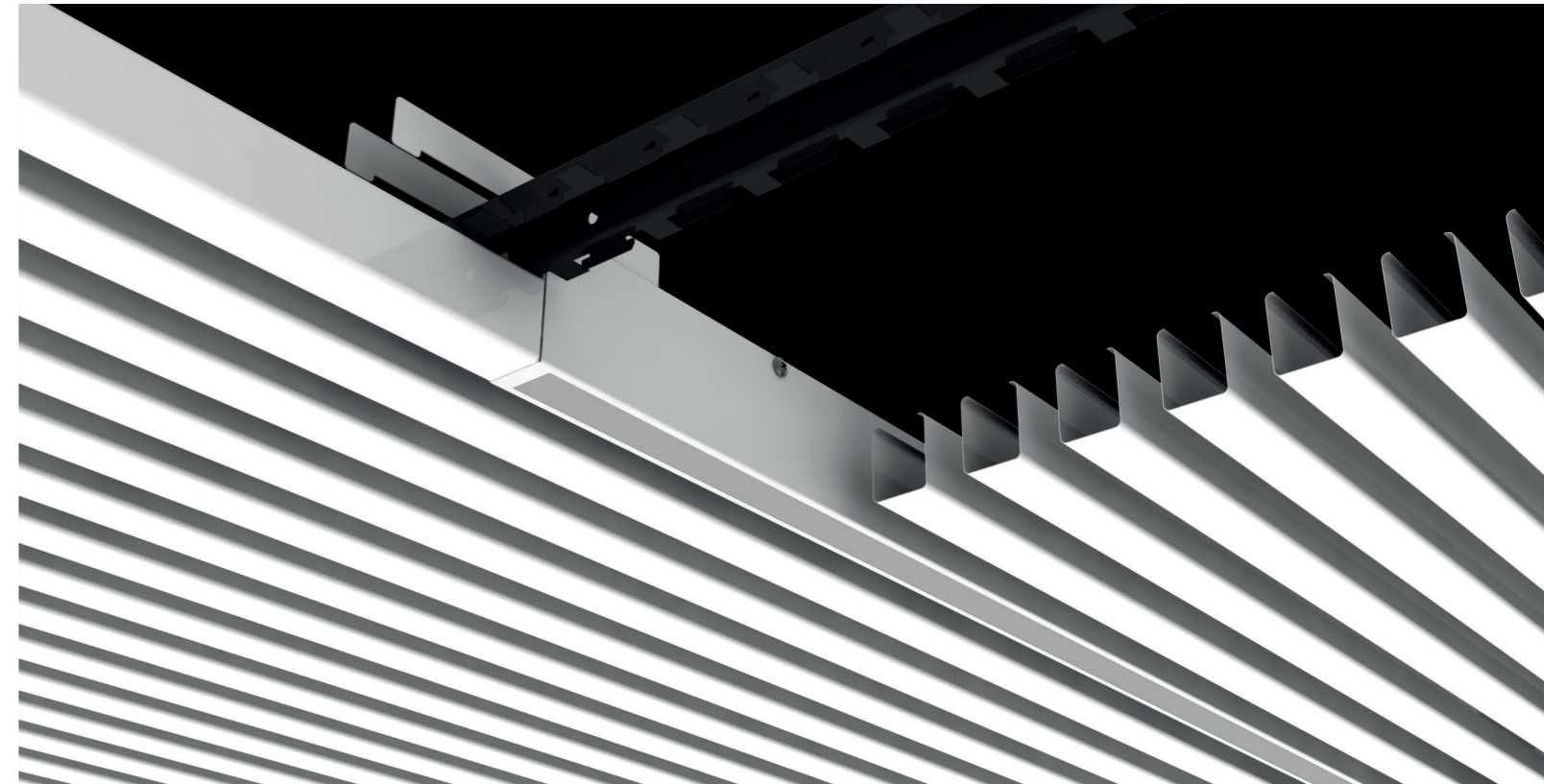
SYSTEM PWR	LUM. FLUX	CRI	CCT
19W	2850 - 3060 lm	80	3000 - 4000K
28W	3870 - 4170 lm	80	3000 - 4000K
39W	5700 - 6120 lm	80	3000 - 4000K



TRENTA 1200 PLEXI

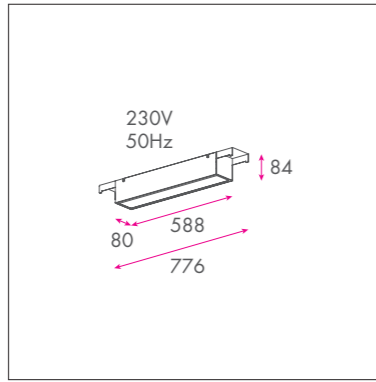


SYSTEM PWR	LUM. FLUX	CRI	CCT
26W	3800 - 4080 lm	80	3000 - 4000K
38W	5160 - 5560 lm	80	3000 - 4000K
52W	7600 - 8160 lm	80	3000 - 4000K



OTTANTA BLIP

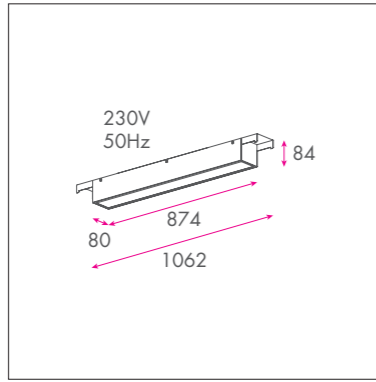
OTTANTA BLIP II



SYSTEM PWR	LUM. FLUX	CRI	CCT
11W	1862 - 1986 lm	80	3000 - 4000K
15W	2366 - 2518 lm	80	3000 - 4000K
18W	2860 - 3050 lm	80	3000 - 4000K



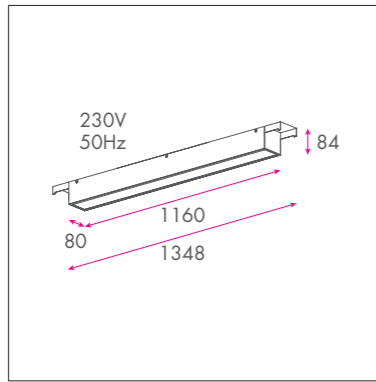
OTTANTA BLIP III



SYSTEM PWR	LUM. FLUX	CRI	CCT
17W	2793 - 2978 lm	80	3000 - 4000K
22W	3548 - 3776 lm	80	3000 - 4000K
27W	4289 - 4574 lm	80	3000 - 4000K



OTTANTA BLIP IV



SYSTEM PWR	LUM. FLUX	CRI	CCT
23W	3724 - 3971 lm	80	3000 - 4000K
37W	5719 - 6099 lm	80	3000 - 4000K
47W	7182 - 7657 lm	80	3000 - 4000K



GENERAL INFO

- Design

- Linear profile
- Plexi diffusor with integrated lenses
- Same width as 2 ceiling profiles
- Supported by carrier structure of ceiling
- Thin edge powder coated in white (standard RAL 9016 TEX, other colors on request)
- Screwless installation

- Variations

- available in 3 lengths: 588, 776 & 1348 mm

- Materials

- Sheet metal
- PMMA diffusor

- Optics

- Lenses of 60°, 90° of 110°

- Power source

- Built-in 230V AC driver
- Fixed driver included
- Dali optional

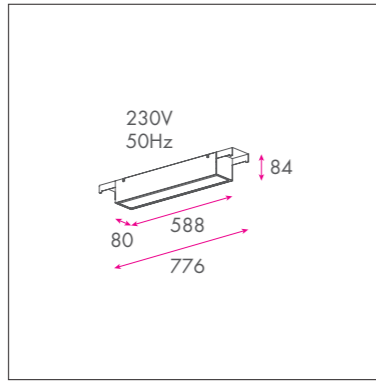
- Extra's

- Snap-in Wieland male + 1,5m cable female
- 1,5m cable with Wieland male
- 1,5m cable with Wieland male + 1,5m cable with Wieland female



OTTANTA TESSO

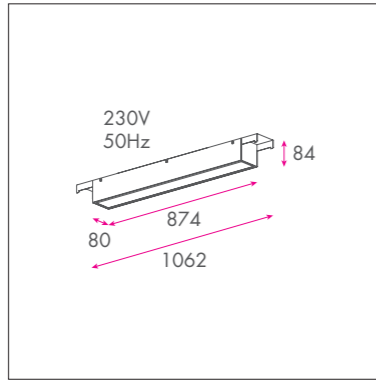
OTTANTA TESSO II



SYSTEM PWR	LUM. FLUX	CRI	CCT
13W	1900 - 2040 lm	80	3000 - 4000K
19W	2580 - 2780 lm	80	3000 - 4000K
26W	3800 - 4080 lm	80	3000 - 4000K



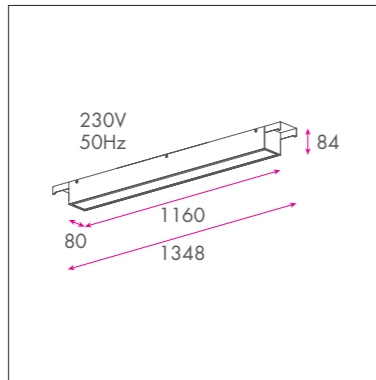
OTTANTA TESSO III



SYSTEM PWR	LUM. FLUX	CRI	CCT
19W	2850 - 3060 lm	80	3000 - 4000K
28W	3870 - 4170 lm	80	3000 - 4000K
39W	5700 - 6120 lm	80	3000 - 4000K



OTTANTA TESSO IV



SYSTEM PWR	LUM. FLUX	CRI	CCT
26W	3800 - 4080 lm	80	3000 - 4000K
38W	5160 - 5560 lm	80	3000 - 4000K
52W	7600 - 8160 lm	80	3000 - 4000K



GENERAL INFO

- Design

- Linear profile
- Plexi diffusor
- Same width as 2 ceiling profiles
- Supported by carrier structure of ceiling
- Thin edge powder coated in white (standard RAL 9016 TEX, other colors on request)
- Screwless installation

- Variations

- available in 3 lengths: 588, 776 & 1348 mm

- Materials

- Sheet metal
- PMMA diffusor

- Optics

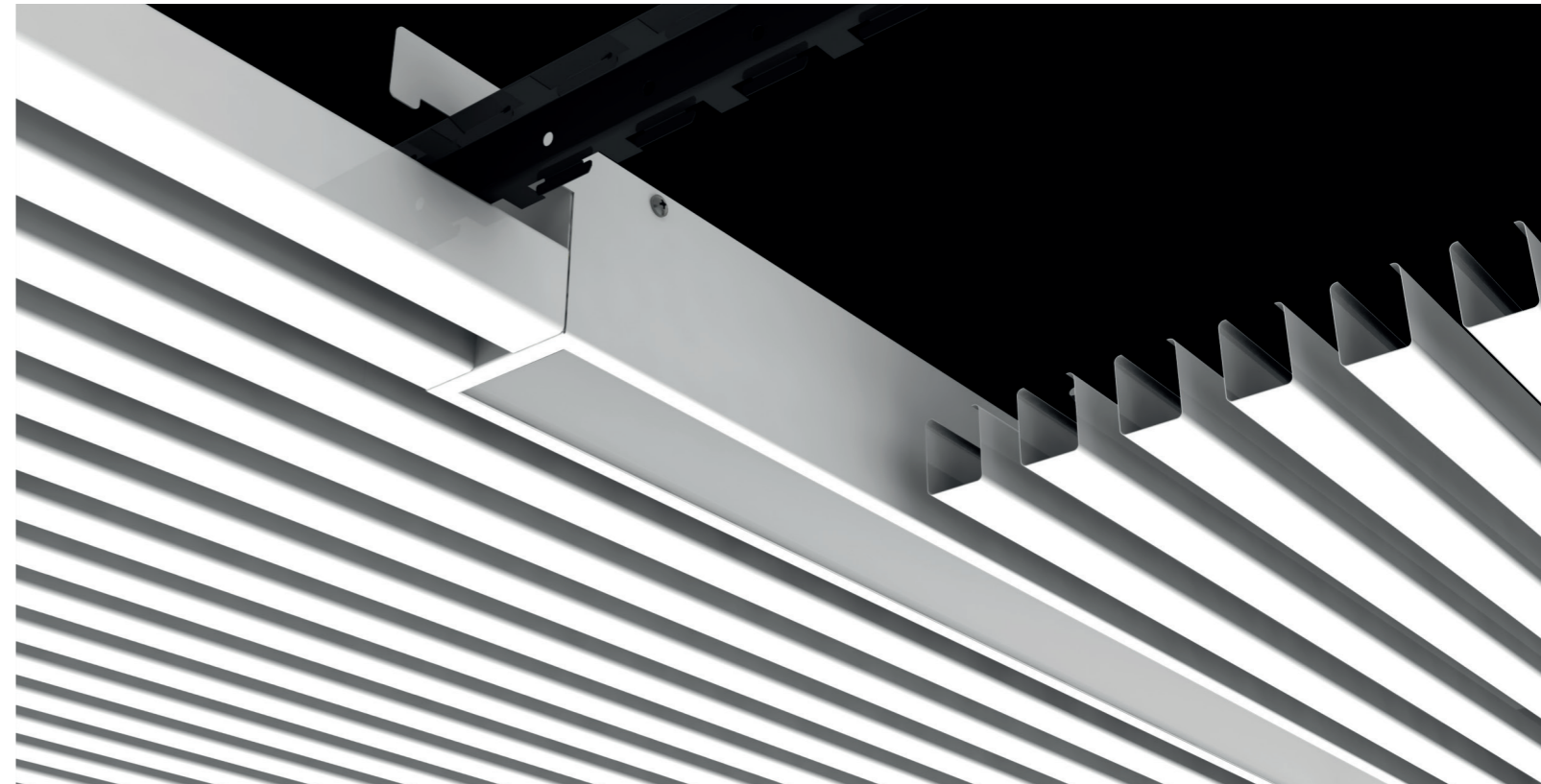
- Only opal diffusor
- Both opal and prismatic diffusor

- Power source

- Built-in 230V AC driver
- Fixed driver included
- Dali optional

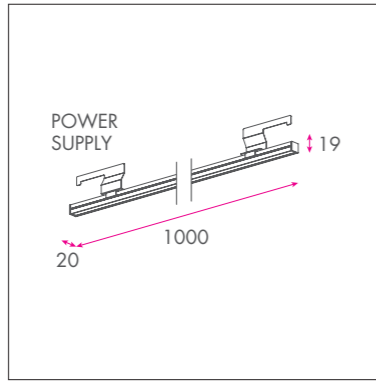
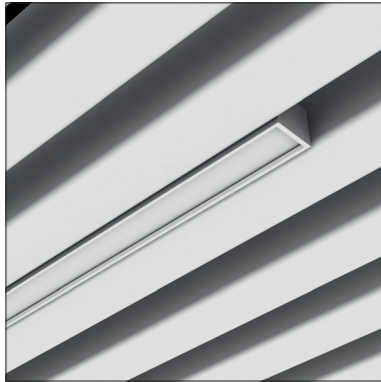
- Extra's

- Snap-in Wieland male + 1,5m cable female
- 1,5m cable with Wieland male
- 1,5m cable with Wieland male + 1,5m cable with Wieland female



VENTI

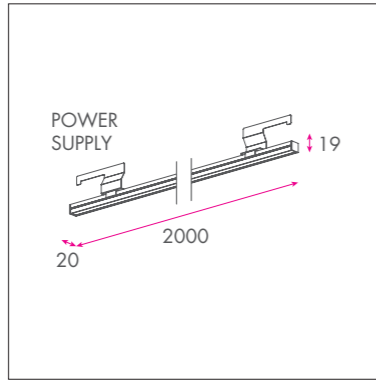
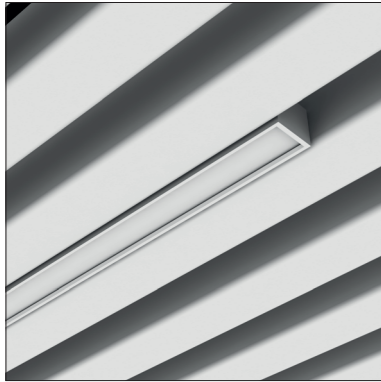
VENTI 1000



SYSTEM PWR	LUM. FLUX	CRI	CCT
8W	1000 lm	80	3000 - 4000K



VENTI 2000



SYSTEM PWR	LUM. FLUX	CRI	CCT
16W	2000 lm	80	3000 - 4000K



GENERAL INFO

- Design

- Linear profile
- Plexi diffusor
- Fits in between 2 ceiling profiles
- Supported by carrier structure of ceiling
- Thin edge powder coated in white (standard RAL 9016 TEX, other colors on request)
- Screwless installation

- Variations

- available in 2 lengths: 1000 & 2000 mm

- Materials

- Extruded aluminium
- PMMA diffusor

- Optics

- Opal plexi

- Power source

- Independent 24V DC power supply
- Fixed driver included

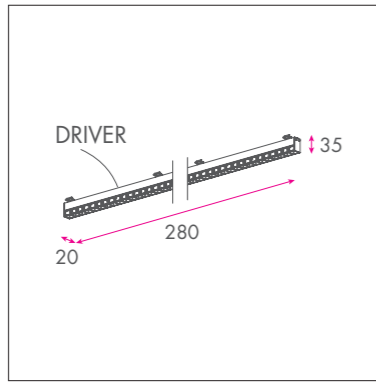
- Extra's

- 1,5m cable with Wieland male



STRETTO

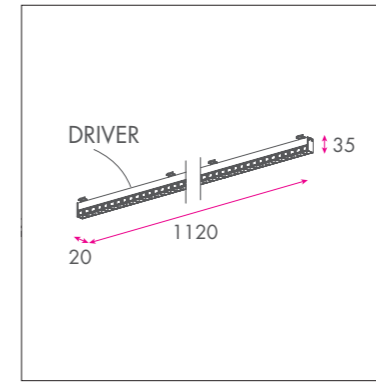
STRETTO 280



SYSTEM PWR	LUM. FLUX	CRI	CCT
5W	806 - 848 lm	80	3000 - 4000K
9W	1293 - 1359 lm	80	3000 - 4000K



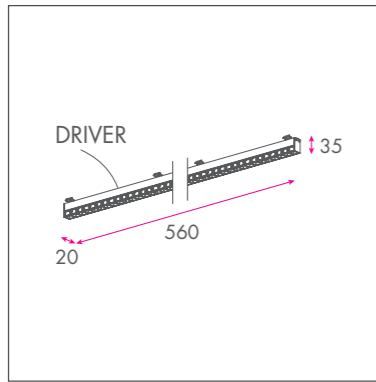
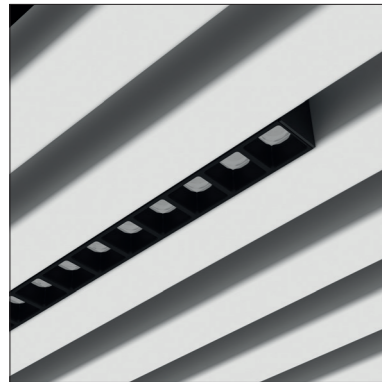
STRETTO 1120



SYSTEM PWR	LUM. FLUX	CRI	CCT
15W	2380 - 2500 lm	80	3000 - 4000K
26W	3980 - 4184 lm	80	3000 - 4000K
36W	5172 - 5436 lm	80	3000 - 4000K
48W	6516 - 6852 lm	80	3000 - 4000K



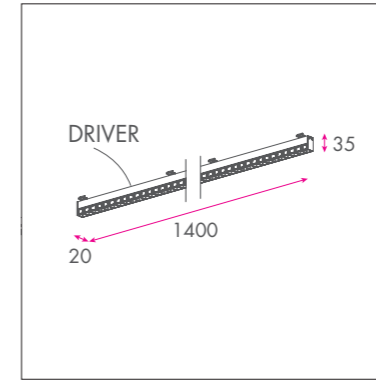
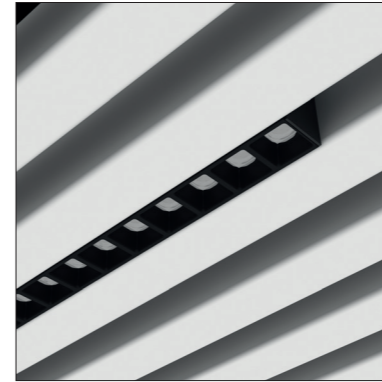
STRETTO 560



SYSTEM PWR	LUM. FLUX	CRI	CCT
16W	2292 - 2412 lm	80	3000 - 4000K
23W	3130 - 3282 lm	80	3000 - 4000K



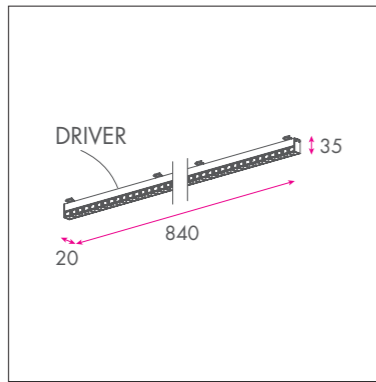
STRETTO 1400



SYSTEM PWR	LUM. FLUX	CRI	CCT
15W	2390 - 2515 lm	80	3000 - 4000K
26W	4030 - 4240 lm	80	3000 - 4000K
35W	5280 - 5550 lm	80	3000 - 4000K
47W	6745 - 7095 lm	80	3000 - 4000K



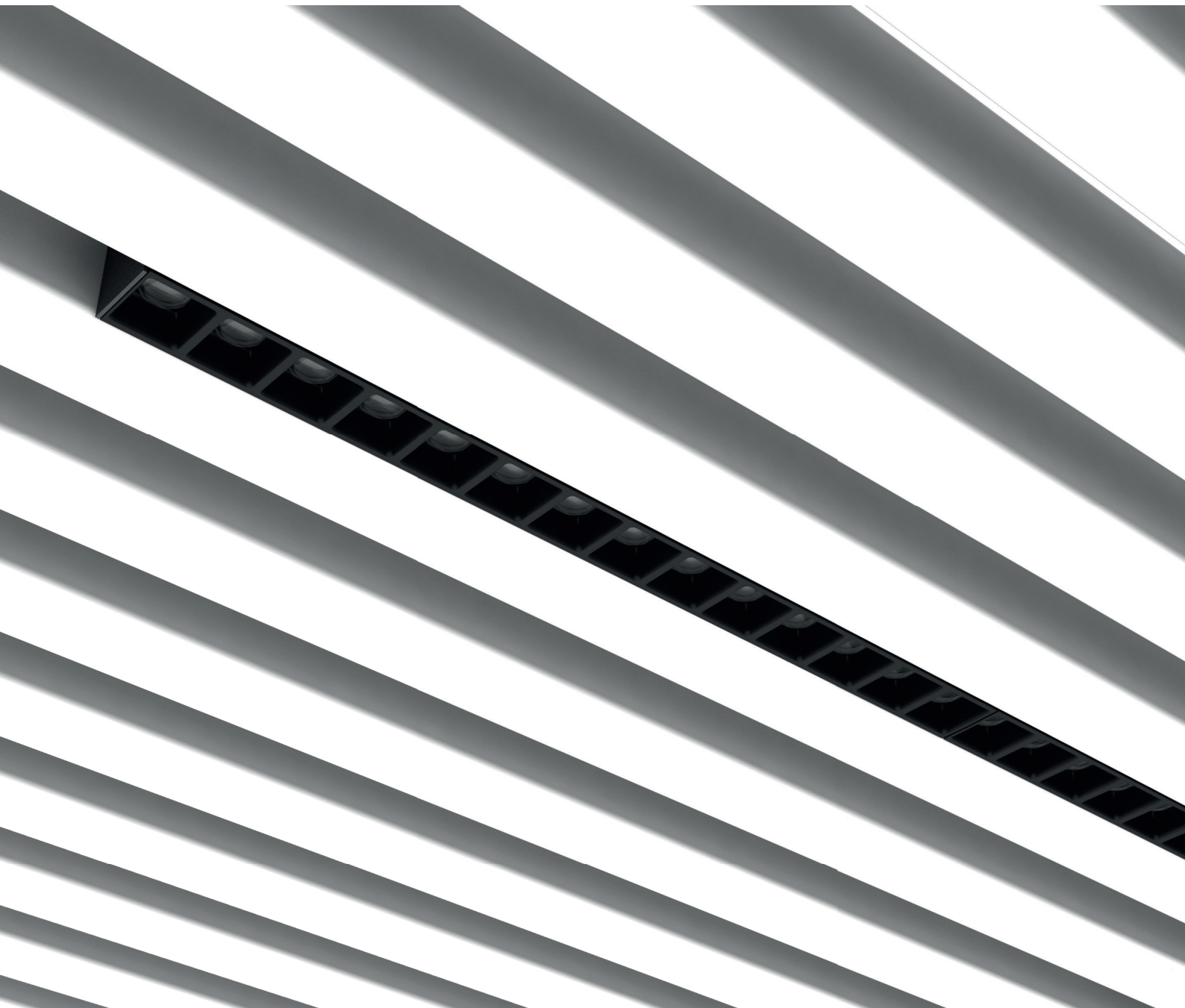
STRETTO 840



SYSTEM PWR	LUM. FLUX	CRI	CCT
16W	2361 - 2475 lm	80	3000 - 4000K
22W	3294 - 3465 lm	80	3000 - 4000K
32W	4428 - 4656 lm	80	3000 - 4000K



STRETTO



GENERAL INFO

- Design & features

- Linear profile
- UGR<19 for entire range
- Mat black louvers with integrated lenses
- Supported by neighbouring profiles
- Can be placed anywhere in the linear ceiling
- Snaps into the ceiling with leaf springs
- Removable end caps to form continuous light line
- Powder coated end caps in black (RAL 9005) or white (RAL 9016 TEX)
- Connector included between luminaire and driver for easier installation

- Variations

- Available in 5 lengths: 280, 560, 840, 1120 & 1400 mm

- Materials

- Steel profile
- PMMA lenses
- Polycarbonate louvers

- Optics

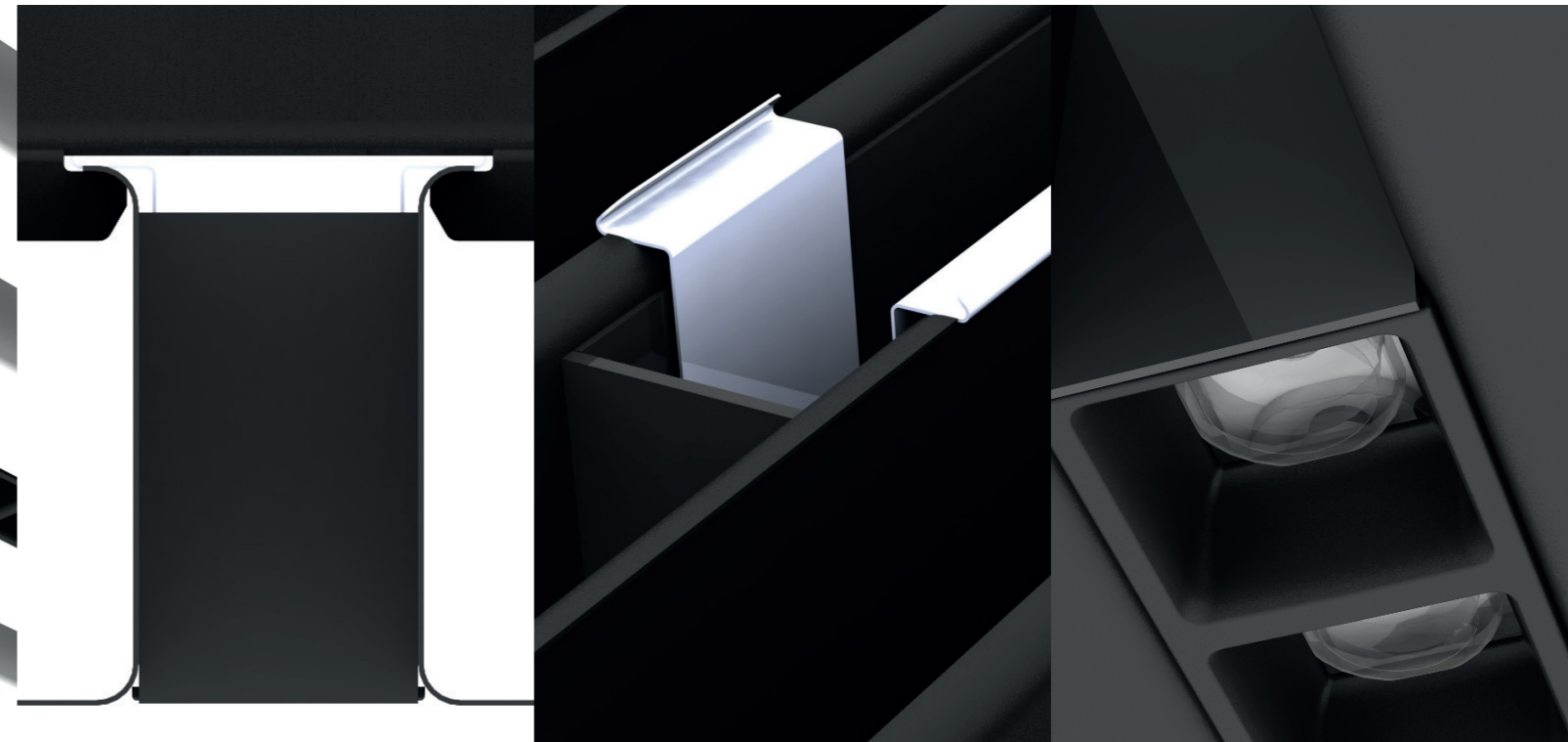
- Clear lenses of 55°
- Mat black louvers

- Power source

- Independent 230V AC driver
- Fixed driver included
- Dali optional
- Casambi optional
- Masterconnect optional

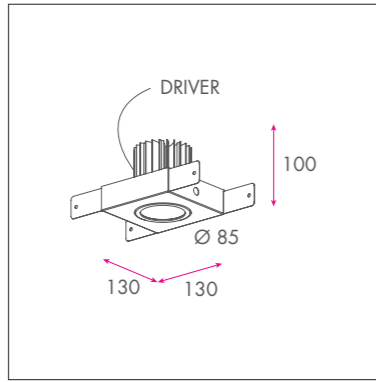
- Extra's

- 1,5m cable with Wieland male
- Integrated anti-panic module

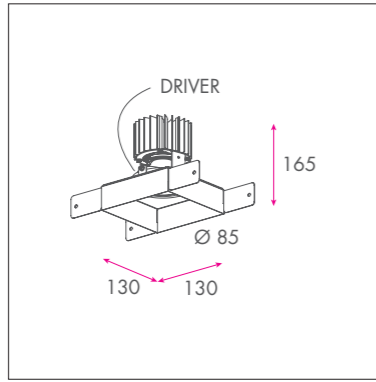
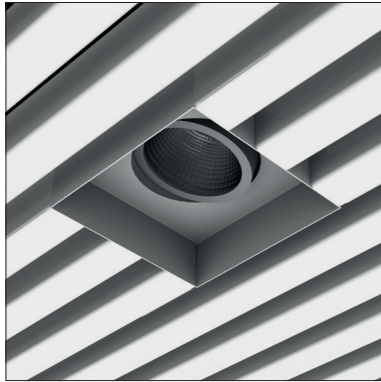


FIRKA ORION FLEX

FIRKA ORION FLEX 130



FIRKA DEEP ORION FLEX 130



SYSTEM PWR	LUM. FLUX	CRI	CCT
14W	1929 lm	80	3000K
	2009 lm		4000K
	1543 lm	92	2700K
20W	1601 lm	80	3000K
	1725 lm		4000K
	2640 lm	92	2700K
24W	3213 lm	80	3000K
	2464 lm		4000K
	2558 lm	92	2700K
29W	2757 lm	80	3000K
	3506 lm		4000K
	2801 lm	92	2700K
31W	2907 lm	80	3000K
	3134 lm		4000K
	4176 lm	92	2700K
39W	4345 lm	80	3000K
	3330 lm		4000K
	3457 lm	92	2700K
35W	3732 lm	80	3000K
	4519 lm		4000K
	4732 lm	92	2700K
39W	5097 lm	80	3000K
	3000 lm		95
	19W	1496 lm	85
27W	2064 lm	85	Meat
42W	2992 lm	85	Meat
19W	1552 lm	85	Gold
27W	2142 lm	85	Gold
42W	3104 lm	85	Gold



GENERAL INFO

- Design

- Square housing
- Built-in luminaire
- Width of 3 linear profiles
- Reflector is flushed with ceiling or recessed into housing
- Can be tilted 30° and rotated 350°

- Materials

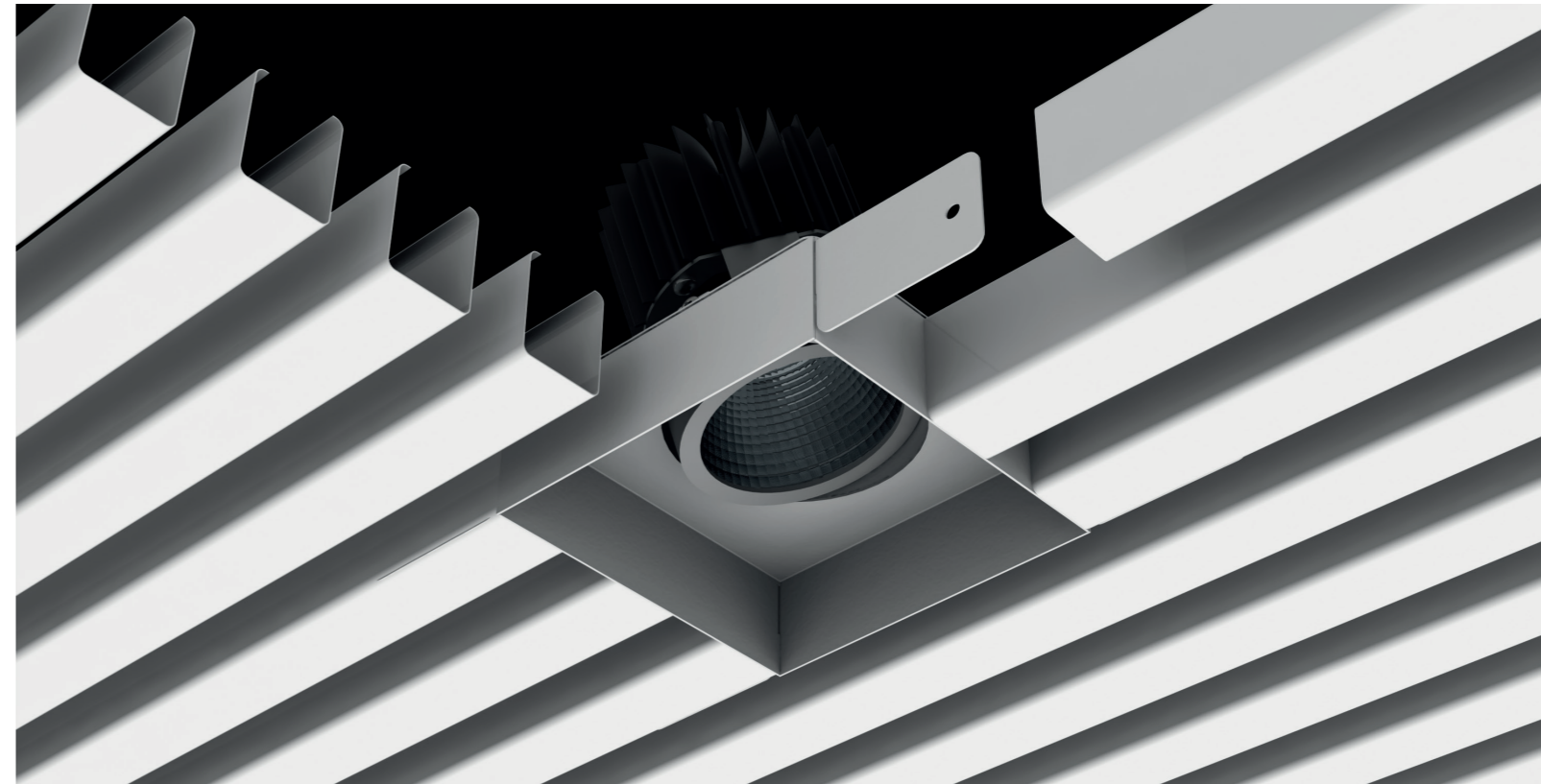
- Steel housing
- Aluminium reflector
- Optics
- Aluminium faceted reflector
- 15°, 25°, 40°, 55°

- Power source

- Independent 230V AC driver
- Driver included
- Dali optional
- Casambi optional
- Phasecut optional

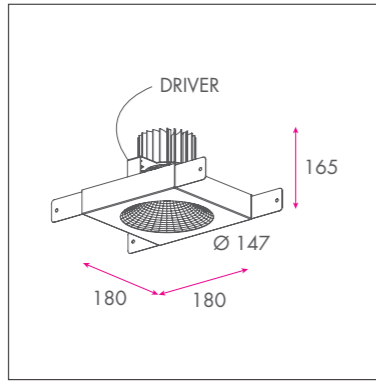
- Extra's

- 1,5m cable with Wieland male
- Integrated anti-panic module



FIRKA APOLLO

FIRKA APOLLO 180

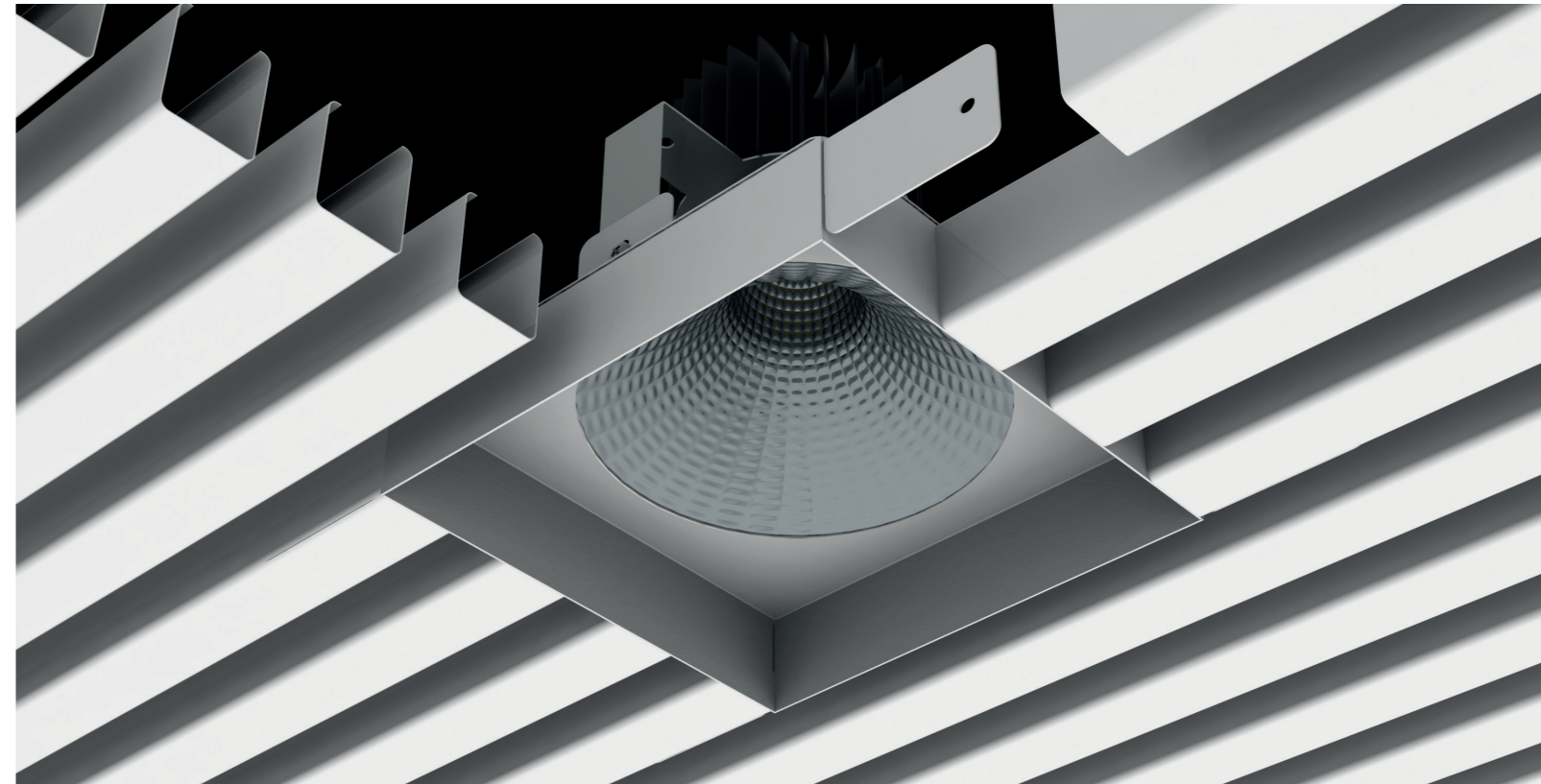


SYSTEM PWR	LUM. FLUX	CRI	CCT
14W	1929 lm	80	3000K
	2009 lm		4000K
	1543 lm	92	2700K
20W	1601 lm	80	3000K
	1725 lm		4000K
	2640 lm	92	2700K
24W	2558 lm	80	3000K
	2757 lm		4000K
	2464 lm	92	2700K
29W	2801 lm	80	3000K
	2907 lm		4000K
	3506 lm	92	2700K
31W	3134 lm	80	3000K
	3330 lm		4000K
	4176 lm	92	2700K
39W	3457 lm	80	3000K
	3732 lm		4000K
	4519 lm	92	2700K
35W	4732 lm	95	Dim to warm
	5097 lm		1800 - 3000K
	3000 lm		
19W	1496 lm	85	Meat
27W	2064 lm	85	Meat
42W	2992 lm	85	Meat
19W	1552 lm	85	Gold
27W	2142 lm	85	Gold
42W	3104 lm	85	Gold



GENERAL INFO

- **Design**
 - Square housing
 - Built-in trimless luminaire
 - Width of 4 linear profiles
 - Reflector is flushed with ceiling or recessed into housing
 - Reflector is fixed
- **Materials**
 - Steel housing
 - Aluminium reflector
- **Optics**
 - Aluminium faceted reflector
 - 50°
 - Low UGR
- **Power source**
 - Independent 230V AC driver
 - Fixed driver included
 - Dali optional
 - Casambi optional
 - Phasecut optional
- **Extra's**
 - 1,5m cable with Wieland male
 - Integrated anti-panic module





Lunoo NV
Wantestraat 14
8780 Oostrozebeke
+32 56 676 100
info@lunoo.eu

lunoo[®]
the lighting company

"Lighting solutions for professional projects"