



lunoo
the lighting company

LUMINAIRES FOR CEILING GRID SYSTEMS

PROUDLY MADE IN BELGIUM



LUMINAIRES FOR TILE CEILINGS

PANEL OVERVIEW

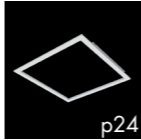
		T24 PROFILE				T15 PROFILE	
		A-TYPE	D-TYPE	X-TYPE	E-TYPE	A-TYPE	E-TYPE
							
OPAL & MICROPRISMATIC PLEXI	MODITO SIG  p10	600X600 625X625 300X1200	600X600	600X600	-	600X600 625X625 300X1200	-
	LINEA TESSO  p12	200X1200 300X1200	-	-	-	200X1200 300X1200	-
	LINEA BELLO  p14	-	-	-	-	-	-
LENSES	TILE II  p16	600X600	600X600	600X600	600X600	600X600	600X600
	TILE III  p16	-	-	-	-	-	-
	LINEA BLIP  p18	200X1200 300X1200	-	-	-	200X1200 300X1200	-
LOUVERS	TELLO III  p20	600X600	600X600	600X600	600X600	600X600	600X600
	TELLO SQUARE  p20	-	-	-	-	-	-
	LINEA DONNA  p22	200X1200 300X1200	-	-	-	200X1200 300X1200	-



LUMINAIRES FOR TILE CEILINGS

MOUNTING FRAME OVERVIEW

T24 PROFILE				T15 PROFILE	
A-TYPE	D-TYPE	X-TYPE	E-TYPE	A-TYPE	E-TYPE
					

LED PANEL MOUNTING FRAME					
	-	600X600	600X600	-	-



LUMINAIRES FOR TILE CEILINGS

PROFILE OVERVIEW

T24 PROFILE				T15 PROFILE	
A-TYPE	D-TYPE	X-TYPE	E-TYPE	A-TYPE	E-TYPE
					

OPAL & MICRO-PRISMATIC PLEXI	CENTERLINE UP T24  p26	1134 - ... MM	-	-	-	-
	CENTERLINE AIR T24  p30	1134 - ... MM	-	-	-	-
LOUVERS	STRETTO UP T24  p34	560 MM 840 MM 1120 MM 1400 MM	-	-	-	-



LUMINAIRES FOR TILE CEILINGS

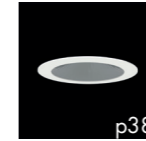
DOWNLIGHT OVERVIEW

APOLLO 170



p38

APOLLO 190



p38

APOLLO 215



p38

SCOOP



p40

SCOOP SQUARE



p40

ORION



p42

ORION FLEX



p42

ORION DEEP



p42

ORION II FLEX FLAT



p44

ORION II FLEX



p44

NOVA



p46

NOVA FLEX



p46

NOVA DEEP



p46

NOVA II FLEX FLAT



p48

NOVA II FLEX



p48

DION FLEX



p50

DION II FLEX



p50

DION III FLEX



p50

MAGNUM 180



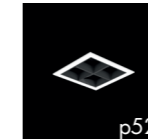
p52

MAGNUM 300



p52

MAGNUM SQUARE 100



p52

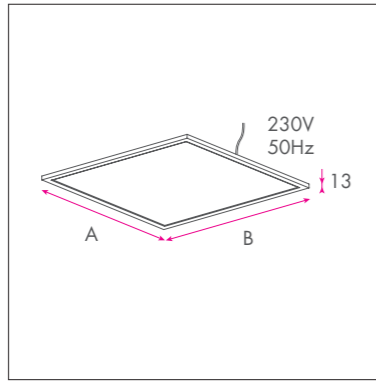
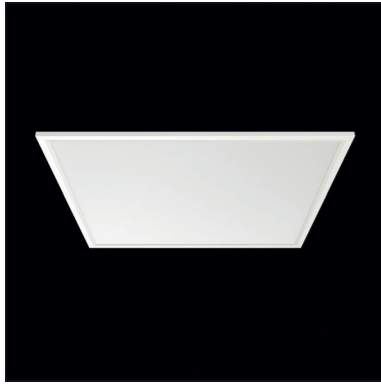
SUPPORT PLATES



p54

MODITO SIG

MODITO SIG 600X600

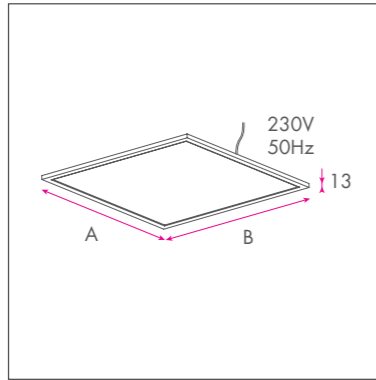
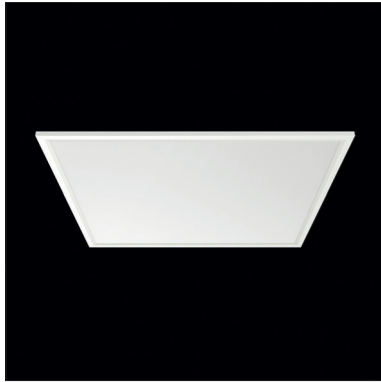


SYSTEM PWR	LUM. FLUX	CRI	CCT
33W	3588 - 3789 lm	80	3000K - 4000K



AVAILABLE FOR	A	B
A-type T24 tile ceiling	595	595
D-type T24 tile ceiling	599	599
X-type T24 tile ceiling	599	599
A-type T15 tile ceiling	595	595

MODITO SIG 625X625

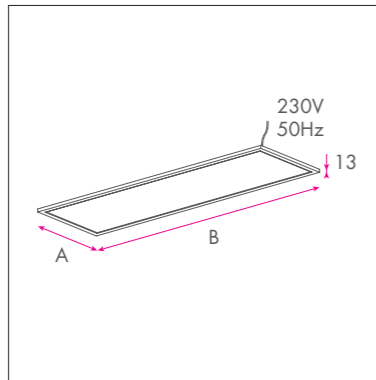
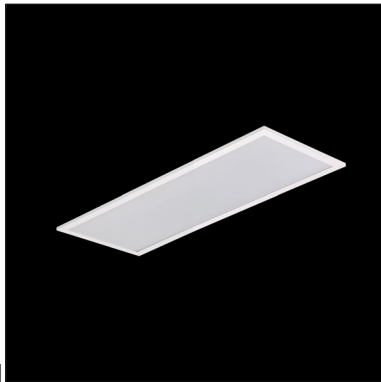


SYSTEM PWR	LUM. FLUX	CRI	CCT
33W	3588 - 3789 lm	80	3000K - 4000K



AVAILABLE FOR	A	B
A-type T24 tile ceiling	620	620
A-type T15 tile ceiling	620	620

MODITO SIG 300X1200



SYSTEM PWR	LUM. FLUX	CRI	CCT
33W	3588 - 3789 lm	80	3000K - 4000K



AVAILABLE FOR	A	B
A-type T24 tile ceiling	295	1195
A-type T15 tile ceiling	295	1195

GENERAL INFO

- Design & features

- Recessed luminaire
- Luminaire for tile ceiling systems
- Square or rectangular shape
- Uniform illumination

- Variations

- Available in 3 dimensions: 595x595, 620x620 and 295x1195 mm

- Materials

- Aluminium housing
- PMMA diffuser

- Optics

- Micro-prismatic diffuser
- Low UGR

- Power source

- Independent 230V AC driver
- Driver included
- Dali optional
- Casambi optional
- Masterconnect optional

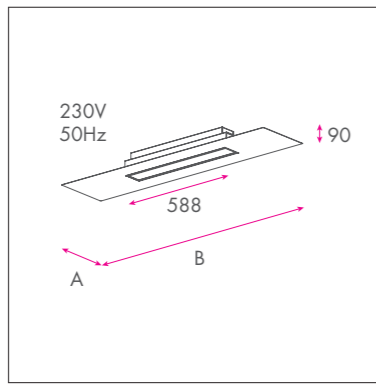
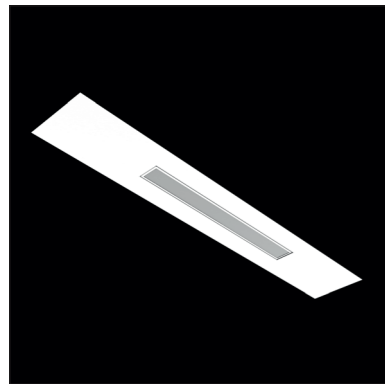
- Light distribution curves

- See 'Modito' product page on our website



LINEA TESSO 200X1200/300X1200

LINEA TESSO II 200X1200/300X1200

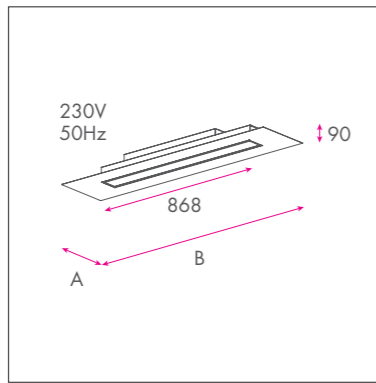
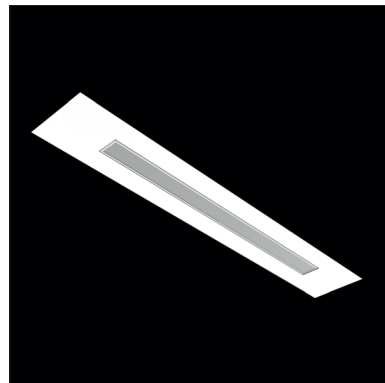


SYSTEM PWR	LUM. FLUX	CRI	CCT
13W	1900 - 2040 lm	80	3000K - 4000K
19W	2580 - 2780 lm	80	3000K - 4000K
26W	3800 - 4080 lm	80	3000K - 4000K



AVAILABLE FOR	A	B
A-type T15 & T24 tile ceiling	195	1195
A-type T15 & T24 tile ceiling	295	1195

LINEA TESSO III 200X1200/300X1200

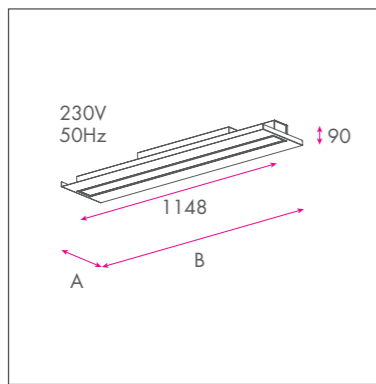
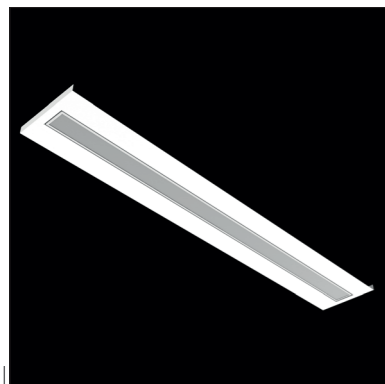


SYSTEM PWR	LUM. FLUX	CRI	CCT
19W	2850 - 3060 lm	80	3000K - 4000K
28W	3870 - 4170 lm	80	3000K - 4000K
39W	5700 - 6120 lm	80	3000K - 4000K



AVAILABLE FOR	A	B
A-type T15 & T24 tile ceiling	195	1195
A-type T15 & T24 tile ceiling	295	1195

LINEA TESSO IV 200X1200/300X1200



SYSTEM PWR	LUM. FLUX	CRI	CCT
26W	3800 - 4080 lm	80	3000K - 4000K
38W	5160 - 5560 lm	80	3000K - 4000K
52W	7600 - 8160 lm	80	3000K - 4000K



AVAILABLE FOR	A	B
A-type T15 & T24 tile ceiling	195	1195
A-type T15 & T24 tile ceiling	295	1195

GENERAL INFO

- Design & features

- Recessed luminaire
- Luminaire for tile ceiling systems
- Rectangular shape
- Integrated led rows with plexi cover

- Variations

- Available in 3 configurations: 2,3 and 4 feet of leds and plexi cover
- Available in 2 widths: 195 and 295 mm wide

- Materials

- Sheet metal
- PMMA plexi cover

- Optics

- Opal and/or prismatic plexi

- Power source

- Independent 230V AC driver
- Driver included
- Dali optional

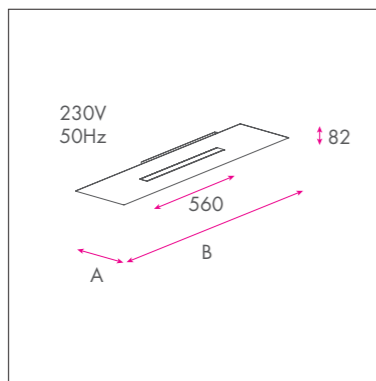
- Light distribution curves

- See 'Linea Tesso' product page on our website



LINEA BELLO 200X1200/300X1200

LINEA BELLO II 200X1200/300X1200

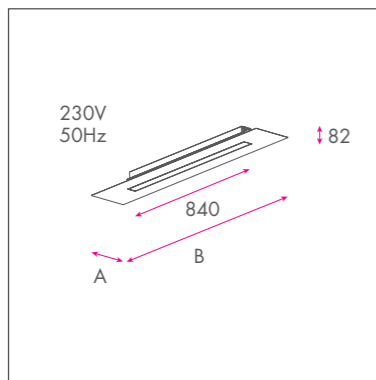


SYSTEM PWR	LUM. FLUX	CRI	CCT
9W	1380 - 1460 lm	80	3000K - 4000K
13W	1900 - 2040 lm	80	3000K - 4000K
19W	2580 - 2780 lm	80	3000K - 4000K
26W	3800 - 4080 lm	80	3000K - 4000K



AVAILABLE FOR	A	B
A-type T15 & T24 tile ceiling	195	1195
A-type T15 & T24 tile ceiling	295	1195

LINEA BELLO III 200X1200/300X1200

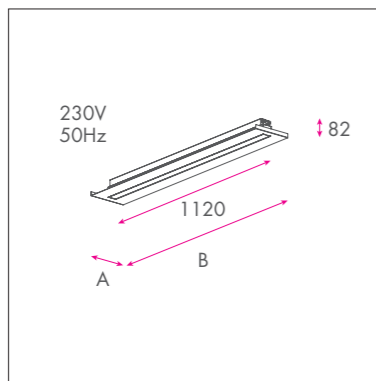


SYSTEM PWR	LUM. FLUX	CRI	CCT
13W	2070 - 2190 lm	80	3000K - 4000K
19W	2850 - 3060 lm	80	3000K - 4000K
28W	3870 - 4170 lm	80	3000K - 4000K
39W	5700 - 6120 lm	80	3000K - 4000K



AVAILABLE FOR	A	B
A-type T15 & T24 tile ceiling	195	1195
A-type T15 & T24 tile ceiling	295	1195

LINEA BELLO IV 200X1200/300X1200



SYSTEM PWR	LUM. FLUX	CRI	CCT
18W	2760 - 2920 lm	80	3000K - 4000K
26W	3800 - 4080 lm	80	3000K - 4000K
38W	5160 - 5560 lm	80	3000K - 4000K
52W	7600 - 8160 lm	80	3000K - 4000K



AVAILABLE FOR	A	B
A-type T15 & T24 tile ceiling	195	1195
A-type T15 & T24 tile ceiling	295	1195

GENERAL INFO

- Design & features

- Recessed luminaire
- Luminaire for tile ceiling systems
- Rectangular shape
- Integrated led rows with plexi cover

- Variations

- Available in 3 configurations: 2,3 and 4 feet of leds and plexi cover
- Available in 2 widths: 195 and 295 mm wide

- Materials

- Sheet metal
- PMMA plexi cover

- Optics

- Opal and/or prismatic plexi

- Power source

- Independent 230V AC driver
- Driver included
- Dali optional

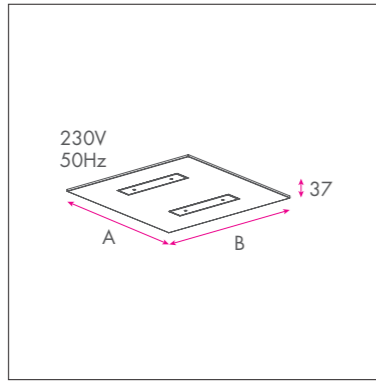
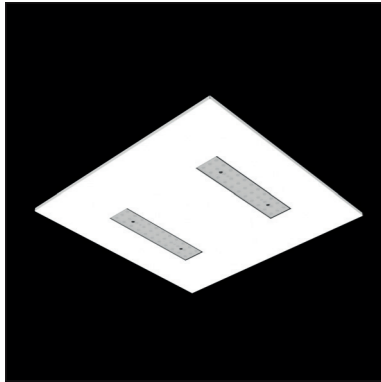
- Light distribution curves

- See 'Linea Bello' product page on our website



TILE

TILE II 600X600



SYSTEM PWR	LUM. FLUX	CRI	CCT
11W	1862 - 1986 lm	80	3000K - 4000K
15W	2366 - 2518 lm	80	3000K - 4000K
18W	2860 - 3050 lm	80	3000K - 4000K

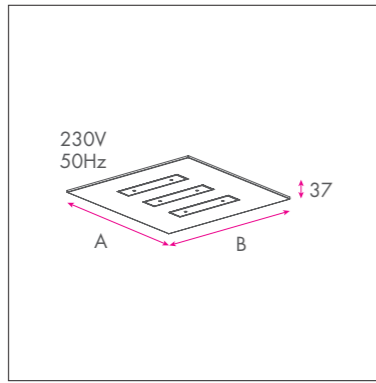
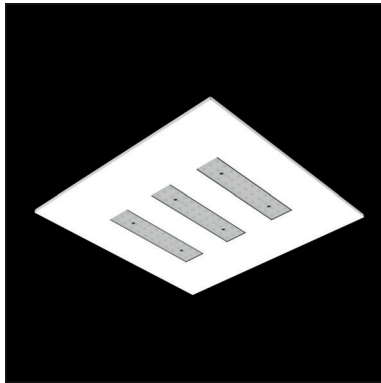


AVAILABLE FOR	A	B
A-type T15 & T24 tile ceiling	595	595
D-type T24 tile ceiling	599	599
X-type T24 tile ceiling	599	599
E-type T15 tile ceiling	585	585
E-type T24 tile ceiling	576	576

GENERAL INFO

- **Design & features**
 - Recessed luminaire
 - Luminaire for tile ceiling systems
 - Square shape
 - Integrated led rows with lenses
- **Variations**
 - Available in 2 configurations: 2- and 3-row leds and lenses
- **Materials**
 - Sheet metal
 - PMMA lenses
- **Optics**
 - Mat or clear lenses
 - 60°, 90° or 110°
 - Low UGR
- **Power source**
 - Independent 230V AC driver
 - Driver included
 - Dali optional
- **Light distribution curves**
 - See 'Tile' product page on our website

TILE III 600X600



SYSTEM PWR	LUM. FLUX	CRI	CCT
17W	2793 - 2978 lm	80	3000K - 4000K
22W	3548 - 3776 lm	80	3000K - 4000K
27W	4289 - 4574 lm	80	3000K - 4000K

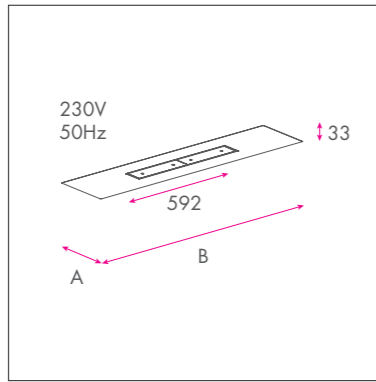
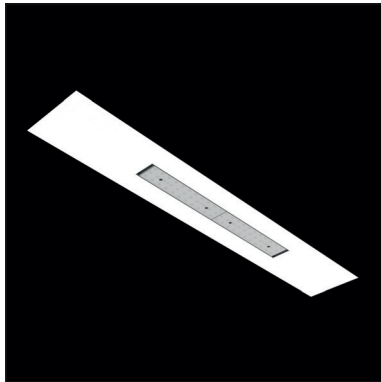


AVAILABLE FOR	A	B
A-type T15 & T24 tile ceiling	595	595
D-type T24 tile ceiling	599	599
X-type T24 tile ceiling	599	599
E-type T15 tile ceiling	585	585
E-type T24 tile ceiling	576	576



LINEA BLIP 200X1200/300X1200

LINEA BLIP II 200X1200/300X1200

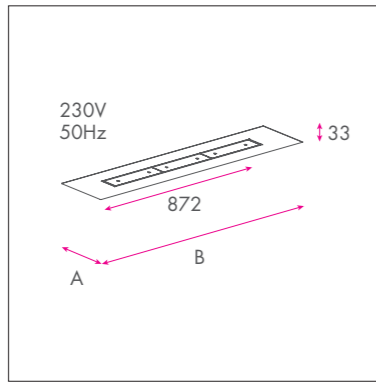
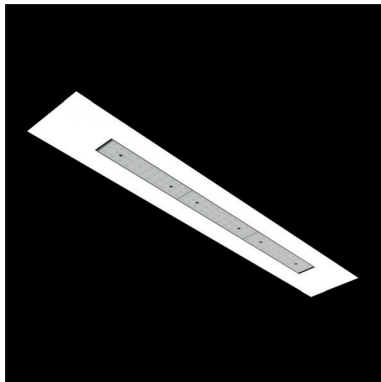


SYSTEM PWR	LUM. FLUX	CRI	CCT
11W	1862 - 1986 lm	80	3000K - 4000K
15W	2366 - 2518 lm	80	3000K - 4000K
18W	2860 - 3050 lm	80	3000K - 4000K



AVAILABLE FOR	A	B
A-type T15 & T24 tile ceiling	195	1195
A-type T15 & T24 tile ceiling	295	1195

LINEA BLIP III 200X1200/300X1200

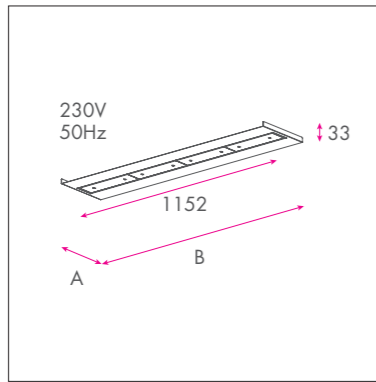


SYSTEM PWR	LUM. FLUX	CRI	CCT
17W	2793 - 2978 lm	80	3000K - 4000K
22W	3548 - 3776 lm	80	3000K - 4000K
27W	4289 - 4574 lm	80	3000K - 4000K



AVAILABLE FOR	A	B
A-type T15 & T24 tile ceiling	195	1195
A-type T15 & T24 tile ceiling	295	1195

LINEA BLIP IV 200X1200/300X1200



SYSTEM PWR	LUM. FLUX	CRI	CCT
23W	3724 - 3971 lm	80	3000K - 4000K
37W	5719 - 6099 lm	80	3000K - 4000K



AVAILABLE FOR	A	B
A-type T15 & T24 tile ceiling	195	1195
A-type T15 & T24 tile ceiling	295	1195

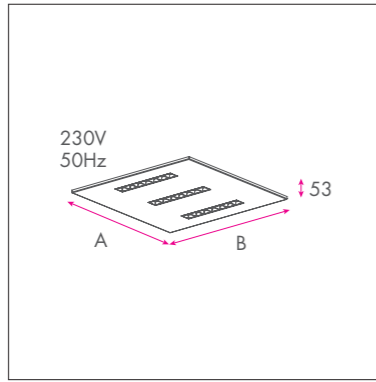
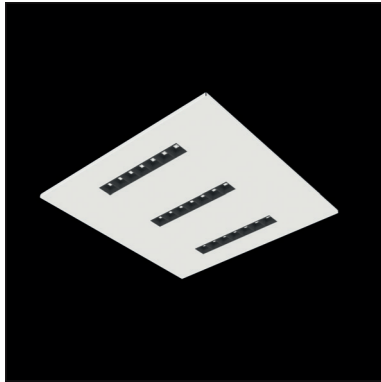
GENERAL INFO

- **Design & features**
 - Recessed luminaire
 - Luminaire for tile ceiling systems
 - Rectangular shape
 - Integrated led rows with lenses
- **Variations**
 - Available in 3 configurations: 2,3 and 4 lens modules
 - Available in 2 widths: 195 and 295 mm wide
- **Materials**
 - Sheet metal
 - PMMA lenses
- **Optics**
 - Mat or clear lenses
 - 60°, 90° or 110°
 - Low UGR
- **Power source**
 - Independent 230V AC driver
 - Driver included
 - Dali optional
- **Light distribution curves**
 - See 'Linea Blip' product page on our website



TELLO

TELLO II 600X600

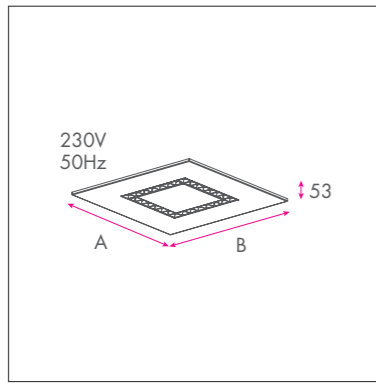
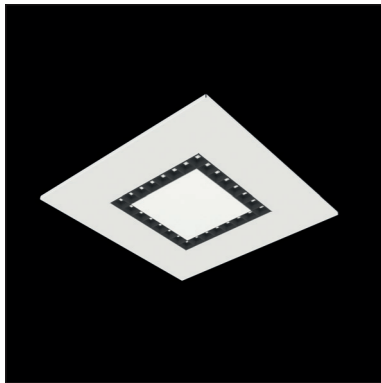


SYSTEM PWR	LUM. FLUX	CRI	CCT
15W	2454 - 2574 lm	80	3000K - 4000K
22W	3426 - 3591 lm	80	3000K - 4000K
31W	4641 - 4851 lm	80	3000K - 4000K



AVAILABLE FOR	A	B
A-type T15 & T24 tile ceiling	595	595
D-type T24 tile ceiling	599	599
X-type T24 tile ceiling	599	599
E-type T15 tile ceiling	585	585
E-type T24 tile ceiling	576	576

TELLO SQUARE 600X600



SYSTEM PWR	LUM. FLUX	CRI	CCT
15W	2454 - 2574 lm	80	3000K - 4000K
26W	4148 - 4340 lm	80	3000K - 4000K
35W	5344 - 5596 lm	80	3000K - 4000K
46W	6992 - 7320 lm	80	3000K - 4000K



AVAILABLE FOR	A	B
A-type T15 & T24 tile ceiling	595	595
D-type T24 tile ceiling	599	599
X-type T24 tile ceiling	599	599
E-type T15 tile ceiling	585	585
E-type T24 tile ceiling	576	576

GENERAL INFO

- Design & features

- Recessed luminaire
- Luminaire for tile ceiling systems
- Square shape
- Integrated led rows with lenses and louvers
- Low UGR

- Variations

- Available in 2 configurations: parallel and square placed leds

- Materials

- Sheet metal
- PMMA lenses
- ABS louvers

- Optics

- Clear lenses of 65° or 80°
- Mat black or mat metallic louvers
- Low UGR

- Power source

- Integrated 230V AC driver
- Driver included
- Dali optional
- Casambi optional (not for 46W)
- Masterconnect optional (not for 46W)

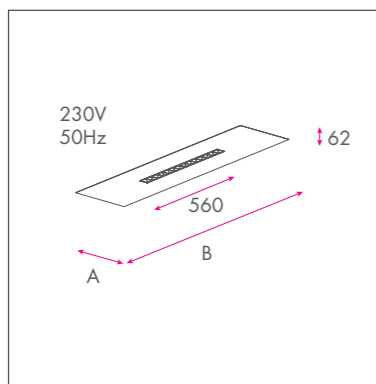
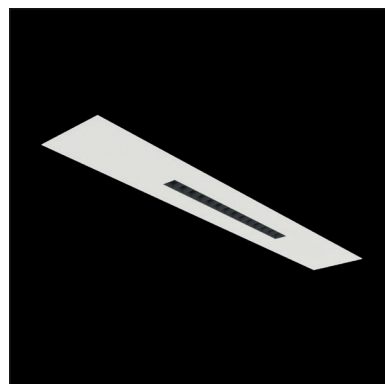
- Light distribution curves

- See 'Tello' product page on our website



LINEA DONNA 200X1200/300X1200

LINEA DONNA II 200X1200/300X1200

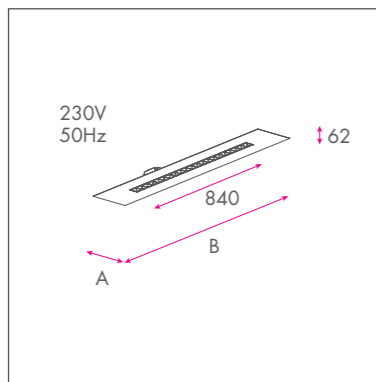
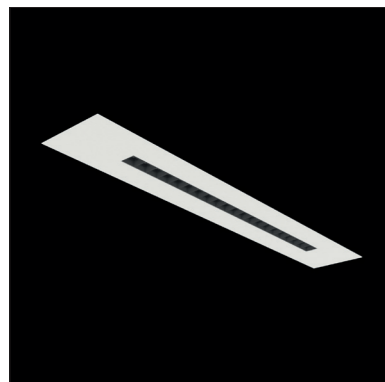


SYSTEM PWR	LUM. FLUX	CRI	CCT
15W	2066 - 2498 lm	80	3000 - 4000K
22W	2865 - 3466 lm	80	3000 - 4000K



AVAILABLE FOR	A	B
A-type T15 & T24 tile ceiling	195	1195
A-type T15 & T24 tile ceiling	295	1195

LINEA DONNA III 200X1200/300X1200

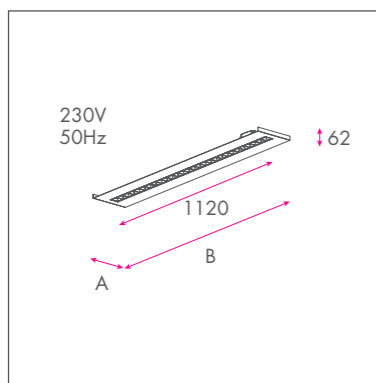


SYSTEM PWR	LUM. FLUX	CRI	CCT
15W	2123 - 2574 lm	80	3000 - 4000K
22W	2963 - 3591 lm	80	3000 - 4000K
31W	4014 - 4851 lm	80	3000 - 4000K



AVAILABLE FOR	A	B
A-type T15 & T24 tile ceiling	195	1195
A-type T15 & T24 tile ceiling	295	1195

LINEA DONNA IV 200X1200/300X1200



SYSTEM PWR	LUM. FLUX	CRI	CCT
15W	2142 - 2576 lm	80	3000 - 4000K
26W	3588 - 4340 lm	80	3000 - 4000K
35W	4623 - 5596 lm	80	3000 - 4000K
46W	6048 - 7320 lm	80	3000 - 4000K



AVAILABLE FOR	A	B
A-type T15 & T24 tile ceiling	195	1195
A-type T15 & T24 tile ceiling	295	1195

GENERAL INFO

- Design & features

- Recessed luminaire
- Luminaire for tile ceiling systems
- Rectangular shape
- Integrated led rows with lenses and louvers

- Variations

- Available in 3 configurations: 2,3 and 4 feet of leds and plexi cover
- Available in 2 widths: 195 and 295 mm wide

- Materials

- Sheet metal
- PMMA lenses
- Plastic louvers

- Optics

- Clear lenses of 65° or 80°
- Mat black or mat metallic louvers
- Low UGR

- Power source

- Independent 230V AC driver
- Driver included
- Dali optional
- Casambi optional (not for 46W)
- Masterconnect optional (not for 46W)

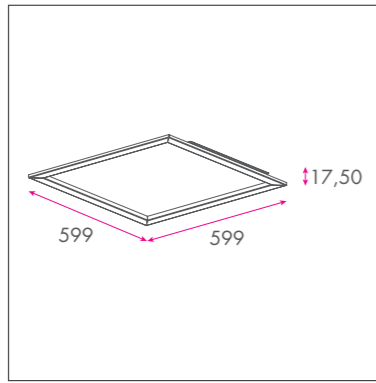
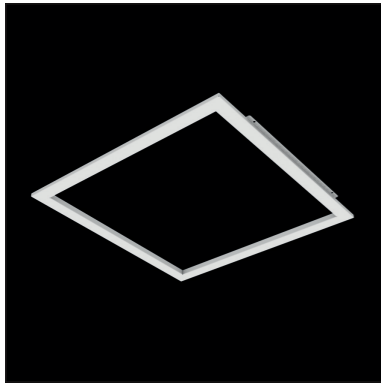
- Light distribution curves

- See 'Linea Donna' product page on our website



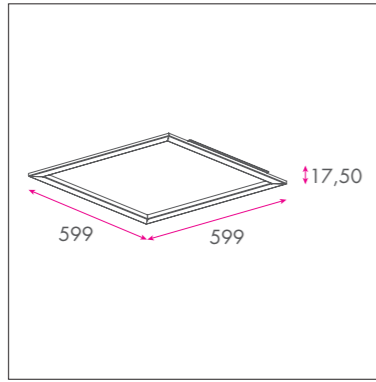
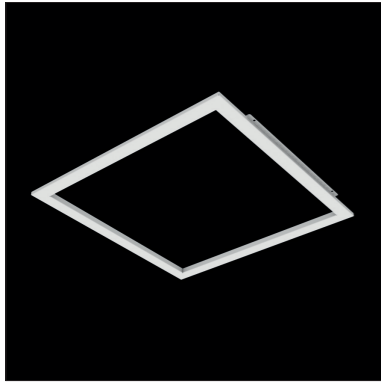
LED PANEL MOUNTING FRAME

LED PANEL MOUNTING FRAME 600X600 T24 D-TYPE



AVAILABLE FOR	A	B
D-type T24 tile ceiling	599	599

LED PANEL MOUNTING FRAME 600X600 T24 X-TYPE

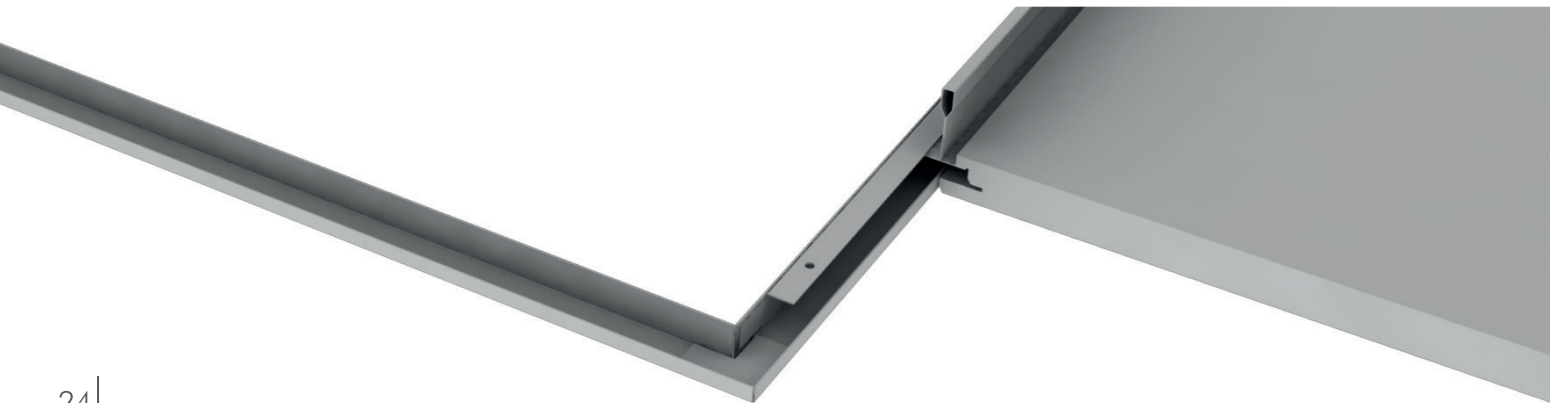


AVAILABLE FOR	A	B
X-type T24 tile ceiling	599	599

GENERAL INFO

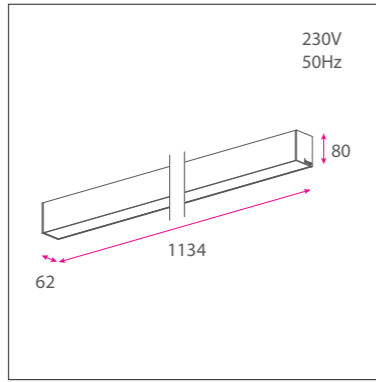
- **Design & features**
 - Powder coated frame
 - Compatible with most led panels
 - Quick and easy installation
 - Led panel not included

- **Variations**
 - Available for D- & X-type T24 ceilings
- **Materials**
 - Sheet metal



CENTERLINE UP T24

CENTERLINE UP T24 1134

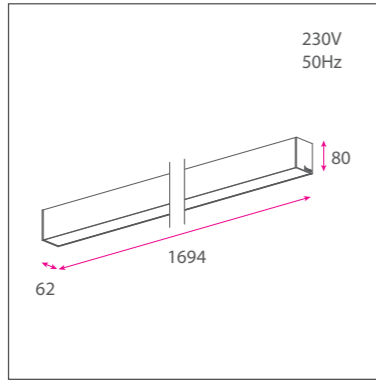


SYSTEM PWR	LUM. FLUX	CRI	CCT
17W	2406 - 2534 lm	80	3000 - 4000K
30W	4170 - 4390 lm	80	3000 - 4000K
40W	5516 - 5907 lm	80	3000 - 4000K
52W	7530 - 7928 lm	80	3000 - 4000K



AVAILABLE FOR
A-type T24 tile ceiling

CENTERLINE UP T24 1694

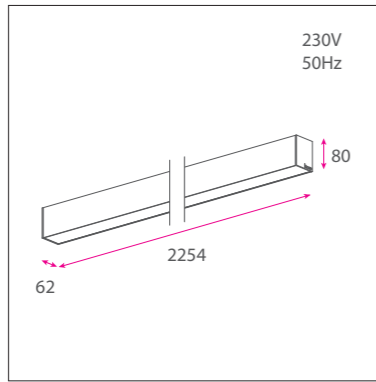


SYSTEM PWR	LUM. FLUX	CRI	CCT
24W	2983 - 3140 lm	80	3000 - 4000K
44W	6255 - 6585 lm	80	3000 - 4000K
58W	8948 - 9420 lm	80	3000 - 4000K
76W	11295 - 11892 lm	80	3000 - 4000K



AVAILABLE FOR
A-type T24 tile ceiling

CENTERLINE UP T24 2254

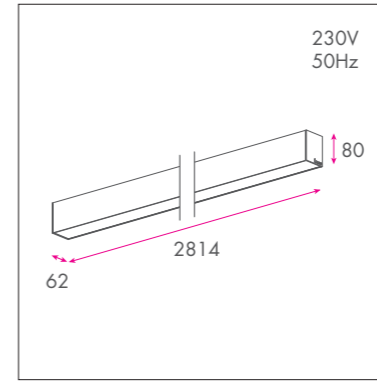


SYSTEM PWR	LUM. FLUX	CRI	CCT
31W	4812 - 5068 lm	80	3000 - 4000K
58W	8340 - 8780 lm	80	3000 - 4000K
77W	11930 - 12560 lm	80	3000 - 4000K
101W	15060 - 15856 lm	80	3000 - 4000K



AVAILABLE FOR
A-type T24 tile ceiling

CENTERLINE UP T24 2814

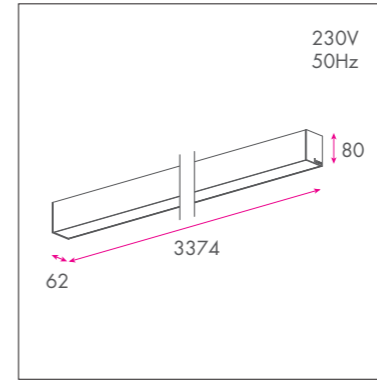


SYSTEM PWR	LUM. FLUX	CRI	CCT
40W	6015 - 6335 lm	80	3000 - 4000K
74W	10425 - 10975 lm	80	3000 - 4000K
98W	14915 - 15700 lm	80	3000 - 4000K
128W	18825 - 19820 lm	80	3000 - 4000K



AVAILABLE FOR
A-type T24 tile ceiling

CENTERLINE UP T24 3374

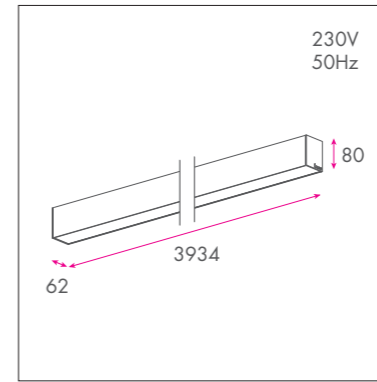


SYSTEM PWR	LUM. FLUX	CRI	CCT
47W	7218 - 7602 lm	80	3000 - 4000K
88W	12510 - 13170 lm	80	3000 - 4000K
116W	17898 - 18840 lm	80	3000 - 4000K
153W	22590 - 23784 lm	80	3000 - 4000K



AVAILABLE FOR
A-type T24 tile ceiling

CENTERLINE UP T24 3934



SYSTEM PWR	LUM. FLUX	CRI	CCT
55W	7530 - 7928 lm	80	3000 - 4000K
101W	14595 - 15365 lm	80	3000 - 4000K
135W	20881 - 21980 lm	80	3000 - 4000K
177W	26355 - 27748 lm	80	3000 - 4000K



AVAILABLE FOR
A-type T24 tile ceiling



GENERAL INFO

- Design & features

- Mounted luminaire
- Rectangular profile
- Powder coated aluminium
- Mounted to T24 profile with caddy clip
- Mounting clips can be placed anywhere on the ceiling

- Variations

- Available in many lengths: 1134/1694/2254/2814/3374
3943/4494/5054/5614/... mm

- Materials

- Aluminium extruded profile
- PMMA diffuser

- Optics

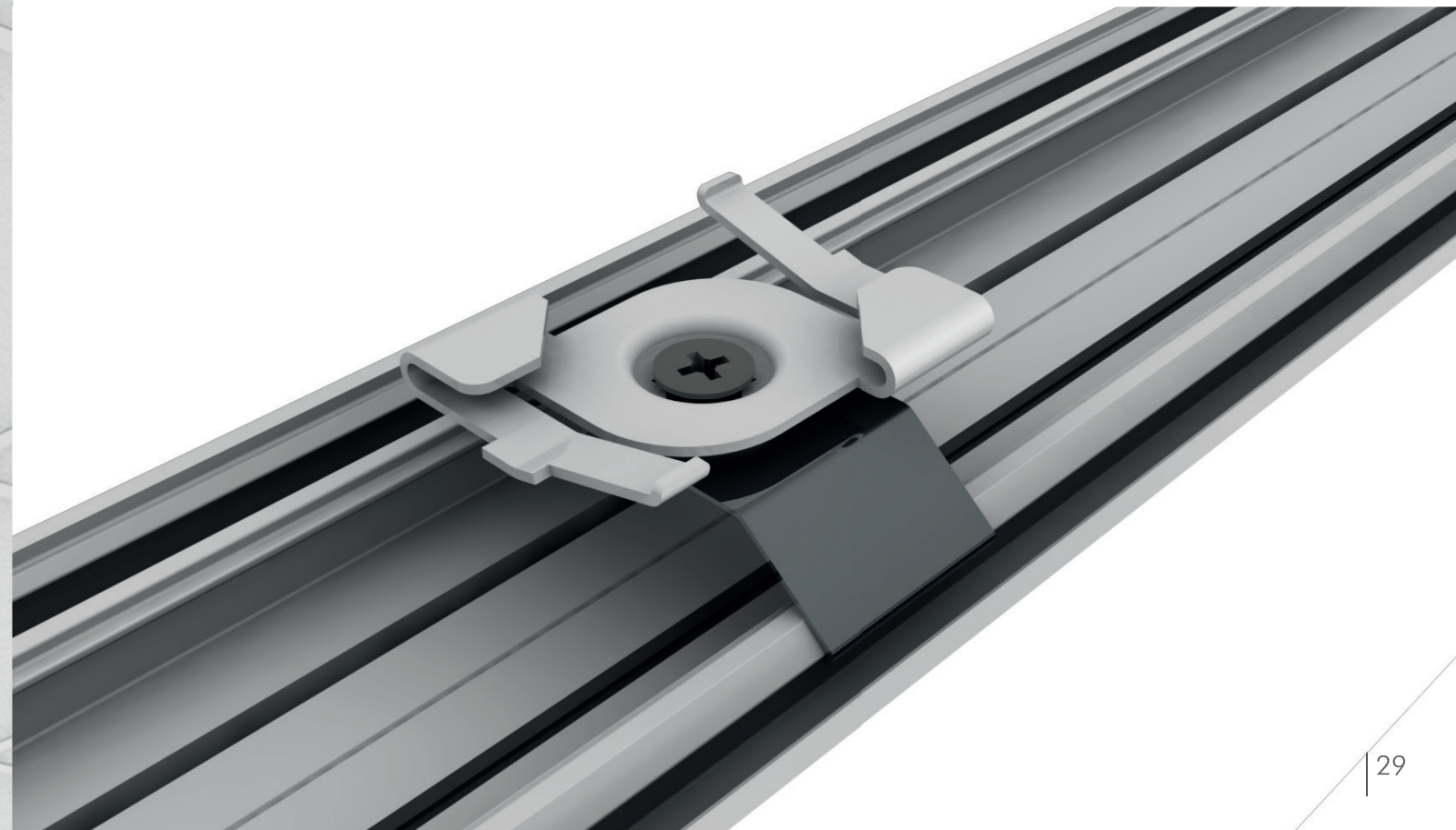
- Opal and/or micro-prismatic plexi

- Power source

- Integrated 230V AC drivers
- Dali optional
- Casambi optional

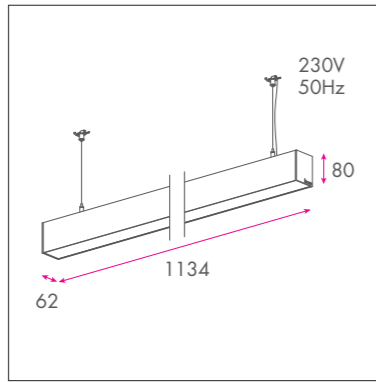
- Extra's

- Integrated 1 hour anti-panic or escape route emergency unit
- Integrated daylight and motion sensor



CENTERLINE AIR T24 (FIX CAJ INCL.)

CENTERLINE AIR 1134 + FIX CAJ

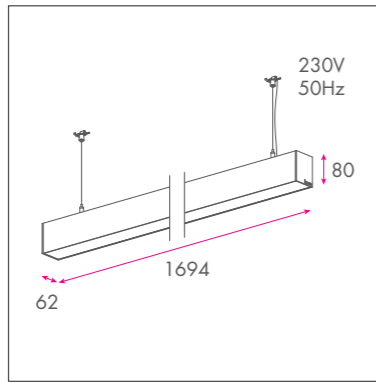


SYSTEM PWR	LUM. FLUX	CRI	CCT
17W	2406 - 2534 lm	80	3000 - 4000K
30W	4170 - 4390 lm	80	3000 - 4000K
40W	5516 - 5907 lm	80	3000 - 4000K
52W	7530 - 7928 lm	80	3000 - 4000K



AVAILABLE FOR
A-type T24 tile ceiling

CENTERLINE AIR 1694 + FIX CAJ

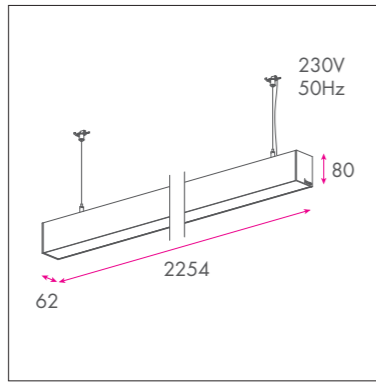


SYSTEM PWR	LUM. FLUX	CRI	CCT
24W	2983 - 3140 lm	80	3000 - 4000K
44W	6255 - 6585 lm	80	3000 - 4000K
58W	8948 - 9420 lm	80	3000 - 4000K
76W	11295 - 11892 lm	80	3000 - 4000K



AVAILABLE FOR
A-type T24 tile ceiling

CENTERLINE AIR 2254 + FIX CAJ

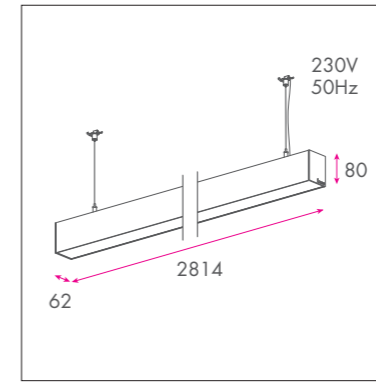


SYSTEM PWR	LUM. FLUX	CRI	CCT
31W	4812 - 5068 lm	80	3000 - 4000K
58W	8340 - 8780 lm	80	3000 - 4000K
77W	11930 - 12560 lm	80	3000 - 4000K
101W	15060 - 15856 lm	80	3000 - 4000K



AVAILABLE FOR
A-type T24 tile ceiling

CENTERLINE AIR 2814 + FIX CAJ

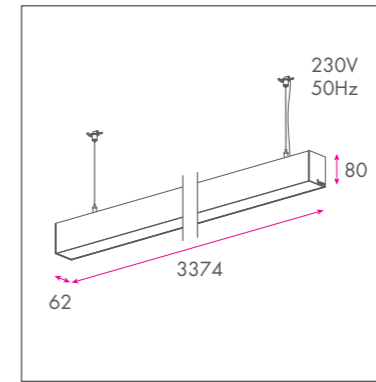


SYSTEM PWR	LUM. FLUX	CRI	CCT
40W	6015 - 6335 lm	80	3000 - 4000K
74W	10425 - 10975 lm	80	3000 - 4000K
98W	14915 - 15700 lm	80	3000 - 4000K
128W	18825 - 19820 lm	80	3000 - 4000K



AVAILABLE FOR
A-type T24 tile ceiling

CENTERLINE AIR 3374 + FIX CAJ

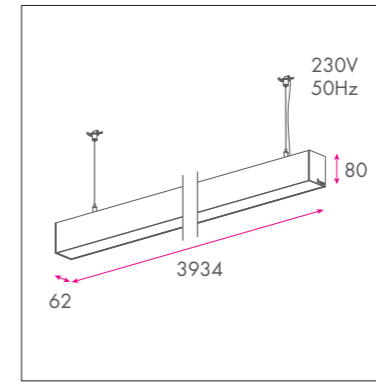


SYSTEM PWR	LUM. FLUX	CRI	CCT
47W	7218 - 7602 lm	80	3000 - 4000K
88W	12510 - 13170 lm	80	3000 - 4000K
116W	17898 - 18840 lm	80	3000 - 4000K
153W	22590 - 23784 lm	80	3000 - 4000K



AVAILABLE FOR
A-type T24 tile ceiling

CENTERLINE AIR 3934 + FIX CAJ



SYSTEM PWR	LUM. FLUX	CRI	CCT
55W	7530 - 7928 lm	80	3000 - 4000K
101W	14595 - 15365 lm	80	3000 - 4000K
135W	20881 - 21980 lm	80	3000 - 4000K
177W	26355 - 27748 lm	80	3000 - 4000K



AVAILABLE FOR
A-type T24 tile ceiling



GENERAL INFO

- Design & features

- Suspended luminaire
- Rectangular profile
- Powder coated aluminium
- Suspended to T24 profile with caddy clip (FIX CAJ)
- Mounting clips can be placed anywhere on the ceiling

- Variations

- Available in many lengths: 1134/1694/2254/2814/3374/3943/4494/5054/5614/... mm

- Materials

- Aluminium extruded profile
- PMMA diffuser

- Optics

- Opal and/or micro-prismatic plexi

- Power source

- Integrated 230V AC drivers
- Dali optional
- Casambi optional

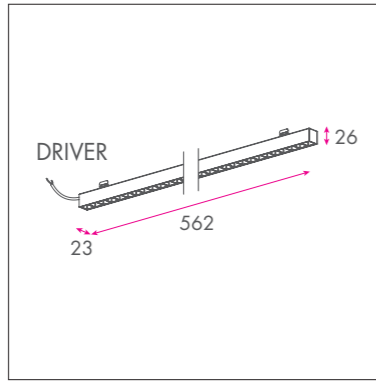
- Extra's

- Integrated 1 hour anti-panic or escape route emergency unit
- Integrated daylight and motion sensor



STRETTO UP T24

STRETTO UP T24 560

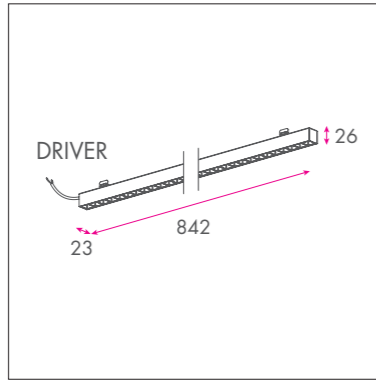


SYSTEM PWR	LUM. FLUX	CRI	CCT
16W	2292 - 2412 lm	80	3000 - 4000K
23W	3130 - 3282 lm	80	3000 - 4000K



AVAILABLE FOR
A-type T24 tile ceiling

STRETTO UP T24 840

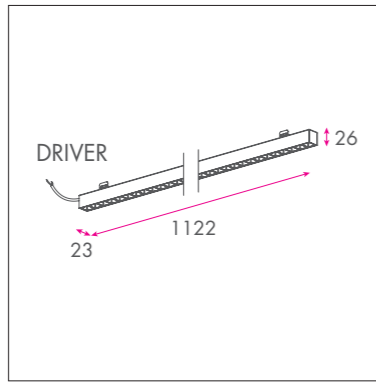


SYSTEM PWR	LUM. FLUX	CRI	CCT
16W	2361 - 2475 lm	80	3000 - 4000K
22W	3294 - 3465 lm	80	3000 - 4000K
32W	4428 - 4656 lm	80	3000 - 4000K



AVAILABLE FOR
A-type T24 tile ceiling

STRETTO UP T24 1120

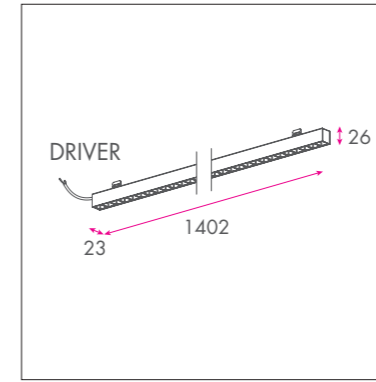


SYSTEM PWR	LUM. FLUX	CRI	CCT
15W	2380 - 2500 lm	80	3000 - 4000K
26W	3980 - 4184 lm	80	3000 - 4000K
36W	5172 - 5436 lm	80	3000 - 4000K
48W	6516 - 6852 lm	80	3000 - 4000K



AVAILABLE FOR
A-type T24 tile ceiling

STRETTO UP T24 1400



SYSTEM PWR	LUM. FLUX	CRI	CCT
15W	2390 - 2515 lm	80	3000 - 4000K
26W	4030 - 4240 lm	80	3000 - 4000K
35W	5280 - 5550 lm	80	3000 - 4000K
47W	6745 - 7095 lm	80	3000 - 4000K



AVAILABLE FOR
A-type T24 tile ceiling





GENERAL INFO

- Design & features

- Linear profile
- UGR<19 for entire range
- Mat black louvers with integrated lenses
- Mounted to T24 profile by bending metal tabs
- Can be placed anywhere in the tile ceiling
- Powder coated in black (RAL 9005) or white (RAL 9016 TEX)
- Powered by external driver on top of tile

- Variations

- Available in 4 lengths: 560, 840, 1120 & 1400 mm

- Materials

- Steel profile
- PMMA lenses
- Polycarbonate louvers

- Optics

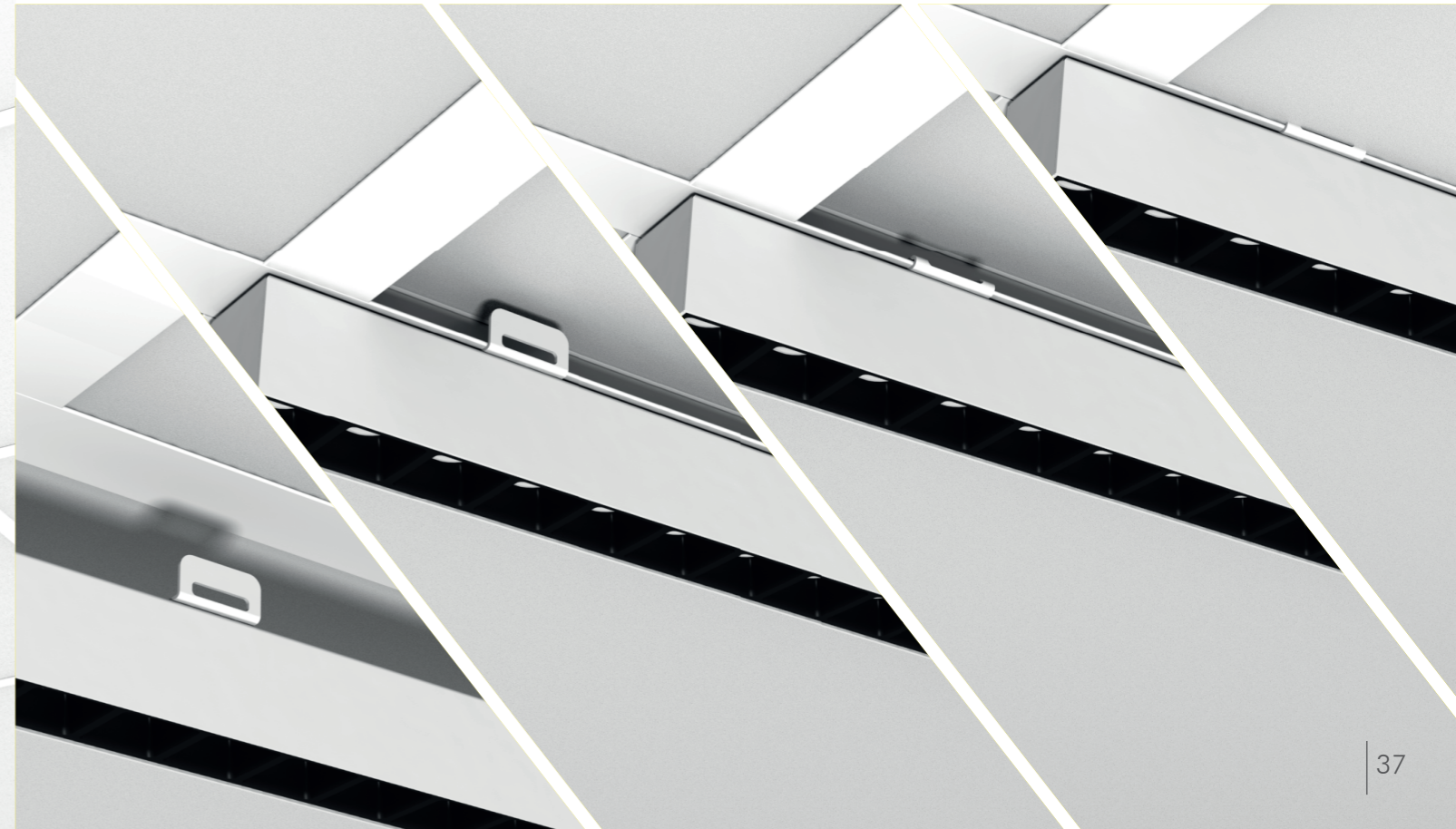
- Clear lenses of 55°
- Mat black louvers

- Power source

- Independent 230V AC driver
- Fixed driver included
- Dali optional
- Casambi optional
- Masterconnect optional

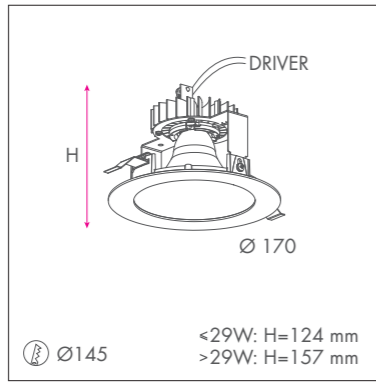
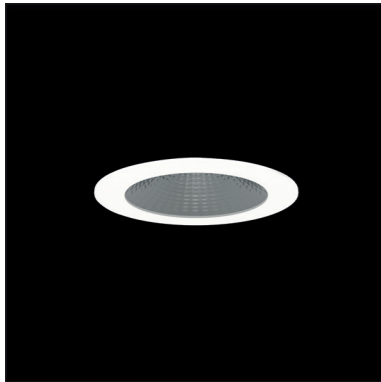
- Extra's

- 1,5m cable with Wieland male
- Integrated anti-panic module



APOLLO

APOLLO 170



SYSTEM PWR	LUM. FLUX	CRI	CCT
14W	1929 lm	80	3000K
	2009 lm		4000K
	1543 lm	92	2700K
20W	1601 lm	80	3000K
	1725 lm		4000K
	2640 lm	92	2700K
24W	2750 lm	80	3000K
	3213 lm		4000K
	2464 lm	92	2700K
29W	2558 lm	80	3000K
	2757 lm		4000K
	3506 lm	92	2700K
31W	3653 lm	80	3000K
	4176 lm		4000K
	2801 lm	92	2700K
39W	2907 lm	80	3000K
	3134 lm		4000K
	4176 lm	92	2700K
35W	3330 lm	80	3000K
	3732 lm		4000K
	3000 lm	95	Dim to warm 1800 - 3000K
19W	1496 lm	85	Meat
	2064 lm		Meat
	277W	2992 lm	85
19W	1552 lm	85	Gold
	2142 lm		Gold
	277W	3104 lm	85



GENERAL INFO

- Design & features

- Recessed luminaire
- Round shape
- Flat ceiling ring

- Variations

- available in 3 diameters: 170, 190 & 215 mm

- Materials

- Aluminium ceiling ring
- Aluminium reflector
- Aluminium heatsink

- Optics

- Aluminium faceted reflector
- 55°
- low UGR

- Power source

- Independent 230V AC driver
- Driver included
- Dali optional
- Casambi optional
- Phasecut optional

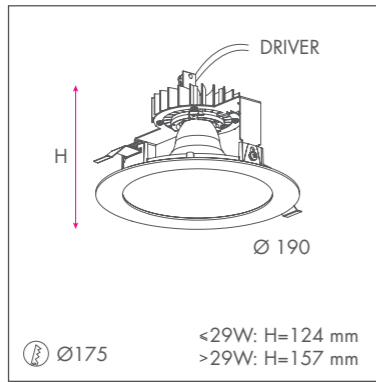
- Extra's

- Integrated anti-panic emergency unit of 1 hour
- Protective frosted glass

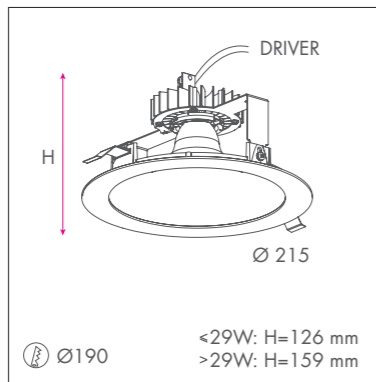
- Light distribution curves

- See 'Apollo' product page on our website

APOLLO 190

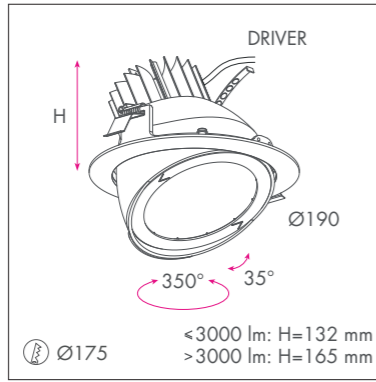


APOLLO 215



SCOOP

SCOOP



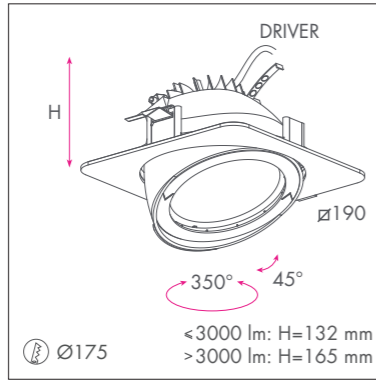
SYSTEM PWR	LUM. FLUX	CRI	CCT
14W	1929 lm	80	3000K
	2009 lm		4000K
		1543 lm	92
20W	1601 lm	80	3000K
	1725 lm		4000K
		2640 lm	92
24W	2750 lm	80	3000K
			4000K
		3084 lm	92
29W	3213 lm	80	3000K
			4000K
		2464 lm	92
31W	2558 lm	80	3000K
	2757 lm		4000K
		3506 lm	92
39W	3653 lm	80	3000K
			4000K
		2801 lm	92
35W	2907 lm	80	3000K
			4000K
		3134 lm	92
19W	4176 lm	80	3000K
			4000K
		3330 lm	92
27W	3457 lm	80	3000K
			4000K
		3732 lm	92
42W	4519 lm	80	3000K
			4000K
		4732 lm	92
19W	5097 lm	80	3000K
			4000K
		3000 lm	95
19W	1496 lm	85	Meat
			Meat
		2064 lm	85
27W	2992 lm	85	Meat
			Meat
		19W	85
27W	1552 lm	85	Gold
			Gold
		2142 lm	85
42W	3104 lm	85	Gold
			Gold



GENERAL INFO

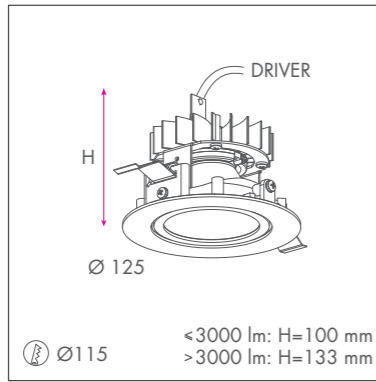
- **Design & features**
 - Recessed luminaire
 - Round and square shape
 - Rotates 350° and tilts 35°
- **Variations**
 - Available in a round and square shape
- **Materials**
 - Aluminium ceiling ring
 - Aluminium reflector
 - Aluminium heatsink
- **Optics**
 - Aluminium faceted reflector
 - Gold or silver reflector
 - 40 or 55°
- **Power source**
 - Independent 230V AC driver
 - Driver included
 - Dali optional
 - Casambi optional
 - Phasecut optional (for 19W up to 31W)
- **Extra's**
 - Integrated anti-panic emergency unit of 1 hour
 - Protective frosted glass
- **Light distribution curves**
 - See 'Scoop' product page on our website

SCOOP SQUARE



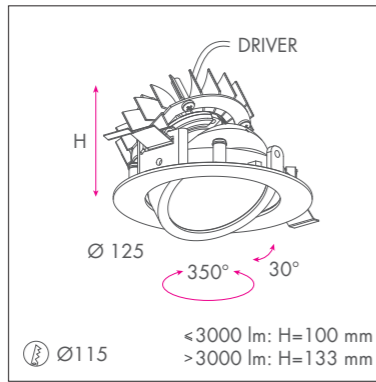
ORION

ORION

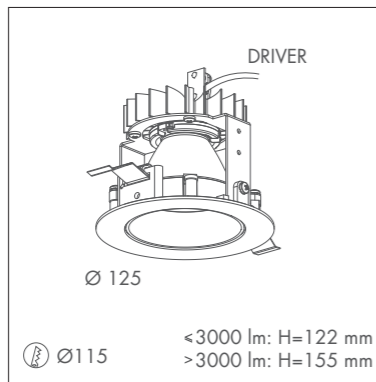


SYSTEM PWR	LUM. FLUX	CRI	CCT
14W	1929 lm	80	3000K
	2009 lm		4000K
	1543 lm	92	2700K
	1725 lm		4000K
20W	2640 lm	80	3000K
	2750 lm		4000K
24W	3084 lm	80	3000K
	3213 lm		4000K
	2464 lm	92	2700K
	2558 lm		3000K
29W	2757 lm	80	4000K
	3506 lm		3000K
	3653 lm	92	4000K
	2801 lm		2700K
31W	2907 lm	80	3000K
	3134 lm		4000K
	4176 lm	92	2700K
	4345 lm		3000K
39W	3330 lm	80	4000K
	3457 lm		3000K
	3732 lm	92	4000K
	4519 lm		2700K
35W	4732 lm	80	3000K
	5097 lm		4000K
	3000 lm	95	Dim to warm
			1800 - 3000K

ORION FLEX



ORION DEEP



GENERAL INFO

- Design & features

- Recessed luminaire
- Round shape
- Flat ceiling ring
- Rotates 350° and tilts 30°

- Variations

- Available in 3 variations: fixed, flexible and recessed light source

- Materials

- Aluminium ceiling ring
- Aluminium reflector
- Aluminium heatsink

- Optics

- Aluminium faceted reflector
- 40 or 55°

- Power source

- Independent 230V AC driver

- Driver included
- Dali optional
- Casambi optional
- Phasecut optional (for 19W up to 31W)

- Extra's

- Integrated anti-panic emergency unit of 1 hour
- Honeycomb louver
- Sandblasted gold or copper front ring

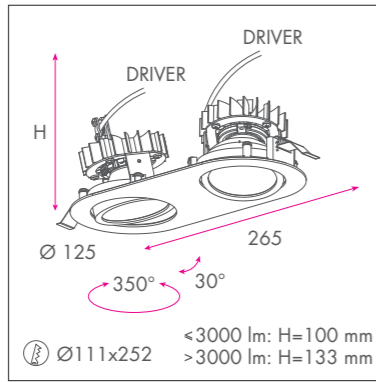
- Light distribution curves

- See 'Orion' product page on our website

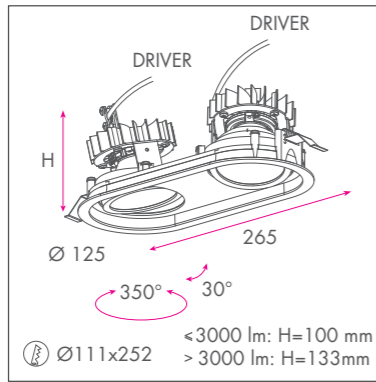


ORION II

ORION II FLEX FLAT



ORION II FLEX



SYSTEM PWR	LUM. FLUX	CRI	CCT
14W	1929 lm	80	3000K
	2009 lm		4000K
	1543 lm	92	2700K
20W	1601 lm	80	3000K
	1725 lm		4000K
	2640 lm	92	2700K
24W	2750 lm	80	3000K
	3213 lm		4000K
	2464 lm	92	2700K
29W	2558 lm	80	3000K
	2757 lm		4000K
	3506 lm	92	2700K
31W	2801 lm	80	3000K
	2907 lm		4000K
	3134 lm	92	2700K
39W	3330 lm	80	3000K
	3457 lm		4000K
	3732 lm	92	2700K
35W	4519 lm	80	3000K
	4732 lm		4000K
	5097 lm	92	2700K
35W	3000 lm	95	Dim to warm 1800 - 3000K
19W	1496 lm	85	Meat
27W	2064 lm	85	Meat
42W	2992 lm	85	Meat
19W	1552 lm	85	Gold
27W	2142 lm	85	Gold
42W	3104 lm	85	Gold



GENERAL INFO

- Design & features

- Recessed luminaire
- 2 flexible light sources
- Rounded rectangular shape
- Flat or recessed ceiling ring
- Rotates 350° and tilts 30°

- Variations

- Available in 2 variations: flat and recessed ceiling ring

- Materials

- Aluminium ceiling ring
- Aluminium reflector
- Aluminium heatsink

- Optics

- Aluminium faceted reflector
- 15°, 25°, 40°, 55°

- Power source

- Independent 230V AC driver
- Driver included
- Dali optional
- Casambi optional
- Phasecut optional (for 19W up to 31W)

- Extra's

- Integrated anti-panic emergency unit of 1 hour
- Honeycomb louver
- Sandblasted gold or copper front ring

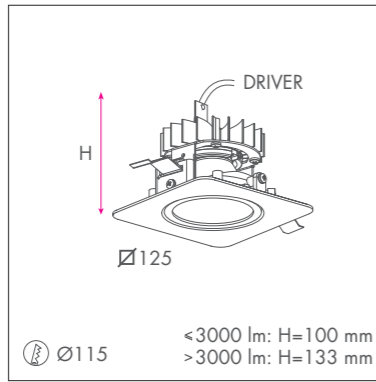
- Light distribution curves

- See 'Orion' product page on our website



NOVA

NOVA



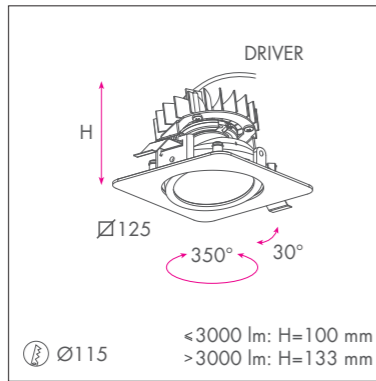
SYSTEM PWR	LUM. FLUX	CRI	CCT
14W	1929 lm	80	3000K
	2009 lm		4000K
	1543 lm	92	2700K
20W	1601 lm	80	3000K
	1725 lm		4000K
	2640 lm	92	2700K
24W	2750 lm	80	3000K
	3213 lm		4000K
	2464 lm	92	2700K
29W	2558 lm	80	3000K
	2757 lm		4000K
	3506 lm	92	2700K
31W	3653 lm	80	3000K
	2801 lm		92
	2907 lm	80	3000K
39W	3134 lm	80	3000K
	4176 lm		92
	4345 lm	80	3000K
35W	3330 lm	92	2700K
	3457 lm		3000K
	3732 lm	4000K	
19W	4519 lm	92	2700K
	4732 lm		3000K
	5097 lm	4000K	
27W	3000 lm	95	Dim to warm
			1800 - 3000K
	1496 lm	85	Meat
2064 lm	85	Meat	
2992 lm	85	Meat	
1552 lm	85	Gold	
2142 lm	85	Gold	
3104 lm	85	Gold	



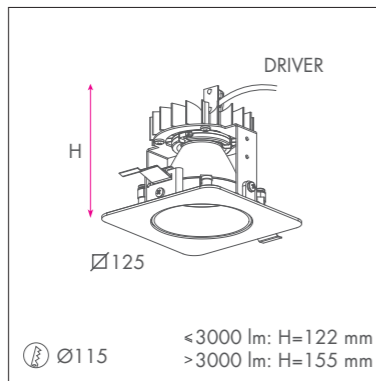
GENERAL INFO

- **Design & features**
 - Recessed luminaire
 - Rounded square shape
 - Flat ceiling ring
 - Rotates 350° and tilts 30°
- **Variations**
 - Available in 3 variations: fixed, flexible and recessed light source
- **Materials**
 - Aluminium ceiling ring
 - Aluminium reflector
 - Aluminium heatsink
- **Optics**
 - Aluminium faceted reflector
 - 40 or 55°
- **Power source**
 - Independent 230V AC driver
 - Driver included
 - Dali optional
 - Casambi optional
 - Phasecut optional (for 19W up to 31W)
- **Extra's**
 - Integrated anti-panic emergency unit of 1 hour
 - Honeycomb louver
 - Sandblasted gold or copper front ring
- **Light distribution curves**
 - See 'Nova' product page on our website

NOVA FLEX

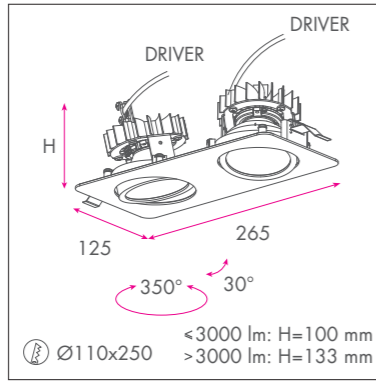


NOVA DEEP

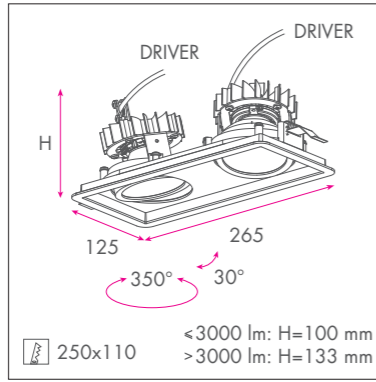


NOVA II

NOVA II FLEX FLAT



NOVA II FLEX



SYSTEM PWR	LUM. FLUX	CRI	CCT
14W	1929 lm	80	3000K
	2009 lm		4000K
	1543 lm		92 2700K
20W	1601 lm	80	3000K
	1725 lm		4000K
	2640 lm		92 2700K
24W	2750 lm	80	3000K
	3084 lm		4000K
	3213 lm		92 2700K
29W	2464 lm	80	3000K
	2558 lm		4000K
	2757 lm		92 2700K
31W	2801 lm	80	3000K
	2907 lm		4000K
	3134 lm		92 2700K
39W	3330 lm	80	3000K
	3457 lm		4000K
	3732 lm		92 2700K
35W	4519 lm	92	2700K
	4732 lm		3000K
	5097 lm		4000K
35W	3000 lm	95	Dim to warm 1800 - 3000K
19W	1496 lm	85	Meat
27W	2064 lm	85	Meat
42W	2992 lm	85	Meat
19W	1552 lm	85	Gold
27W	2142 lm	85	Gold
42W	3104 lm	85	Gold



GENERAL INFO

- Design & features

- Recessed luminaire
- 2 flexible light sources
- Rounded rectangular shape
- Flat or recessed ceiling ring
- Rotates 350° and tilts 35°

- Variations

- Available in 2 variations: flat and recessed ceiling ring

- Materials

- Aluminium ceiling ring
- Aluminium reflector
- Aluminium heatsink

- Optics

- Aluminium faceted reflector
- 15°, 25°, 40°, 55°

- Power source

- Independent 230V AC driver
- Driver included
- Dali optional
- Casambi optional
- Phasecut optional (for 19W up to 31W)

- Extra's

- Integrated anti-panic emergency unit of 1 hour
- Honeycomb louver
- Sandblasted gold or copper front ring

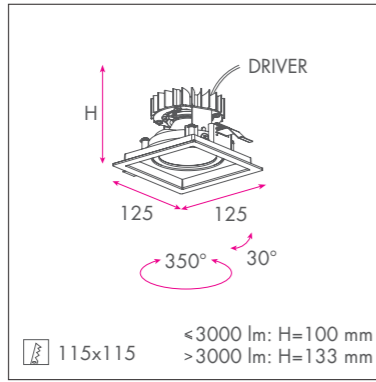
- Light distribution curves

- See 'Nova' product page on our website



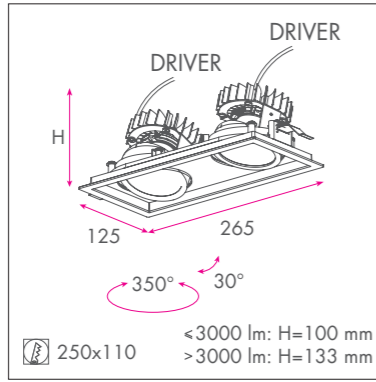
DION

DION FLEX



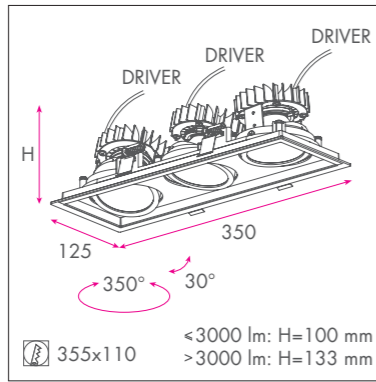
SYSTEM PWR	LUM. FLUX	CRI	CCT
14W	1929 lm	80	3000K
	2009 lm		4000K
	1543 lm	92	2700K
20W	1601 lm	80	3000K
	1725 lm		4000K
	2640 lm	92	2700K
24W	2558 lm	80	3000K
	2757 lm		4000K
	3084 lm	92	2700K
29W	3330 lm	80	3000K
	3457 lm		4000K
	3653 lm	92	2700K
31W	3732 lm	80	3000K
	4345 lm		4000K
	4176 lm	92	2700K
39W	4519 lm	80	3000K
	5097 lm		4000K
	4732 lm	92	2700K

DION II FLEX



35W	3000 lm	95	Dim to warm 1800 - 3000K
19W	1496 lm	85	Meat
	2064 lm		Meat
	2776 lm	85	Meat
27W	1552 lm	85	Gold
	2142 lm		Gold
	3104 lm	85	Gold

DION III DEEP



GENERAL INFO

- Design & features

- Recessed luminaire
- Square shape
- Recessed ceiling ring
- Rotates 350° and tilts 35°

- Variations

- Available in 3 variations: single, double and triple light source

- Materials

- Aluminium ceiling ring
- Aluminium reflector
- Aluminium heatsink

- Optics

- Aluminium faceted reflector
- 40 or 55°

- Power source

- Independent 230V AC driver
- Driver included

- Dali optional
- Casambi optional
- Phasecut optional (for 19W up to 31W)

- Extra's

- Integrated anti-panic emergency unit of 1 hour
- Honeycomb louver
- Sandblasted gold or copper front ring

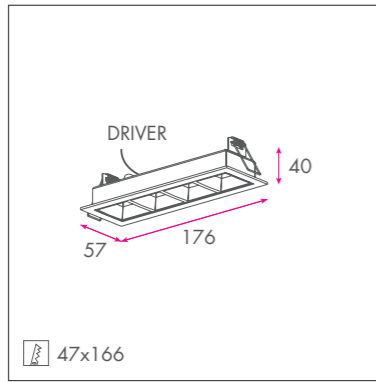
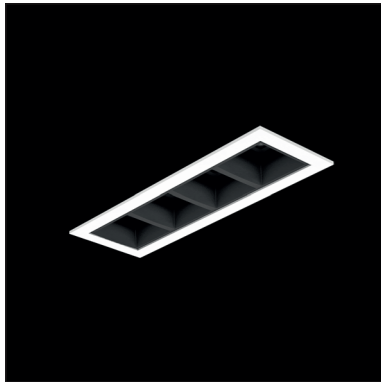
- Light distribution curves

- See 'Dion' product page on our website



MAGNUM

MAGNUM 180



SYSTEM PWR	LUM. FLUX	CRI	CCT
5W	648 - 681 lm	80	3000 - 4000K
8W	1023 - 1075 lm	80	3000 - 4000K
5W	569 - 608 lm	90	3000 - 4000K
8W	908 - 971 lm	90	3000 - 4000K



GENERAL INFO

- Design & features

- Recessed luminaire
- Rectangular or square housing
- Flat ceiling ring
- Mat black or mat metallic louvers

- Variations

- available in 5 variations; rectangular and square

- Materials

- Steel housing
- Plastic Louvers
- PMMA lenses

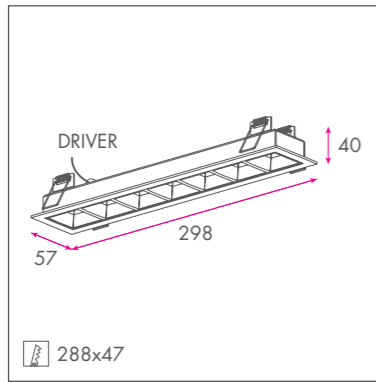
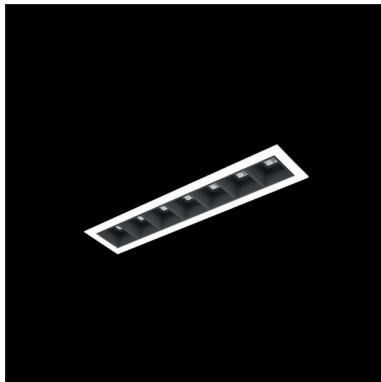
- Optics

- Mat black or mat metallic louvers
- Integrated lenses of 65° or 80°

- Power source

- Independent 230V AC driver
- Driver included
- Phasecut dimming included
- Dali optional (not for all power options)
- Casambi optional (not for all power options)
- Masterconnect optional (not for all power options)

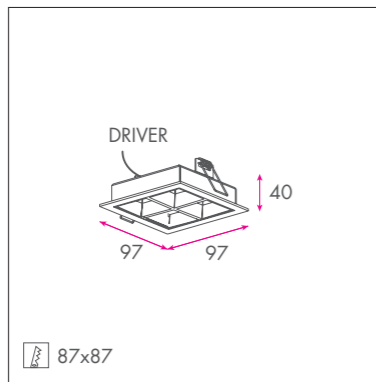
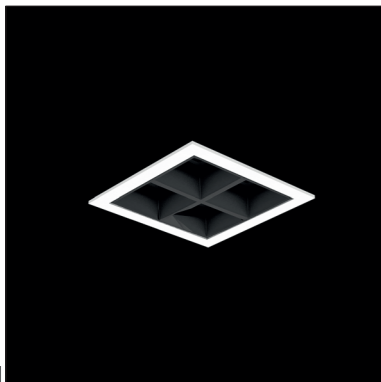
MAGNUM 300



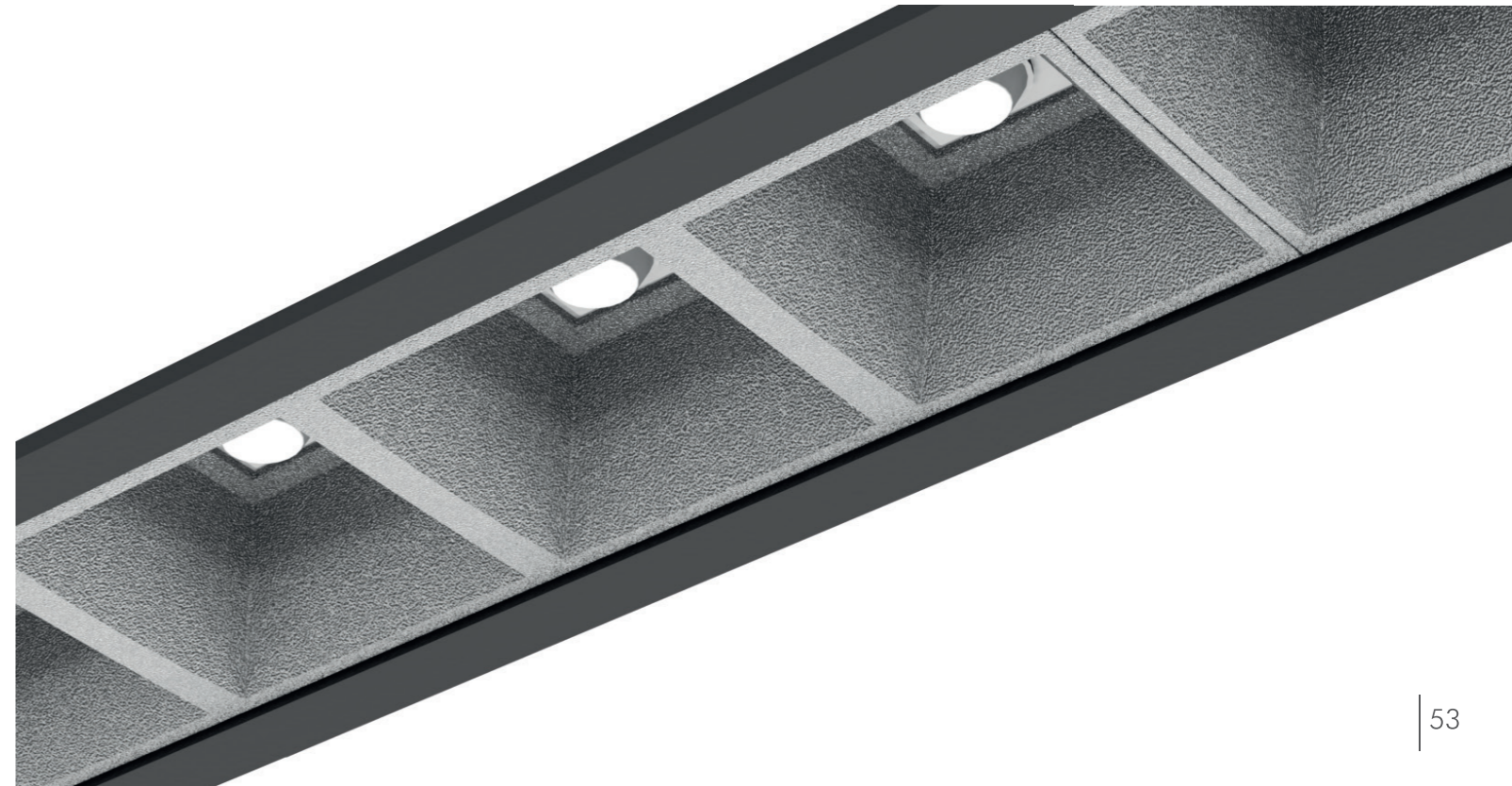
SYSTEM PWR	LUM. FLUX	CRI	CCT
6W	806 - 848 lm	80	3000 - 4000K
9W	1293 - 1359 lm	80	3000 - 4000K
14W	1809 - 1902 lm	80	3000 - 4000K
6W	704 - 753 lm	90	3000 - 4000K
9W	1117 - 1194 lm	90	3000 - 4000K
14W	1590 - 1699 lm	90	3000 - 4000K



MAGNUM SQUARE 100

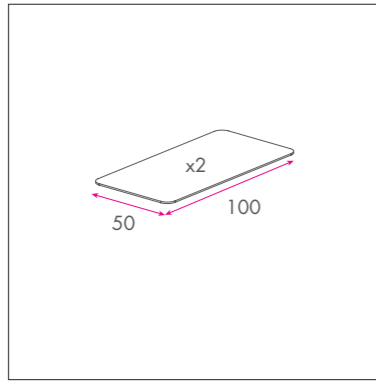
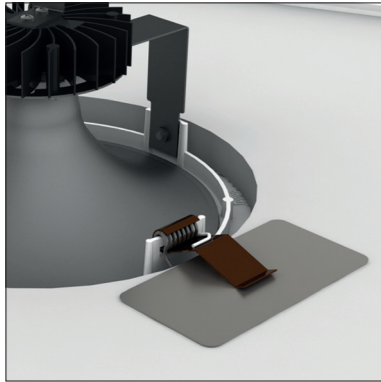


SYSTEM PWR	LUM. FLUX	CRI	CCT
5W	647 - 672 lm	80	3000 - 4000K
8W	1025 - 1065 lm	80	3000 - 4000K
14W	1676 - 1742 lm	80	3000 - 4000K
5W	569 - 591 lm	90	3000 - 4000K
8W	902 - 937 lm	90	3000 - 4000K
14W	1475 - 1533 lm	90	3000 - 4000K



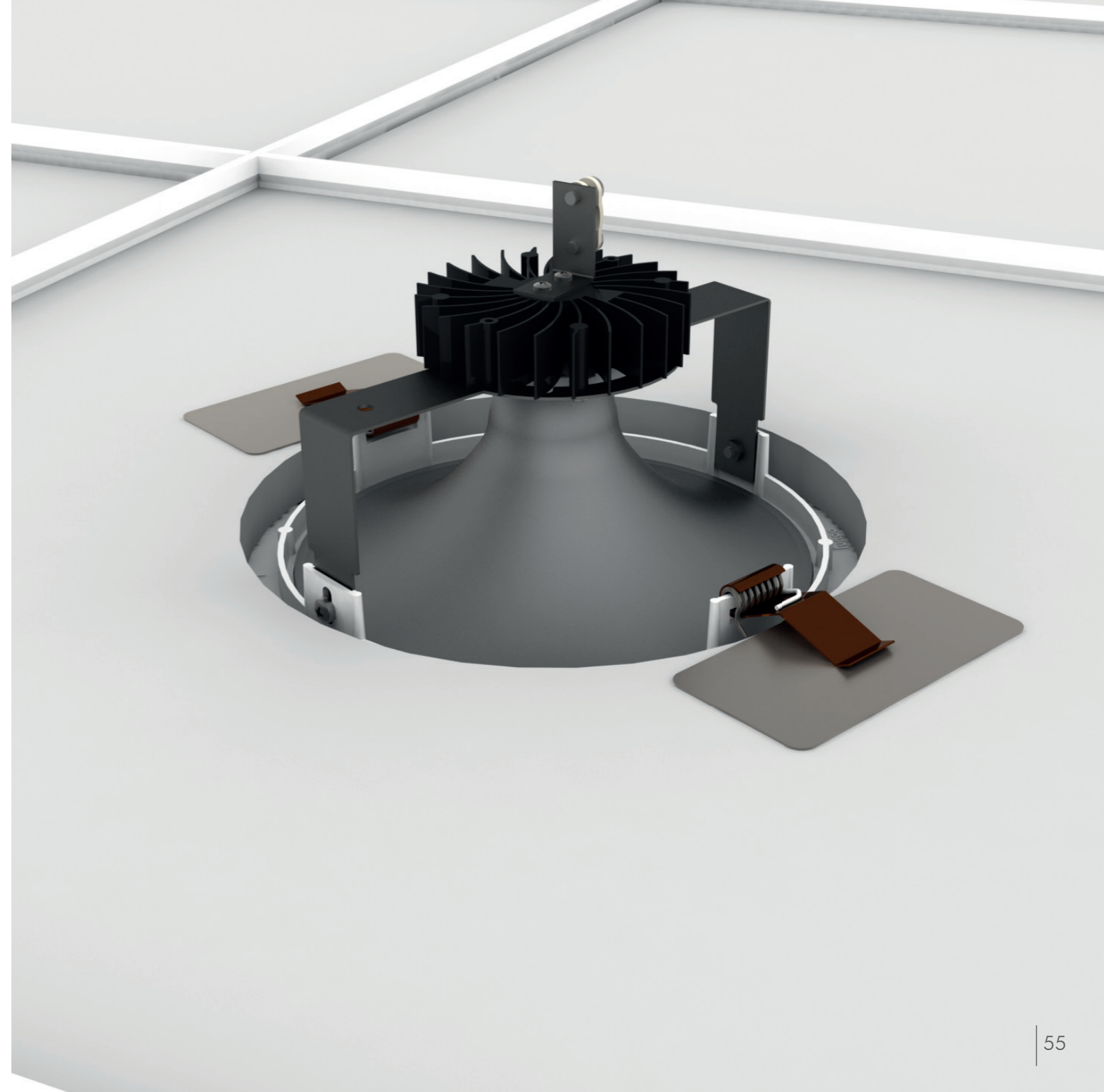
SUPPORT PLATES FOR DOWNLIGHTS

SUPPORT PLATES FOR DOWNLIGHTS (SET OF 2)



GENERAL INFO

- **Design**
 - Rectangular metal card
 - Prevents the installation springs from piercing through the softer 600x600 acoustic tile
 - Always delivered in a set of 2 cards
- **Materials**
 - Steel plate
 - Anti-corrosion treatment





Lunoo NV

Wantestraat 14
8780 Oostrozebeke
+32 56 676 100
info@lunoo.eu

lunoo[®]
the lighting company

"The power of light"