




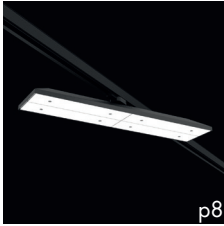



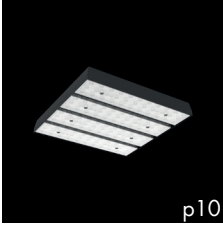
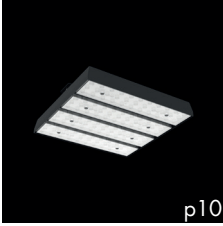
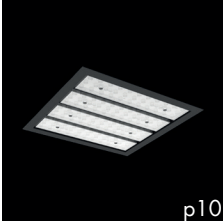
lunoo[®]
the lighting company
BRIDGE

RECESSED/CEILING MOUNTED/CABLE DUCT MOUNTED/SUSPENDED/TRACK MOUNTED

PROUDLY MADE IN BELGIUM

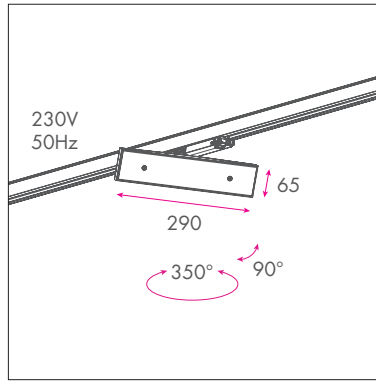


BRIDGE OVERVIEW

RAIL	UNO VERSO	BRIDGE UNO ALTO	BRIDGE DUO	BRIDGE QUATTRO	BRIDGE LUNGO
	 p4	 p4	 p6	 p8	 p10
	BRIDGE CARRE AIR	BRIDGE QUATTRO AIR			
	 p10	 p10			
	BRIDGE CARRE UP	BRIDGE CARRE DUCT			
MOUNTED	 p10	 p10			
	BRIDGE CARRE IN				
RECESSED	 p10				

BRIDGE UNO

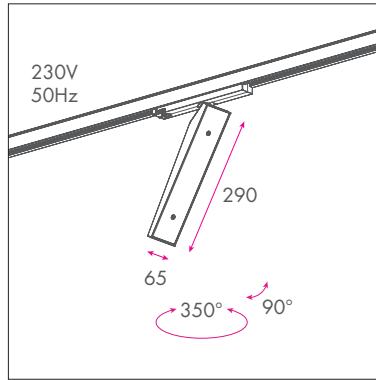
BRIDGE UNO VERSO



SYSTEM PWR	LUM. FLUX	CRI	CCT
33W	3588 - 3789 lm	80	3000K - 4000K



BRIDGE UNO ALTO



SYSTEM PWR	LUM. FLUX	CRI	CCT
33W	3588 - 3789 lm	80	3000K - 4000K



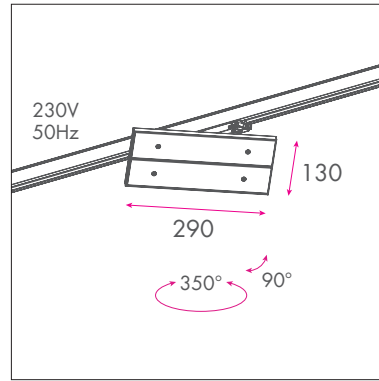
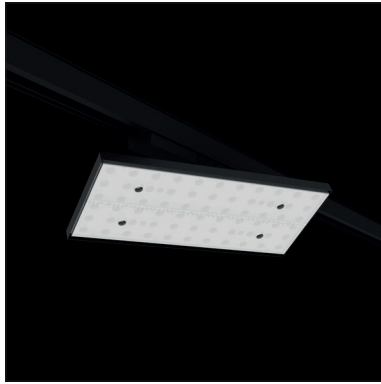
GENERAL INFO

- **Categorie**
 - Track mounted spot/downlight
- **Design & features**
 - Rectangular shape
 - Mounted on in-track adapter
 - Can be rotated 350°
- **Materials**
 - Sheet metal parts
 - Plastic adapters
 - PMMA lenses
- **Optics**
 - Mat or clear lenses
 - 30°, 60°, 90° or 110°
- **Power source**
 - Integrated 230V AC driver
 - Driver included
 - Dali optional
 - Casambi optional
 - Masterconnect optional



BRIDGE DUO

BRIDGE DUO



SYSTEM PWR	LUM. FLUX	CRI	CCT
33W	3588 - 3789 lm	80	3000K - 4000K



GENERAL INFO

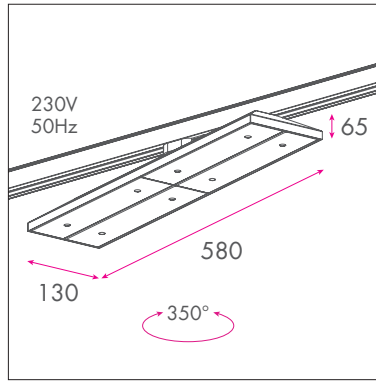
- **Categorie**
 - Track mounted spot/downlight
- **Design & features**
 - Rectangular shape
 - Mounted on in-track adapter
 - Can be rotated 350°
- **Materials**
 - Sheet metal parts
 - Plastic adapters
 - PMMA lenses
- **Optics**
 - Mat or clear lenses
 - 30°, 60°, 90° or 110°
- **Power source**
 - Integrated 230V AC driver
 - Driver included
 - Dali optional
 - Casambi optional
 - Masterconnect optional



BRIDGE

BRIDGE QUATRO

BRIDGE QUATRO



SYSTEM PWR	LUM. FLUX	CRI	CCT
33W	3588 - 3789 lm	80	3000K - 4000K



GENERAL INFO

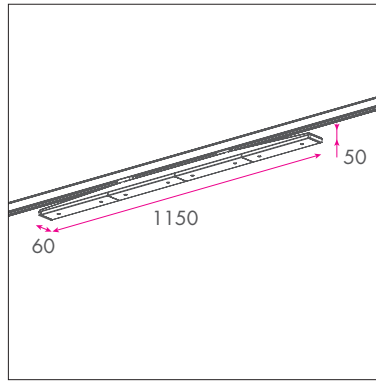
- **Categorie**
 - Track mounted spot/downlight
- **Design & features**
 - Rectangular shape
 - Mounted on in-track adapter
 - Can be rotated 350°
- **Materials**
 - Sheet metal parts
 - Plastic adapters
 - PMMA lenses
- **Optics**
 - Mat or clear lenses
 - 30°, 60°, 90° or 110°
- **Power source**
 - Integrated 230V AC driver
 - Driver included
 - Dali optional



BRIDGE

BRIDGE LUNGO

BRIDGE LUNGO



SYSTEM PWR	LUM. FLUX	CRI	CCT
33W	3588 - 3789 lm	80	3000K - 4000K



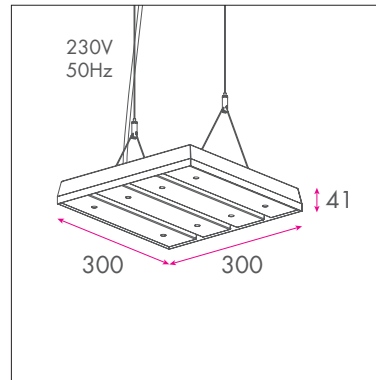
GENERAL INFO

- **Categorie**
 - Track mounted downlight
- **Design & features**
 - Rectangular shape
 - Mounted on in-track adapter
- **Materials**
 - Sheet metal parts
 - Plastic adapters
 - PMMA lenses
- **Optics**
 - Mat or clear lenses
 - 30°, 60°, 90° or 110°
- **Power source**
 - Integrated 230V AC driver
 - Driver included
 - Dali optional

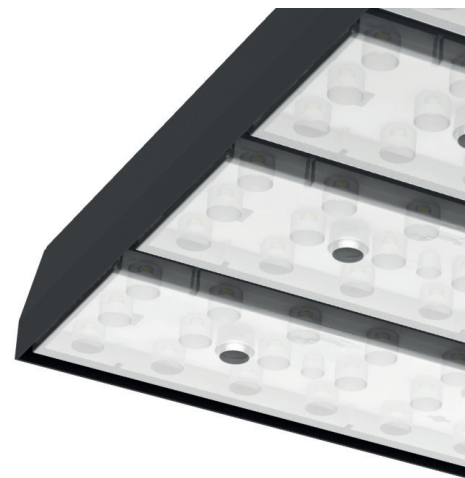
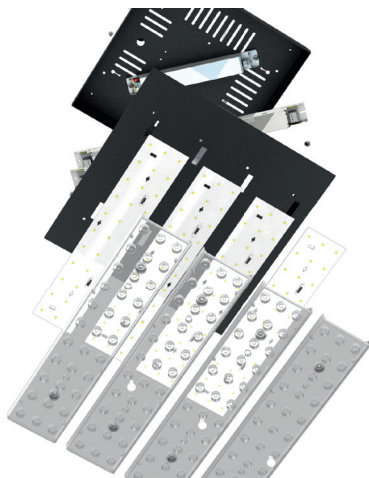
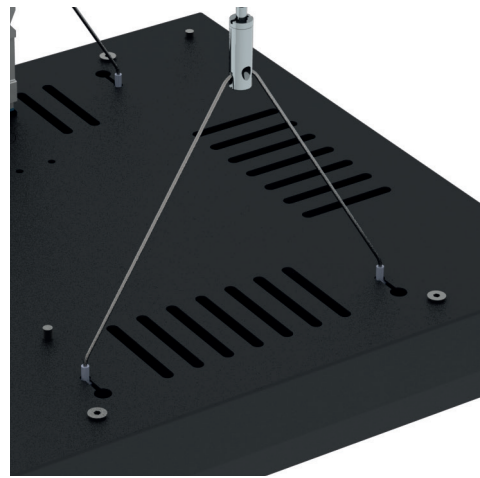


BRIDGE CARRE AIR

BRIDGE CARRE AIR



SYSTEM PWR	LUM. FLUX	CRI	CCT
33W	3588 - 3789 lm	80	3000K - 4000K



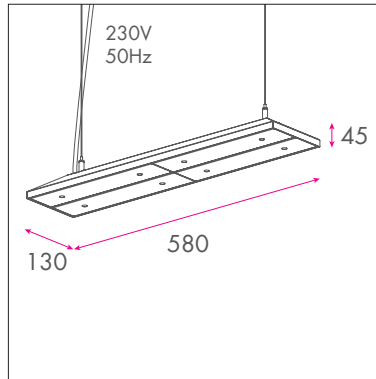
GENERAL INFO

- **Categorie**
 - Suspended downlight
- **Design & features**
 - Square shape
 - 2 suspension points
- **Materials**
 - Sheet metal parts
 - PMMA lenses
- **Optics**
 - Mat or clear lenses
 - 30°, 60°, 90° or 110°
- **Power source**
 - Integrated 230V AC driver
 - Driver included
 - Dali optional



BRIDGE QUATRO AIR

BRIDGE QUATRO AIR

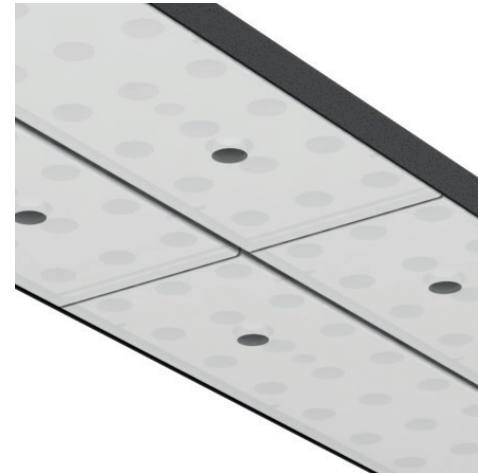
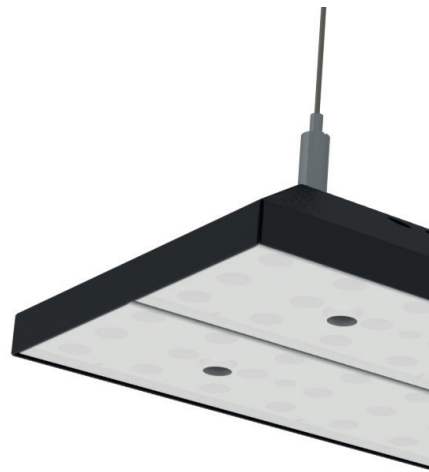


SYSTEM PWR	LUM. FLUX	CRI	CCT
33W	3588 - 3789 lm	80	3000K - 4000K



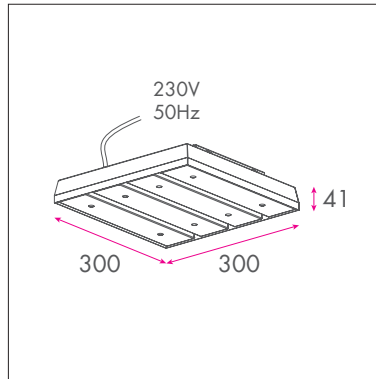
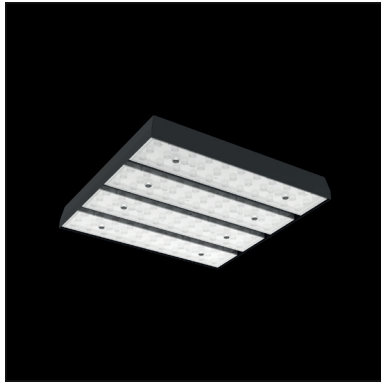
GENERAL INFO

- **Categorie**
 - Suspended downlight
- **Design & features**
 - Rectangular shape
 - 2 suspension points
- **Materials**
 - Sheet metal parts
 - PMMA lenses
- **Optics**
 - Mat or clear lenses
 - 30°, 60°, 90° or 110°
- **Power source**
 - Integrated 230V AC driver
 - Driver included
 - Dali optional

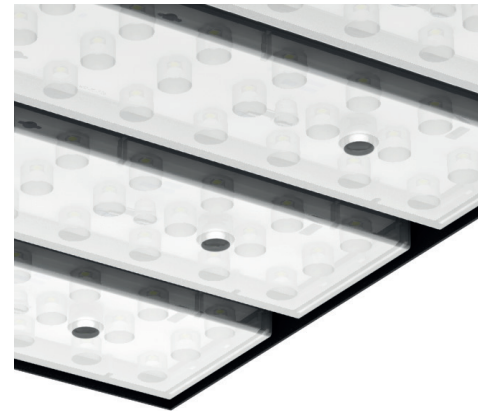
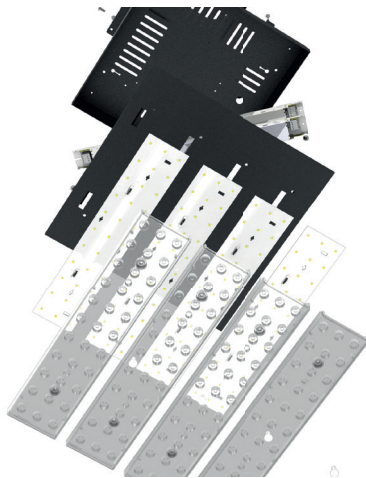


BRIDGE CARRE UP

BRIDGE CARRE UP

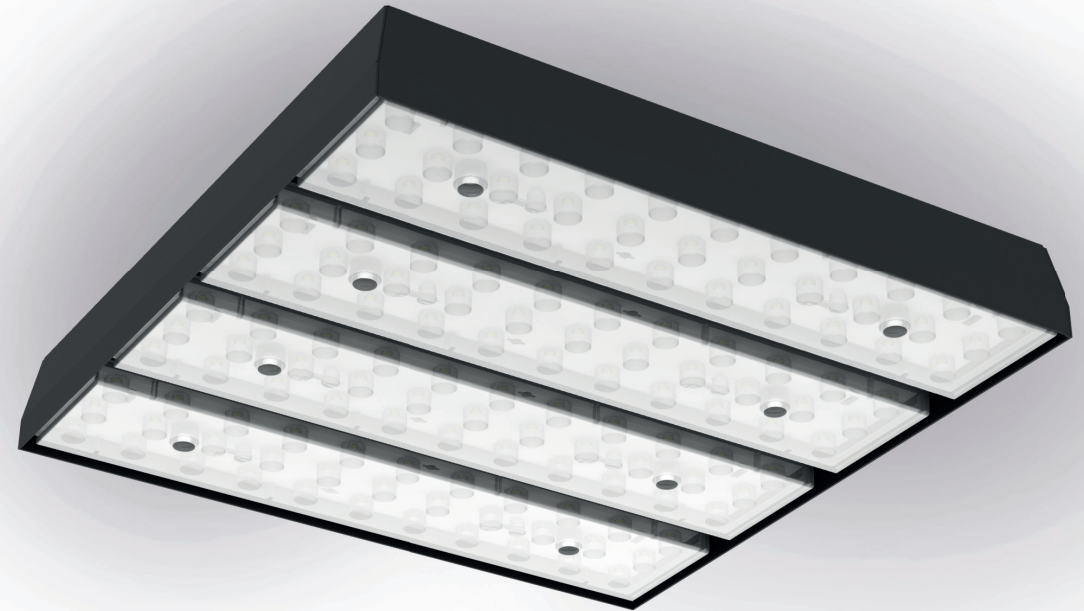


SYSTEM PWR	LUM. FLUX	CRI	CCT
33W	3588 - 3789 lm	80	3000K - 4000K



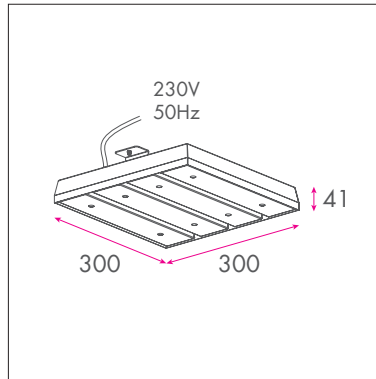
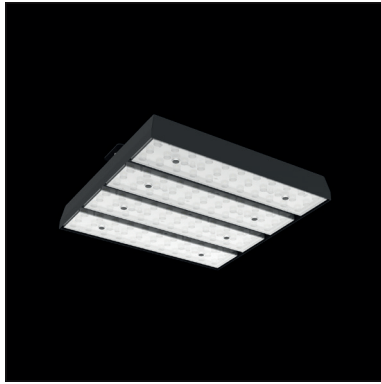
GENERAL INFO

- **Categorie**
 - Mounted downlight
- **Design & features**
 - Rectangular shape
 - System for easy installing
- **Materials**
 - Sheet metal parts
 - PMMA lenses
- **Optics**
 - Mat or clear lenses
 - 30°, 60°, 90° or 110°
- **Power source**
 - Integrated 230V AC driver
 - Driver included
 - Dali optional

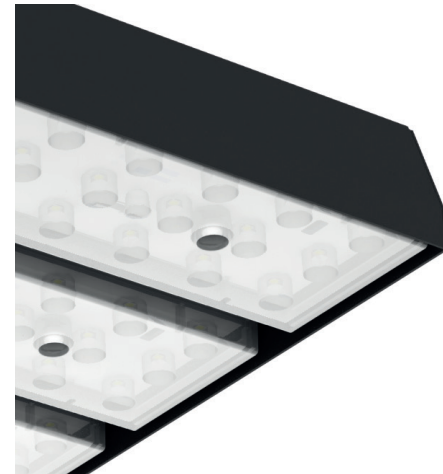
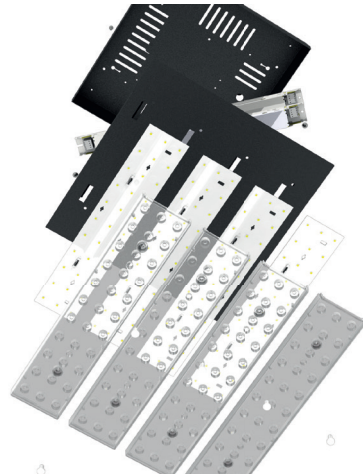
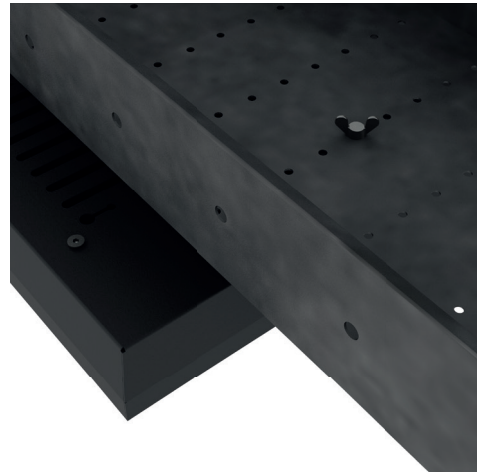


BRIDGE CARRE DUCT

BRIDGE CARRE DUCT

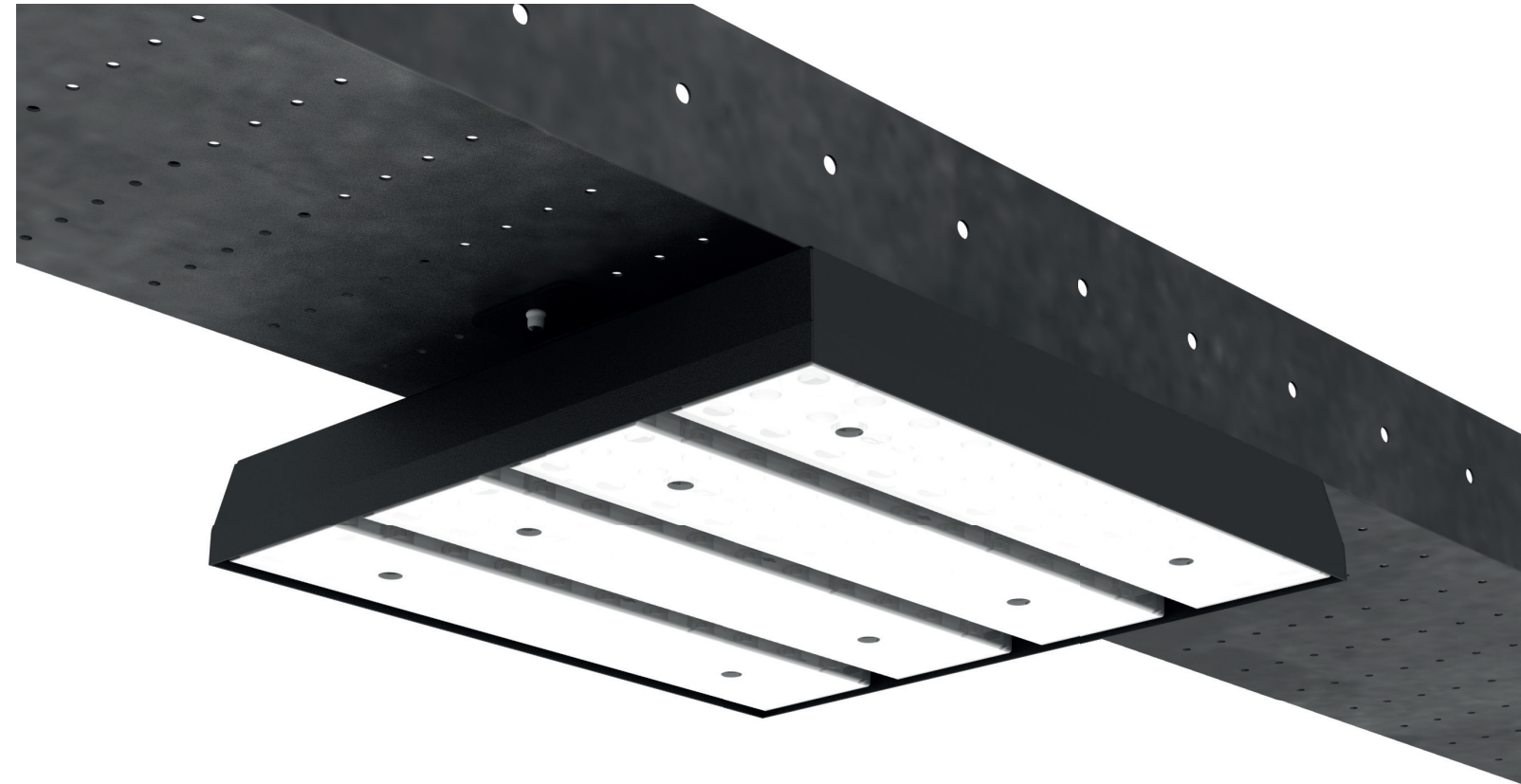


SYSTEM PWR	LUM. FLUX	CRI	CCT
33W	3588 - 3789 lm	80	3000K - 4000K



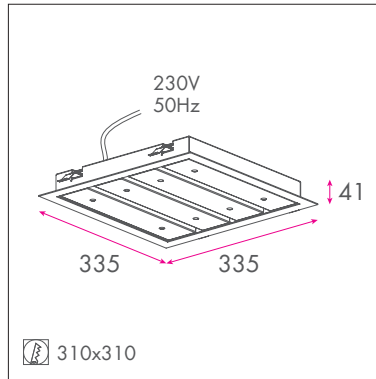
GENERAL INFO

- **Categorie**
 - Mounted downlight for cable ducts
- **Design & features**
 - Square shape
 - Fixed to cable duct with 2 wing screws
- **Materials**
 - Sheet metal parts
 - PMMA lenses
- **Optics**
 - Mat or clear lenses
 - 30°, 60°, 90° or 110°
- **Power source**
 - Integrated 230V AC driver
 - Driver included
 - Dali optional



BRIDGE CARRE IN

BRIDGE CARRE IN

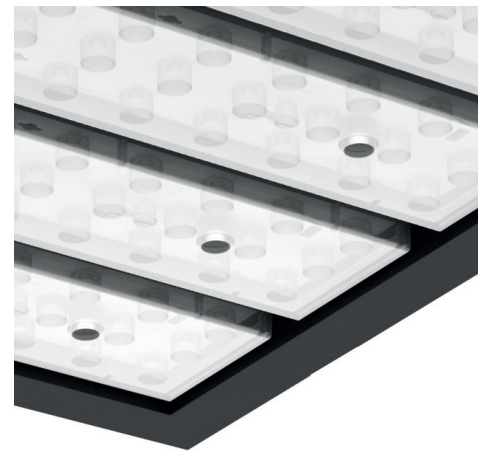
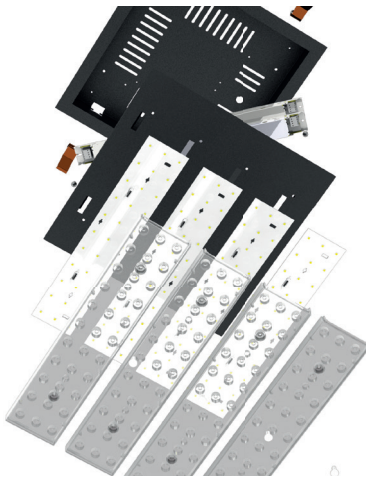
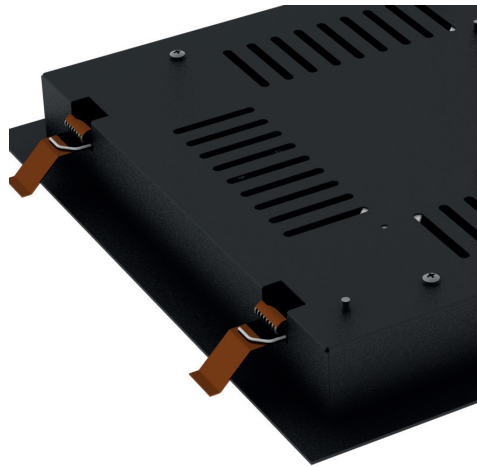


SYSTEM PWR	LUM. FLUX	CRI	CCT
33W	3588 - 3789 lm	80	3000K - 4000K



GENERAL INFO

- **Categorie**
 - Recessed downlight
- **Design & features**
 - Rectangular shape
 - Fixed with 4 coil springs
 - Ceiling cut-out of 310 x 310 mm
- **Materials**
 - Sheet metal parts
 - PMMA lenses
- **Optics**
 - Mat or clear lenses
 - 30°, 60°, 90° or 110°
- **Power source**
 - Integrated 230V AC driver
 - Driver included
 - Dali optional





Lunoo NV

Wantestraat 14
8780 Oostrozebeke
+32 56 676 100
info@lunoo.eu

lunoo[®]
the lighting company

"The power of light"