



**lunoo**  
The lighting company

# LUMINAIRES FOR CLOSED CLIMATE CEILINGS

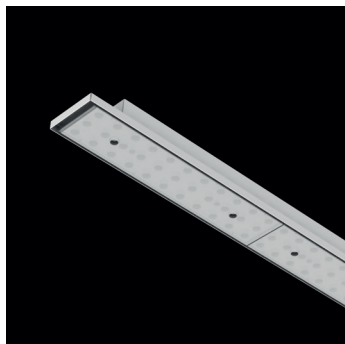
PROUDLY MADE IN BELGIUM



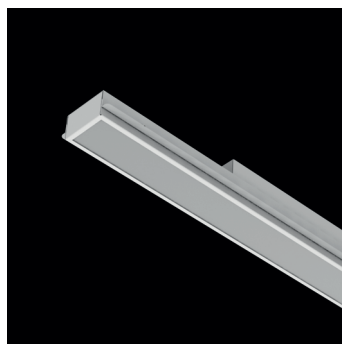
LUMINAIRES FOR CLOSED CLIMATE CEILINGS

# OVERVIEW

BLIP



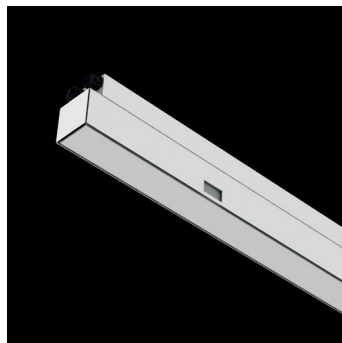
TESSO



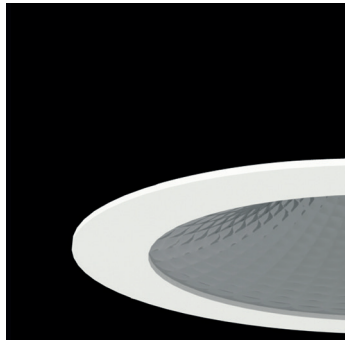
DONNA



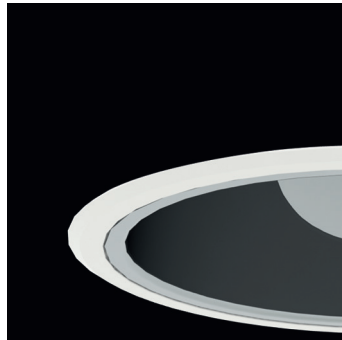
BELLO



APOLLO 170/190/215



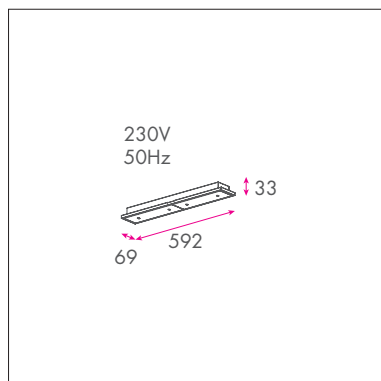
FIUS 185/220



# LUMINAIRES FOR CLOSED CLIMATE CEILINGS

## BLIP

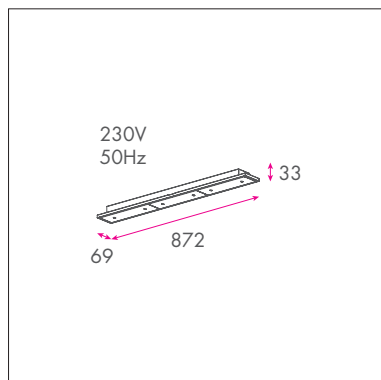
BLIP II



SYSTEM PWR	LUM. FLUX	CRI	CCT
11W	1862 - 1986 lm	80	3000 - 4000K
15W	2366 - 2518 lm	80	3000 - 4000K
18W	2860 - 3050 lm	80	3000 - 4000K



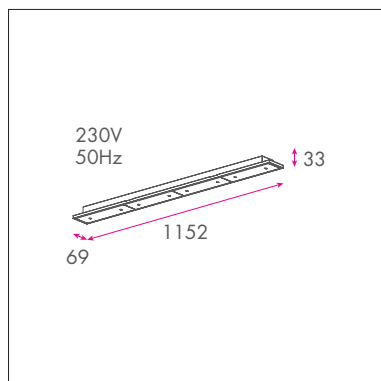
BLIP III



SYSTEM PWR	LUM. FLUX	CRI	CCT
17W	2793 - 2978 lm	80	3000 - 4000K
22W	3548 - 3776 lm	80	3000 - 4000K
27W	4289 - 4574 lm	80	3000 - 4000K



BLIP IV



SYSTEM PWR	LUM. FLUX	CRI	CCT
23W	3724 - 3971 lm	80	3000 - 4000K
37W	5719 - 6099 lm	80	3000 - 4000K
47W	7182 - 7657 lm	80	3000 - 4000K



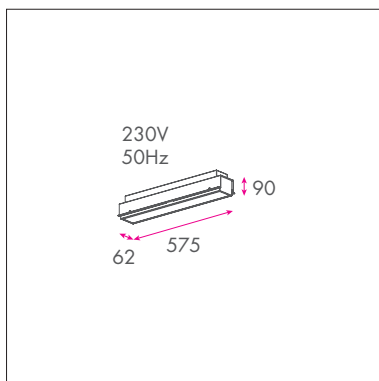
## GENERAL INFO

- **Design**
  - Linear profile
  - No visible edge
  - High efficiency lenses
  - Screwless installation
- **Variations**
  - available in 3 lengths:  
592, 872 & 1152 mm
- **Materials**
  - Sheet metal
  - PMMA lenses
- **Optics**
  - Mat or clear lenses
  - 60°, 90° or 110°
  - UGR<19
- **Power source**
  - Integrated 230V AC driver
  - Dali optional
- **Extra's**
  - Optional 1 hour emergency unit
  - Optional standalone presence detector
  - Snap-in Wieland male + 1,5m cable female
  - 1,5m cable with Wieland male
  - 1,5m cable with Wieland male + 1,5m cable with Wieland female
- **Light distribution curves**
  - See 'Blip' product page on our website



# TESSO

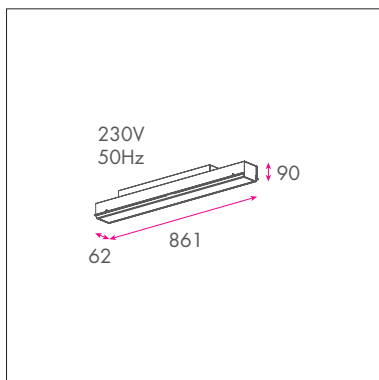
## TESSO II



SYSTEM PWR	LUM. FLUX	CRI	CCT
13W	1900 - 2040 lm	80	3000 - 4000K
19W	2580 - 2780 lm	80	3000 - 4000K
26W	3800 - 4080 lm	80	3000 - 4000K



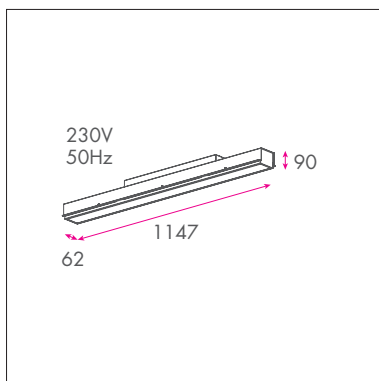
## TESSO III



SYSTEM PWR	LUM. FLUX	CRI	CCT
19W	2850 - 3060 lm	80	3000 - 4000K
28W	3870 - 4170 lm	80	3000 - 4000K
39W	5700 - 6120 lm	80	3000 - 4000K



## TESSO IV



SYSTEM PWR	LUM. FLUX	CRI	CCT
26W	3800 - 4080 lm	80	3000 - 4000K
38W	5160 - 5560 lm	80	3000 - 4000K
52W	7600 - 8160 lm	80	3000 - 4000K



## GENERAL INFO

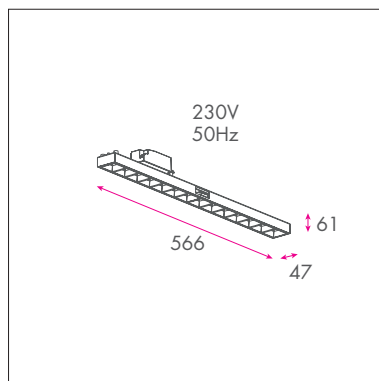
- **Design**
  - Linear profile
  - Plexi diffusor
  - Thin visible edge powder coated in white (standard RAL 9016 TEX, other colors on request)
  - Screwless installation
- **Variations**
  - available in 3 lengths:  
575, 861 & 1147 mm
- **Materials**
  - Sheet metal
  - PMMA diffusor
- **Optics**
  - Opal and/or prismatic plexi
- **Power source**
  - Integrated 230V AC driver
  - Dali optional
- **Extra's**
  - Optional 1 hour emergency unit
  - Optional standalone presence detector
  - Snap-in Wieland male + 1,5m cable female
  - 1,5m cable with Wieland male
  - 1,5m cable with Wieland male + 1,5m cable with Wieland female
- **Light distribution curves**
  - See 'Tesso' product page on our website



# LUMINAIRES FOR CLOSED CLIMATE CEILINGS

## DONNA

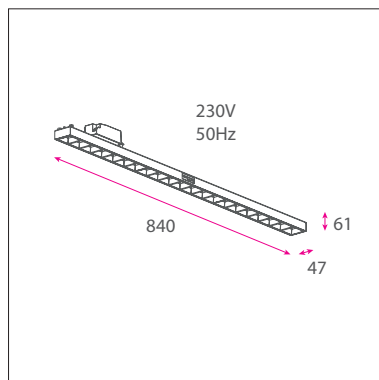
### DONNA II



SYSTEM PWR	LUM. FLUX	CRI	CCT
15W	2066 - 2498 lm	80	3000 - 4000K
22W	2865 - 3466 lm	80	3000 - 4000K



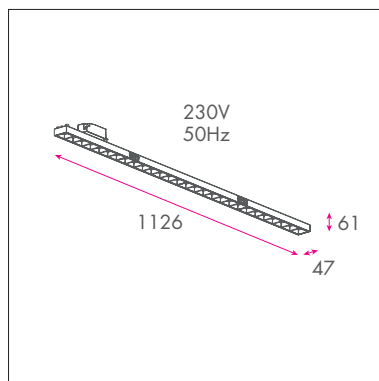
### DONNA III



SYSTEM PWR	LUM. FLUX	CRI	CCT
15W	2123 - 2574 lm	80	3000 - 4000K
22W	2963 - 3591 lm	80	3000 - 4000K
31W	4014 - 4851 lm	80	3000 - 4000K



### DONNA IV



SYSTEM PWR	LUM. FLUX	CRI	CCT
15W	2142 - 2576 lm	80	3000 - 4000K
26W	3588 - 4340 lm	80	3000 - 4000K
35W	4623 - 5596 lm	80	3000 - 4000K
46W	6048 - 7320 lm	80	3000 - 4000K





## GENERAL INFO

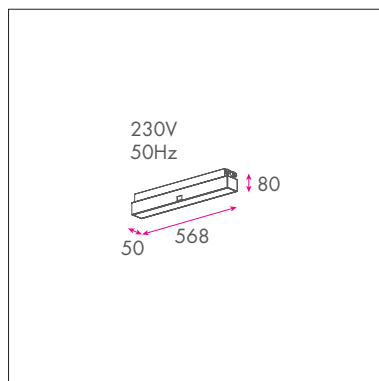
- **Design**
  - Linear profile
  - No visible edge
  - Mat black louvers
  - Screwless installation
- **Variations**
  - available in 3 lengths:  
566, 826 & 1126 mm
- **Materials**
  - Sheet metal
  - PMMA lenses
  - Plastic louvers
- **Optics**
  - Black louvers with Integrated lenses of 50°
- **Power source**
  - Integrated 230V AC driver
  - Dali optional
- **Extra's**
  - Optional 1 hour emergency unit
  - Optional standalone presence detector
  - Snap-in Wieland male + 1,5m cable female
  - 1,5m cable with Wieland male
  - 1,5m cable with Wieland male + 1,5m cable with Wieland female
- **Light distribution curves**
  - See 'Donna' product page on our website



# LUMINAIRES FOR CLOSED CLIMATE CEILINGS

## BELLO

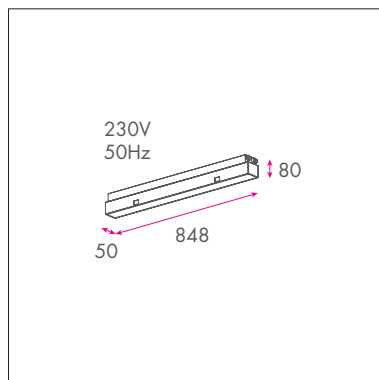
### BELLO II



SYSTEM PWR	LUM. FLUX	CRI	CCT
11W	1862 - 1986 lm	80	3000 - 4000K
15W	2366 - 2518 lm	80	3000 - 4000K
18W	2860 - 3050 lm	80	3000 - 4000K



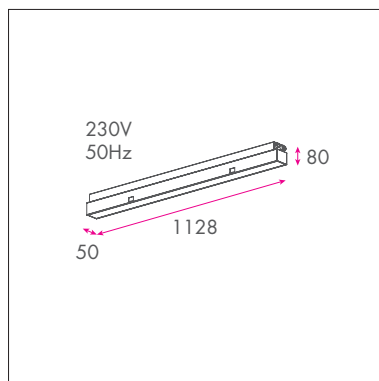
### BELLO III



SYSTEM PWR	LUM. FLUX	CRI	CCT
17W	2793 - 2978 lm	80	3000 - 4000K
22W	3548 - 3776 lm	80	3000 - 4000K
27W	4289 - 4574 lm	80	3000 - 4000K



### BELLO IV



SYSTEM PWR	LUM. FLUX	CRI	CCT
23W	3724 - 3971 lm	80	3000 - 4000K
37W	5719 - 6099 lm	80	3000 - 4000K
47W	7182 - 7657 lm	80	3000 - 4000K



## GENERAL INFO

### - Design

- Linear profile
- Plexi diffusor
- No visible edge
- Screwless installation

### - Variations

- available in 3 lengths:  
568, 848 & 1128 mm

### - Materials

- Sheet metal
- PMMA diffusor

### - Optics

- Opal diffusor

### - Power source

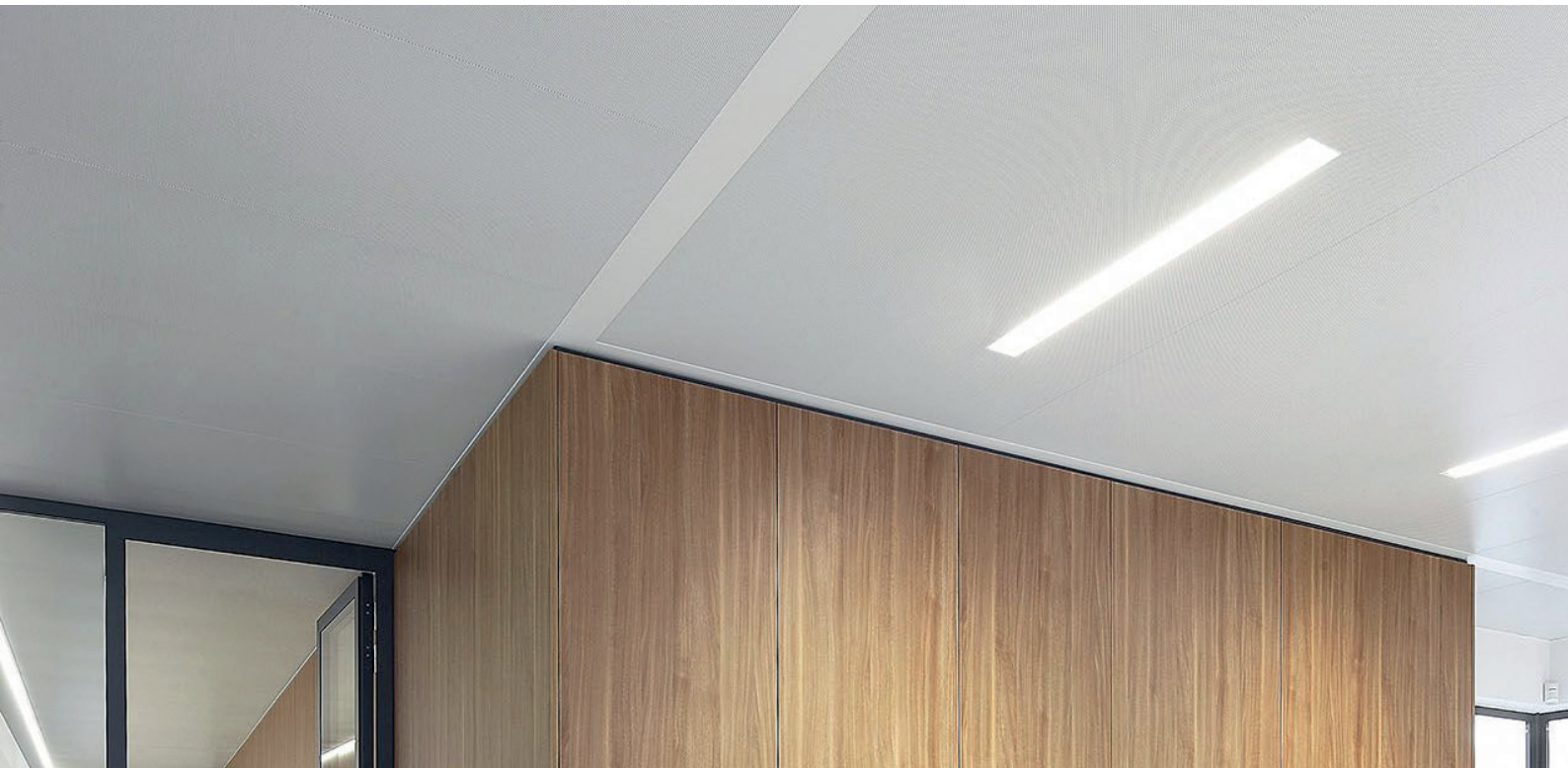
- Integrated 230V AC driver
- Dali optional

### - Extra's

- Optional 1 hour emergency unit
- Optional standalone presence detector
- Snap-in Wieland male + 1,5m cable female
- 1,5m cable with Wieland male
- 1,5m cable with Wieland male + 1,5m cable with Wieland female

### - Light distribution curves

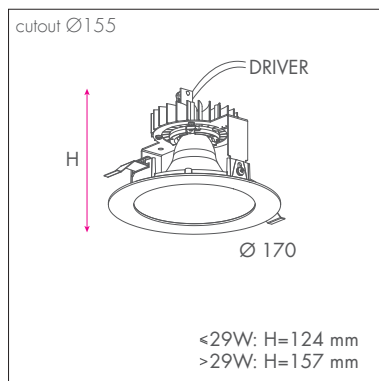
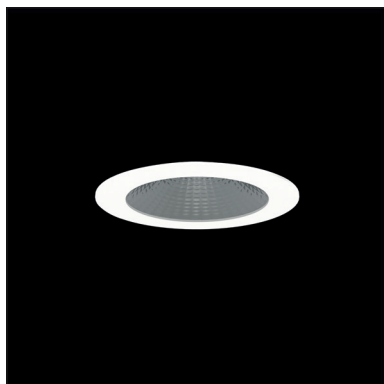
- See 'Bello' product page on our website



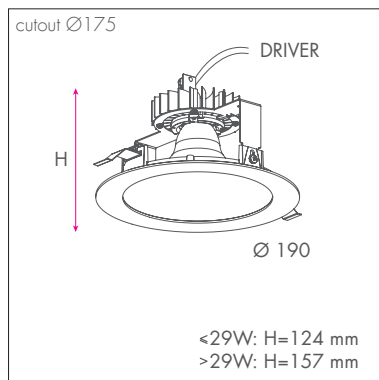
# LUMINAIRES FOR CLOSED CLIMATE CEILINGS

## APOLLO

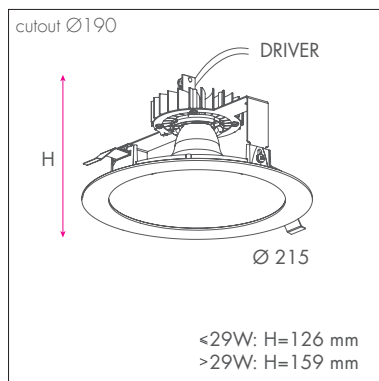
### APOLLO 170



### APOLLO 190



### APOLLO 215



SYSTEM PWR	LUM. FLUX	CRI	CCT
14W	1543 lm	92	2700K
	1601 lm		3000K
	1725 lm		4000K
24W	2464 lm	92	2700K
	2558 lm		3000K
	2757 lm		4000K
29W	2801 lm	92	2700K
	2907 lm		3000K
	3134 lm		4000K
31W	3330 lm	92	2700K
	3457 lm		3000K
	3732 lm		4000K
39W	4519 lm	92	2700K
	4732 lm		3000K
	5097 lm		4000K
31W	2899 lm	92	Crisp white
47W	4113 lm	92	Crisp white
35W	3000 lm	95	Dim to warm 1800 - 3000K
19W	1496 lm	85	Meat
27W	2064 lm	85	Meat
42W	2992 lm	85	Meat
19W	1552 lm	85	Gold
27W	2142 lm	85	Gold
42W	3104 lm	85	Gold



## GENERAL INFO

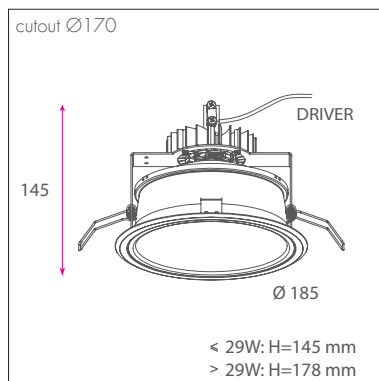
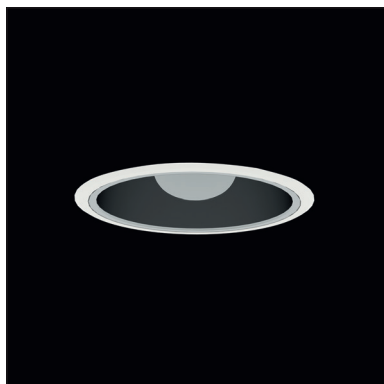
- **Design**
  - Recessed luminaire
  - Round shape
  - Flat ceiling ring
- **Variations**
  - available in 3 diameters: 170, 190 & 215 mm
- **Materials**
  - Aluminium ceiling ring
  - Aluminium reflector
  - Aluminium heatsink
- **Optics**
  - Aluminium faceted reflector
  - 55°
  - Low UGR
- **Power source**
  - Independent 230V AC driver
  - Driver included
  - Dali optional
  - Casambi optional
  - Phasecut optional
- **Extra's**
  - Optional 1 hour emergency unit
  - Protective frosted glass



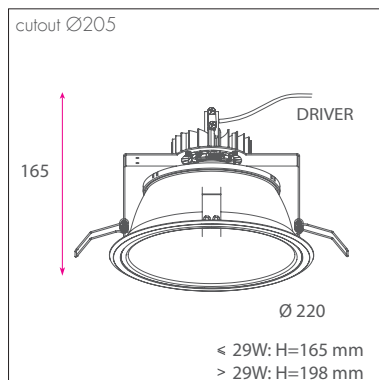
# LUMINAIRES FOR CLOSED CLIMATE CEILINGS

## FIUS

### FIUS 185



### FIUS 220



SYSTEM PWR	LUM. FLUX	CRI	CCT
14W	1543 lm	92	2700K
	1601 lm		3000K
	1725 lm		4000K
24W	2464 lm	92	2700K
	2558 lm		3000K
	2757 lm		4000K
29W	2801 lm	92	2700K
	2907 lm		3000K
	3134 lm		4000K
31W	3330 lm	92	2700K
	3457 lm		3000K
	3732 lm		4000K
39W	4519 lm	92	2700K
	4732 lm		3000K
	5097 lm		4000K
31W	2899 lm	92	Crisp white
47W	4113 lm	92	Crisp white
35W	3000 lm	95	Dim to warm 1800 - 3000K
19W	1496 lm	85	Meat
27W	2064 lm	85	Meat
42W	2992 lm	85	Meat
19W	1552 lm	85	Gold
27W	2142 lm	85	Gold
42W	3104 lm	85	Gold



## GENERAL INFO

### - Design

- Recessed luminaire
- Round shape
- Flat ceiling ring

### - Variations

- available in 3 diameters: 185 & 220 mm

### - Materials

- Aluminium ceiling ring
- Aluminium reflector
- Aluminium heatsink

### - Optics

- Aluminium glossy reflector
- Mat diffusor inside
- 90°

### - Power source

- Independent 230V AC driver
- Driver included
- Dali optional
- Casambi optional
- Phasecut optional

### - Extra's

- Optional 1 hour emergency unit





**Lunoo NV**  
Wantestraat 14  
8780 Oostrozebeke  
+32 56 676 100  
info@lunoo.eu

**lunoo**<sup>®</sup>  
the lighting company

*"Lighting solutions for professional projects"*