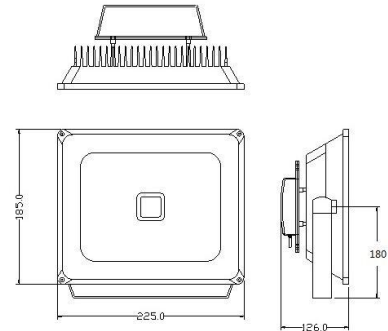


【LiTE'A™】

•LED Floodlight with PIR Sensor



Parameter:

Model		CS-FL-S30
PIR Sensitivity Distance		12m
Durable Time of Sensitivity		5 sec~5 minute
Input Voltage		110~240V AC
Frequency		50Hz ~ 60Hz
LED Consumption		30 W
System Consumption		33 W
LED Initial Flux		2700 Lm
Lamp's Efficiency		> 88 %
Average Illumination	1M	810 Lux
	3M	150 Lux
	5M	36 Lux
Color Temperature		2700~7000k
Color Rendering Index		Ra > 75
Junction Temperature		≤80°C
Working Temperature		-40°C ~ 55°C
Storage Temperature		-25°C ~ +65°C
IP Grade		IP44
Net weight		2.10Kg
Working Life-span		30000H
Power rubble-cable		0.75mm ² three core wire
3 Core Wires	Brown	L (live line)
	Blue	N (neutral line)
	Yellow/Green	G (ground line)
Certification		CE
Materials		Die-casting aluminum with painting
Dimension:		L225*W185*H126mm

