

Sumitube™ A

Single Wall Polyolefin, 2:1
Operating temperature: -55 up to 105°C

Surface: Glossy
 Marking: None



- ▶ ASTM
- ▶ JIS C 2133





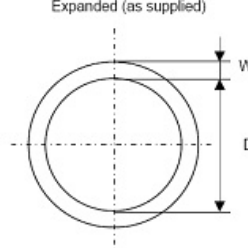
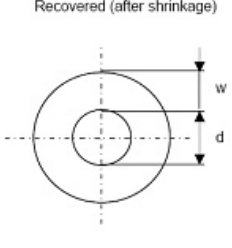
Dimensions

TRADE SIZE	BEFORE SHRINKAGE		AFTER SHRINKAGE		DELIVERY UNITS *	
	Inner diameter (EID) min. [mm]	Inner diameter (RID) max. [mm]	Inner diameter (RID) max. [mm]	Wall thickness (RWT) min.-max. [mm]	Unit quantity [m]	Box quantity [m]
3/64	1,20	0,60	0,60	nom. 0,40	150	2700
1/16	1,60	0,80	0,80	nom. 0,43	150	2700
3/32	2,40	1,20	1,20	nom. 0,51	150	2500
1/8	3,20	1,60	1,60	nom. 0,51	150	1200
3/16	4,80	2,40	2,40	nom. 0,51	75	600
1/4	6,40	3,20	3,20	nom. 0,64	75	450
3/8	9,50	4,80	4,80	nom. 0,64	75	825
1/2	12,7	6,40	6,40	nom. 0,64	50	550
3/4	19,1	9,50	9,50	nom. 0,76	30	300
1	25,4	12,7	12,7	nom. 0,89	30	240
1-1/4	31,8	15,9	15,9	nom. 0,89	30	180
1-1/2	38,1	19,1	19,1	nom. 1,02	30	150
2	50,8	25,4	25,4	nom. 1,14	30	120
3	76,2	38,1	38,1	nom. 1,18	30	60

* Non standard colours and cut lengths of 1200mm are available upon request. Sizes 3/64, 1/16, 3/32, 1-1/4, 1-1/2, 2 and 3 inches are also available in clear. Other sizes in clear please see Sumitube™ A11.



Colours & Technical drawing

STANDARD COLOURS	SPECIAL COLOURS	TECHNICAL DRAWING	
black 	clear 	Tube Front	
			
		<div style="border: 1px solid black; padding: 5px; width: fit-content; margin-left: auto; margin-right: auto;"> D= Inside diameter expanded d= Inside diameter recovered W= Wall thickness expanded w= Wall thickness recovered </div>	

Technical properties

PHYSICAL PROPERTIES

PROPERTY	TEST METHOD	REQUIREMENT	TYPICAL VALUE *
Longitudinal change	JIS C 2133	Min. -15%	-5%
Specific gravity	ASTM D792		0.92
Tensile strength (500mm/min)	ASTM D638	Min. 10.4 MPa	19.2 MPa
Elongation at break (500mm/min)	ASTM D638	Min. 200%	440%
Hardness (Shore D)			42

THERMAL PROPERTIES

PROPERTY	TEST METHOD	REQUIREMENT	TYPICAL VALUE *
Operating temperature	Life-Curve	-55 up to 105°C	-55 up to 105°C
Min. shrink temperature	Shrink curve	Full recovery	115°C
Shrinking starts at	Shrink curve		90°C

CHEMICAL PROPERTIES

PROPERTY	TEST METHOD	REQUIREMENT	TYPICAL VALUE *
Water absorption (23°C / 24h)			0.09%



ELECTRICAL PROPERTIES

PROPERTY	TEST METHOD	REQUIREMENT	TYPICAL VALUE *
Dielectric voltage withstand (2.5kV AC x 60s)	UL 224		Pass
Volume resistivity	ASTM D876	Min. $10^{14} \Omega \cdot \text{cm}$	$1,6 \times 10^{16} \Omega \cdot \text{cm}$

* For reference purposes only