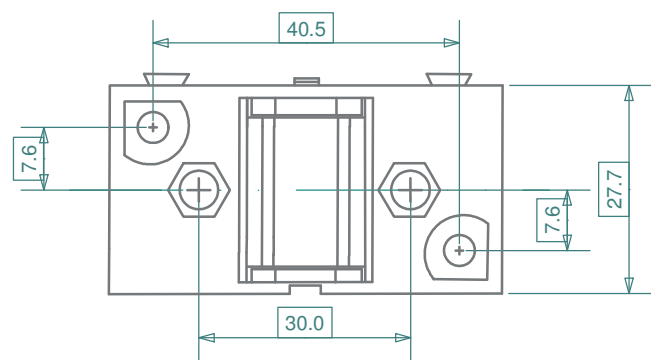
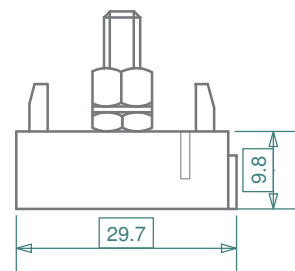
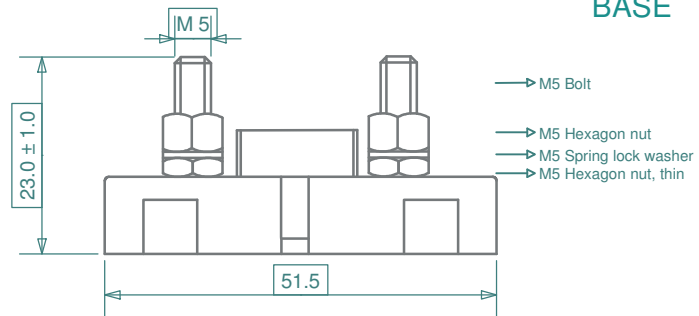


BASE



NOTES:
 Base material PA6.6FR GF30, UL94 V0, color black
 Cover material PA6FR, UL94 V0, color black
 Two M5 studs to install midiOTO,
 MSU or MSO type fuses
 Nut mounting torque 2 - 3 Nm

Revisions			Date	Appr.		
	Date	Type	Drawn	08/03	GRH	
b	11/03	added cover skirts	Checked	12/17	BE	
c	02/08	re-drawn	Standards			
d	06/10	added cable hole dimensions	Approved	12/17	AdH	
e	07/11	updated dimensions				
f	05/14	updated dimensions / notes	Scale	1 : 1	Title	FHMD1 series, midiOTO fuse holder
g	12/17	updated dimensions, new tooling	Projection	Tolerance	Drawing type	schematic
				± 0.5 mm unless otherwise noted	Drawing number	FHMD1 drawing 1
					Sheet	1 of 1
					Layers / Sheet	01 2 3 4 6 8
						Sheet 01

