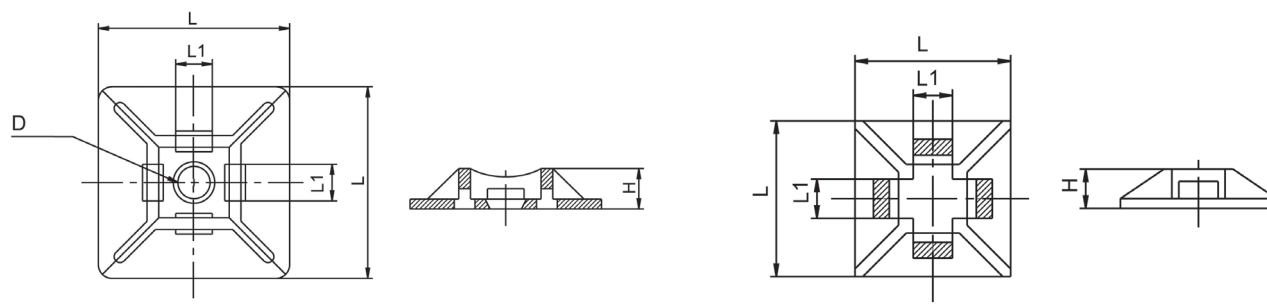
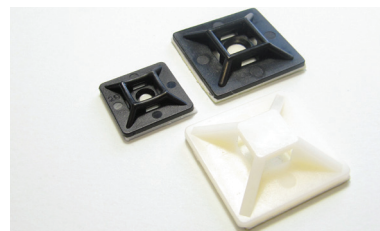


MOUNTS

Self adhesive cable tie mounts

Material : Polyamide 6.6
 Color : Transparent / black (UV resistant)
 Temperature range : -40 °C up to +85 °C
 Flammability : UL 94 V2

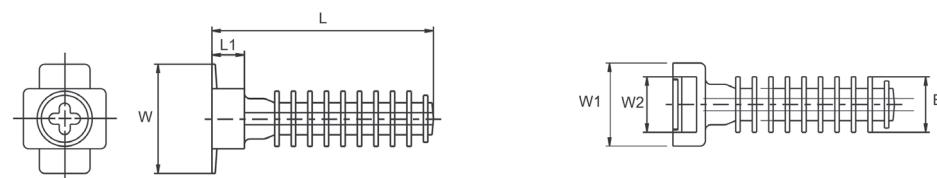
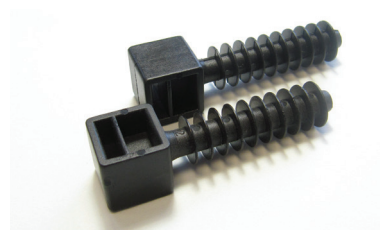


Typenr.	L (mm)	H (mm)	For cable tie width up to (mm)	D (mm)	Packing (pcs)
MOUNTS 12x12mm	12,7	3,2	3,2	-	100
MOUNTS 19x19mm	19,0	4,4	4,0	Ø 3,5	100
MOUNTS 28x28mm	27,7	5,7	5,3	Ø 5,7	100

WALL PLUG

Wallplug for cable ties up to 9 mm wide

Material : Polyamide 6.6
 Color : Transparent / black (UV resistant)
 Temperature range : -40 °C up to +85 °C
 Flammability : UL 94 V2



Typenr.	L (mm)	L1 (mm)	W (mm)	W1 (mm)	W2 (mm)	E (mm)	Packing (pcs)
WALL PLUG 9	40,5	5,9	20	15	10	Ø 9,5	100

We certify that the values provided are as accurate as possible. Use of these values, however, remains the sole responsibility of the customer and cannot in any way substitute for testing the product under real conditions of use. The user must assess whether this product is suitable for a particular use. KACAB shall not be held responsible for any loss or anomaly resulting from the correct or incorrect use of this product.