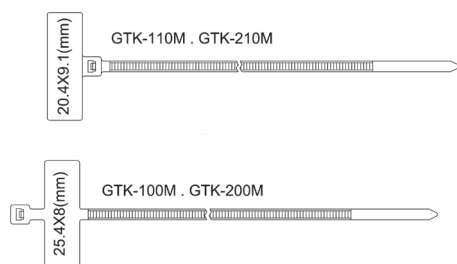
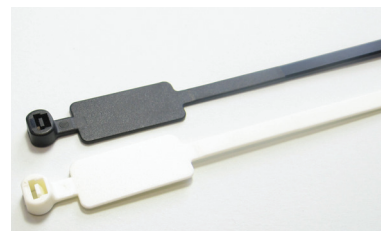


### MARKER

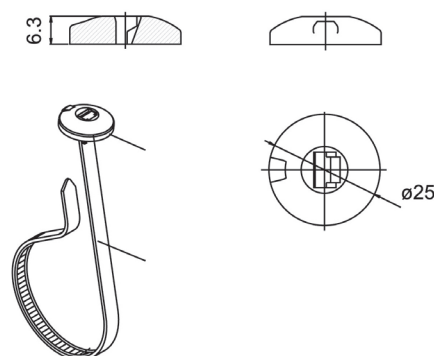
Material : Polyamide 6.6  
 Color : Transparent / black (UV resistant)  
 Temperature range : -40 °C up to +85 °C  
 Flammability : UL 94 V2  
 Certification : UL, Lloyd's



Typenr.	Length (mm)	Width (mm)	Max. bundle diameter (mm)	Tensile strength (kg)	Type	Packing (pcs)
MARKER 110x2,5mm	110	2,5	18	8,1	GTK-110M	100
MARKER 210x2,5mm	210	2,5	50	8,1	GTK-210M	100
MARKER 100x2,5mm	100	2,5	18	8,1	GTK-100M	100
MARKER 200x2,5mm	200	2,5	50	8,1	GTK-200M	100
MARKER 190x4,8mm	190	4,8	46	22,2	GTK	100
MARKER 220x4,8mm	220	4,8	54	22,2	GTK	100
MARKER 270x4,8mm	270	4,8	65	22,2	GTK	100
MARKER 300x4,8mm	300	4,8	76	22,2	GTK	100
MARKER 370x4,8mm	370	4,8	102	22,2	GTK	100

### CHASSIS

Material : Polyamide 6.6  
 Color : Transparent / black (UV resistant)  
 Temperature range : -40 °C up to +85 °C  
 Flammability : UL 94 V2  
 Certification : UL, Lloyd's



Typenr.	Length (mm)	Width (mm)	Max. bundle diameter (mm)	Tensile strength (kg)	Packing (pcs)
CHASSIS 200x7,6mm	200	7,6	50	65	100
CHASSIS 370x7,6mm	370	7,6	101	65	100

We certify that the values provided are as accurate as possible. Use of these values, however, remains the sole responsibility of the customer and cannot in any way substitute for testing the product under real conditions of use. The user must assess whether this product is suitable for a particular use. KACAB shall not be held responsible for any loss or anomaly resulting from the correct or incorrect use of this product.