



Watch Video

JWL Body gun

Simple and effective corrosion protection.

JWL Body gun is used for the treatment and maintenance of cars and other vehicles that are subject to corrosion and stone chipping.

JWL Body gun is suitable for both water-based and oil-based fluids. For water-based fluids, we recommend using body guns with plastic suction pipe.

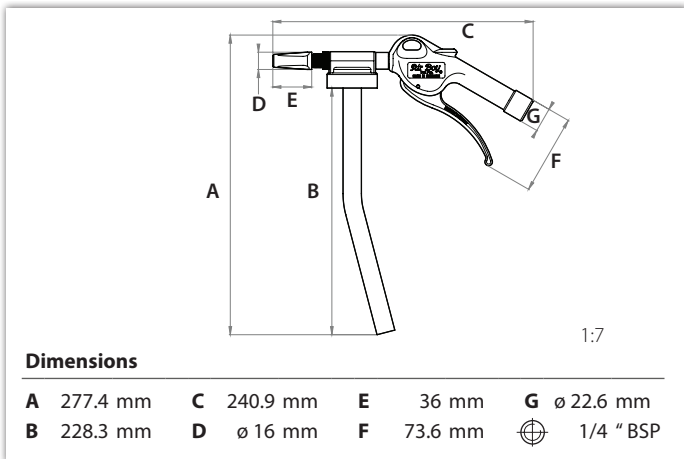
JWL Body gun is available with suction pipe and screw lid that fit most disposable containers.

JWL Underseal guns are developed in cooperation with leading manufacturers of anti-corrosion fluids.

JWL Underseal guns are designed to be user-friendly and operated quite easily. The fluid flow is infinitely adjustable and easily regulated with the trigger.

The JWL ergonomic design is a classic in itself. We use the compressed air to ease the activating of the handle making it easy, accurate and simple to operate.

All nozzles are easily replaced with cavity tubes or pipes.



Materials		Specifications		Accessories		Code no.	
Handle and trigger	Acetal plastic	P	Max 16 bar	External POM nozzle		146237	
Valve	Acetal plastic		Nozzle: 380 l/min at 8 bar	Extension probe ø8mm x 900mm		146110-000	
Gaskets / O-rings	Nitrile		Extension probe: 180 l/min at 8 bar	Extension probe ø8mm x 1500mm		146110-150	
Nozzle	POM		-10°C to +80°C	Extension probe ø8mm x 2000mm		146110-200	
Spring	Hardened spring wire		~kg	Extension probe ø8mm x 3000mm		146110-300	

