



## Safety Air Boy® 2 bar

Safety blowgun with automatic pressure reduction to below 2 bar

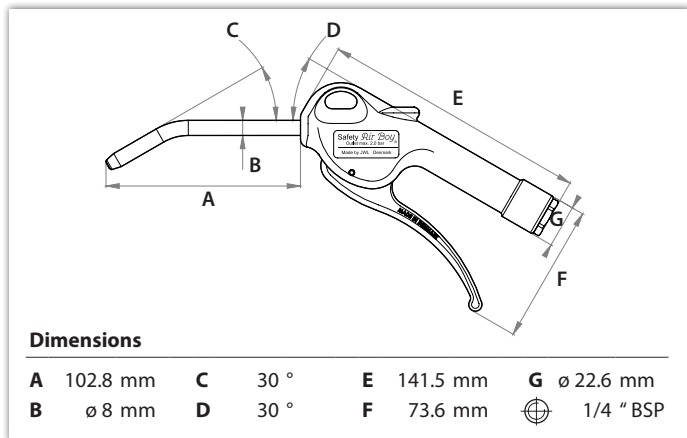
Safety Air Boy® blowgun with ø8mm bent pipe.

The Safety Air Boy blowgun is fitted with a pressure reduction valve inside the handle of the blowgun. Due to the construction, the outlet pressure is automatically limited to max 2 bar when the nozzle is blocked. This feature meets / exceeds the OSHA standard for output pressure (OSHA STD 1-13.1).

The noise level is minimal with a measured noise level of 68 dB at 8 bar and meets / exceeds the OSHA standard for occupational noise exposures (OSHA 1910.95 (b))

The JWL design is a classic in itself. We use compressed air to ease the use of the handle; the handle is always soft and pleasant to hold and never cools during use.

The Safety Air Boy® Classic is produced in an impact-resistant acetal plastic (POM)



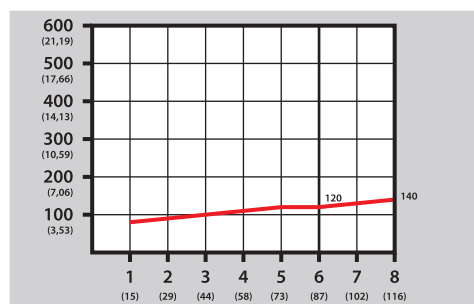
# 25

Year Warranty  
Jahre Garantie  
ans de Garantie  
años de garantía  
års garanti

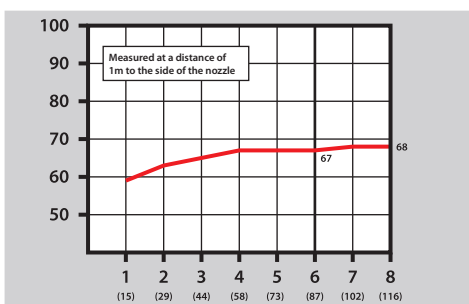
The durability of our blowguns is top notch - even after 28 million operations. Therefore, we are also proud to offer you a 25 year warranty on the valve system in your Air Boy® blowgun!

Materials		Specifications		Directives	
Handle and trigger	Acetal plastic	Max 16 bar	140 l/min (8bar)	2003/10/CE	Max 85 dB
Valve	Acetal plastic	68 dB (8 bar), (67 db at 6 bar)	-10°C to +80°C	OSHA 1910.95 (b)	Max 90 dB 8 hr
Gaskets / O-rings	Nitrile	~0,125 kg		OSHA STD 1-13.1	Max 30 psi when blocked
Blowing tube & shaft	Steel, el. galvanised				
Spring	Hardened spring wire				

### Flow l/min(cfm) / bar(psi)



### Noise level dB / bar(psi)



### Blowing force Newton (g) / bar(psi)

