



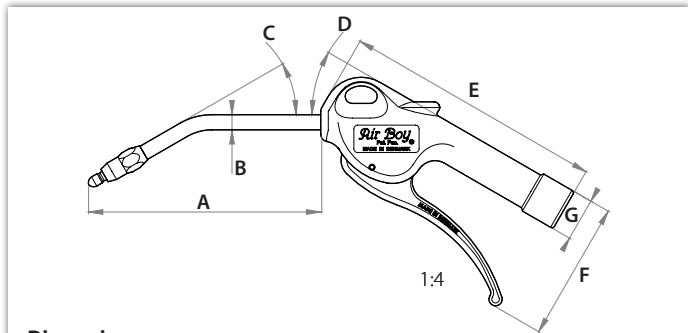
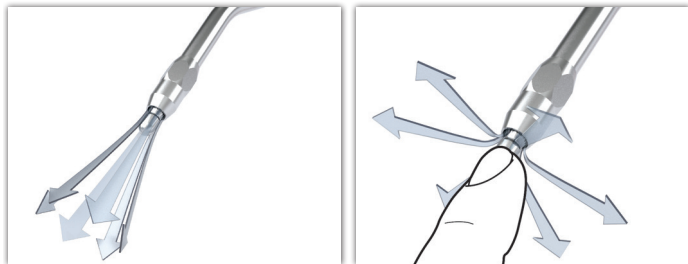
## Silent Air Boy® Low noise level and unblockable

Blowgun with bent pipe, ø8mm

The Silent Air Boy® combines all the best features. It is silent with only 74 dB at 8 bar and complies with OSHAs and EU's requirements in regards to noise level. The construction of the nozzle secures that the nozzle is unblockable and therefore complies with OSHA STD 1-13.1 requirements.

The JWL ergonomic design is a classic in itself. We use the compressed air to ease the activating of the handle making it easy, accurate and simple to operate.

The Silent Air Boy® is produced in an impact-resistant acetal plastic (POM).



### Dimensions

<b>A</b>	122.8 mm	<b>C</b>	30 °	<b>E</b>	138 mm	<b>G</b>	ø 22.6 mm
<b>B</b>	ø 8 mm	<b>D</b>	30 °	<b>F</b>	73.6 mm		1/4 " BSP



# 25

Year Warranty  
Jahre Garantie  
ans de Garantie  
años de garantía  
års garanti

The durability of our blowguns is top notch - even after 28 million operations. Therefore, we are also proud to offer you a 25 year warranty on the valve system in your Air Boy® blowgun!

Materials		Specifications		Directives		
Handle and trigger	Acetal plastic	Max 16 bar	260 l/min (8bar)	2003/10/CE	Max 85 dB	OK
Valve	Acetal plastic	74 dB (8 bar), (72 db at 6 bar)	-10°C to +60°C	OSHA 1910.95 (b)	Max 90 dB 8 hr	OK
Gaskets / O-rings	Nitrile	~0,1020 kg		OSHA STD 1-13.1	Max 30 psi when blocked	OK
Blowing tube & shaft	Steel, el. galvanised					
Spring	Hardened spring wire					

Flow	l/min(cfm) / bar(psi)	Noise level	dB / bar(psi)	Blowing force	Newton (g) / bar(psi)