



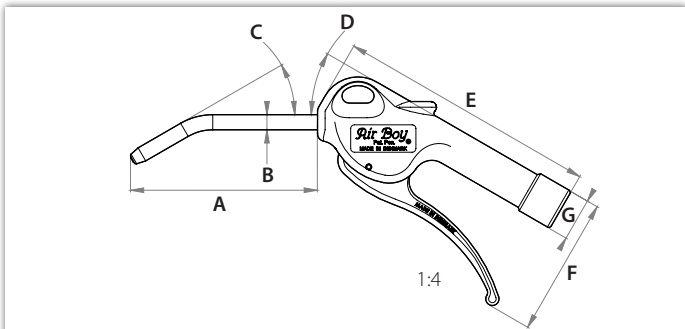
## Air Boy® Stainless

Ideal for fluids and aggressive environments

Blowgun with bent pipe, ø8mm stainless (AISI316)

The JWL ergonomic design is a classic in itself. We use the compressed air to ease the activation of the handle making it easy, precise and simple to operate.

The Air Boy® Stainless is produced in an impact-resistant acetal plastic (POM)



# 25

Year Warranty  
Jahre Garantie  
ans de Garantie  
años de garantía  
års garanti

The durability of our blowguns is top notch - even after 28 million operations. Therefore, we are also proud to offer you a 25 year warranty on the valve system in your Air Boy® blowgun!

### Dimensions

<b>A</b> 102.5 mm	<b>C</b> 30 °	<b>E</b> 73.6 mm	1/4 " BSP
<b>B</b> ø 8 mm	<b>D</b> 138 mm	<b>F</b> ø 22.6 mm	

Materials		Specifications		Directives		
Handle and trigger	Acetal plastic	Max 16 bar	380 l/min (8 bar)	2003/10/CE	Max 85 dB	OK
Valve	Acetal plastic	85 dB (8 bar), 84 dB (6 bar)	-10°C to +80°C	OSHA 1910.95 (b)	Max 90 dB 8 hr	OK
Gaskets / O-rings	Nitrile	~0,105 kg		OSHA STD 1-13.1	Max 30 psi when blocked	-
Blowing tube & shaft	Stainless (AISI316)					
Spring	Stainless (AISI316)					

