



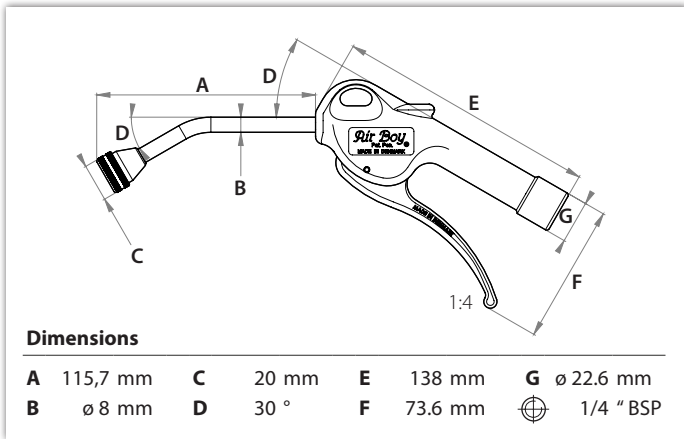
Air Boy® Universal inflating gun

Inflates bicycles with Dunlop tire valves

The Air Boy® Universal inflating gun fits the "Dunlop tire valves". Dunlop tire valves are mainly used in bicycle tires.

The JW L ergonomic design is a classic in itself. We use the compressed air to ease the activating of the handle making it easy, accurate and simple to operate.

The body of the Air Boy® Ball inflating gun is produced in an impact-resistant acetal plastic (POM)



25

Year Warranty
Jahre Garantie
ans de Garantie
años de garantía
års garanti

The durability of our blowguns is top notch - even after 28 million operations. Therefore, we are also proud to offer you a 25 year warranty on the valve system in your Air Boy® blowgun!

Materials		Specifications	
Handle and trigger	Acetal plastic	Max 16 bar	
Valve	Acetal plastic	-10°C to +60°C	
Gaskets / O-rings	Nitrile	118 g	
Blowing tube & shaft	Steel, el. galvanised		
Inflating head	Brass		
Spring	Hardened spring wire		

Accessories		Code no.
	Rubbercone for 140118-000	150203
	Brass sleeve for 140118-000	150202