



Air Boy® Ball inflating gun

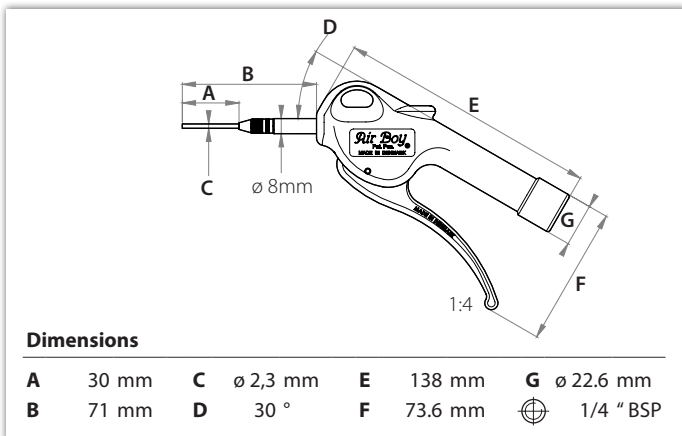
The Air Boy® Ball inflating gun inflates footballs, handballs etc.

The Air Boy® Ball inflating gun is quick and easy to use, so you are ready for the next game.

Due to the slender nozzle, the Air Boy® Ball inflating gun can also be used for cleaning in narrow places.

The JW L ergonomic design is a classic in itself. We use the compressed air to ease the activating of the handle making it easy, accurate and simple to operate.

The body of the Air Boy® Ball inflating gun is produced in an impact-resistant acetal plastic (POM)



The durability of our blowguns is top notch - even after 28 million operations. Therefore, we are also proud to offer you a 25 year warranty on the valve system in your Air Boy® blowgun!

Materials

Handle and trigger	Acetal plastic
Valve	Acetal plastic
Gaskets / O-rings	Nitrile
Blowing tube & shaft	Steel, el. galvanised
Inflating head	Brass
Spring	Hardened spring wire

Specifications

	Max 16 bar
	-10°C to +60°C
	100 g

Accessories

Extra inflating needle for Air Boy® ball inflating gun 140108-000

Code no.

140297

