



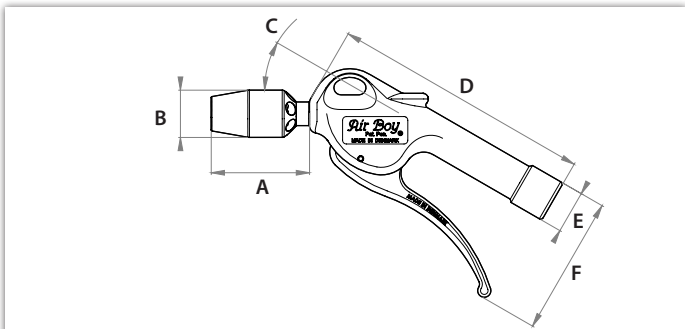
Air Boy® Thrust

Very high airflow

The Air Boy® Thrust blowgun provides a very high airflow and the Thrust nozzle is unblockable

The Thrust nozzle increases the airflow by 100% due to the venturi principle.

The Air Boy® Thrust blowgun is well suited for commercial vehicles, trade and industry and cleaning areas.



25
Year Warranty
Jahre Garantie
ans de Garantie
años de garantía
års garanti

The durability of our blowguns is top notch - even after 28 million operations. Therefore, we are also proud to offer you a 25 year warranty on the valve system in your Air Boy® blowgun!

Dimensions

A	52 mm	C	30° mm	E	22.6 mm
B	∅ 25 mm	D	138 mm	F	73.6 mm

⊕ 1/4 " BSP

Materials

Handle and trigger	Acetal plastic
Valve	Acetal plastic
Gaskets / O-rings	Nitrile
Blowing tube	Aluminium
Spring	Hardened spring wire

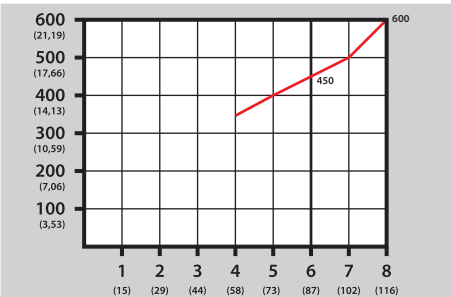
Specifications

	Max 12 bar
	600 l/min (8bar)
	98,2 dB (8 bar), (101,5 db at 6 bar)
	-20°C to +80°C
	~0,118 kg

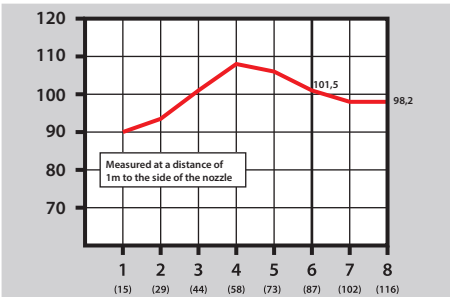
Directives

	2003/10/CE	Max 85 dB	-
	OSHA 1910.95 (b)	Max 90 dB 8 hr	-
	OSHA STD 1-13.1	Max 30 psi when blocked	OK

Flow



Noise level



Blowing force

