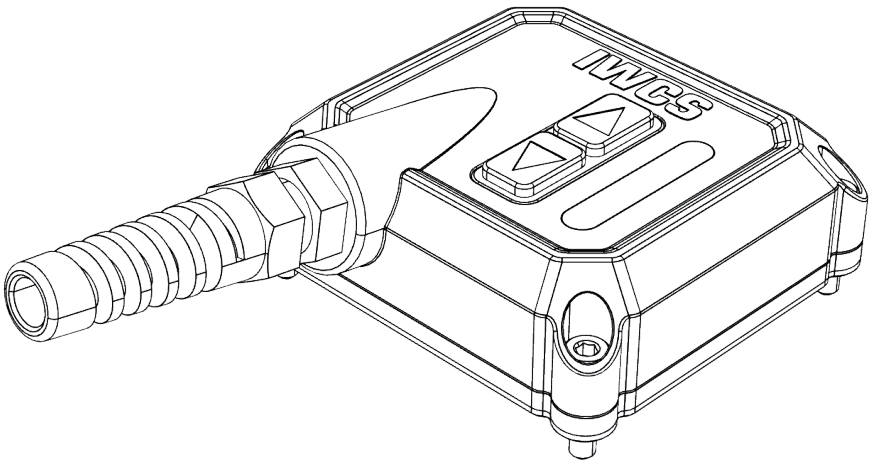




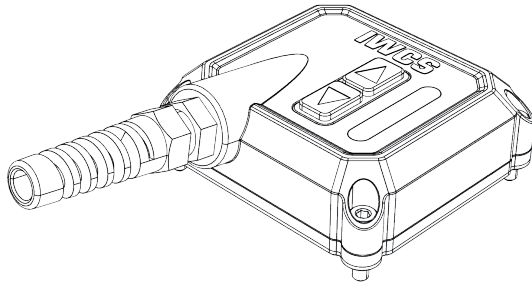
# User manual



# Headset Interface

CONGRATULATIONS ON YOUR NEW PRODUCT FROM  
IRIDIUM WATERPROOF COMMUNICATION SYSTEMS

### Headset Interface



IWCS HOPE YOU WILL ENJOY THE BENEFITS OF TROUBLE  
FREE HIGH QUALITY INTERCOM. PLEASE READ THESE  
INSTRUCTIONS CAREFULLY BEFORE FIRST USE.  
IF INSTALLED, OPERATED AND MAINTAINED  
ACCORDING TO THIS MANUAL.

The Headset Interface WILL BE A RELIABLE PARTNER FOR  
MANY YEARS TO COME.

THOMAS B SVENNINGSEN  
CO-FOUNDER OF IWCS

## 1. Introduction

1.1 Disclaimer	Page:	4
1.2 Copyright	Page:	4
1.3 Trademark	Page:	4
1.4 Safety Warning	Page:	5

## 2. Installation

2.1 Unboxing	Page:	6
2.2 Tools	Page:	6
2.3 Installation	Page:	6
2.4 Drill Template 1:1	Page:	7
2.5 Connect to iriSound	Page:	9

## 3. Operation

3.1 User Guide	Page:	9
----------------	-------	---

## 4. Technical Data and Specifications

4.1 Maintenance	Page:	11
4.2 Troubleshoot	Page:	11
4.3 Cleaning	Page:	11
4.4 Warranty	Page:	11
4.5 Service / upgrade	Page:	11

## 5. Technical Data and Specifications

5.1 Specifications	Page:	12
--------------------	-------	----

# 4 Introduction

## 1.1 Disclaimer

Any responsibility or liability for loss or damage in connection with the use of this product and the accompanying documentation is disclaimed by IWCS.

The information in this manual is provided for information purposes only, is subject to change without notice and may contain errors or inaccuracies.

Manuals issued by IWCS are periodically revised and updated.

Anyone relying on this information should acquire the most current version e.g. upon request at [info@iwcs.eu](mailto:info@iwcs.eu)

IWCS is not responsible for the content or accuracy of any translations or reproductions, in the whole or in part, of this manual from any other source.

## 1.2 Copyright

2024 Iridium Waterproof Communication Systems ApS. All right reserved.  
Printed in Denmark.

## 1.3 Trademark

Headset Interface is a Trademark by Iridium Waterproof Communication Systems ApS.

Revision	Release date	Release note
1.1	19-03-2024	General Revisit / New product design



Hejrevang 13  
3450 Allerød  
Denmark

+45 43 43 26 26  
[info@iwcs.eu](mailto:info@iwcs.eu)  
[www.iwcs.eu](http://www.iwcs.eu)

## 1.4 Safety warning

The following general safety precautions must be observed during all phases of operation, service and repair of this equipment. Failure to comply with these precautions or with specific warnings elsewhere in this manual violates safety standards of design, manufacture and intended use of the equipment. IWCS assumes no liability for the customer's failure to comply with these requirements.

- **EMC / RF EXPOSURE**

Headset Interface is CE and UKCA certified as stated in the Declaration of Conformity.



- **FIRE**

In case of fire, harmful gases and fumes may occur. One should immediately leave the area and seek help. In case of suspected smoke in the lungs, a doctor should be consulted



- **POWER LOSS**

In the event of a power outage, Headset Interface will turn off and will automatically restart when power is restored. Power interruptions limited to Headset Interface will not affect other users communication. A general power outage will turn off the entire intercom system. IWCS is not responsible for any power outages or consequences thereof, of any kind.



- **WARRANTY LIMITATIONS**

IMPORTANT - This unit is a sealed waterproof unit (classified IPX7). To create and maintain its waterproof integrity it has been assembled in a controlled environment using special equipment. This unit is NOT a user serviceable unit, and under no circumstances should the unit be opened except by authorized personnel. Unauthorized opening of the unit will invalidate the warranty.



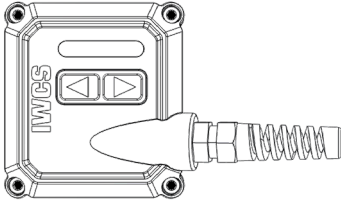
- **DISPOSAL**

When disposing of Headset Interface and related equipment, it must happen in accordance with applicable national law.

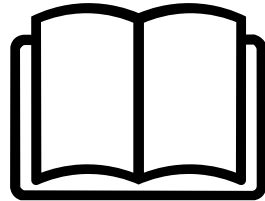


## 2.1 Unboxing

### 1 x Headset Interface



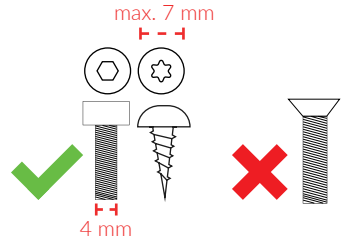
### 1 x User Manual



## 2.2 Tools

Before installation please prepare the following tools:

- Tape
- 4,5 or 3,3 mm drill bits
- 45 mm hole saw drill bit
- Drill
- Screw heads may not exceed 7 mm



## 2.3 Installation

When mounting the Headset Interface, it is essential to consider the material and the appropriate drill bit size. Please note the following guidelines:

If you are using wood screws you will need:

- 4x 4 mm screws.
- Drill 3.3 mm holes.

If you are using machine screws you will need:

- 4x 4 mm screws.
- 4x locking bolts.
- 4x washers.
- Drill 4.5 mm holes.

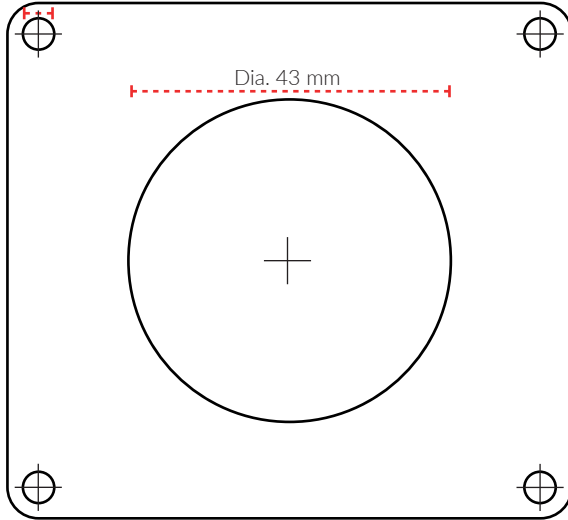
In both cases you will need a 45 mm. hole saw drill bit to drill out the center hole behind the Headset Interface to run the cable through.

*\*Note that no mounting equipment is included in the box.*



### 2.4 Drill Template 1:1

Dia. 4,5 mm



Backside of drill template



## 2.5 Connect To iriSound

Install the other end of your IWCS data cable in any port of your iriSound. Your Headset Interface is now ready to use.

Note: If your system includes an iriSelect you need to make sure to connect to the correct port on iriSound. Otherwise the mode setup will be incorrect.

If your system includes an iriSelect, LED light intensity will be adjusted according to ambient light conditions as recorded by iriSelect.

## 3.1 User Guide

- **Connect Your Headset**

When you want to connect your headset to your Headset Interface, start by removing the Protection Lid. Then turn your headset connector, so that the red align indication is facing up (Like the align indicator on the Headset Interface). Make sure that the headset connector is inserted fully into the Interface connector. Do not force the connectors. When the connector is in place the outer ring of the Male connector (Headset) will lock by a click. The headset is now ready to use. When you want to disconnect the headset, gently pull back the outer ring of the Male connector (Headset) until the two connectors are disconnected. Place the Protection Lid over the Interface connector to prevent moisture from entering the connector.

- **Volume**

The volume can be adjusted by pressing the Up and Down buttons on the Headset Interface. The 6 LEDs will indicate level of the Volume. Lowest level is displayed by 1 LED. Another press on Down will MUTE the Headset and all LEDs will be off.

- **PTT**

The Headset Interface supports remote radio keying (Push To Talk) of up to 4 external radios connected to an iriSound system. When one or more radios are present in the system, a long press of Volume Down button will put the Headset Interface into PTT mode. A short press of Volume Down will toggle through the available radios (1 to 4). The top 4 LEDs will indicate which radio is selected. Pressing Volume Up will send the PTT signal to the corresponding radio. The bottom two LEDs indicate radio PTT signaling

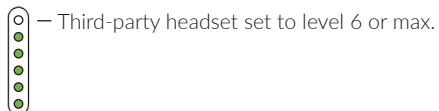
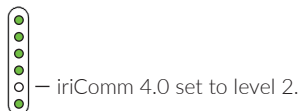
If your system includes an iriSelect, the Headset Interface will receive information regarding enabled radios for the specific user and only enabled radios can be selected.

- **Precautions**

Do not use excessive force when operating your IWCS Headset Interface. The buttons only require a light press to react (typically 3-500 grams). To prevent strong pulls or twists in the headset connector, it is recommended that the cable is mechanically relieved to a fixed point next to the Headset Interface.

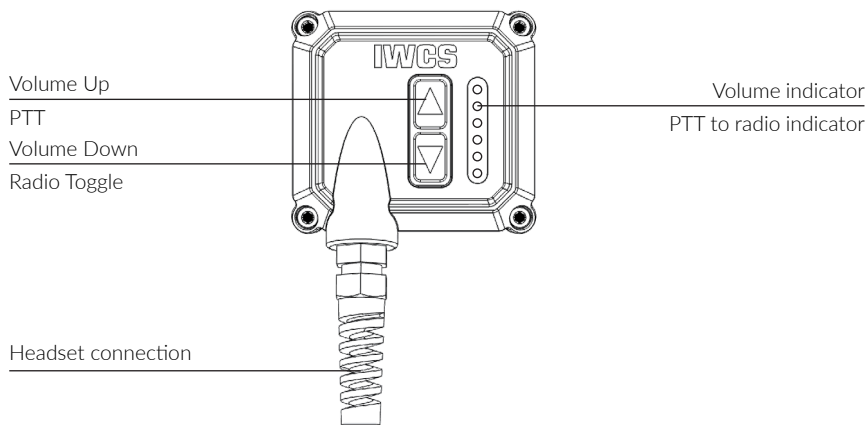
- **Max Volume Adjustment**

The max volume setting controls the highest output level of the headset interface. When using an IWCS iriComm 4.0, it's recommended to set the maximum volume to 2. For third-party headsets, the ideal max volume may differ, but it is typically set to 6 or the maximum level.



### How to adjust the max volume:

1. Turn off iriSound (or unplug the cable to iriHS).
2. Press and hold the VOL DOWN button on iriHS.
3. Turn on iriSound (or plug in iriHS) – hold for a few seconds until the LED changes.
4. Release VOL DOWN.
5. Use VOL UP / VOL DOWN to adjust the MAXIMUM VOLUME LEVEL. Move the off LED up or down. The maximum level is when the top LED is off.
6. Press and hold VOL DOWN for a few seconds until the LED changes. The setting is now saved.



## 4.1 Maintenance

If your IWCS Headset Interface has been exposed to saltwater, chemicals or any other solvents/liquids, immediately rinse with freshwater and wipe with a dry cloth.

**WARNING - The Headset connector is only IP67 Waterproof when mated, and may NOT be exposed to any solvents/liquids when unmated. Always use the silicone lid, when not in use.**

The Headset Connector must be inspected after each use, and apply a modest amount of Molykote 44 Medium as required.

No further maintenance is required.

## 4.2 troubleshoot

Problem	Cause	Solution
<ul style="list-style-type: none"><li>Headset Interface does not turn ON</li><li>PTT functions does not work</li><li>No RX/TX from headset</li></ul>	<ul style="list-style-type: none"><li>Data cable not plugged in</li><li>iriSound port defect</li><li>Cable defective</li><li>Headset not plugged in</li></ul>	<ul style="list-style-type: none"><li>Check Data Cable</li><li>Change port on iriSound</li><li>Change cable</li><li>Change Headset Interface</li></ul>

## 4.3 Cleaning

Do not use chemicals or solvents to clean your Headset Interface. Use only fresh water. Pressure, friction, sharp objects, etc. can damage the product and the warranty may be void.

## 4.4 Warranty

Headset Interface is covered by a two (2) year warranty.

## 4.5 Service / Upgrades

Any Service or additional Upgrades must be handled by IWCS Do not try to open or modify the IWCS product.

# 12 Technical Data and Specifications

## 5.1 Specifications

Headset Interface	
Weight	250 g
Size	75 x 70 x 24 mm
Waterproof	IP67
Temperature range	-30 to +60 °C
Power Supply	IWCS Bus
Audio resolution	Analogue, 20 - 20.000 Hz
Headset Signal	Speaker: 150mW into 8Ohms Microphone: 5mV nominal, electret
NVG compatible	NVIS Class B (optional)
Power Supply	IWCS Bus
Part number	IR-20-1420-01-___







Headset Interface  
is developed, designed and  
manufactured by

IWCS Aps

Hejrevang 13  
3450 Allerød  
Denmark

+45 4343 2626

[info@iwcs.eu](mailto:info@iwcs.eu)  
[www.iwcs.eu](http://www.iwcs.eu)

