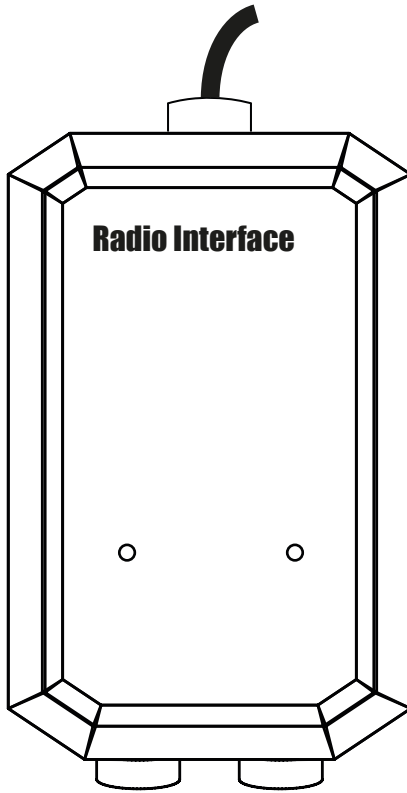




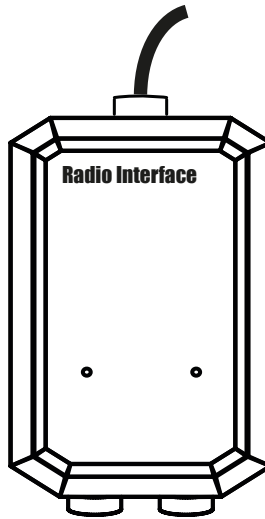
User manual



Radio Interface

CONGRATULATIONS ON YOUR NEW PRODUCT FROM
IRIDIUM WATERPROOF COMMUNICATION SYSTEMS

Radio Interface



IWCS HOPE YOU WILL ENJOY THE BENEFITS OF TROUBLE
FREE HIGH QUALITY INTERCOM. PLEASE READ THESE
INSTRUCTIONS CAREFULLY BEFORE FIRST USE.
IF INSTALLED, OPERATED AND MAINTAINED
ACCORDING TO THIS MANUAL THE Radio Interface WILL BE A
RELIABLE PARTNER FOR MANY YEARS TO COME.

THOMAS B SVENNINGSEN
CO-FOUNDER OF IWCS

1. Introduction

1.1 Disclaimer	Page:	4
1.2 Copyright	Page:	4
1.3 Trademark	Page:	4
1.4 Safety Warning	Page:	5

2. Unboxing

2.1 In the box	Page:	6
----------------	-------	---

3. Installation

3.1 Drill Template	Page:	7
3.2 Tools	Page:	9
3.3 Screws and screwholes	Page:	9
3.4 Clear space	Page:	10
3.5 Installing the bracket	Page:	11
3.6 Installing the Radio Interface	Page:	12

4. Operation

4.1 Main description	Page:	13
4.2 Volume Control	Page:	14

5. Service And Maintenance

5.1 Specifications	Page:	15
5.2 Cleaning	Page:	15
5.3 Warranty	Page:	15
5.4 Service and upgrades	Page:	15
5.5 Maintenance	Page:	15

4

Introduction

1.1 Disclaimer

Any responsibility or liability for loss or damage in connection with the use of this product and the accompanying documentation is disclaimed by IWCS.

The information in this manual is provided for information purposes only, is subject to change without notice and may contain errors or inaccuracies.
Manuals issued by IWCS are periodically revised and updated.

Anyone relying on this information should acquire the most current version e.g. upon request at info@iwcs.eu

IWCS is not responsible for the content or accuracy of any translations or reproductions, in the whole or in part, of this manual from any other source.

1.2 Copyright

2024 Iridium Waterproof Communication Systems ApS. All right reserved.
Printed in Denmark.

1.3 Trademark

Radio Interface is a Trademark by Iridium Waterproof Communication Systems ApS.

Revision

Release date

Release note

1.1

19-03-2024

General Revisit



Hejrevang 13
3450 Allerød
Denmark

+45 43 43 26 26
info@iwcs.eu
www.iwcs.eu

1.4 Safety warning

The following general safety precautions must be observed during all phases of operation, service and repair of this equipment. Failure to comply with these precautions or with specific warnings elsewhere in this manual violates safety standards of design, manufacture and intended use of the equipment. IWCS assumes no liability for the customer's failure to comply with these requirements.

- **EMC / RF EXPOSURE**

Radio Interface is CE and UKCA certified as stated in the Declaration of Conformity.



- **FIRE**

In case of fire, harmful gases and fumes may occur. One should immediately leave the area and seek help. In case of suspected smoke in the lungs, a doctor should be consulted



- **POWER LOSS**

Power interruptions limited to Radio Interface will not affect other users communication. A general power outage will turn off the entire intercom system. IWCS is not responsible for any power outages or consequences thereof, of any kind.



- **WARRANTY LIMITATIONS**

IMPORTANT - This unit is a sealed waterproof unit (classified IP67). To create and maintain its waterproof integrity it has been assembled in a controlled environment using special equipment. This unit is NOT a user serviceable unit, and under no circumstances should the unit be opened except by authorized personnel. Unauthorized opening of the unit will invalidate the warranty.



- **DISPOSAL**

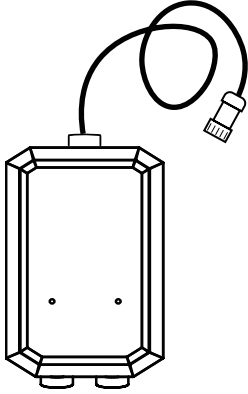
When disposing of Radio Interface and related equipment, it must happen in accordance with applicable national law.



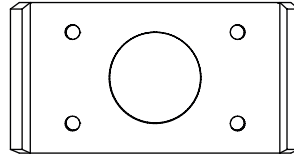
6 Unboxing

2.1 In The Box

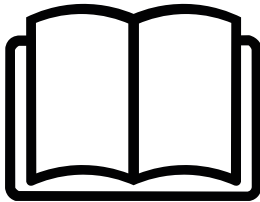
1 x Radio Interface



1 x Mounting Bracket

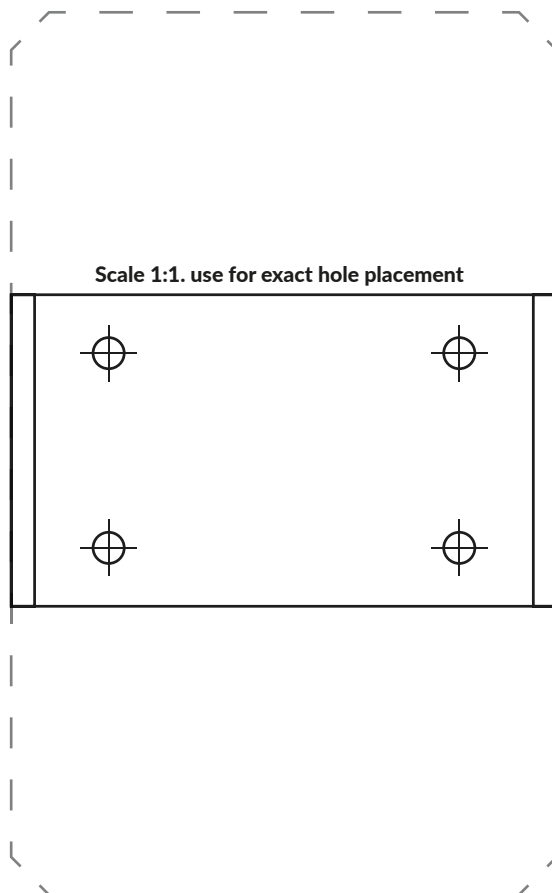


1 x User Manual





3.1 Drill Template 1:1



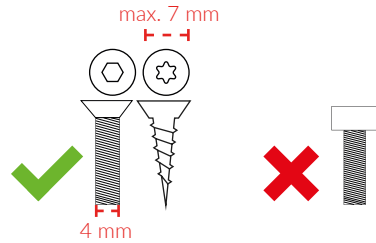
**For correct drill size please refer to page 9*

Backside of drill template

3.2 Tools

Before installation please prepare the following tools:

- Tape
- 4,5 or 3,3 mm drill bits
- Drill
- Screw heads may not exceed 7 mm



3.3 Screws and screwholes

When mounting the Radio Interface, it is essential to consider the material and the appropriate drill bit size. Please note the following guidelines:

If you are using wood screws you will need:

- 3x 4 mm countersink screws.
- Drill 3.3 mm holes.

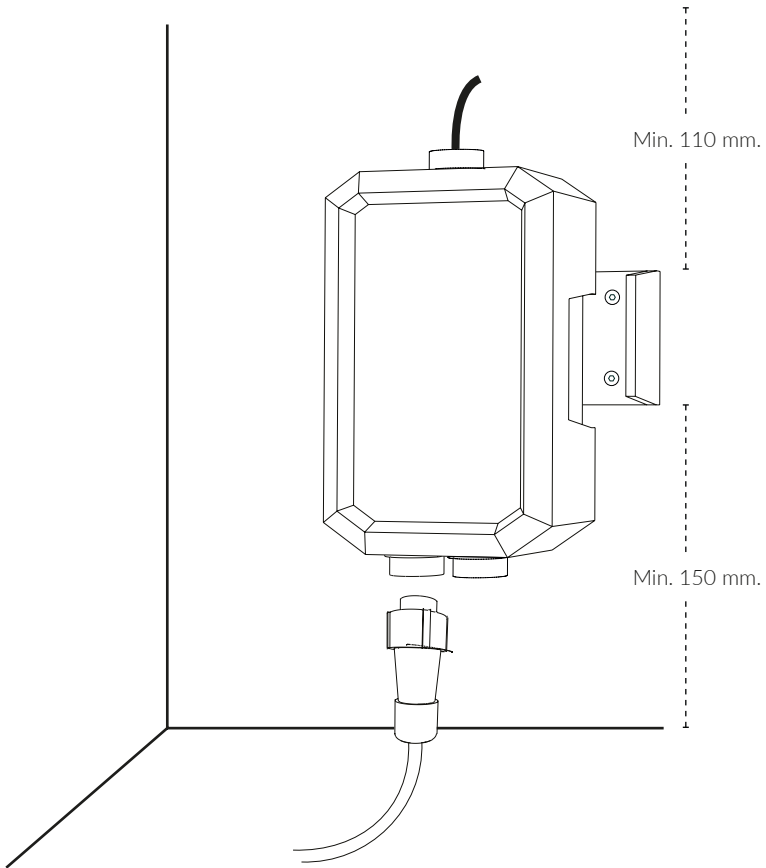
If you are using machine screws you will need:

- 3x 4 mm countersink screws.
- 3x locking bolts.
- 3x washers.
- Drill 4.5 mm holes.

**Note that no mounting equipment is included in the box.*

3.3 Clear space

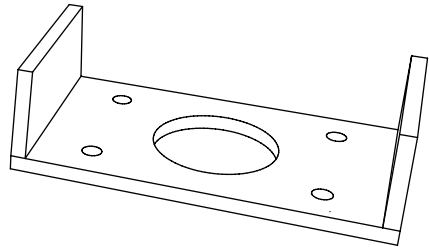
When installing the Radio Interface, it's essential to take into account the space over and under the unit. IWCS recommends a **minimum 110 mm above and 150 mm under** of clear space to avoid stressing the cables.



3.4 Installing the Bracket

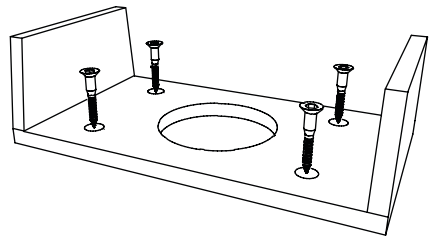
Placing the Bracket

The bracket serves as a secure mounting solution for the Radio Interface. It is crucial to ensure that sufficient space is provided around the bracket to accommodate cables and wiring.



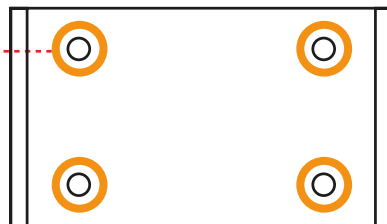
Screws and holes

After determining the desired location for the Radio Interface, select screws that are appropriate for the surface you will be mounting it on to. Depending on the material, you may need to drill holes prior to securing the bracket. Ensure the screws provide a secure hold to keep the Radio Interface in place.



Sealing

Apply silicone based sealant in the mounting holes.

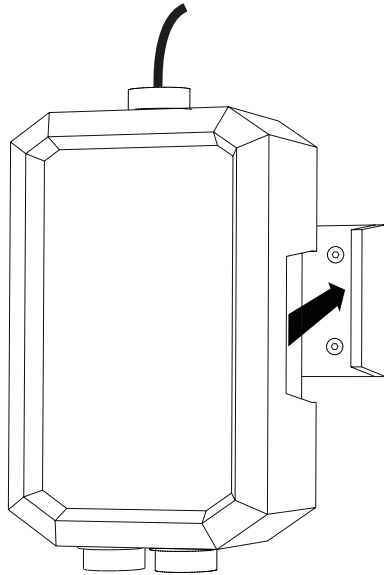


3.5 Installing the Radio Interface

Once the bracket is securely in place, you can proceed to insert the Radio Interface into the designated slot. You might need to wiggle the Radio Interface slightly to make it fit between the bracket arms.

Securely in place

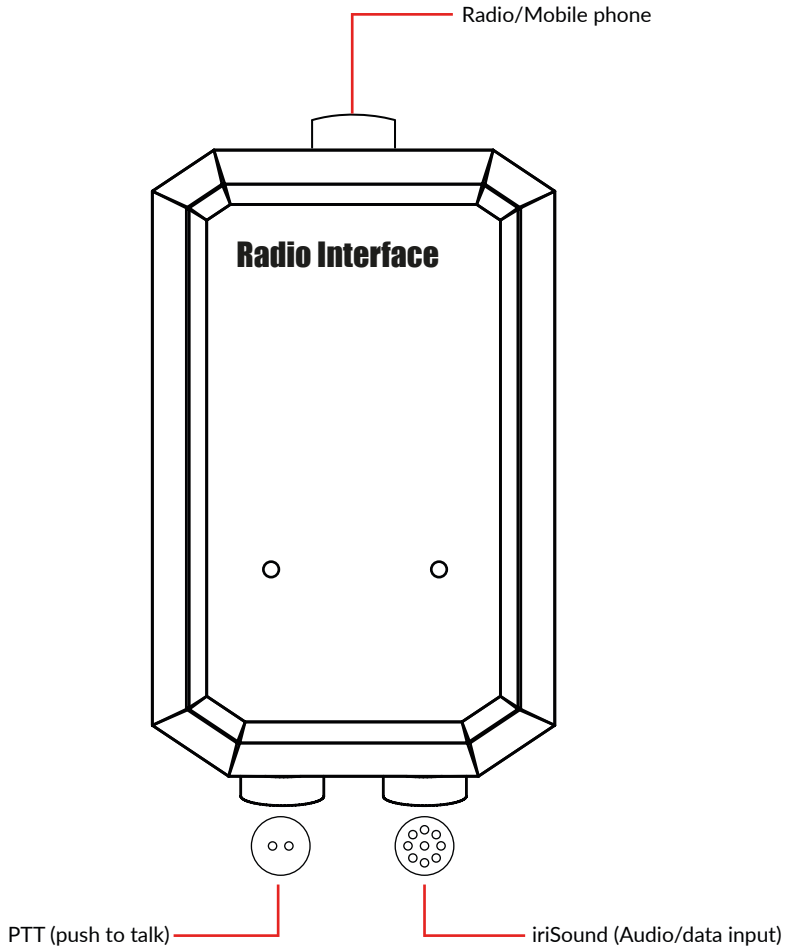
Gently use your hands to apply pressure and push the Radio Interface into place within the bracket. Ensure a firm and secure fit by pressing it all the way until you feel a snap, indicating that it is properly seated in the sockets. It is important to note that this should be done manually without the use of any tools. Avoid excessive force or using tools as it may cause damage to the device or bracket.



NOTE: This should be done manually without the use of any tools. Avoid excessive force or using tools as it may cause damage to the device or bracket.

4.1 Main Description

The Radio Interface acts as a link between an audio output, such as a radio or cell phone, and enables the user to integrate a radio into their intercom system.

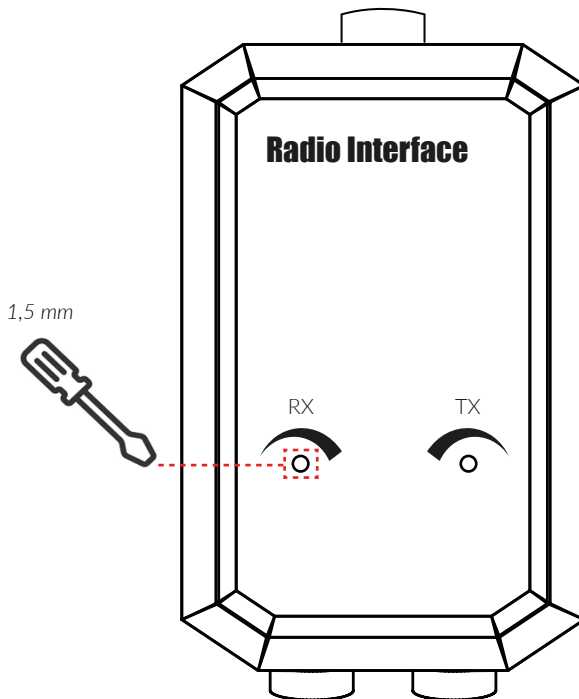


4.2 Volume controls

The Radio Interface features two separate volume controls: one for TX volume and one for RX volume.

To adjust these, remove the rubber sealing plugs by gently pulling them out of their sockets. Use a small flat-head screwdriver to fine-tune the volume level.

NOTE: The volume dials are very sensitive, so make only small adjustments at a time. Use a 1,5 mm flathead screwdriver to adjust the volume levels.



IMPORTANT: The Radio Interface is preset from the factory.

5.1 Specifications

Radio Interface	
Weight	230 g (excl. cable)
Size	110x75x50 mm
Waterproof	IP67
Temperature range	-30 to +60 °C
Connectivity	IWCS Bus
Frequency range	20 - 20.000 Hz
Power Supply	IWCS Bus
Part number	IR-20-1071.03-_____

5.2 Cleaning

Do not use chemicals or solvents to clean your Radio Interface. Use only fresh water. Pressure, friction, sharp objects, etc. can damage the product and the warranty may be void.

5.3 Warranty

Radio Interface is covered by a two (2) year warranty.

5.4 Service / Upgrades

Any Service or additional Upgrades must be handled by IWCS. Do not try to open or modify the IWCS product.

5.5 Maintenance

If your IWCS Radio Interface has been exposed to saltwater, chemicals or any other solvents/liquids, immediately rinse with freshwater and wipe with a dry cloth.

Radio Interface
is developed, designed and
manufactured by

IWCS Aps

**Hejrevang 13
3450 Allerød
Denmark**

+45 4343 2626

**info@iwcs.eu
www.iwcs.eu**