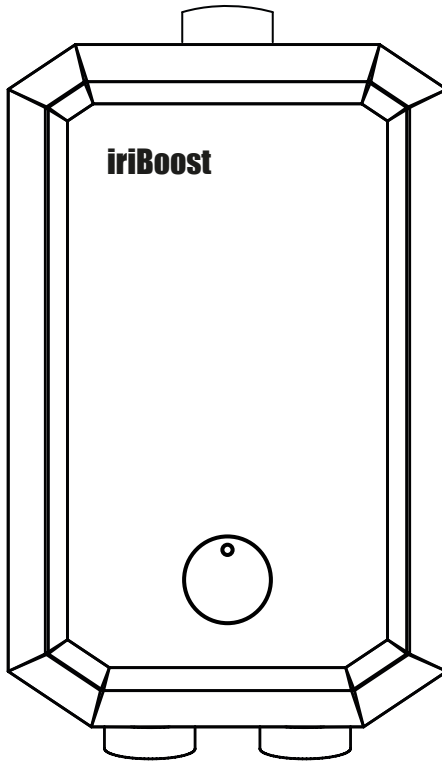




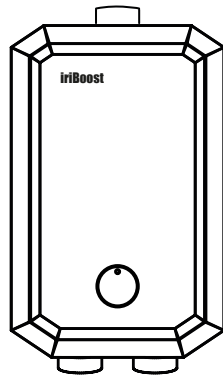
User manual



IriBoost

CONGRATULATIONS ON YOUR NEW PRODUCT FROM
IRIDIUM WATERPROOF COMMUNICATION SYSTEMS

IriBoost



IWCS HOPE YOU WILL ENJOY THE BENEFITS OF TROUBLE
FREE HIGH QUALITY INTERCOM. PLEASE READ THESE
INSTRUCTIONS CAREFULLY BEFORE FIRST USE.
IF INSTALLED, OPERATED AND MAINTAINED
ACCORDING TO THIS MANUAL THE IriBoost WILL BE A
RELIABLE PARTNER FOR MANY YEARS TO COME.

THOMAS B SVENNINGSSEN
CO-FOUNDER OF IWCS

1. Introduction

1.1 Disclaimer	Page:	4
1.2 Copyright	Page:	4
1.3 Trademark	Page:	4
1.4 Safety Warning	Page:	5

2. Unboxing

2.1 In the box	Page:	6
----------------	-------	---

3. Installation

3.1 Drill Template 1:1	Page:	7
3.2 Tools	Page:	9
3.3 Mounting	Page:	9
3.4 Bracket Placement	Page:	10
3.5 Installing the IriBoost	Page:	11

4. Operation

4.1 User guide	Page:	12
----------------	-------	----

5. Service And Maintenance

5.1 Specifications	Page:	13
5.2 Cleaning	Page:	13
5.3 Warranty	Page:	13
5.4 Service and upgrades	Page:	13
5.5 Maintenance	Page:	13

1.1 Disclaimer

Any responsibility or liability for loss or damage in connection with the use of this product and the accompanying documentation is disclaimed by IWCS.

The information in this manual is provided for information purposes only, is subject to change without notice and may contain errors or inaccuracies. Manuals issued by IWCS are periodically revised and updated.

Anyone relying on this information should acquire the most current version e.g. upon request at info@iwcs.eu
IWCS is not responsible for the content or accuracy of any translations or reproductions, in the whole or in part, of this manual from any other source.

1.2 Copyright

2024 Iridium Waterproof Communication Systems ApS. All right reserved.
Printed in Denmark.

1.3 Trademark

IriBoost is a Trademark by Iridium Waterproof Communication Systems ApS.

Revision	Release date	Release note
1.1	19-03-2024	General Revisit



Hejrevang 13
3450 Allerød
Denmark
+45 43 43 26 26
info@iwcs.eu
www.iwcs.eu

1.4 Safety warning

The following general safety precautions must be observed during all phases of operation, service and repair of this equipment. Failure to comply with these precautions or with specific warnings elsewhere in this manual violates safety standards of design, manufacture and intended use of the equipment. IWCS assumes no liability for the customer's failure to comply with these requirements.

- **EMC / RF EXPOSURE**

IriBoost is CE and UKCA certified as stated in the Declaration of Conformity.



- **FIRE**

In case of fire, harmful gases and fumes may occur. One should immediately leave the area and seek help. In case of suspected smoke in the lungs, a doctor should be consulted



- **POWER LOSS**

Power interruptions limited to IriBoost will not affect other users communication. A general power outage will turn off the entire intercom system. IWCS is not responsible for any power outages or consequences thereof, of any kind.



- **WARRANTY LIMITATIONS**

IMPORTANT - This unit is a sealed waterproof unit (classified IP67). To create and maintain its waterproof integrity it has been assembled in a controlled environment using special equipment. This unit is NOT a user serviceable unit, and under no circumstances should the unit be opened except by authorized personnel. Unauthorized opening of the unit will invalidate the warranty.



- **DISPOSAL**

When disposing of IriBoost and related equipment, it must happen in accordance with applicable national law.

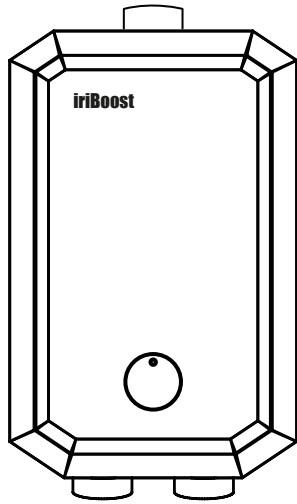


Hejrevang 13
3450 Allerød
Denmark
+45 43 43 26 26
info@iwcs.eu
www.iwcs.eu

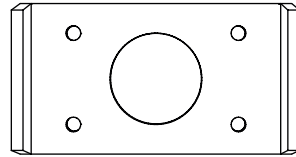
6 Unboxing

2.1 In The Box

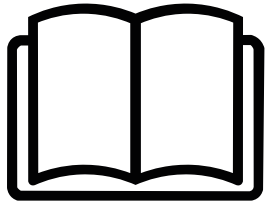
1 x IriBoost



1 x Mounting Bracket

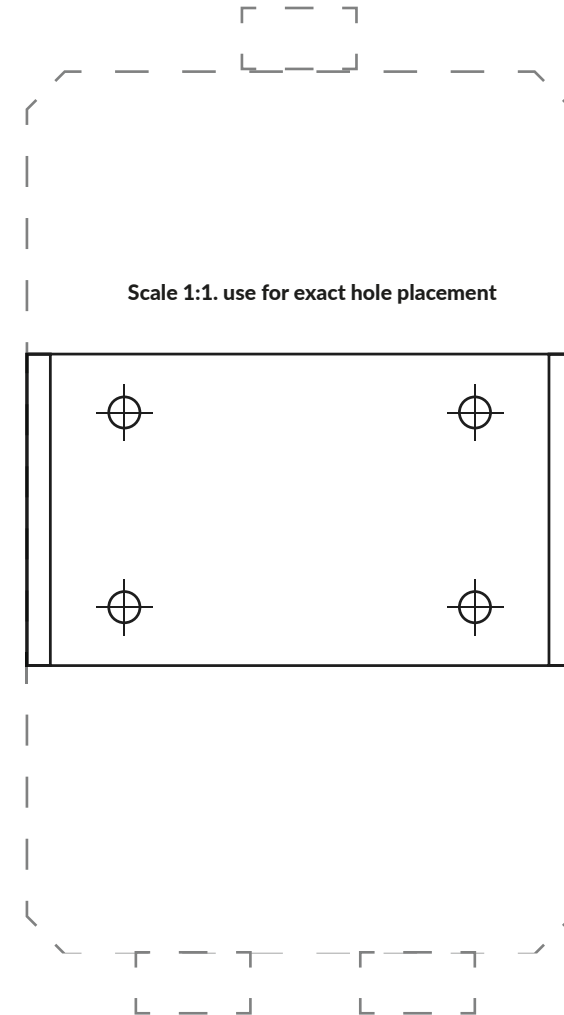


1 x User Manual



Installation 7

3.1 Drill Template 1:1



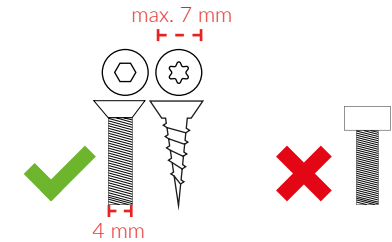


Backside of drill template

3.2 Tools

Before installation please prepare the following tools:

- Tape
- 4,5 or 3,3 mm drill bits
- Drill
- Screw heads may not exceed 7 mm
- Silicone based sealant



3.3 Installation

When mounting the IriBoost, it is essential to consider the material and the appropriate drill bit size. Please note the following guidelines:

If you are using wood screws you will need:

- 3x 4 mm screws.
- Drill 3.3 mm holes.

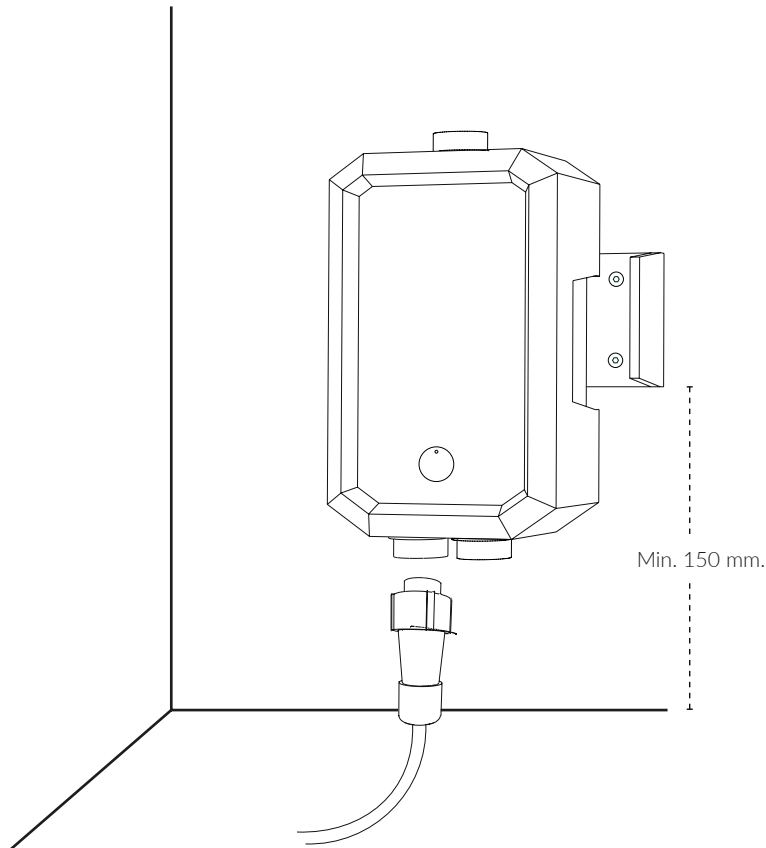
If you are using machine screws you will need:

- 3x 4 mm screws.
- 3x locking bolts.
- 3x washers.
- Drill 4.5 mm holes.

*Note that no mounting equipment is included in the box.

3.4 Bracket placement

The minimum distance from the underside of the bracket to the nearest surface should be no less than **150 millimeters** to ensure proper cable clearance.

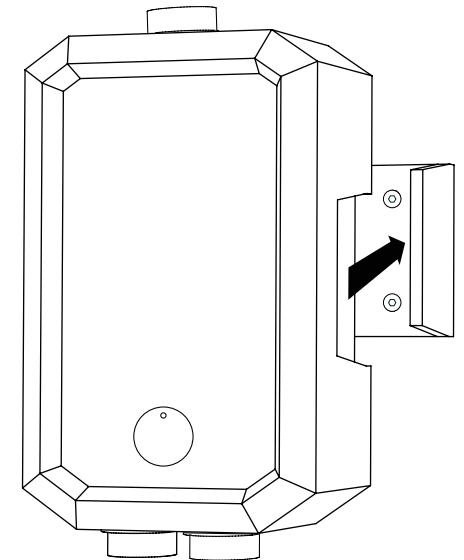


3.5 Installing the iriBoost

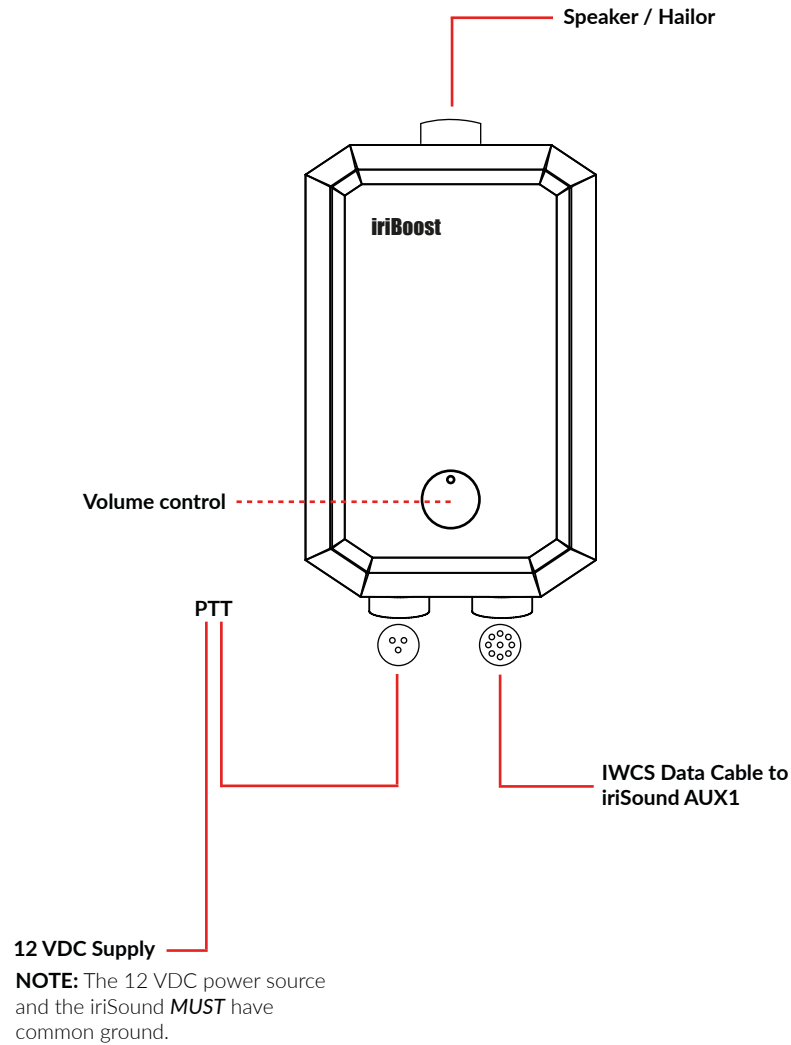
Once the bracket is securely in place, you can proceed to insert the iriBoost into the designated slot. You might need to wiggle the iriBoost slightly to make it fit between the bracket arms.

Securely in place

Gently use your hands to apply pressure and push the iriBoost into place within the bracket. Ensure a firm and secure fit by pressing it all the way until you feel a snap, indicating that it is properly seated in the sockets. It is important to note that this should be done manually without the use of any tools. Avoid excessive force or using tools as it may cause damage to the device or bracket.



4.1 User Guide



5.1 Specifications

iriBoost	
Weight	230 g
Size	110x75x50 mm
Waterproof	IP67
Temperature range	-30 to +60 °C
Audio resolution	20 - 20.000 Hz
Interfaces	1 x PWR (12 VDC)
Power Supply	10-16 VDC / 10A (max)
Part number	IR-20-1220-01

5.2 Cleaning

Do not use chemicals or solvents to clean your IriBoost. Use only fresh water. Pressure, friction, sharp objects, etc. can damage the product and the warranty may be void.

5.3 Warranty

iriBoost is covered by a two (2) year warranty.

5.4 Service / Upgrades

Any Service or additional Upgrades must be handled by IWCS Do not try to open or modify the IWCS product.

5.5 Maintenance

If your IWCS IriBoost has been exposed to saltwater, chemicals or any other solvents/liquids, immediately rinse with freshwater and wipe with a dry cloth.



Hejrevang 13
3450 Allerød
Denmark

+45 43 43 26 26
info@iwcs.eu
www.iwcs.eu



Hejrevang 13
3450 Allerød
Denmark

+45 43 43 26 26
info@iwcs.eu
www.iwcs.eu

iriBoost
is developed, designed and
manufactured by

IWCS Aps

**Hejrevang 13
3450 Allerød
Denmark**

+45 4343 2626

**info@iwcs.eu
www.iwcs.eu**

