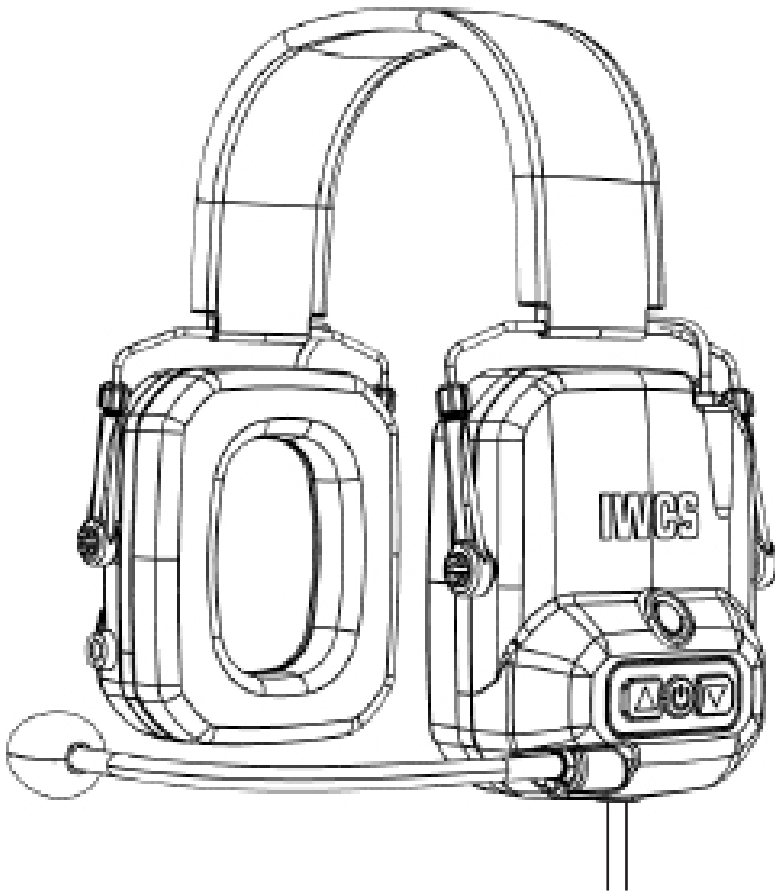




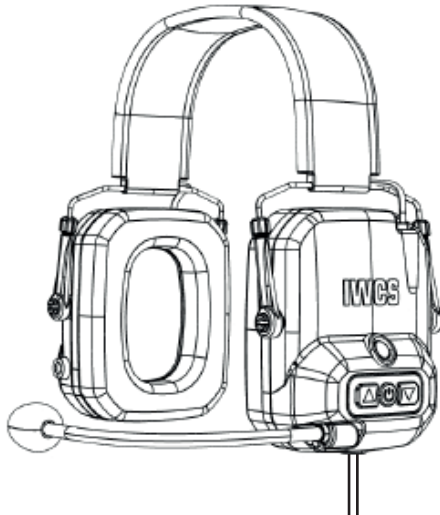
User manual



iriComm 4.0 Wired

CONGRATULATIONS ON YOUR NEW PRODUCT FROM
IRIDIUM WATERPROOF COMMUNICATION SYSTEMS

iriComm 4.0



WIRED HEADSET

IWCS HOPE YOU WILL ENJOY THE BENEFITS OF TROUBLE FREE HIGH QUALITY INTERCOM. PLEASE READ THESE INSTRUCTIONS CAREFULLY BEFORE FIRST USE. IF INSTALLED, OPERATED AND MAINTAINED ACCORDING TO THIS MANUAL. iriComm 4.0 WILL BE A RELIABLE PARTNER IN MANY YEARS TO COME.

THOMAS B SVENNINGSSEN
CO-FOUNDER OF IWCS

1. Introduction

1.1 Disclaimer	Page:	4
1.2 Copyright	Page:	4
1.3 Trademark acknowledgements	Page:	4
1.4 Safety warning	Page:	5

2. Unboxing

2.1 What's in the box	Page:	6
-----------------------	-------	---

3. iriComm 4.0 Wired

3.1 Intro	Page:	7
3.2 Buttons and Funktionen	Page:	8
3.3 Lead Wire	Page:	8

4. General

4.1 Microphone	Page:	9
4.2 Earpads	Page:	9
4.3 Swivel Arms	Page:	10

5. Helent

5.1 Helmet Mount	Page:	11
------------------	-------	----

6. Service and Maintenance

6.1 Maintenance	Page:	12
6.2 Daily Cleaning	Page:	12
6.3 Deep Cleaning	Page:	13
6.4 Cleaning Disclaimer	Page:	13

4

Introduction

1.1 Disclaimer

Any responsibility or liability for loss or damage in connection with the use of this product and the accompanying documentation is disclaimed by IWCS.

The information in this manual is provided for information purposes only, is subject to change without notice and may contain errors or inaccuracies.

Manuals issued by IWCS are periodically revised and updated.

Anyone relying on this information should acquire the most current version e.g. upon request at info@iwcs.eu

IWCS is not responsible for the content or accuracy of any translations or reproductions, in the whole or in part, of this manual from any other source.

1.2 Copyright

2023 Iridium Waterproof Communication Systems ApS. All right reserved.

Printed in Denmark.

1.3 Trademark acknowledgements

iriComm 4.0 is a Trademark by Iridium Waterproof Communication Systems ApS.

Revision	Date	Description
1.0	18-08-2023	



Porthusvej 7A +45 43 43 26 26
3490 Kvistgaard info@iwcs.eu
Denmark www.iwcs.eu

1.4 Safety warning

The following general safety precautions must be observed during all phases of operation, service and repair of this equipment. Failure to comply with these precautions or with specific warnings elsewhere in this manual violates safety standards of design, manufacture and intended use of the equipment. IWCS assumes no liability for the customer's failure to comply with these requirements.

- **EMC / RF EXPOSURE**

iriComm 4.0 is CE and UKCA certified as stated in the Declaration of Conformity.



- **FIRE**

In case of fire, harmful gases and fumes may occur. One should immediately leave the area and seek help. In case of suspected smoke in the lungs, a doctor should be consulted.



- **POWER LOSS**

In the event of a power outage, iriComm 4.0 will turn off and will automatically restart when power is restored.

Power interruptions limited to iriComm 4.0 will not affect other users' communication. A general power outage will turn off the entire intercom system. IWCS is not responsible for any power outages or consequences thereof, of any kind.



- **WARRANTY LIMITATIONS**

IMPORTANT - This unit is a sealed waterproof unit (classified IPX7). To create and maintain its waterproof integrity it has been assembled in a controlled environment using special equipment. This unit is NOT a user serviceable unit, and under no circumstances should the unit be opened except by authorized personnel. Unauthorized opening of the unit will invalidate the warranty.



- **DISPOSAL**

When disposing of iriComm 4.0 and related equipment, it must happen in accordance with applicable national law. There can be batteries in iriComm 4.0 (wireless versions and some wired versions).



6

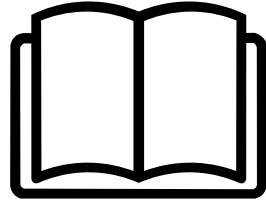
Unboxing

2.1 What's in the box

1 x iriComm 4.0 Wired Headset



1 x User Manual



1 x IWCS Wind Muff Kit



1 x IWCS Bandana



3.1 Intro

The iriComm 4.0 Wired headset is a communication solution designed to enhance your maritime operations. With advanced features and reliable performance, this headset offers efficient communication in challenging environments.

Key features of the iriComm 4.0 Wired headset include:

- **Crystal Clear Communication:** The headset provides clear and intelligible communication, ensuring that important messages are relayed accurately even in noisy or demanding situations.
- **Durable Design:** Built to withstand the rigors of maritime use, the iriComm 4.0 wired headset is constructed with high-quality materials to ensure durability and longevity.
- **Comfortable Fit:** Ergonomically designed for comfort during extended use, the headset ensures that your team can stay connected without discomfort or fatigue.
- **Wired Connectivity:** The wired connection offers a reliable and stable link to your communication system, minimizing the risk of signal interference and dropouts.



3.2 Buttons and Funktionen

Located on the right earcup of the iriComm 4.0 Wired headset, you will find two buttons that serve as Push-to-Talk (PTT) controls. When your headset is connected to your radio, these buttons allow you to initiate transmissions (TX).



3.3 Lead wire

iriComm 4.0 Wired must be connected to iriSound via an active headset interface (iriHS), or directly to a handheld radio.

The left side earcup has a curly lead, which typically extends from 40cm up to 120cm when pulled. Actual length vary depending on cable and termination type.

Your wired headset is now connected and ready to use.



Do **NOT** pull the cable further than recommended by the cable manufacturer.

Follow the guidelines from the radio manufacturer on how to insert the cable.

4.1 Microphone

Place the microphone at a distance of less than 1 cm in front of your mouth.

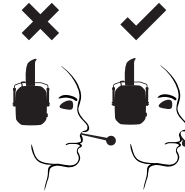
The noise cancelling, directional microphone is a very sensitive component, and must be placed in the right position for optimal performance. Underneath the wind muff there is a flat surface indicating which side must point towards your mouth.



Use the right wind muff



Talk into the flat side of the microphone



Keep the mic so close to the mouth you can kiss it

4.2 Earpads

The earpads can be replaced if needed. Please order our hygiene kit through your local dealer. To maintain the warranty of your product we strongly recommend that you let your authorized dealer do this for you.

set of two



To replace the earpads:

1. Remove the foam from the earcup.
2. Reach behind the earpads.
3. Gently pull them out.

Please be aware that this might be a snug fit, so a slight twisting motion while pulling may be necessary. It is important not to use excessive force or any tools, as this could result in damage.

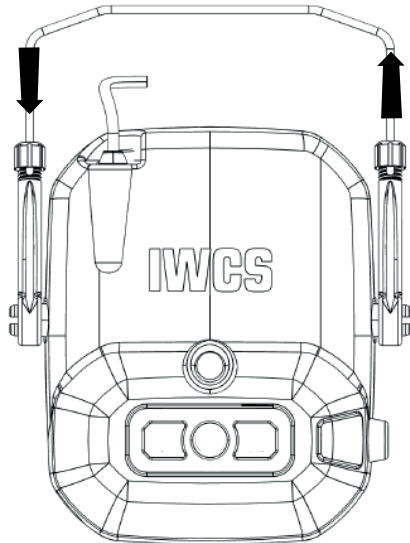
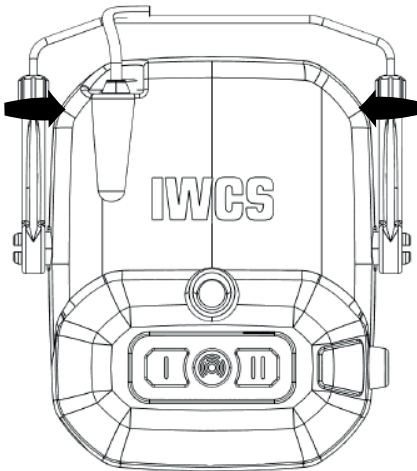
We highly recommend having your local dealer handle this process for you.

4.3 Swivel Arms

The swivel arms on the headset are designed to be adjusted for a proper fit. It is essential to adjust them to ensure a comfortable and secure wearing experience. When properly adjusted, the swivel arms should cover your ears completely, leaving no gaps. This ensures optimal sound isolation and a snug fit for enhanced communication performance. Take the time to adjust the swivel arms to achieve the best fit for your individual comfort and communication needs.

1. Loosen the tension by turning the nuts on the swivel arm.

2. After loosening the nuts, you can adjust the earcups up and down according to your preference. Remember to tighten the nuts after making adjustments.



5.1 Helmet Mount

The brackets on the iriComm 4.0 are designed to fit a semi-standard 88 mm size for helmet mounts. This size is commonly used and widely available, making it easy to find suitable helmet mounts that can securely hold the iriComm 4.0 headset in place.



Supported helmets

Team Wendy EXFIL SAR

OPS Core SAR

Future Safety Manta

Many other helmets supported - consult your dealer or IWCS for advice



Bracket

Mark Rail

OPS Core Bracket

FS bracket + IWCS universal bracket



IWCS part number

UT-MKIT-TWRail

UT-MKIT-ARCRail

FS-HS-BRCKT + SG-IC-0001

6.1 Maintenance

Do not use chemicals or solvents to clean your iriComm 4.0 headset. Use only a damp cloth, and cold/lukewarm freshwater and wipe/rinse carefully the visible surfaces on your iriComm headset.

aophone, and replace the microphone wind muff if it has absorbed salt crystals or in any other way is marked by salt. Let the microphone dry out totally, before installing a new wind muff.

Do not flush fresh water directly into the speaker openings. Rinse carefully. The speaker is a fragile component.

When the headset is clean and salt residue and dirt removed, let the headset dry with the speakers facing downwards allowing for water to run out.

Pressure, friction, sharp objects, etc. can damage the product and the warranty may be void. If the headset is not in use for a longer period of time, remember to charge the battery every 2 months to extend battery life.

The charge connector is gold plated and require a minimum of maintenance. Salt crystals must be removed to secure full connection. Remove with cold/lukewarm water, and dry with a cotton swab or soft tissue. Apply a thin layer of acid-free silicone based lubricate to protect the conductive gold surface.

To maintain hygiene standards, the earpads and the inside of the headband must be wiped with a non-alcoholic antibacterial swipe.

After wet use, the headband must be dried completely to extend the life of the stitches. The wind muff must be removed after wet use. Flush and dry the wind muff.

6.2 Daily Cleaning

Regular Cleaning and Storage

To ensure a long lifespan for your iriComm 4.0 headset, regular cleaning and maintenance are essential.

After a day of use, it is recommended to wipe the headset with a damp cloth to prevent the buildup of salt crystals over time.

If the wind muff is wet, it is crucial not to squeeze the water out while it is still on the microphone. Doing so may force the water into the microphone, potentially causing damage or even rendering it inoperable. This action could void the warranty. Instead, remove the wind muff from the microphone, gently squeeze out the water, and allow it to dry completely before reattaching it. Use fresh water to clean the microphone.

After cleaning your headset, make sure to let it dry thoroughly. To facilitate effective drying, position it in a way that allows proper airflow around the cleaned areas. Hanging it on a wall or any suitable surface can be a good option for this purpose.

6.3 Deep Cleaning

If your headset has been fully submerged in water, it's important to follow these steps to prevent potential defects.

Please note that the iriComm 4.0 headset holds an IP67 rating while being worn. This rating indicates that if the headset becomes fully submerged underwater while not being worn, water might penetrate the earcups. However, this should not cause damage to your headset if it's properly cleaned afterward.

If water has penetrated into your earcups, regardless of whether the headset was worn or not, please clean it as described below.

1. Remove the foam from inside the earcup. This can be easily done by pinching it and pulling it out from the earcup.
2. Drain any remaining water and gently dry the inside of the earcup using a soft tissue or cloth.
3. Allow your headset to thoroughly dry before reinserting the foam into the earcups.

6.4 Cleaning Disclaimer

Regular maintenance and cleaning of your IWCS products are essential to ensure their optimal performance and longevity. Failure to clean and maintain your devices as instructed in the provided manual may lead to functional issues, damage, or reduced lifespan. Ultimately, loss of warranty.

Please follow the recommended cleaning procedures outlined in the user manual provided with your IWCS products. These instructions are designed to assist you in maintaining the quality and reliability of your devices. If you have any questions or concerns about the cleaning process, please don't hesitate to contact our customer support team for assistance.

IWCS shall not be held responsible for any defects, malfunctions, or adverse effects resulting from inadequate or improper cleaning practices. Your proactive care and adherence to our cleaning guidelines are crucial in ensuring the continued satisfaction and performance of your IWCS products.

iriComm 4.0 Wired
is developed, designed and
manufactured by

IWCS Aps

**Porthusvej 7A
3490 Kvistgaard
Denmark**

+45 4343 2626

**Info@iwcs.eu
www.iwcs.eu**

