

Technical Data Sheet

Astro PFP FR Acrylic

Revision 2 - 4th May 2020



> Technical Data	Product Overview	> Page 1
> Technical Data	Linear seals	> Page 2
> Technical Data	Cables in floors	> Page 3-4
> Technical Data	Steel pipes in floors	> Page 4-5
> Technical Data	Copper pipes in floors	> Page 6-7
> Technical Data	Alupex pipes in floors	> Page 7-8
> Technical Data	Plastic pipes in floors	> Page 8
> Technical Data	Plastic conduits in floors	> Page 8-9
> Technical Data	Horizontal and Vertical Linear seals	> Page 9
> Technical Data	Cables in masonry or concrete walls	> Page 10
> Technical Data	Steel pipes in masonry or concrete walls	> Page 10-11
> Technical Data	Copper pipes in masonry or concrete walls	> Page 11-12
> Technical Data	Plastic pipes in masonry or concrete walls	> Page 12
> Technical Data	Vertical and Horizontal Linear seals	> Page 12-14
> Technical Data	Cables in drywalls, masonry or concrete walls	> Page 15
> Technical Data	Steel pipes in drywalls, masonry or concrete walls	> Page 15-17
> Technical Data	Copper pipes in drywalls, masonry or concrete walls	> Page 17
> Technical Data	Alupex pipes in drywalls, masonry or concrete walls	> Page 18
> Technical Data	Plastic pipes in drywalls, masonry or concrete walls	> Page 18-20
> Technical Data	Plastic conduits in drywalls, masonry or concrete walls	> Page 20-21

For linear seals without services, please refer to the Technical Data Sheet on page 2.

General Product Description

Astro PFP FR Acrylic is a high specification formulation designed to prevent the spread of fire, smoke and gases through openings in fire rated walls and floors, specifically linear movement joints and openings for building service penetrations. Astro PFP FR Acrylic expands when it is subjected to fire and closes openings around penetrations when any combustible or low temperature melting materials have burnt away. Astro PFP FR Acrylic should be applied over suitable backing materials to ensure correct width to depth ratio and to reduce shrinkage of the joint during hardening.

General Guide

Minimum separations and limitations: Services (single) can be sealed as specified in the detailed drawings. Minimum separation between services and the edge of the seal within each aperture should be 10mm to allow for correct fitting of backing and seal depth. Minimum separation between apertures should be at least 30mm. For larger joint dimensions or apertures other than described in the detailed drawings, Astro PFP FR Board or Astro PFP EX Mortar should be used.

Supporting constructions: Flexible walls must have a minimum thickness of 75 mm and comprise steel studs or timber studs*) lined on both faces with minimum 1 layer of 12.5 mm thick boards. Rigid walls must have a minimum thickness of 75 mm and comprise concrete, aerated concrete or masonry, with a minimum density of 650 kg/m³. Rigid floors must have a minimum thickness of 150 mm and comprise aerated concrete or concrete with a minimum density of 650 kg/m³. The supporting construction must be classified in accordance with EN 13501-2 for the required fire resistance period.

*) Timber studs: no part of the penetration seal may be closer than 100 mm to a stud, and minimum 100 mm of insulation of class A1 or A2 according to EN 13501-1 must be provided within the cavity between the penetration seal and the stud.

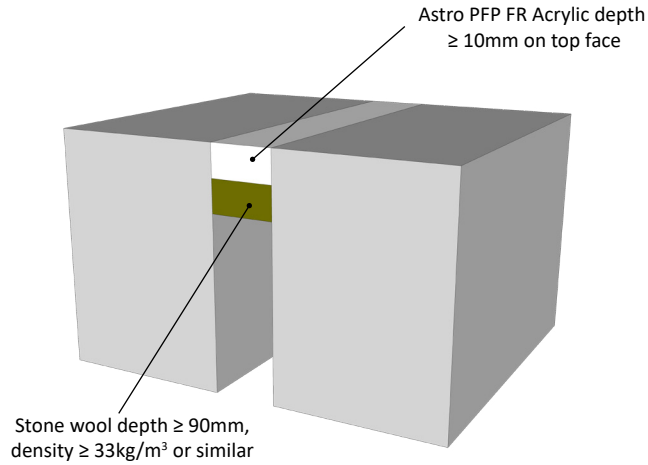
Installation

1. Before installing Astro PFP FR Acrylic ensure that the surface of all service penetrations and surrounding construction is free from all loose contaminants, dust and grease.
2. Where Astro PFP FR Acrylic is to be installed against surfaces that cannot tolerate direct contact; appropriate surface preparation should be made (contact Astroflame for guidance in these cases). For paints sensitive to sealing compounds, priming with a PVA primer is recommended.
3. As Astro PFP FR Acrylic is water based, in cases where corrosion protection is a problem; some metals may require a barrier between the sealant and the metal surface prior to this installation.
4. When installing the sealant in gypsum boards, the exposed edges of the board can be wetted with water, or Astro PFP FR Acrylic diluted with water to prime the surfaces helping adhesion and preventing excessive joint shrinkage.
5. When installing Astro PFP FR Acrylic in hollow floor slabs or boards, fire seals specified as single sided should be installed from the soffit side of the floor assuming there is sufficient thickness of concrete below the void to follow the installation guide. Where this is not the case, tubular voids should be filled with stone wool normally the same thickness as the depth of the floor slab. Alternatively, simply fire seal on both sides.
6. When installing any backing material, cut this slightly oversize and insert into the gap ensuring a tight friction fit. Ensure correct depth is achieved.
7. Fill the gap or joint with Astro PFP FR Acrylic to the required depth. Refer to the drawings on following pages 2 to 21 for guidance on joint design/dimensions. If installation does not have to meet any specific fire specification, it is recommended that a width to depth ratio of 2:1 is utilized, with a minimum depth of 12mm of sealant.
8. Apply the sealant generously to prevent air bubbles. Finish the bead with a moist spatula, pallet knife or brush.
9. Astro PFP FR Acrylic can be over-painted with most emulsion or alkyd (gloss) paints.

LINEAR SEALS FIRE RESISTANCE EI 240 (E 240)

IN RIGID FLOORS OR BETWEEN FLOORS AND WALLS

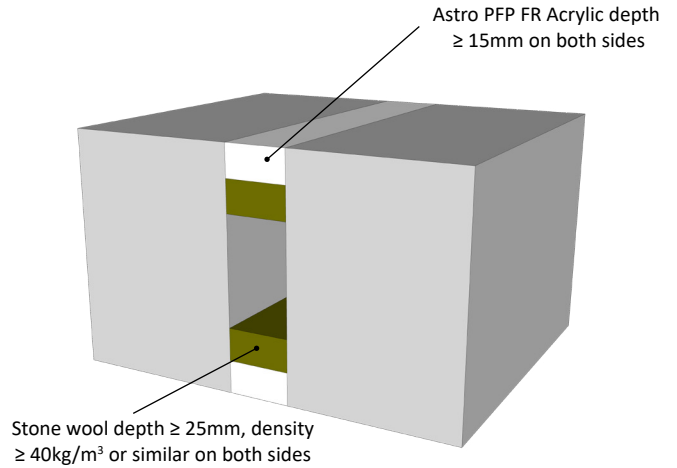
Maximum seal width 100mm



LINEAR SEALS FIRE RESISTANCE EI 120 (E 120)

IN RIGID FLOORS OR BETWEEN FLOORS AND WALLS

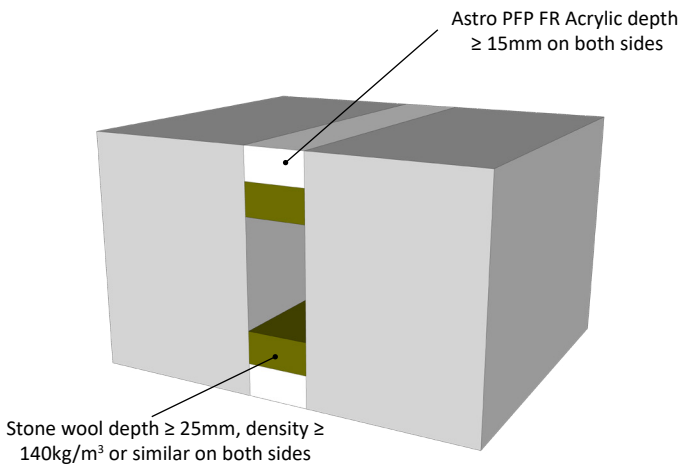
Maximum seal width 100mm



LINEAR SEALS FIRE RESISTANCE EI 180 (E 180)

IN RIGID FLOORS OR BETWEEN FLOORS AND WALLS

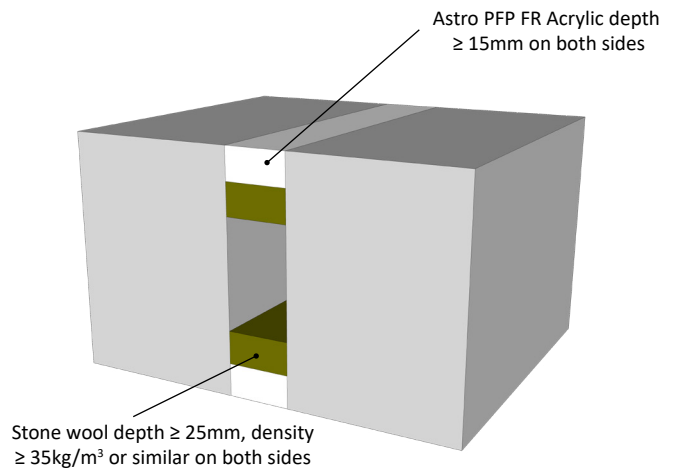
Maximum seal width 100mm



LINEAR SEALS FIRE RESISTANCE EI 240 (E 240)

IN RIGID FLOORS OR BETWEEN FLOORS AND WALLS

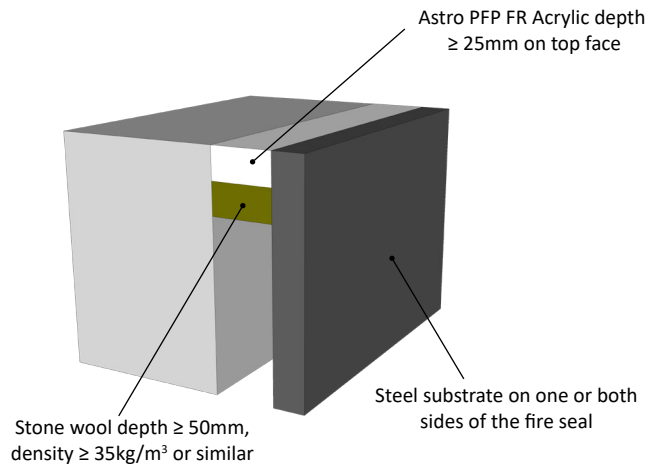
Maximum seal width 30mm



LINEAR SEALS FIRE RESISTANCE EI 30 (E 240)

IN RIGID FLOORS OR BETWEEN FLOORS AND WALLS

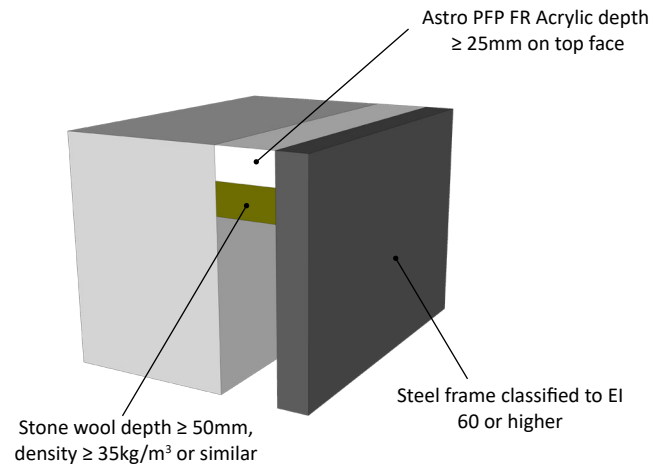
Maximum seal width 30mm



LINEAR SEALS FIRE RESISTANCE EI 60 (E 240)

IN RIGID FLOORS OR BETWEEN FLOORS AND WALLS

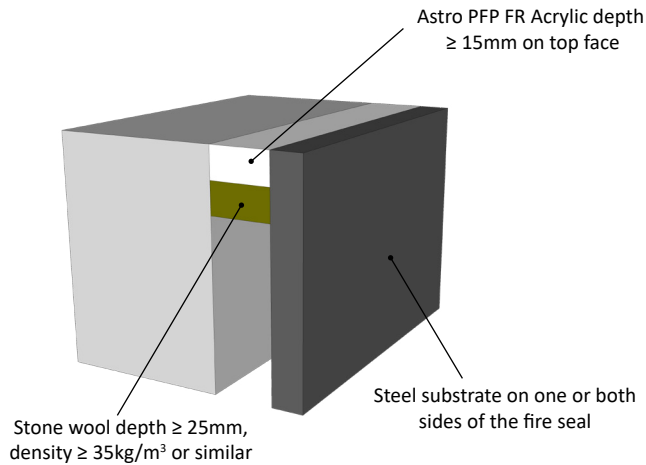
Maximum seal width 30mm



LINEAR SEALS FIRE RESISTANCE EI 45 (E 240)

IN RIGID FLOORS OR BETWEEN FLOORS AND WALLS

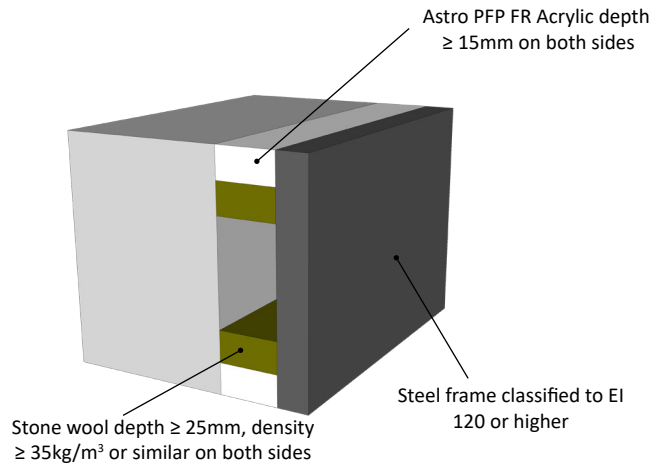
Maximum seal width 30mm



LINEAR SEALS FIRE RESISTANCE EI 120 (E 240)

IN RIGID FLOORS OR BETWEEN FLOORS AND WALLS

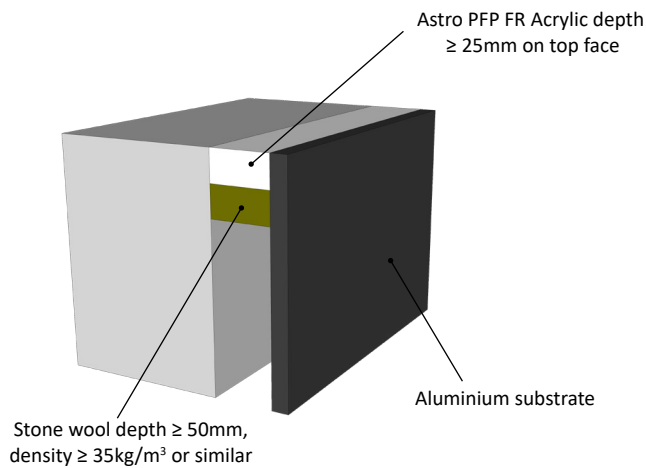
Maximum seal width 30mm



LINEAR SEALS FIRE RESISTANCE EI 20 (E 180)

IN RIGID FLOORS OR BETWEEN FLOORS AND WALLS

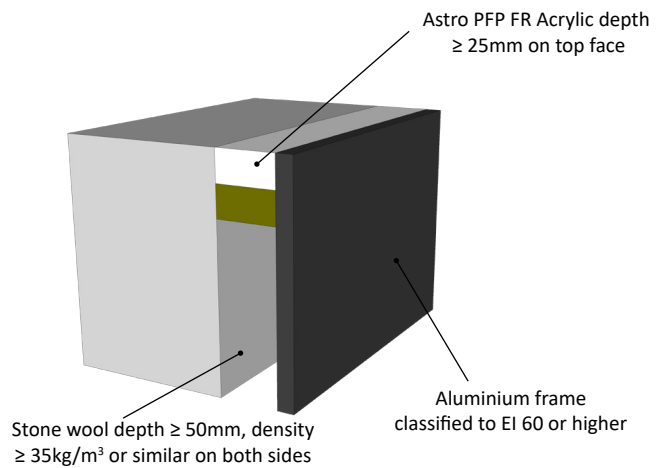
Maximum seal width 30mm



LINEAR SEALS FIRE RESISTANCE EI 60 (E 180)

IN RIGID FLOORS OR BETWEEN FLOORS AND WALLS

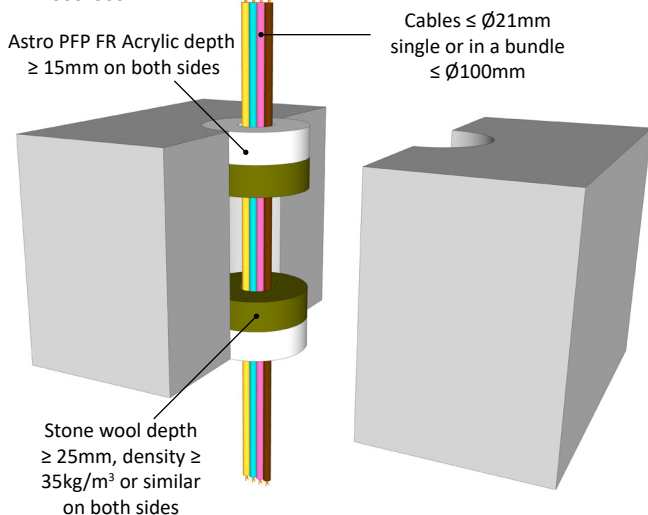
Maximum seal width 30mm



CABLES FIRE RESISTANCE EI 120 (E 120)

RIGID FLOORS

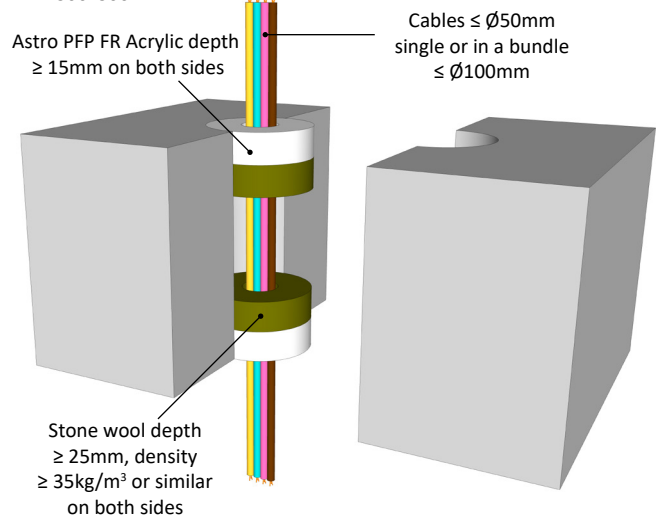
Maximum aperture 300x300mm



CABLES FIRE RESISTANCE EI 90 (E 120)

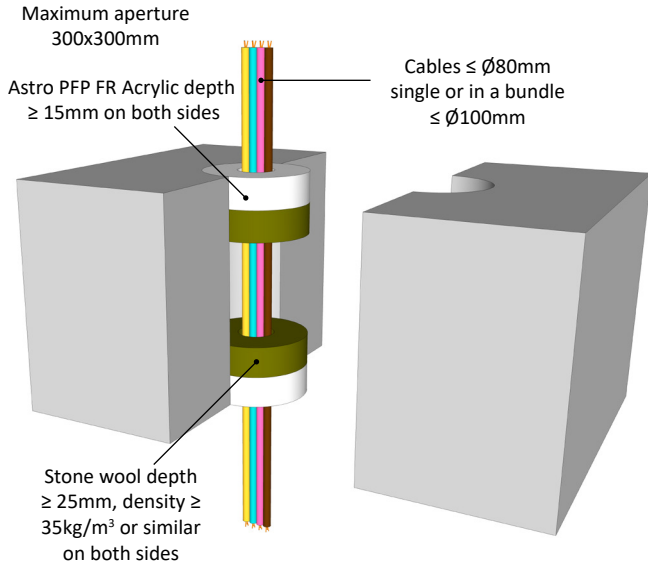
RIGID FLOORS

Maximum aperture 300x300mm



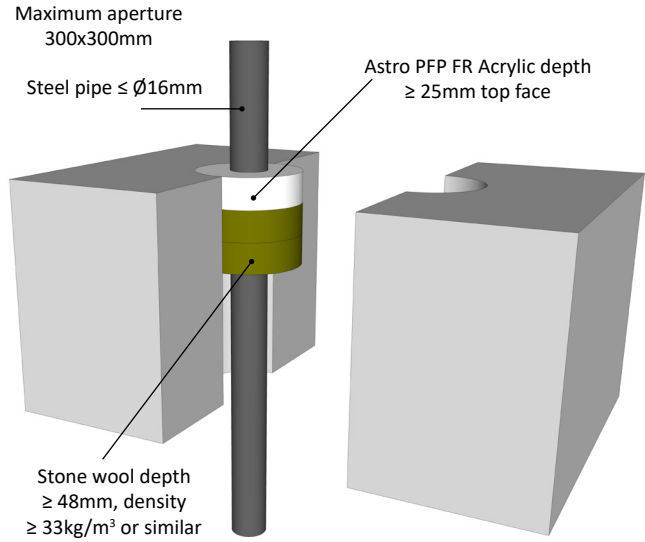
CABLES FIRE RESISTANCE EI 60 (E 120)

RIGID FLOORS



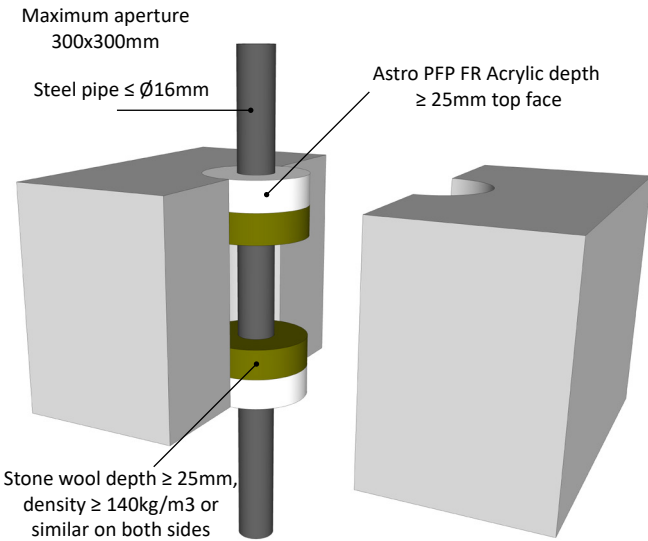
STEEL PIPE FIRE RESISTANCE EI 120 C/U (E 120 C/U)

RIGID FLOORS



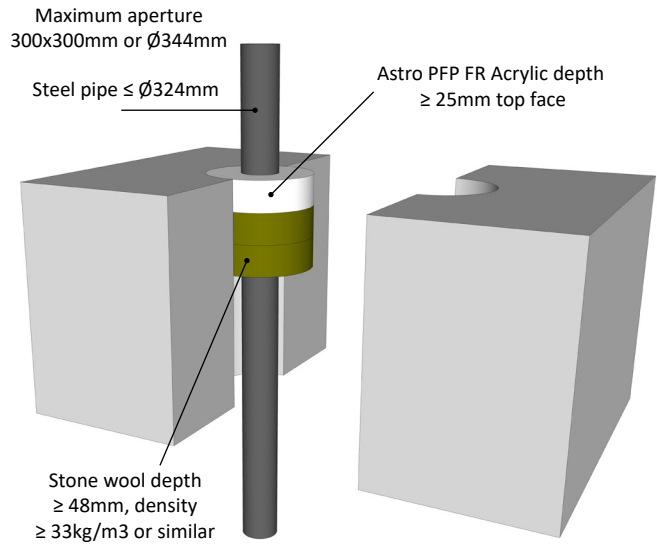
STEEL PIPE FIRE RESISTANCE EI 240 C/U (E 240 C/U)

RIGID FLOORS



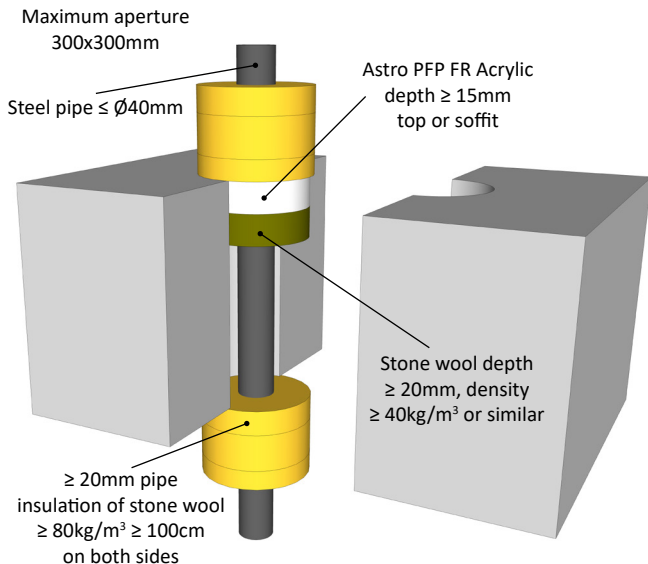
STEEL PIPE FIRE RESISTANCE E 120 C/U

RIGID FLOORS



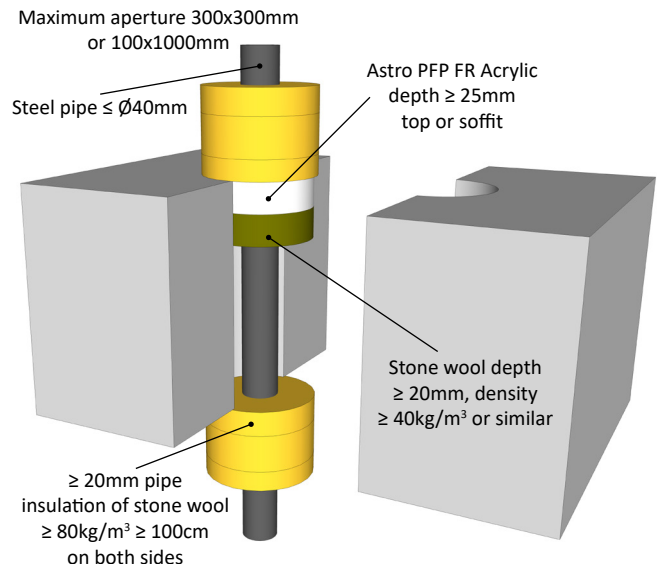
STEEL PIPE FIRE RESISTANCE EI 60 C/U (E 90 C/U)

RIGID FLOORS



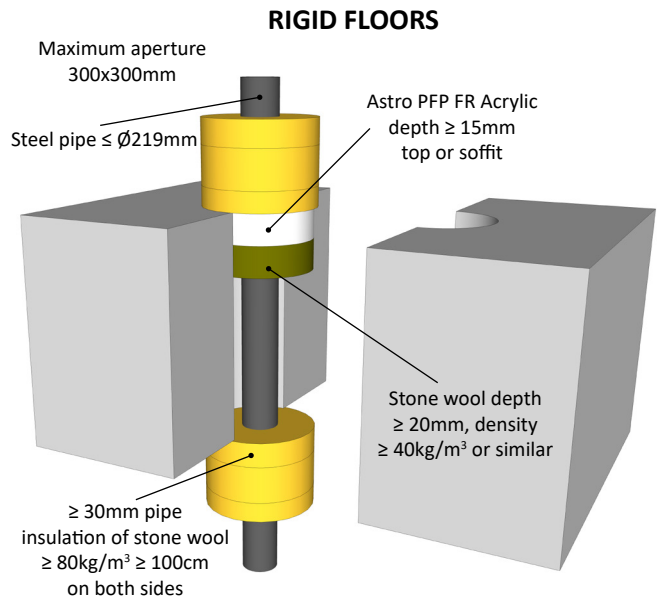
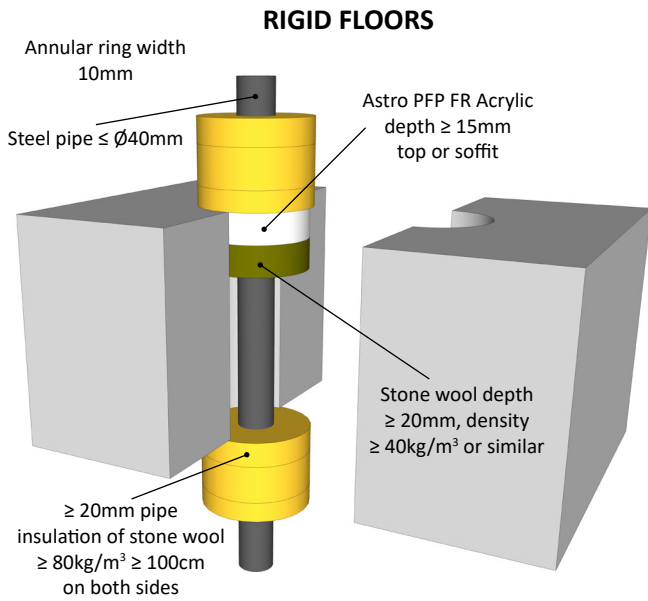
STEEL PIPE FIRE RESISTANCE EI 90 C/U (E 120 C/U)

RIGID FLOORS



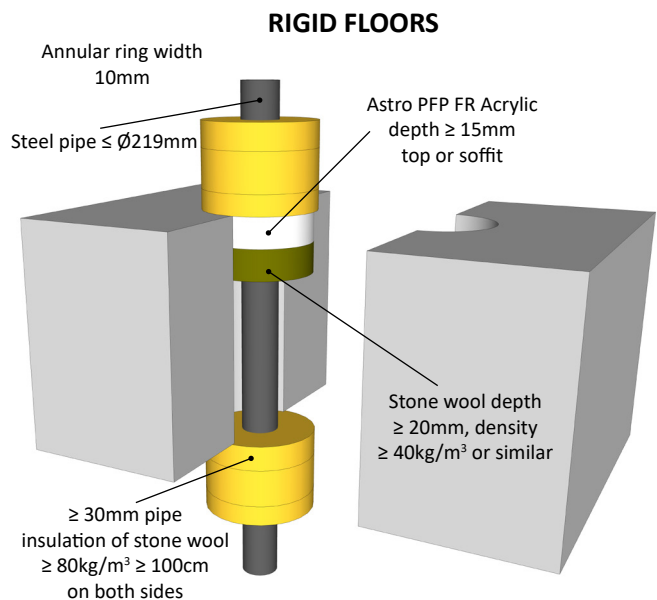
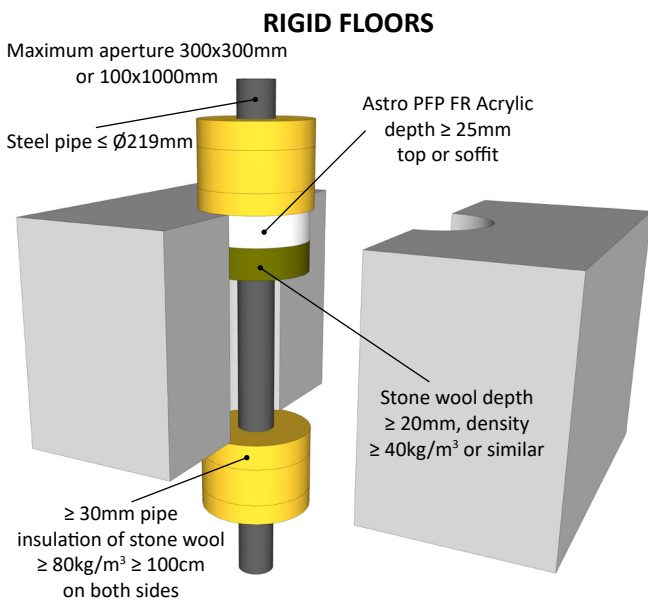
STEEL PIPE FIRE RESISTANCE EI 240 C/U (E 240 C/U)

STEEL PIPE FIRE RESISTANCE EI 60 C/U (E 90 C/U)



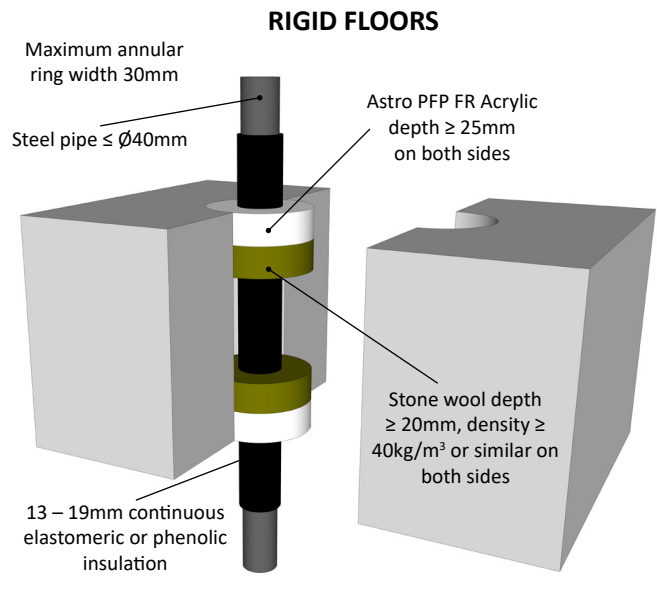
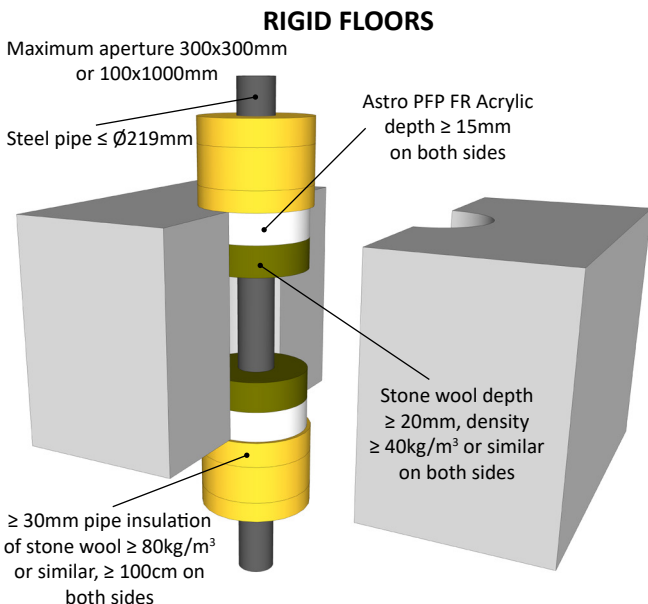
STEEL PIPE FIRE RESISTANCE EI 90 C/U (E 120 C/U)

STEEL PIPE FIRE RESISTANCE EI 90 C/U (E 240 C/U)



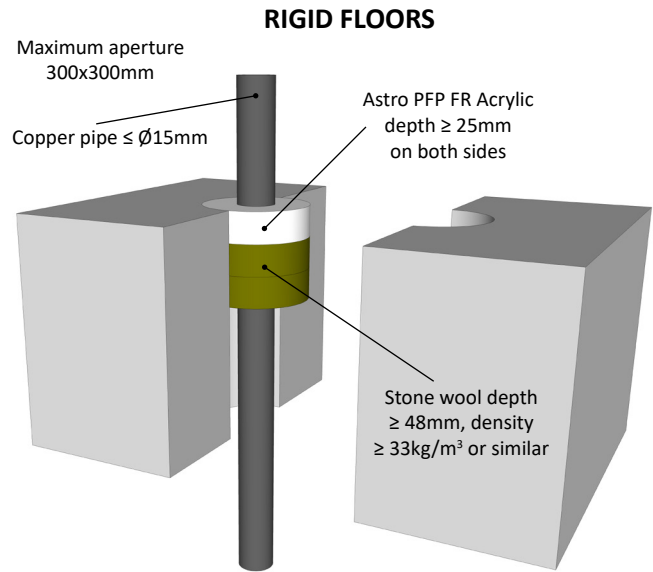
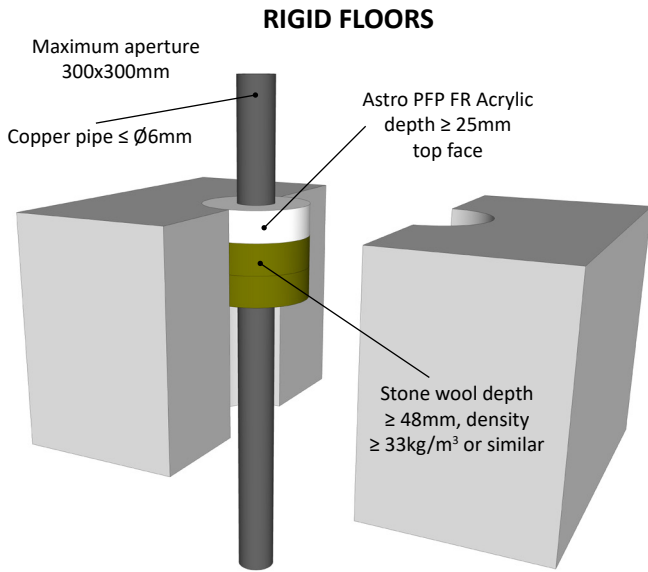
STEEL PIPE FIRE RESISTANCE EI 120 C/U (E 240 C/U)

INSULATED STEEL PIPE FIRE RESISTANCE EI 180 C/U (E 180)



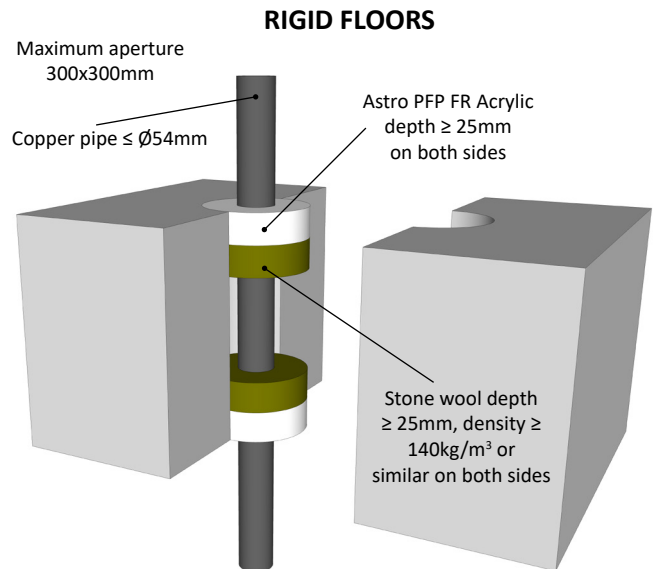
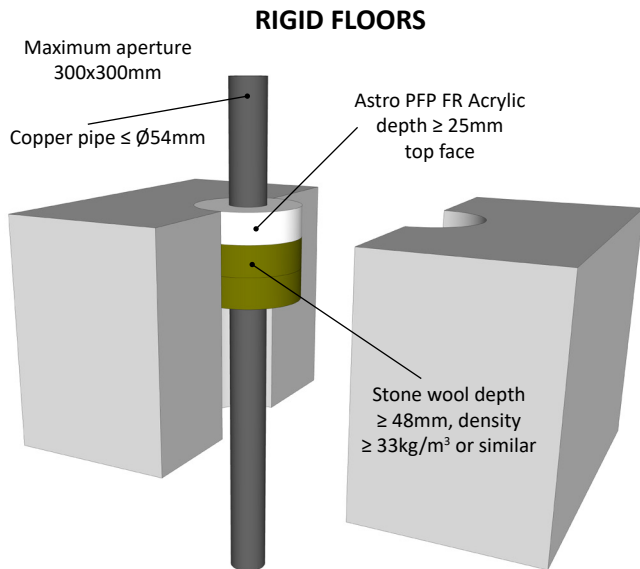
COPPER PIPE FIRE RESISTANCE EI 120 C/C (E 120 C/C)

COPPER PIPE FIRE RESISTANCE EI 60 C/C (E 120 C/C)



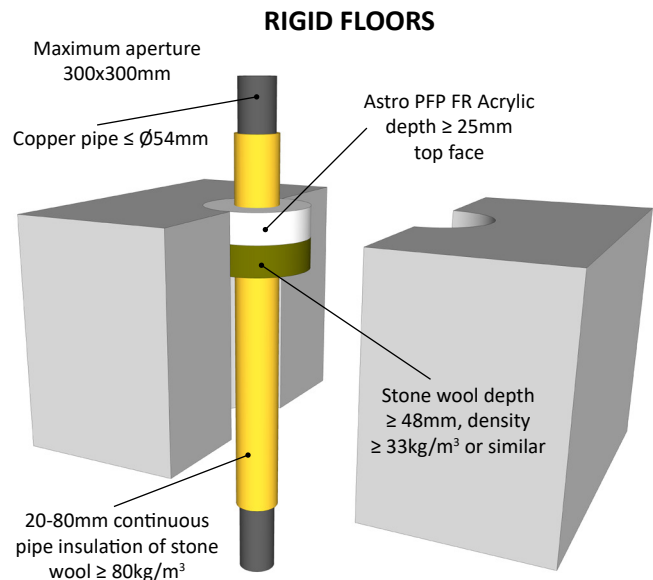
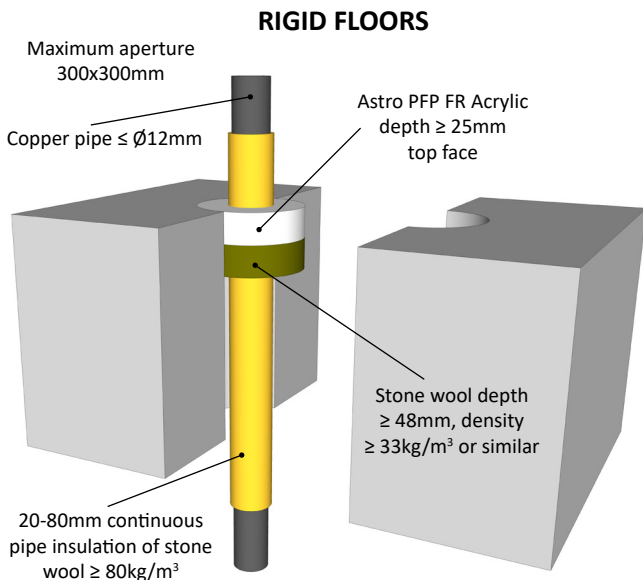
COPPER PIPE FIRE RESISTANCE E 120 C/C

COPPER PIPE FIRE RESISTANCE EI 20 C/U (E 120 C/U)



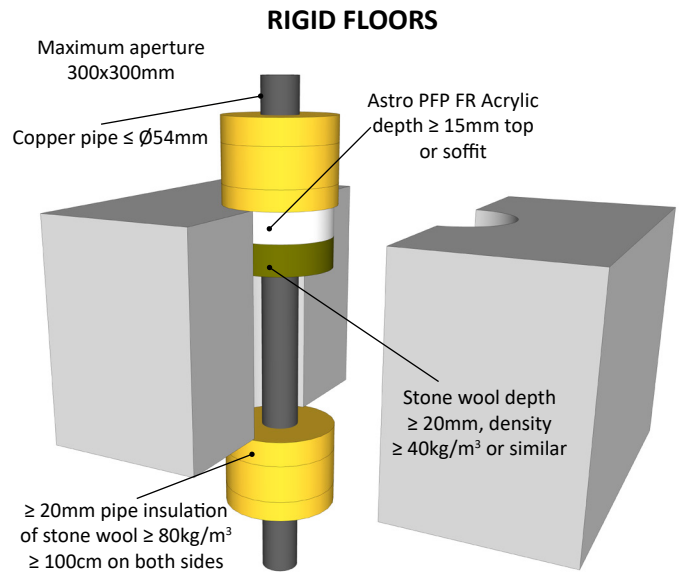
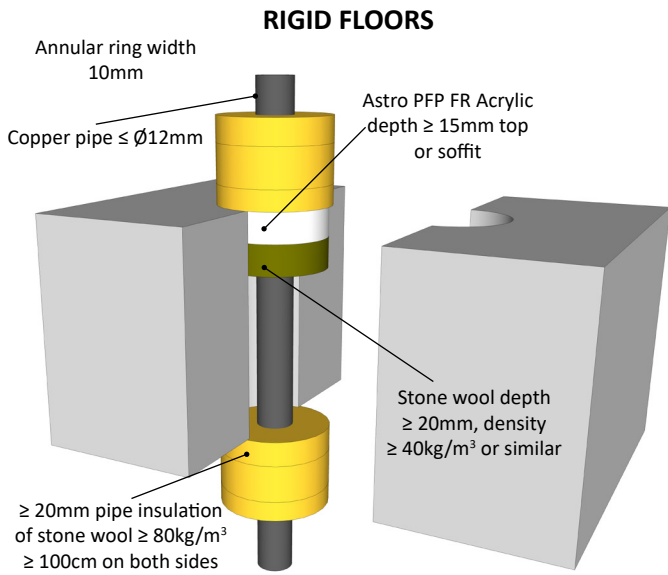
INSULATED COPPER PIPE FIRE RESISTANCE EI 240 C/C (E 240)

INSULATED COPPER PIPE FIRE RESISTANCE EI 180 C/C (E 240)



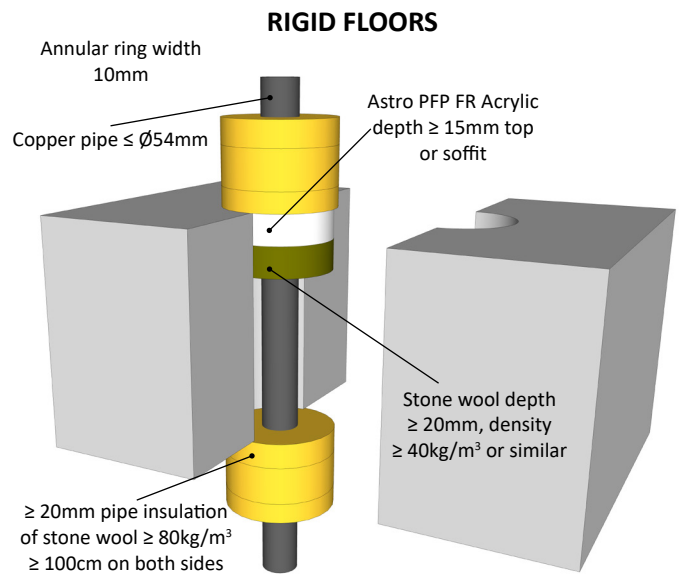
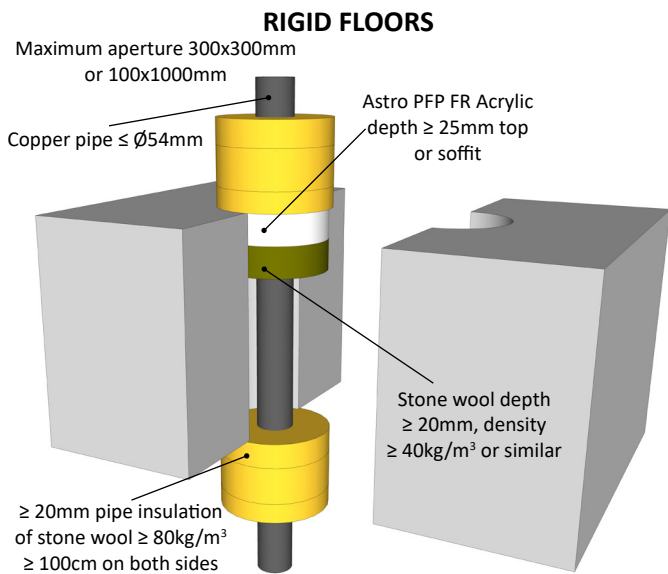
COPPER PIPE FIRE RESISTANCE EI 240 C/U (E 240 C/U)

COPPER PIPE FIRE RESISTANCE EI 60 C/U (E 90 C/U)



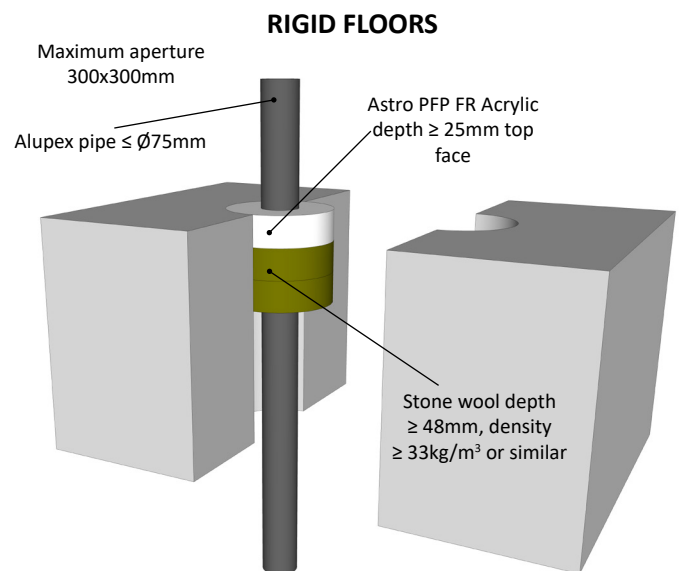
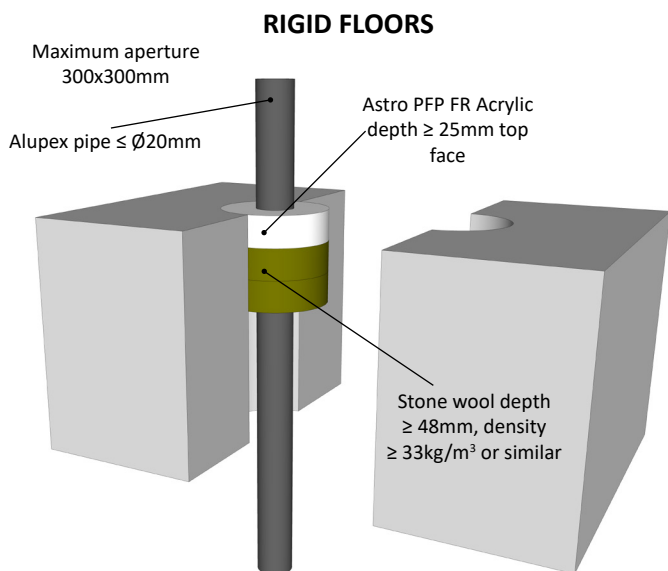
COPPER PIPE FIRE RESISTANCE EI 120 C/U (E 120 C/U)

COPPER PIPE FIRE RESISTANCE EI 180 C/U (E 240 C/U)



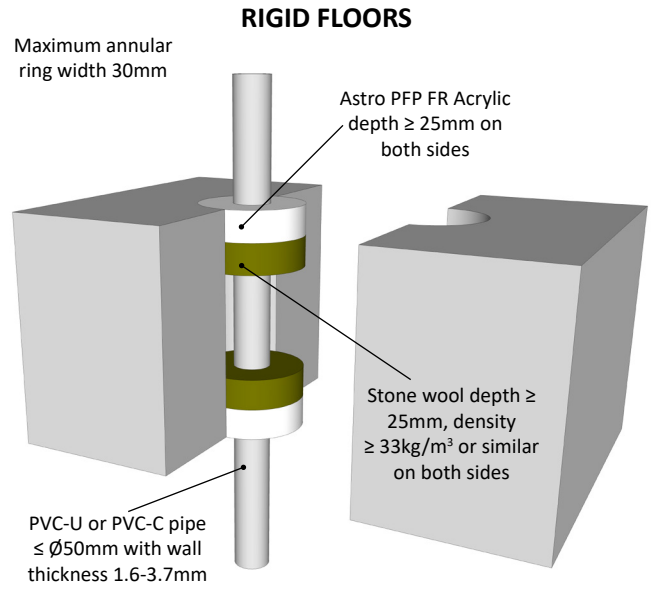
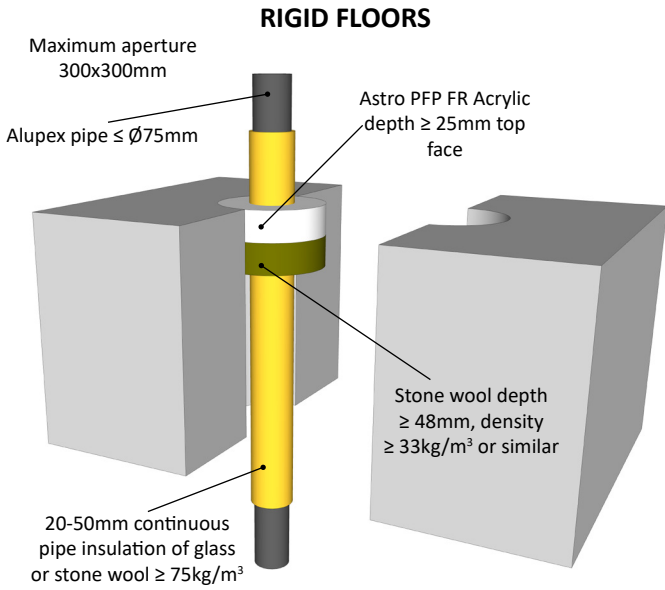
ALUPEX PIPE FIRE RESISTANCE EI 120 C/C (E 120 C/C)

ALUPEX PIPE FIRE RESISTANCE EI 90 C/C (E 120 C/C)



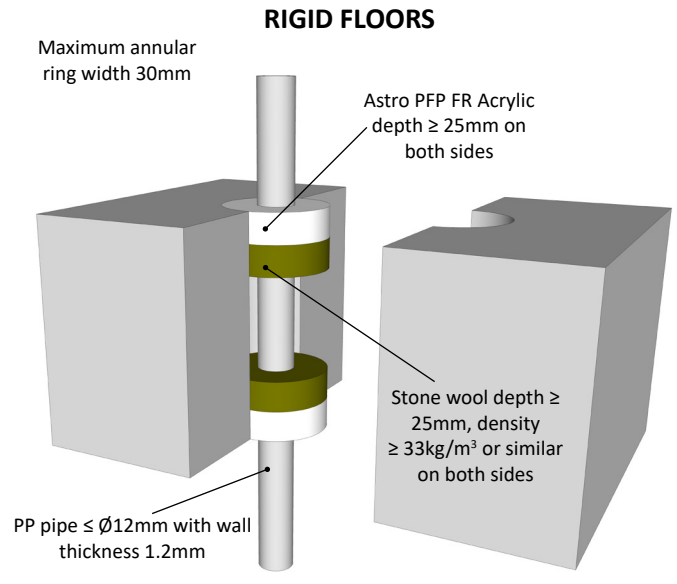
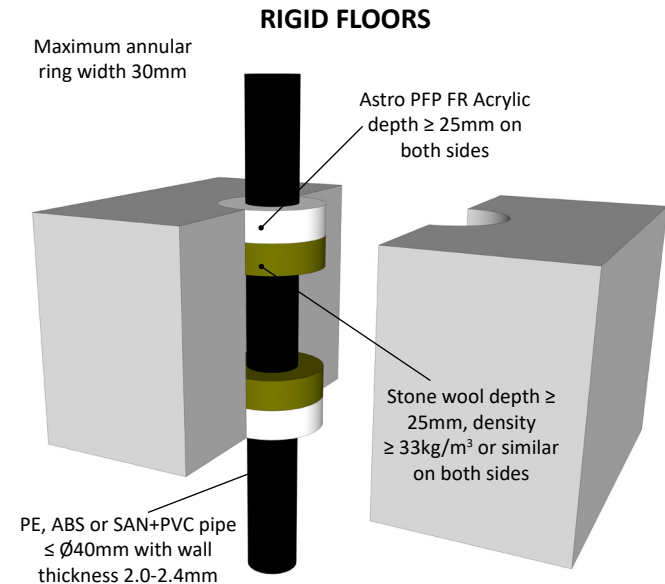
INSULATED ALUPEX PIPE FIRE RESISTANCE EI 120 C/C (E 180)

PVC PLASTIC PIPE FIRE RESISTANCE EI 240 U/C (E 240 U/C)



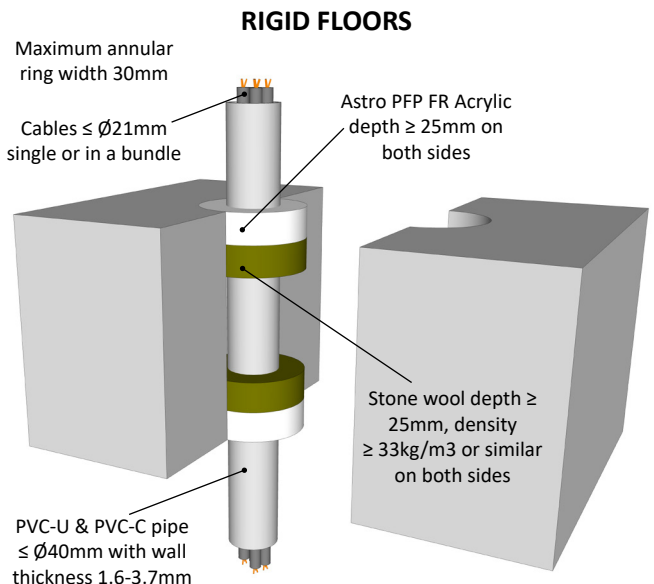
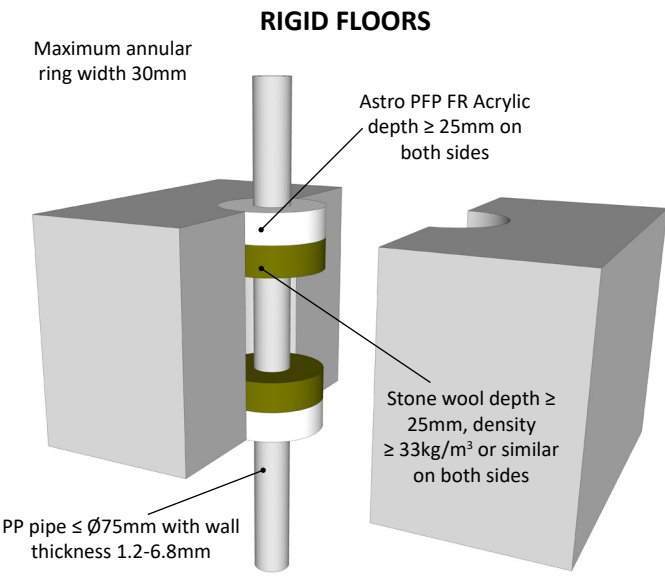
PE PLASTIC PIPE FIRE RESISTANCE EI 240 U/C (E 240 U/C)

PP PLASTIC PIPE FIRE RESISTANCE EI 240 U/C (E 240 U/C)



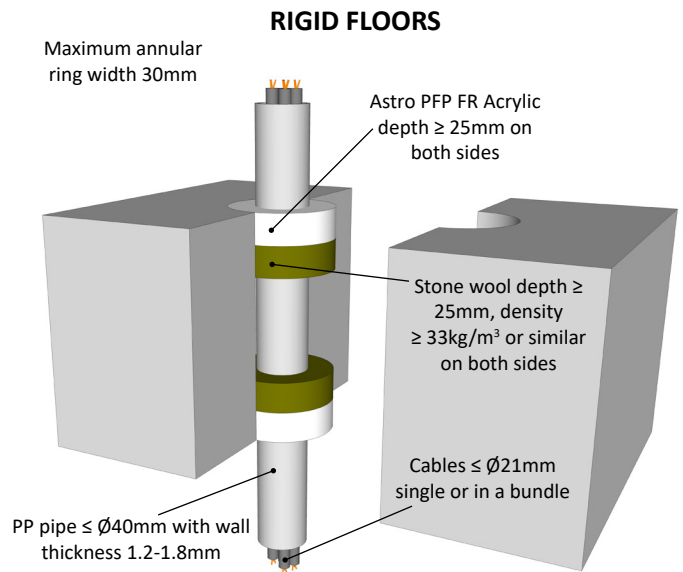
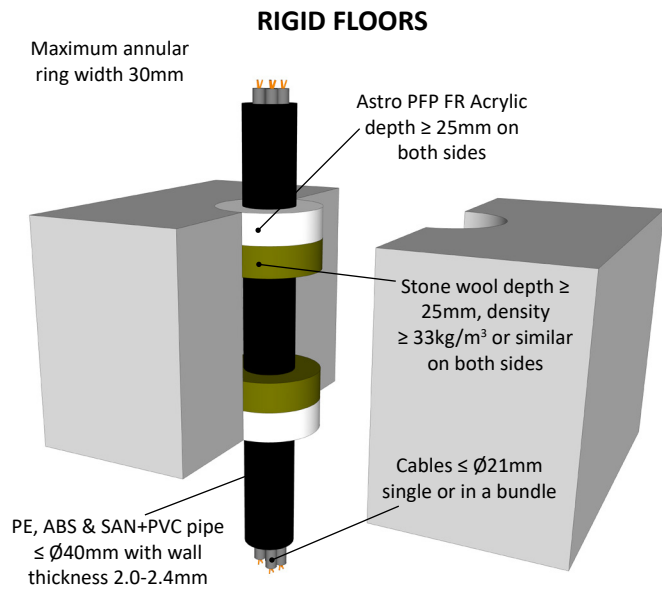
PP PLASTIC PIPE FIRE RESISTANCE EI 90 U/C (E 90 U/C)

PVC CONDUIT FIRE RESISTANCE EI 240 U/C (E 240 U/C)



PE CONDUIT FIRE RESISTANCE EI 180 U/C (E 180 U/C)

PP CONDUIT FIRE RESISTANCE EI 180 U/C (E 180 U/C)



HORIZONTAL LINEAR SEALS FIRE RESISTANCE EI 60 (E 240)

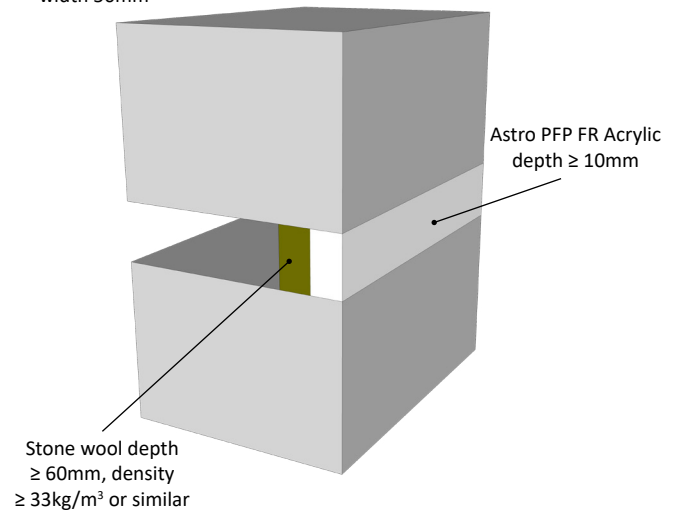
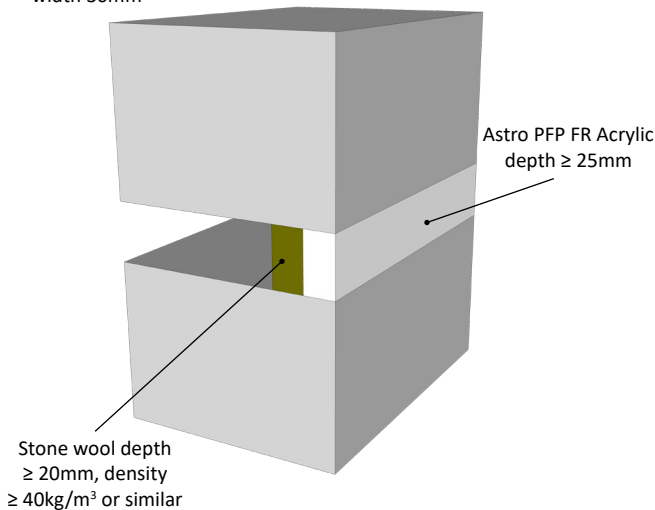
HORIZONTAL LINEAR SEALS FIRE RESISTANCE EI 60 (E 240)

IN $\geq 150\text{MM}$ RIGID WALLS OR BETWEEN WALLS AND FLOORS

IN $\geq 150\text{MM}$ RIGID WALLS OR BETWEEN WALLS AND FLOORS

Maximum seal width 30mm

Maximum seal width 50mm



VERTICAL LINEAR SEALS FIRE RESISTANCE EI 120 (E 120)

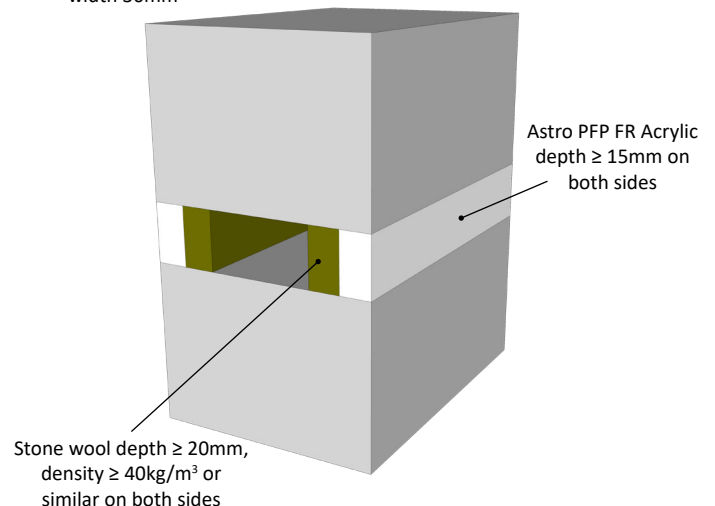
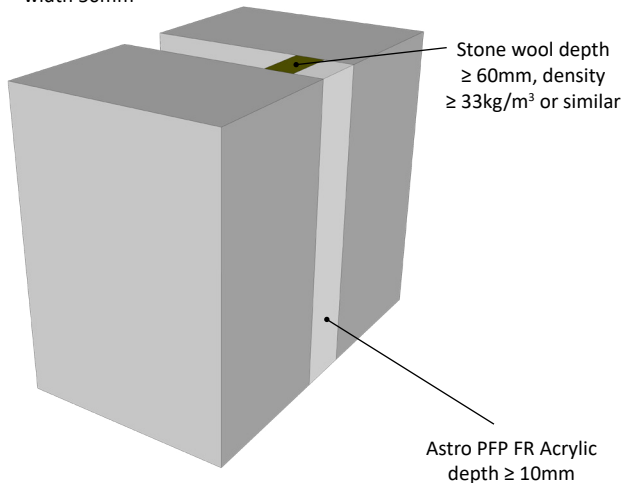
LINEAR SEALS FIRE RESISTANCE EI 240 (E 240)

IN $\geq 150\text{MM}$ RIGID WALLS OR BETWEEN WALLS

IN $\geq 150\text{MM}$ RIGID WALLS OR BETWEEN WALLS AND FLOORS

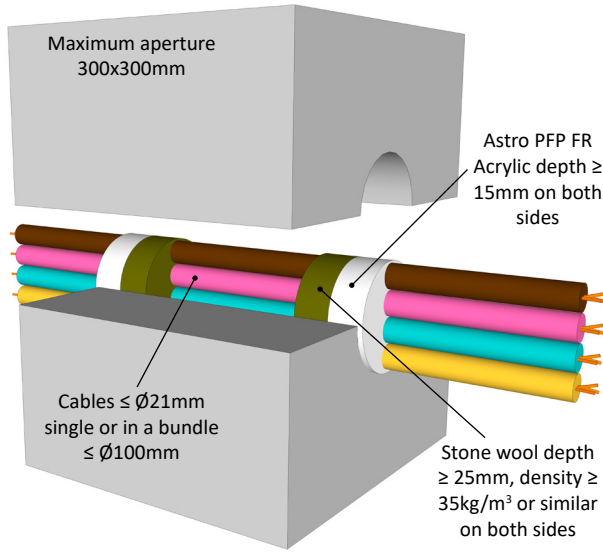
Maximum seal width 50mm

Maximum seal width 30mm



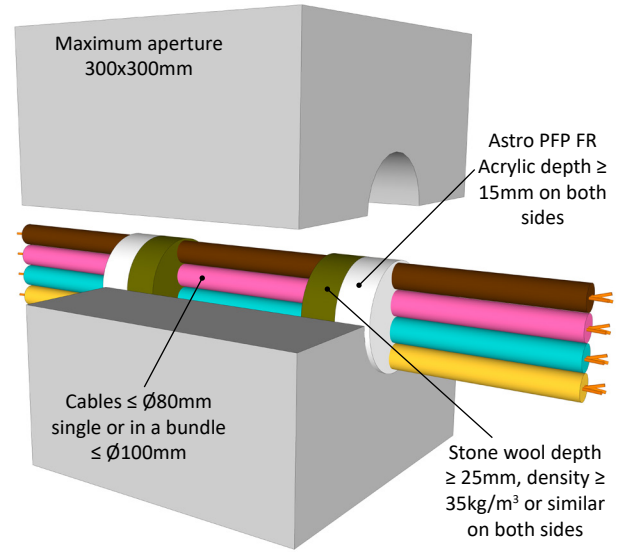
CABLES FIRE RESISTANCE EI 120 (E 240)

≥ 150MM MASONRY OR CONCRETE WALLS



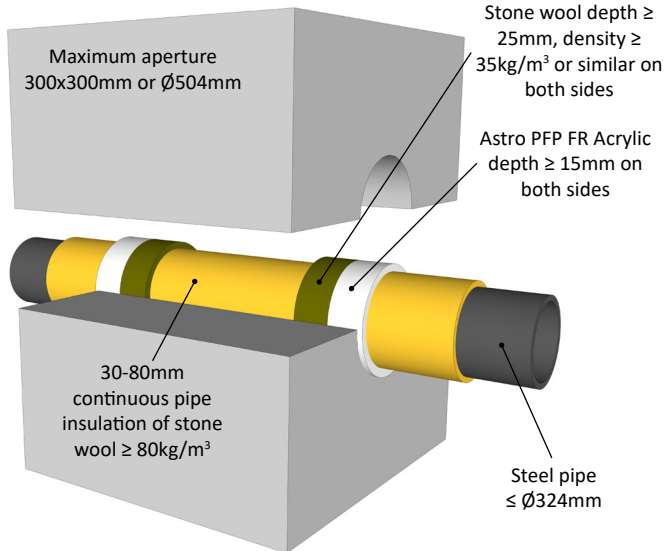
CABLES FIRE RESISTANCE EI 60 (E 120)

≥ 150MM MASONRY OR CONCRETE WALLS



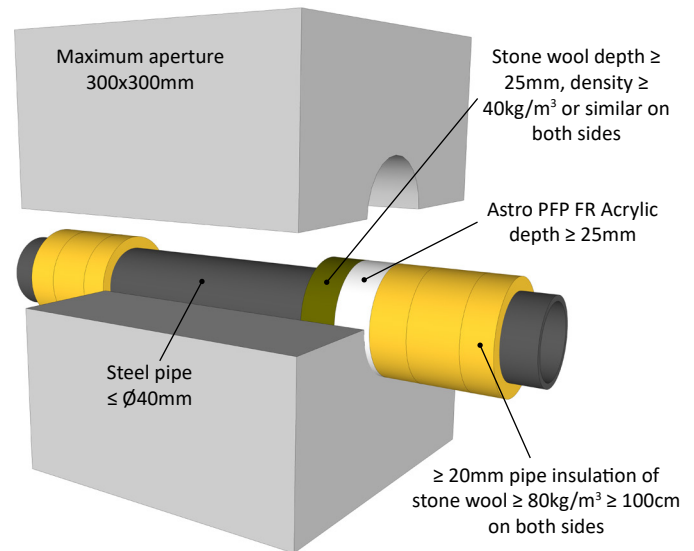
INSULATED STEEL PIPE FIRE RESISTANCE EI 240 C/U (E 240)

≥ 150MM MASONRY OR CONCRETE WALLS



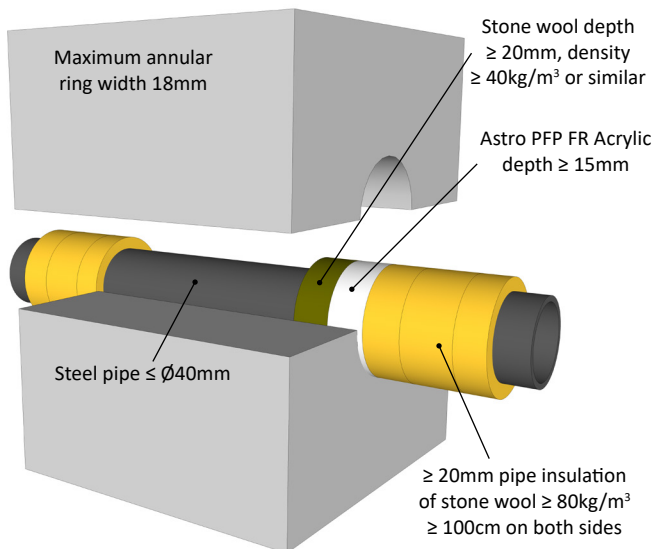
STEEL PIPE FIRE RESISTANCE EI 60 C/U (E 240 C/U)

≥ 150MM MASONRY OR CONCRETE WALLS



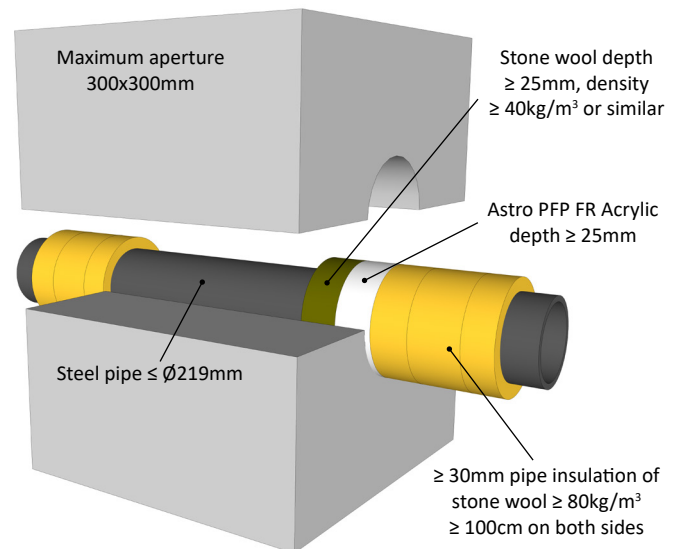
STEEL PIPE FIRE RESISTANCE EI 240 C/U (E 240 C/U)

≥ 150MM MASONRY OR CONCRETE WALLS



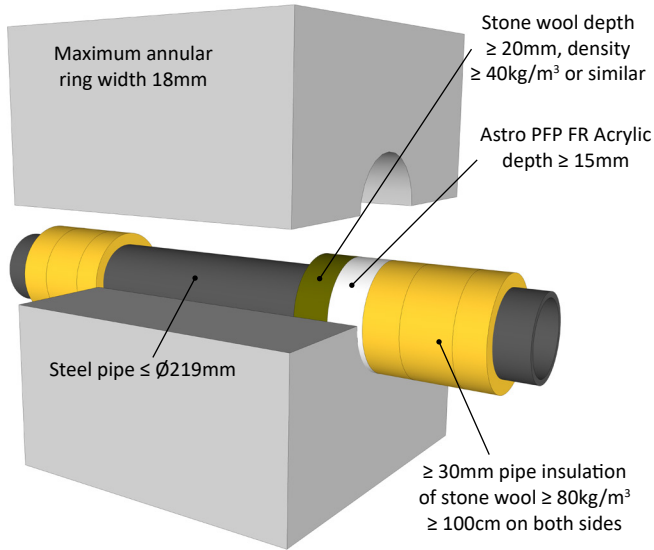
STEEL PIPE FIRE RESISTANCE EI 60 C/U (E 240 C/U)

≥ 150MM MASONRY OR CONCRETE WALLS



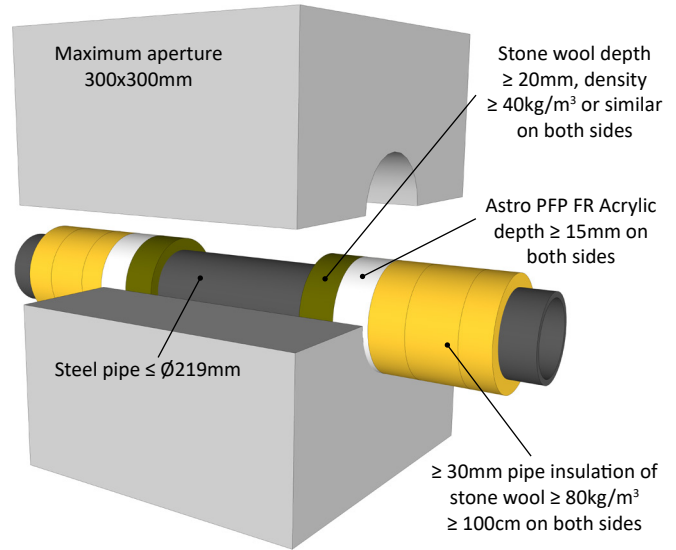
STEEL PIPE FIRE RESISTANCE EI 90 C/U (E 180 C/U)

≥ 150MM MASONRY OR CONCRETE WALLS



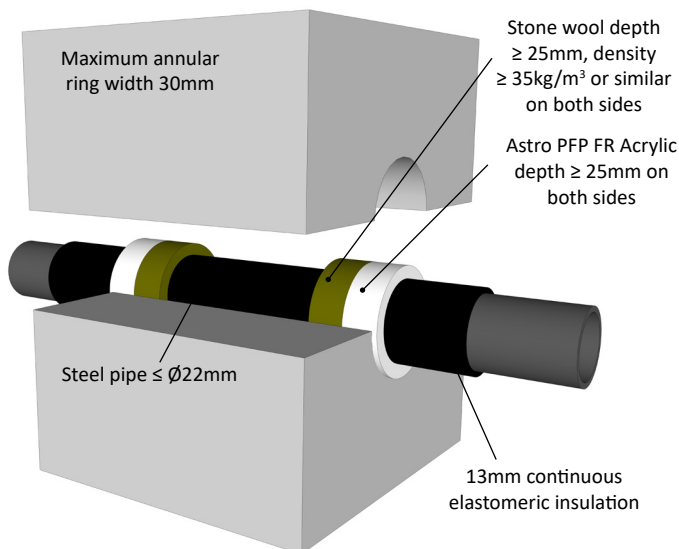
STEEL PIPE FIRE RESISTANCE EI 120 C/U (E 240 C/U)

≥ 150MM MASONRY OR CONCRETE WALLS



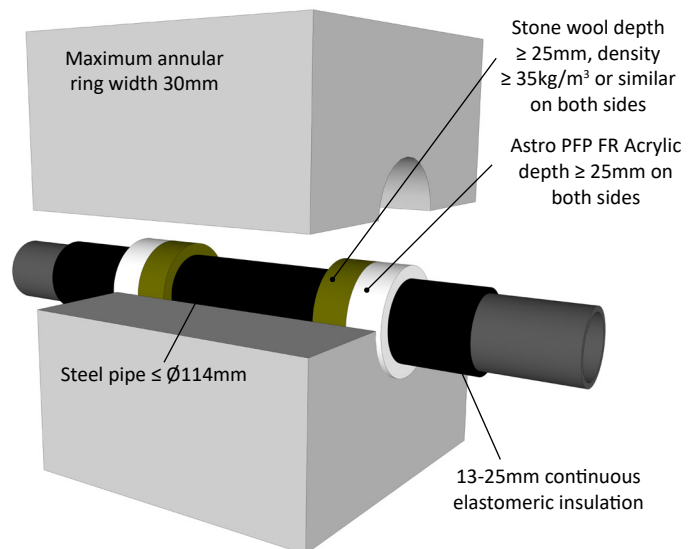
STEEL PIPE FIRE RESISTANCE EI 180 C/U (E 240 C/U)

≥ 150MM MASONRY OR CONCRETE WALLS



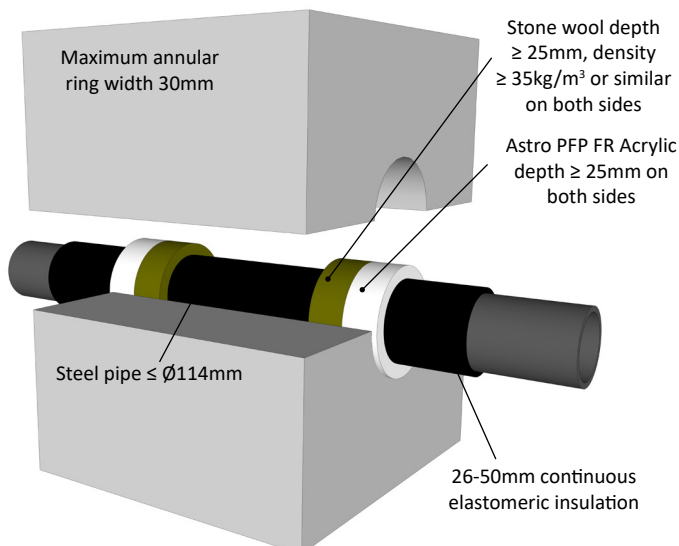
STEEL PIPE FIRE RESISTANCE EI 90 C/U (E 120 C/U)

≥ 150MM MASONRY OR CONCRETE WALLS



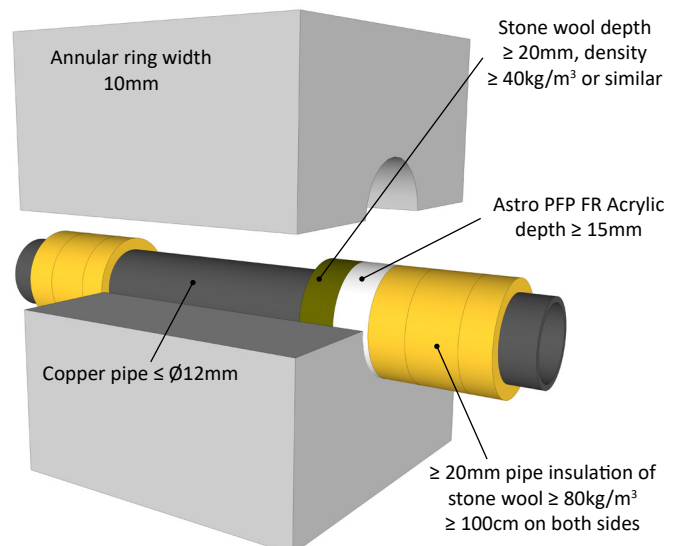
STEEL PIPE FIRE RESISTANCE EI 60 C/U (E 60 C/U)

≥ 150MM MASONRY OR CONCRETE WALLS



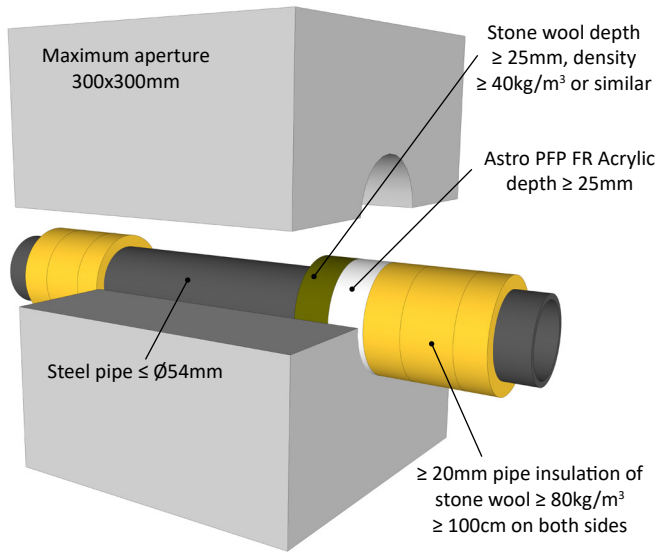
COPPER PIPE FIRE RESISTANCE EI 240 C/U (E 240 C/U)

≥ 150MM MASONRY OR CONCRETE WALLS



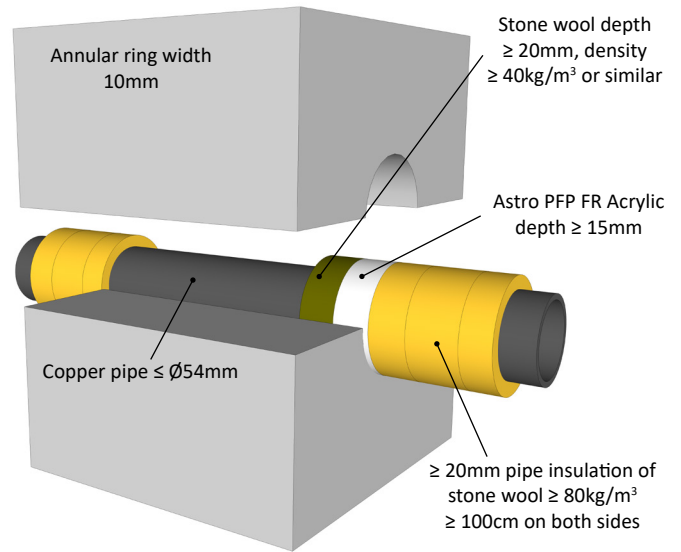
COPPER PIPE FIRE RESISTANCE EI 60 C/U (E 240 C/U)

≥ 150MM MASONRY OR CONCRETE WALLS



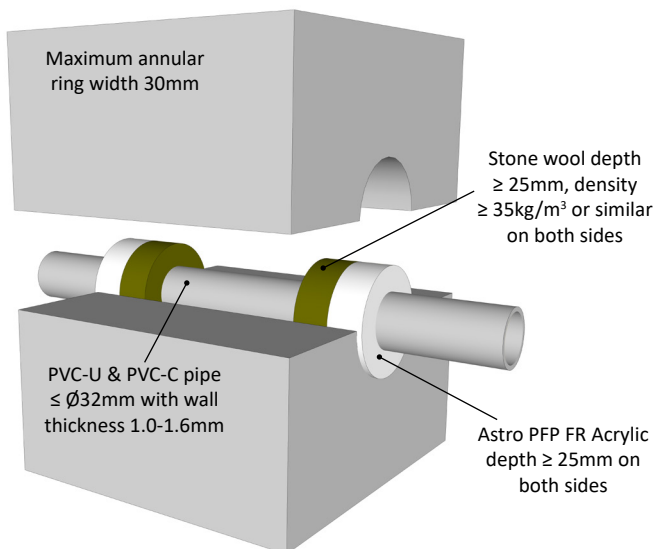
COPPER PIPE FIRE RESISTANCE EI 180 C/U (E 240 C/U)

≥ 150MM MASONRY OR CONCRETE WALLS



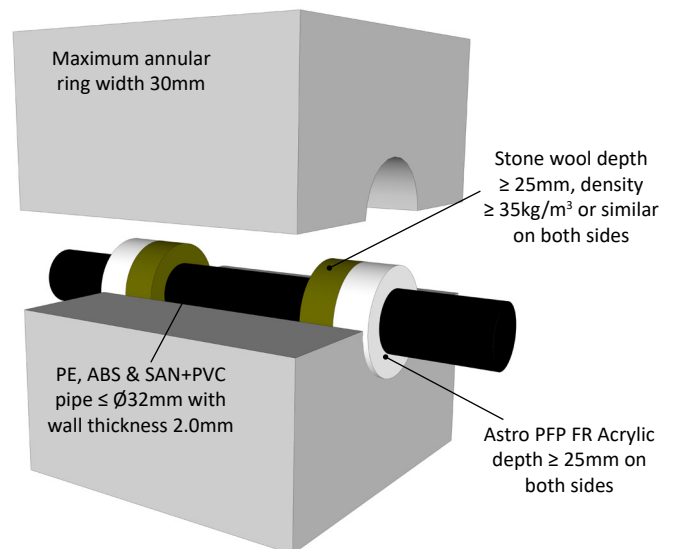
PVC PLASTIC PIPE FIRE RESISTANCE EI 240 U/C (E 240 U/C)

≥ 150MM MASONRY OR CONCRETE WALLS



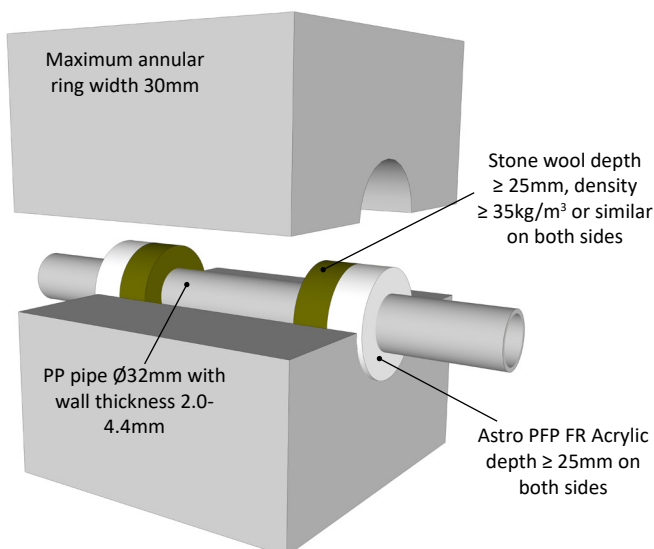
PE PLASTIC PIPE FIRE RESISTANCE EI 240 C/U (E 240 C/U)

≥ 150MM MASONRY OR CONCRETE WALLS



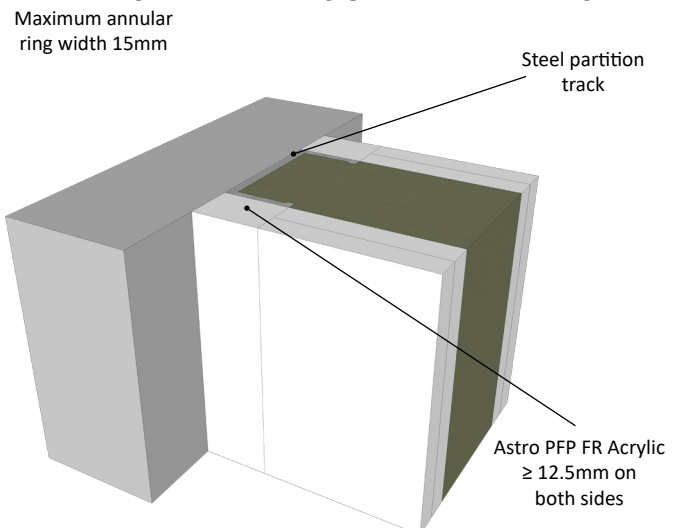
PP PLASTIC PIPE FIRE RESISTANCE EI 180 C/U (E 180 C/U)

≥ 150MM MASONRY OR CONCRETE WALLS



VERTICAL LINEAR SEALS FIRE RESISTANCE EI 45 (E 60)

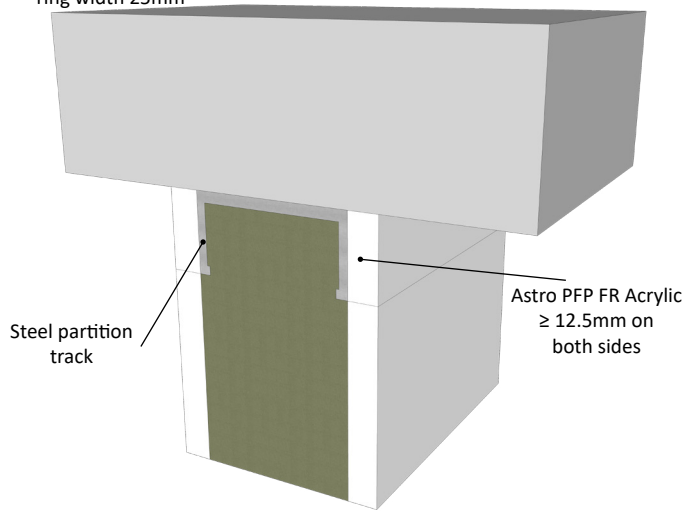
IN ≥ 75MM DRYWALLS OR BETWEEN WALLS



HORIZONTAL LINEAR SEALS FIRE RESISTANCE EI 45 (E 60)

BETWEEN ≥ 75 MM DRYWALLS AND FLOORS

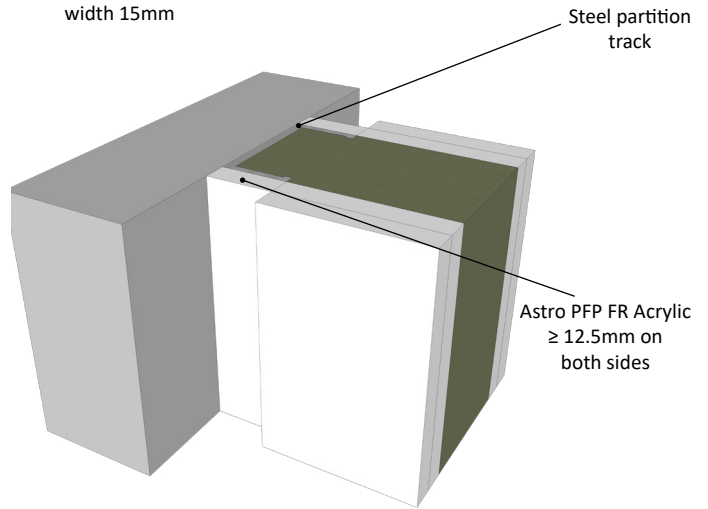
Maximum annular ring width 25mm



VERTICAL LINEAR SEALS FIRE RESISTANCE EI 90 (E 90)

IN ≥ 100 MM DRYWALLS OR BETWEEN WALLS

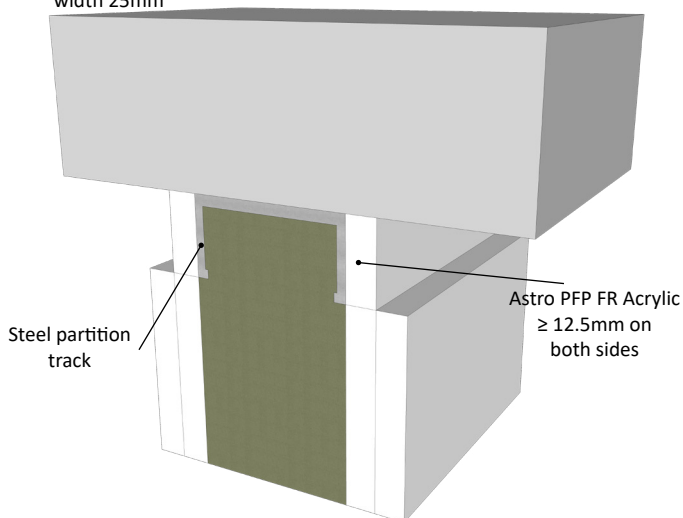
Maximum seal width 15mm



HORIZONTAL LINEAR SEALS FIRE RESISTANCE EI 90 (E 90)

BETWEEN ≥ 100 MM DRYWALLS AND FLOORS

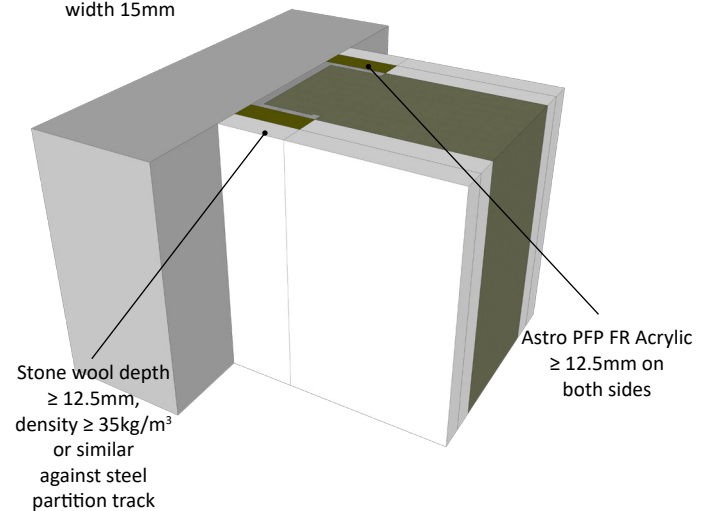
Maximum seal width 25mm



VERTICAL LINEAR SEALS FIRE RESISTANCE EI 90 (E 90)

IN ≥ 100 MM DRYWALLS OR BETWEEN WALLS

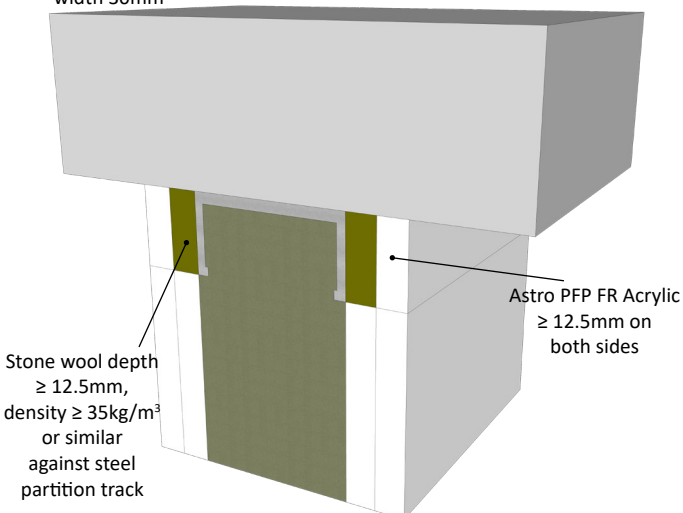
Maximum seal width 15mm



HORIZONTAL LINEAR SEALS FIRE RESISTANCE EI 120 (E 120)

BETWEEN ≥ 100 MM DRYWALLS AND FLOORS

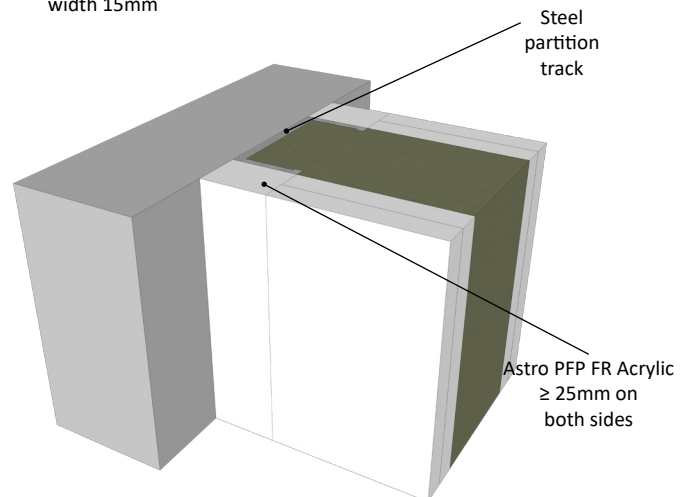
Maximum seal width 30mm



VERTICAL LINEAR SEALS FIRE RESISTANCE EI 90 (E 90)

IN ≥ 100 MM DRYWALLS OR BETWEEN WALLS

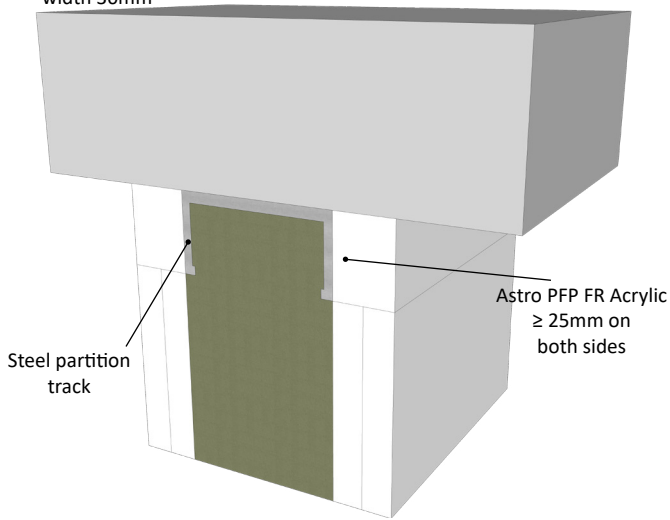
Maximum seal width 15mm



HORIZONTAL LINEAR SEALS FIRE RESISTANCE EI 120 (E 120)

BETWEEN ≥ 100MM DRYWALLS AND FLOORS

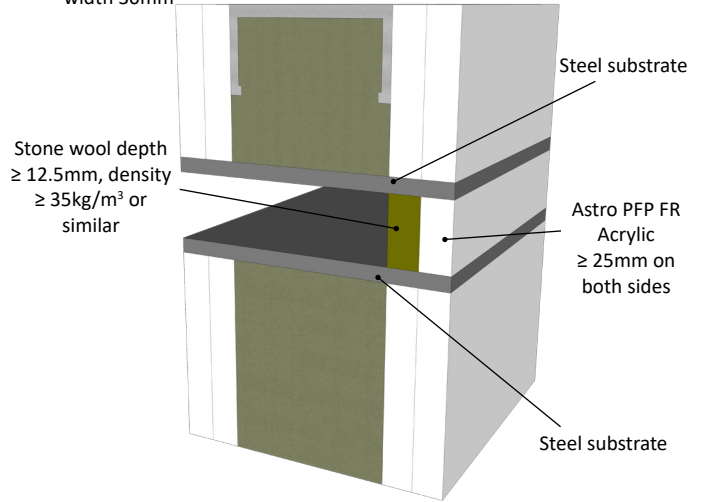
Maximum seal width 30mm



LINEAR SEALS FIRE RESISTANCE EI 30 (E 120)

IN ≥ 100MM DRYWALLS, MASONRY OR CONCRETE WALLS

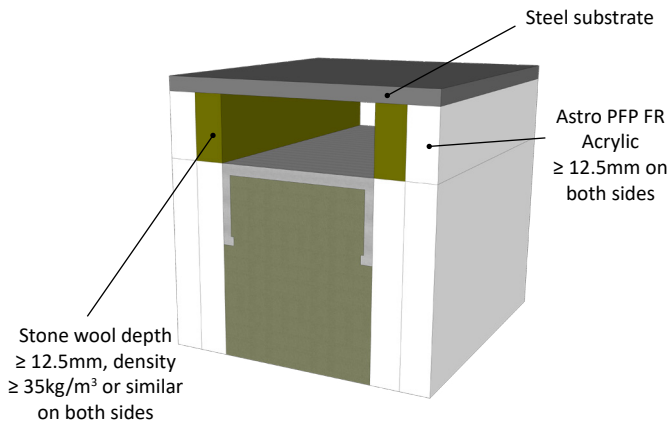
Maximum seal width 30mm



LINEAR SEALS FIRE RESISTANCE EI 45 (E 120)

IN ≥ 100MM DRYWALLS, MASONRY OR CONCRETE WALLS

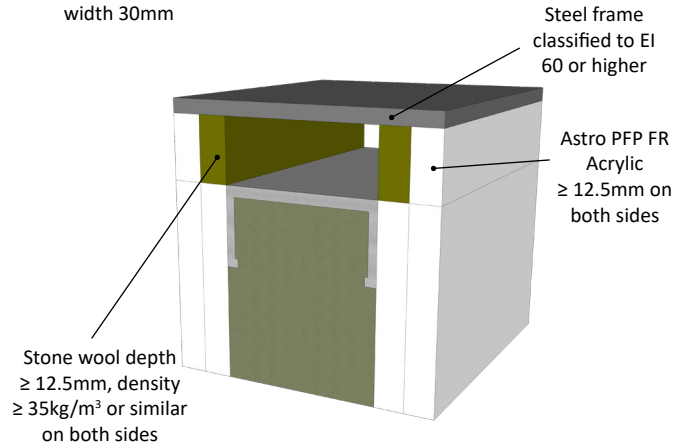
Maximum seal width 30mm



LINEAR SEALS FIRE RESISTANCE EI 60 (E 120)

IN ≥ 100MM DRYWALLS, MASONRY OR CONCRETE WALLS

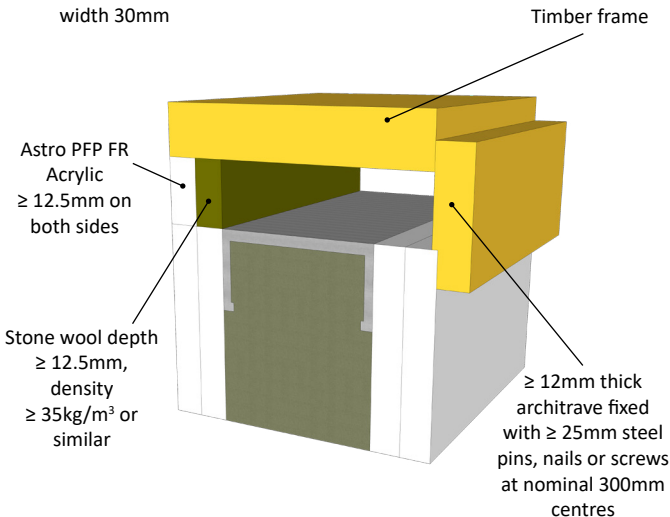
Maximum seal width 30mm



LINEAR SEALS FIRE RESISTANCE EI 60 (E 60)

IN ≥ 100MM DRYWALLS, MASONRY OR CONCRETE WALLS

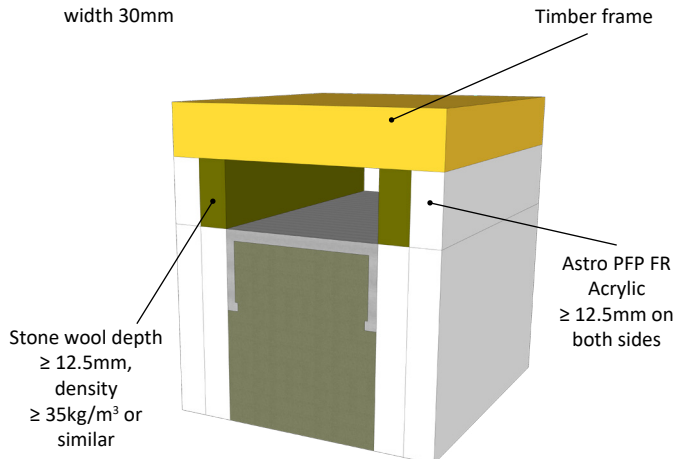
Maximum seal width 30mm



LINEAR SEALS FIRE RESISTANCE EI 60 (E 90)

IN ≥ 100MM DRYWALLS, MASONRY OR CONCRETE WALLS

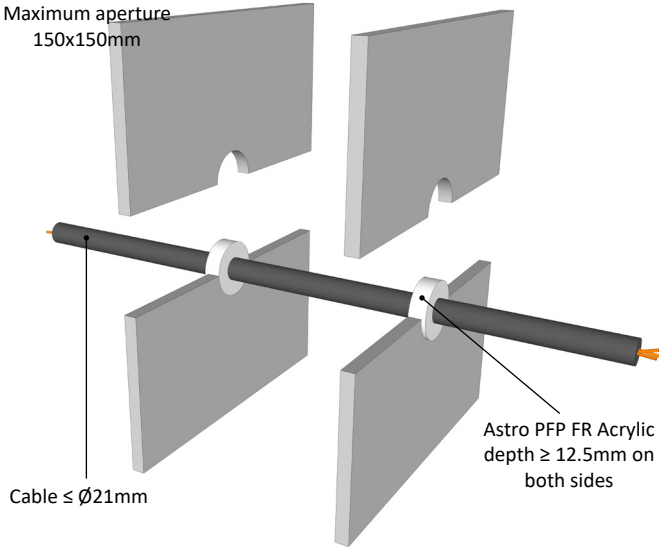
Maximum seal width 30mm



CABLE FIRE RESISTANCE EI 45 (E 60)

≥ 75MM DRYWALLS, MASONRY OR CONCRETE WALLS

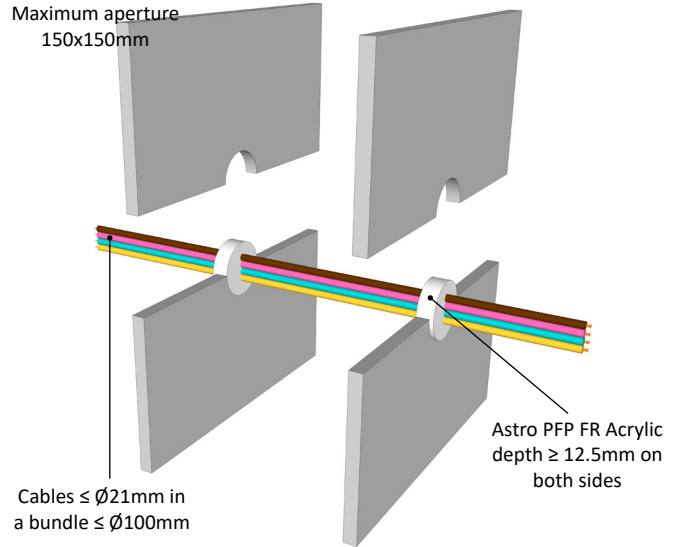
Maximum aperture
150x150mm



CABLES FIRE RESISTANCE EI 30 (E 45)

≥ 75MM DRYWALLS, MASONRY OR CONCRETE WALLS

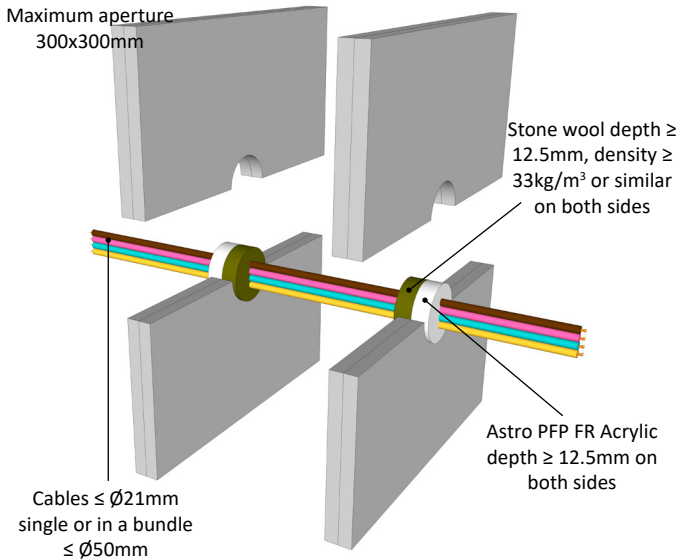
Maximum aperture
150x150mm



CABLES FIRE RESISTANCE EI 90 (E 120)

≥ 100MM DRYWALLS, MASONRY OR CONCRETE WALLS

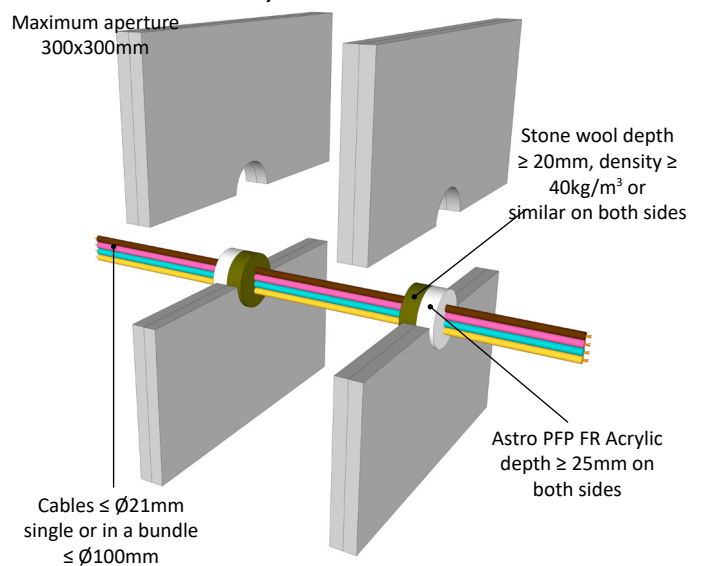
Maximum aperture
300x300mm



CABLES FIRE RESISTANCE EI 120 (E 120)

≥ 100MM DRYWALLS, MASONRY OR CONCRETE WALLS

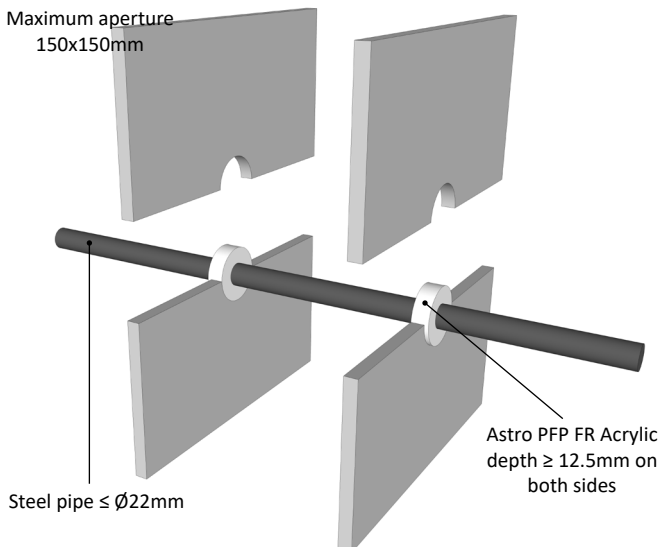
Maximum aperture
300x300mm



STEEL PIPE FIRE RESISTANCE EI 30 C/U (E 60 C/U)

≥ 75MM DRYWALLS, MASONRY OR CONCRETE WALLS

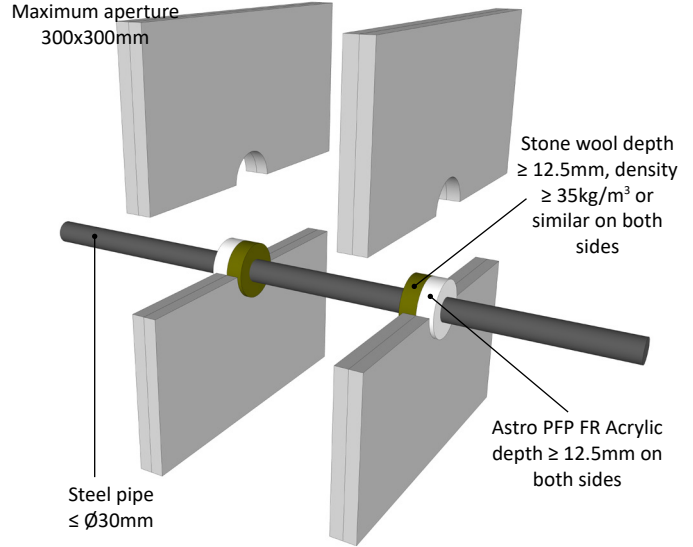
Maximum aperture
150x150mm



STEEL PIPE FIRE RESISTANCE EI 90 C/C (E 90 C/C)

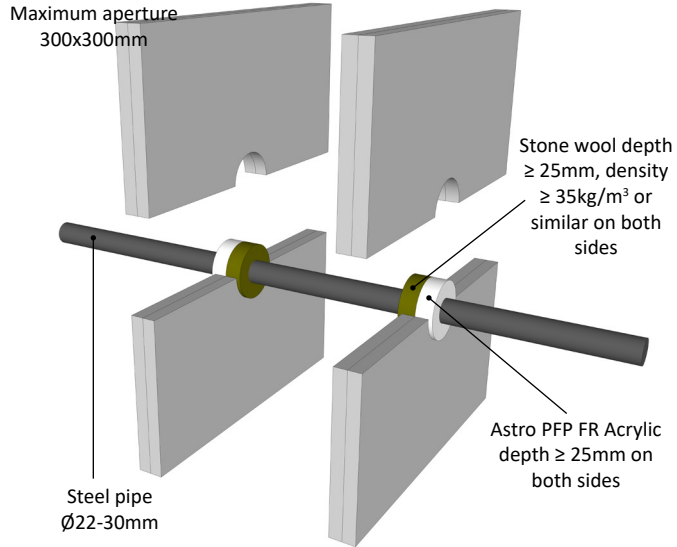
≥ 100MM DRYWALLS, MASONRY OR CONCRETE WALLS

Maximum aperture
300x300mm



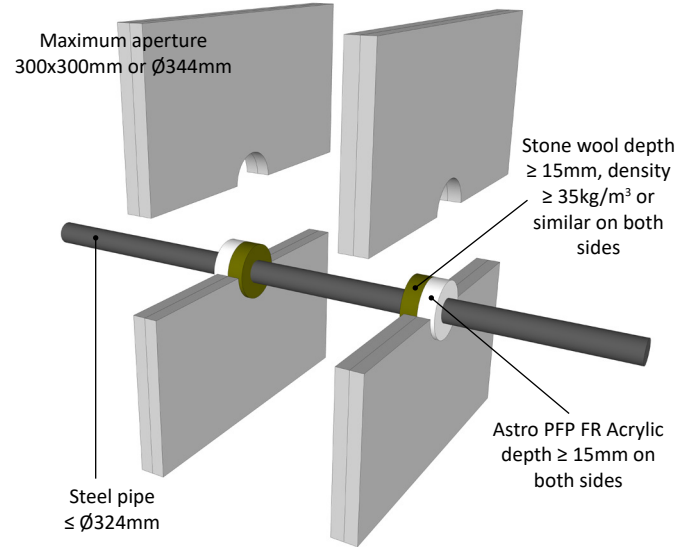
STEEL PIPE FIRE RESISTANCE EI 120 C/C (E 120 C/C)

≥ 100MM DRYWALLS, MASONRY OR CONCRETE WALLS



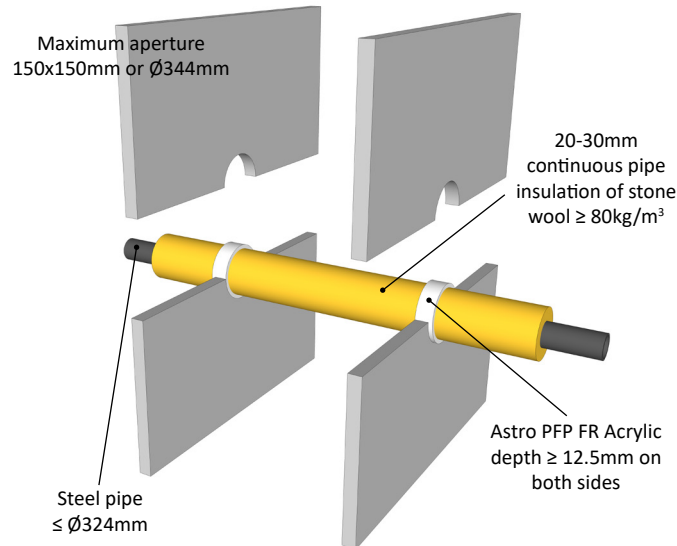
STEEL PIPE FIRE RESISTANCE E 120 C/U

≥ 120MM DRYWALLS, MASONRY OR CONCRETE WALLS



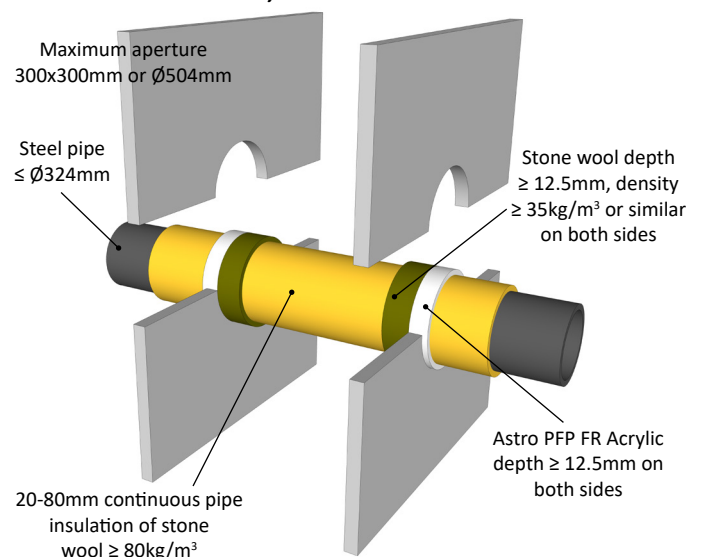
INSULATED STEEL PIPE FIRE RESISTANCE EI 45 C/U (E 60 C/U)

≥ 75MM DRYWALLS, MASONRY OR CONCRETE WALLS



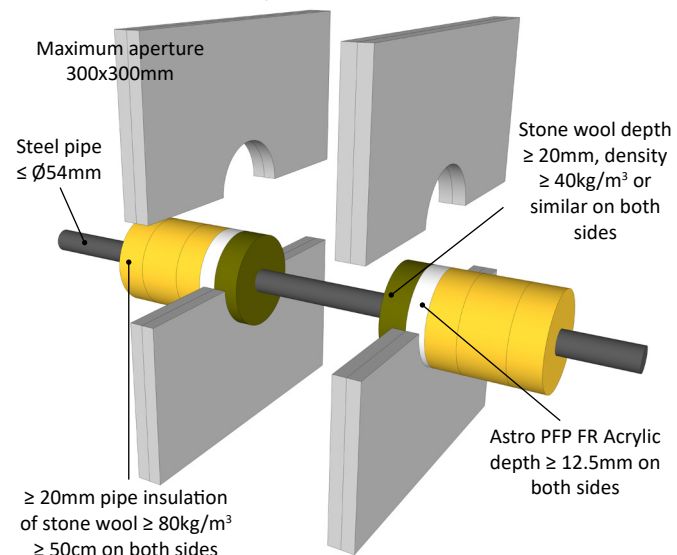
INSULATED STEEL PIPE FIRE RESISTANCE EI 90 C/U (E 120)

≥ 100MM DRYWALLS, MASONRY OR CONCRETE WALLS



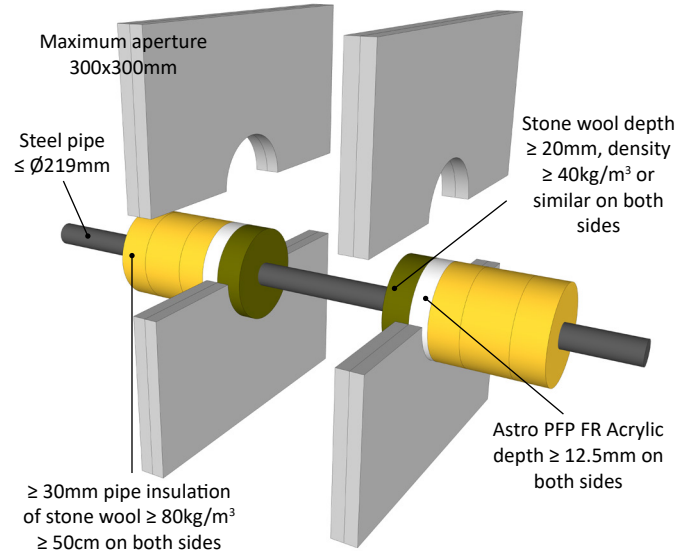
STEEL PIPE FIRE RESISTANCE EI 120 C/U (E 120 C/U)

≥ 100MM DRYWALLS, MASONRY OR CONCRETE WALLS



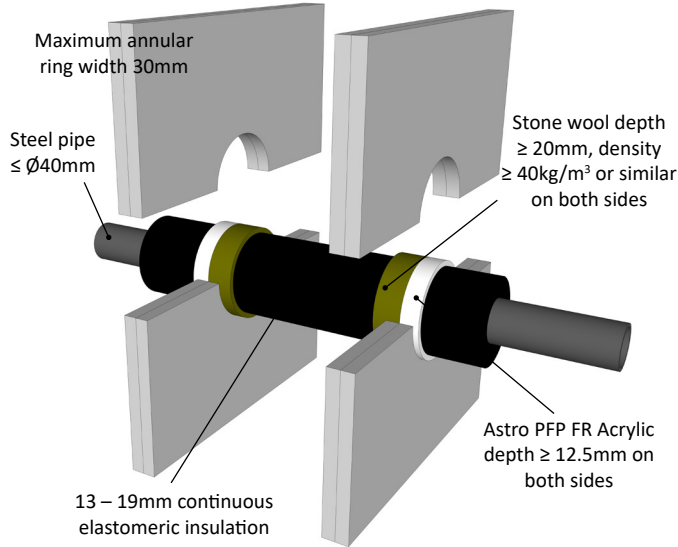
STEEL PIPE FIRE RESISTANCE EI 90 C/U (E 120 C/U)

≥ 100MM DRYWALLS, MASONRY OR CONCRETE WALLS



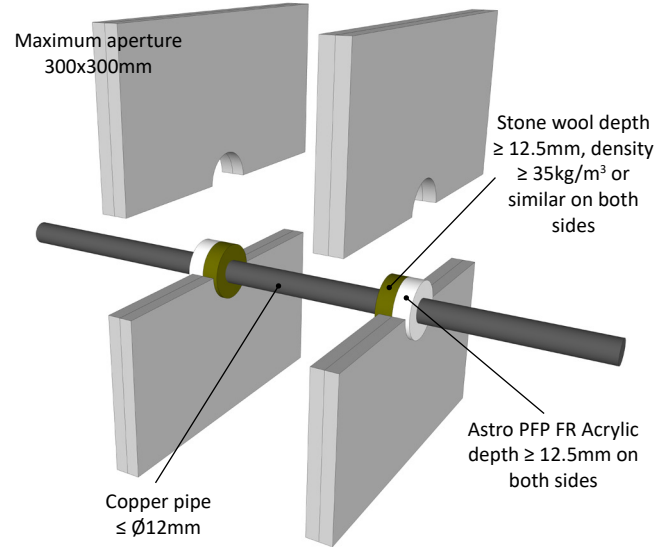
STEEL PIPE FIRE RESISTANCE EI 120 C/C (E 120 C/C)

≥ 100MM DRYWALLS, MASONRY OR CONCRETE WALLS



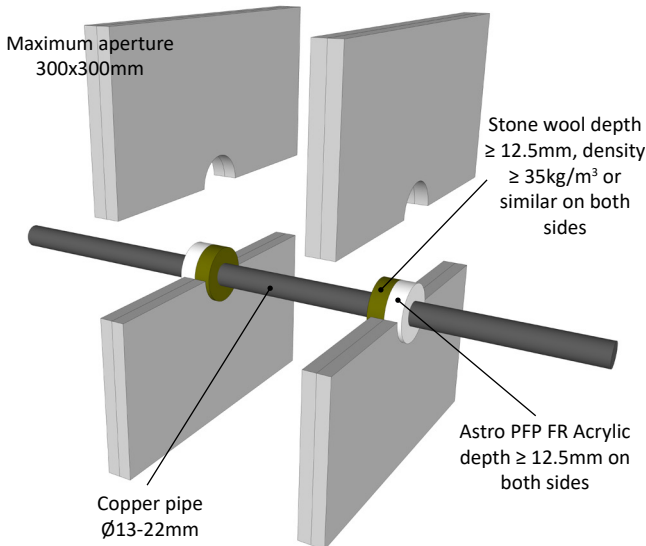
COPPER PIPE FIRE RESISTANCE EI 60 C/C (E 90 C/C)

≥ 100MM DRYWALLS, MASONRY OR CONCRETE WALLS



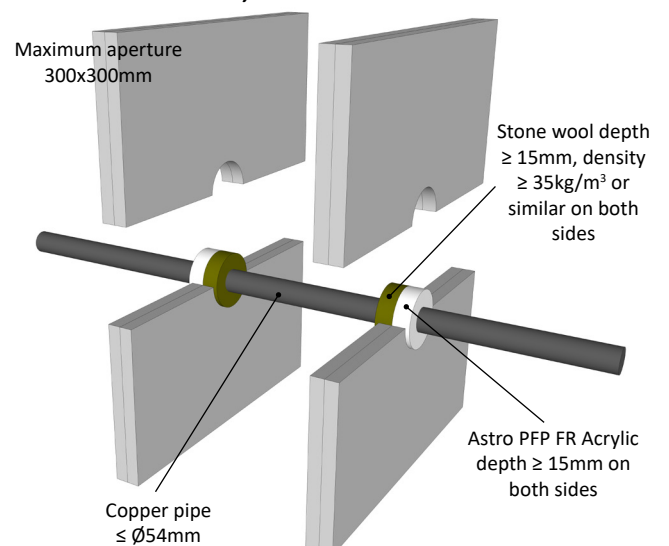
COPPER PIPE FIRE RESISTANCE EI 30 C/C (E 90 C/C)

≥ 100MM DRYWALLS, MASONRY OR CONCRETE WALLS



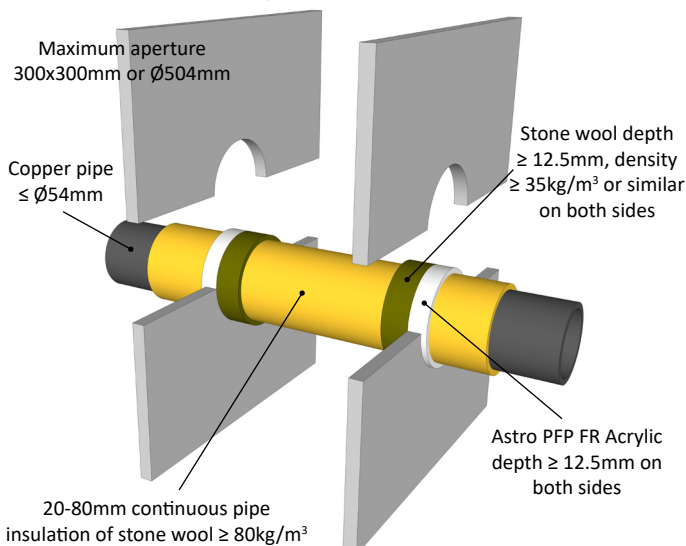
COPPER PIPE FIRE RESISTANCE E 120 C/C

≥ 120MM DRYWALLS, MASONRY OR CONCRETE WALLS



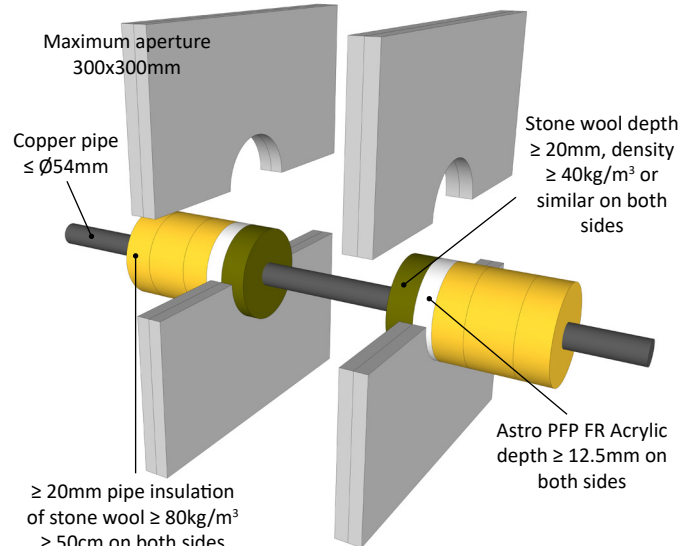
INSULATED COPPER PIPE FIRE RESISTANCE EI 60 C/C (E 120)

≥ 100MM DRYWALLS, MASONRY OR CONCRETE WALLS



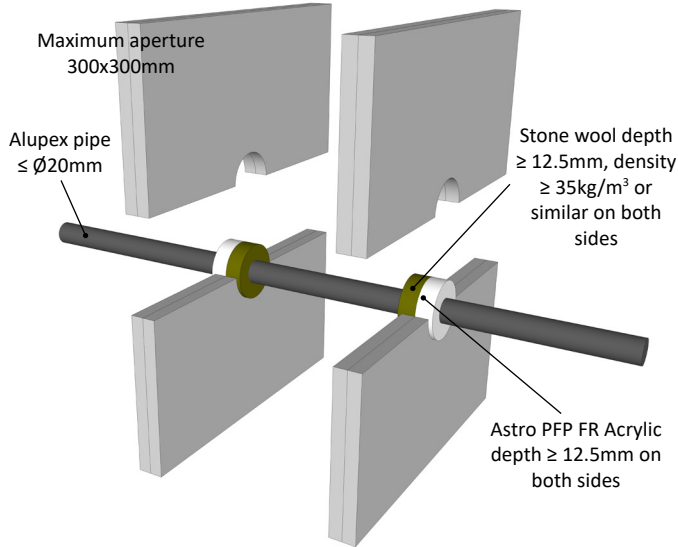
COPPER PIPE FIRE RESISTANCE EI 120 C/U (E 120 C/U)

≥ 100MM DRYWALLS, MASONRY OR CONCRETE WALLS



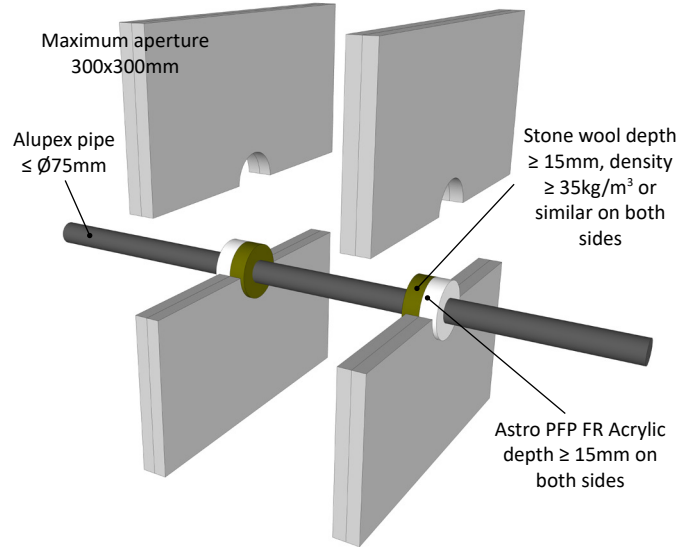
ALUPEX PIPE FIRE RESISTANCE EI 120 C/C (E 120 C/C)

≥ 100MM DRYWALLS, MASONRY OR CONCRETE WALLS



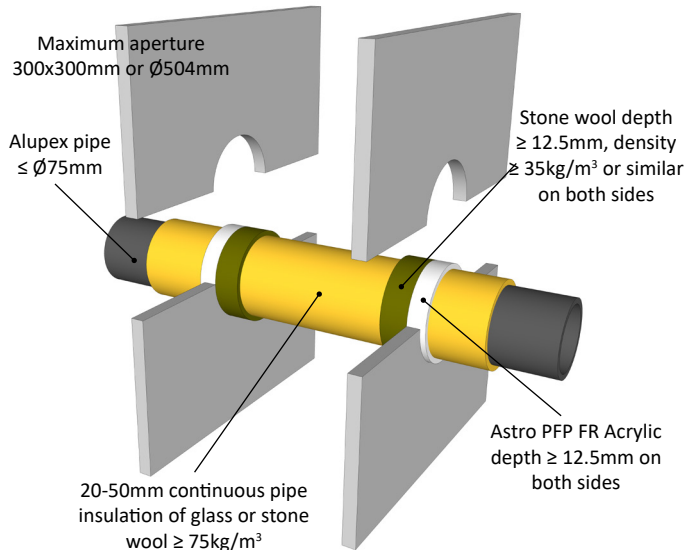
ALUPEX PIPE FIRE RESISTANCE EI 30 C/C (E 120 C/C)

≥ 120MM DRYWALLS, MASONRY OR CONCRETE WALLS



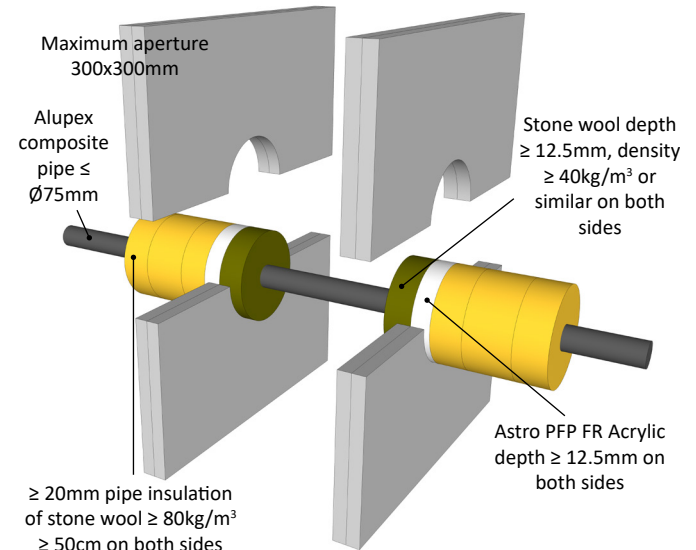
INSULATED ALUPEX PIPE FIRE RESISTANCE EI 120 C/C (E 120)

≥ 100MM DRYWALLS, MASONRY OR CONCRETE WALLS



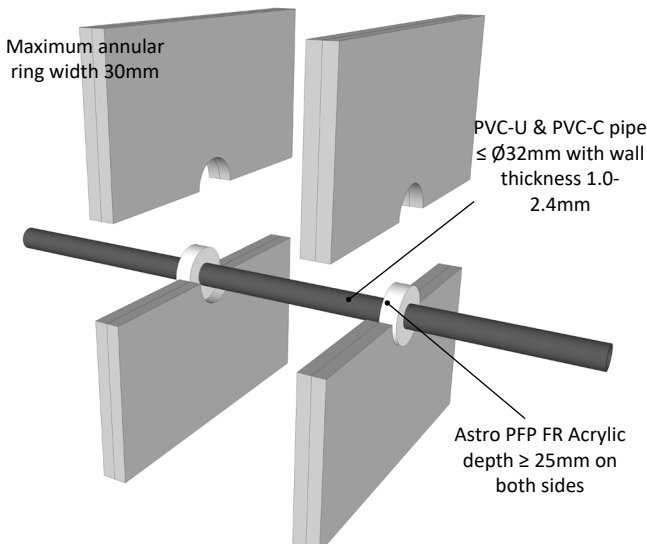
ALUPEX PIPE FIRE RESISTANCE EI 120 C/C (E 120 C/C)

≥ 100MM DRYWALLS, MASONRY OR CONCRETE WALLS



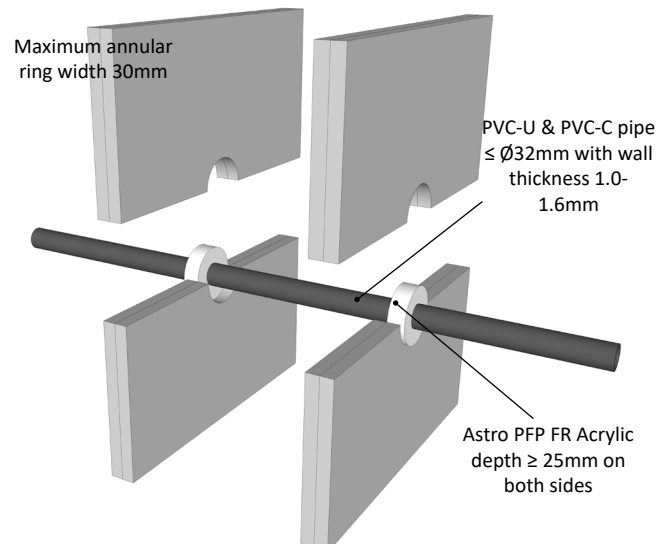
PVC PLASTIC PIPE FIRE RESISTANCE EI 90 U/C (E 120 U/C)

≥ 100MM DRYWALLS, MASONRY OR CONCRETE WALLS



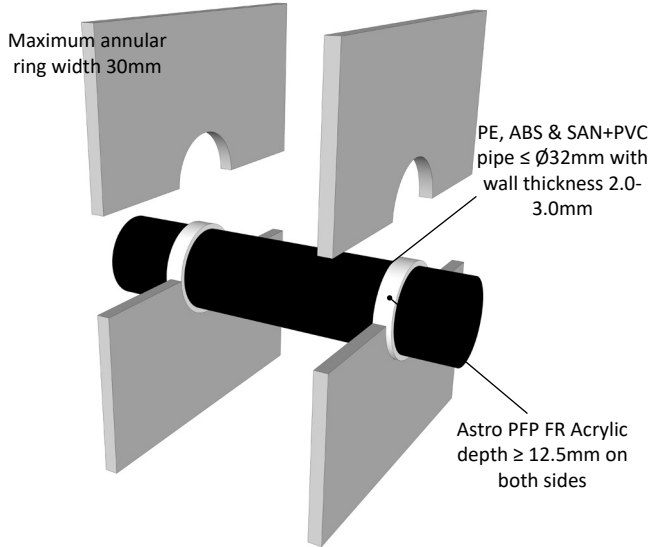
PVC PLASTIC PIPE FIRE RESISTANCE EI 120 C/C (E 120 C/C)

≥ 100MM DRYWALLS, MASONRY OR CONCRETE WALLS



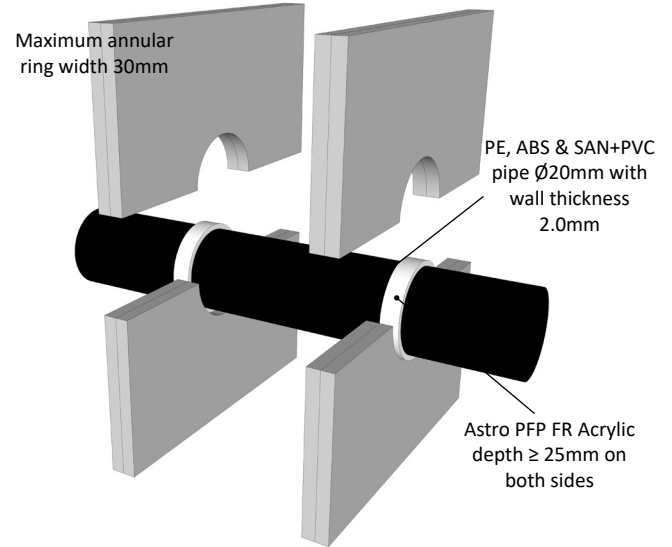
PE PLASTIC PIPE FIRE RESISTANCE EI 30 U/C (E 30 U/C)

≥ 75MM DRYWALLS, MASONRY OR CONCRETE WALLS



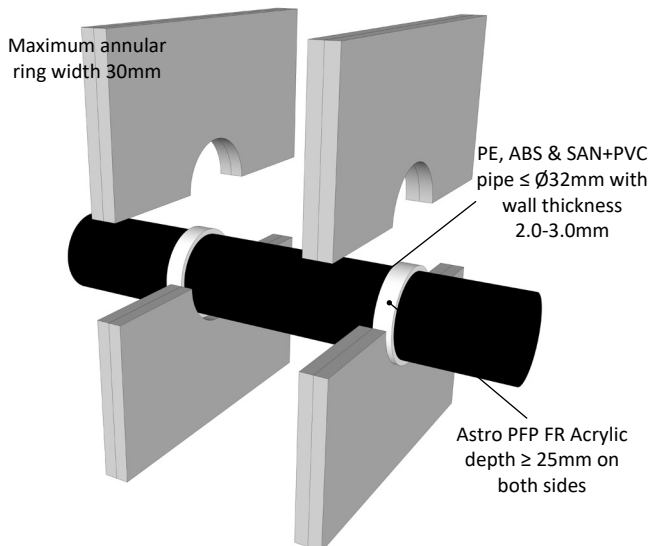
PE PLASTIC PIPE FIRE RESISTANCE EI 120 U/C (E 120 U/C)

≥ 100MM DRYWALLS, MASONRY OR CONCRETE WALLS



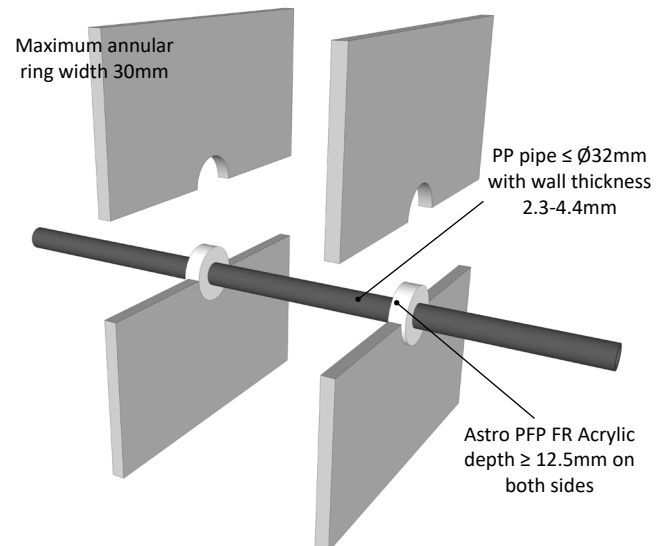
PE PLASTIC PIPE FIRE RESISTANCE EI 90 C/C (E 90 C/C)

≥ 100MM DRYWALLS, MASONRY OR CONCRETE WALLS



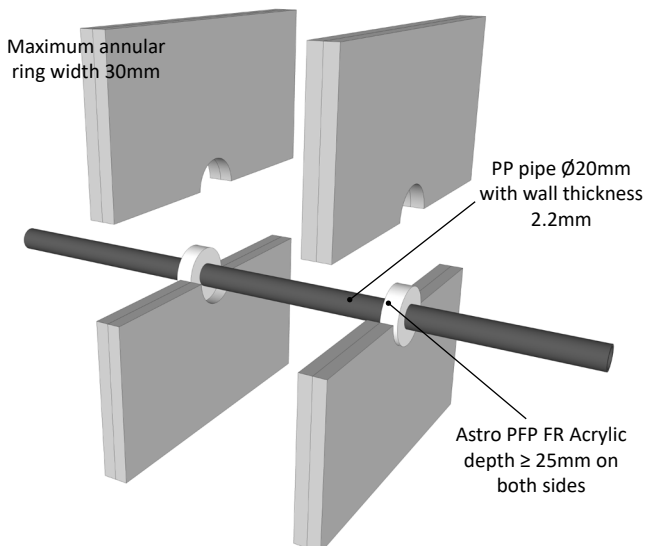
PP PLASTIC PIPE FIRE RESISTANCE EI 30 U/C (E 30 U/C)

≥ 75MM DRYWALLS, MASONRY OR CONCRETE WALLS



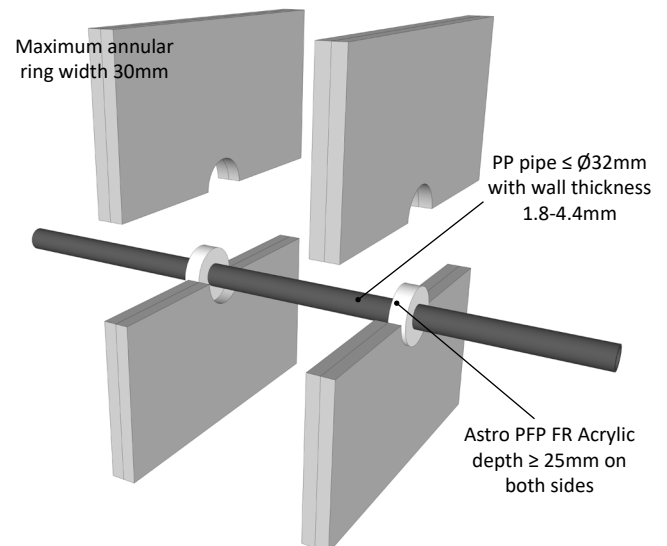
PP PLASTIC PIPE FIRE RESISTANCE EI 120 U/C (E 120 U/C)

≥ 100MM DRYWALLS, MASONRY OR CONCRETE WALLS



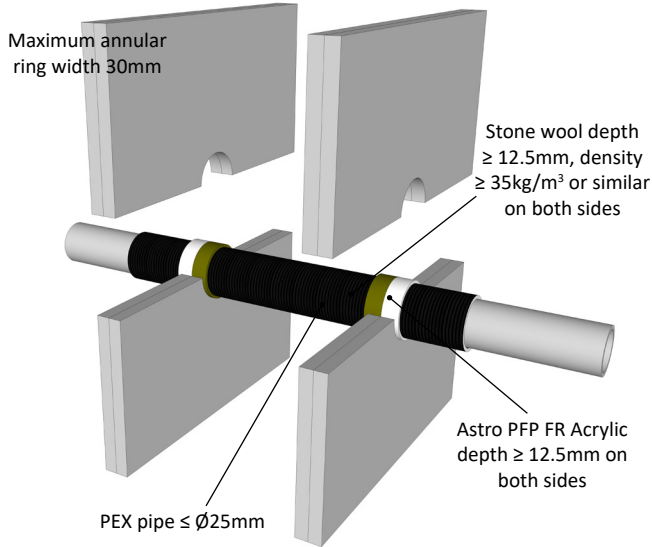
PP PLASTIC PIPE FIRE RESISTANCE EI 60 C/C (E 60 C/C)

≥ 100MM DRYWALLS, MASONRY OR CONCRETE WALLS



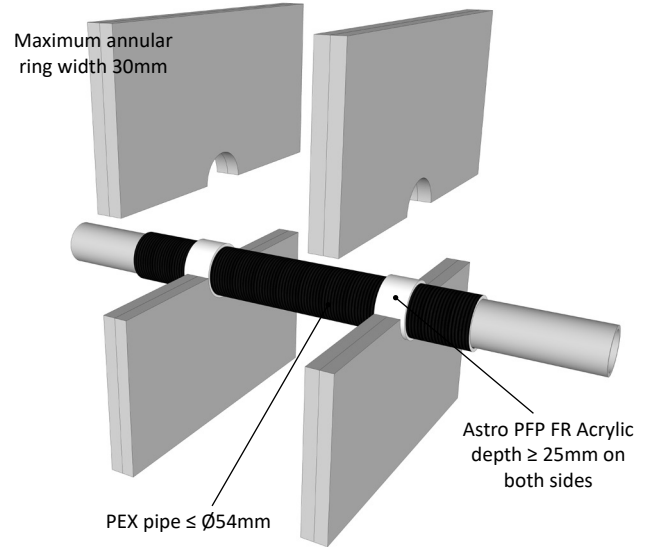
PEX PIPE-IN-PIPE SYSTEM FIRE RESISTANCE EI 120 C/C (E 120)

≥ 100MM DRYWALLS, MASONRY OR CONCRETE WALLS



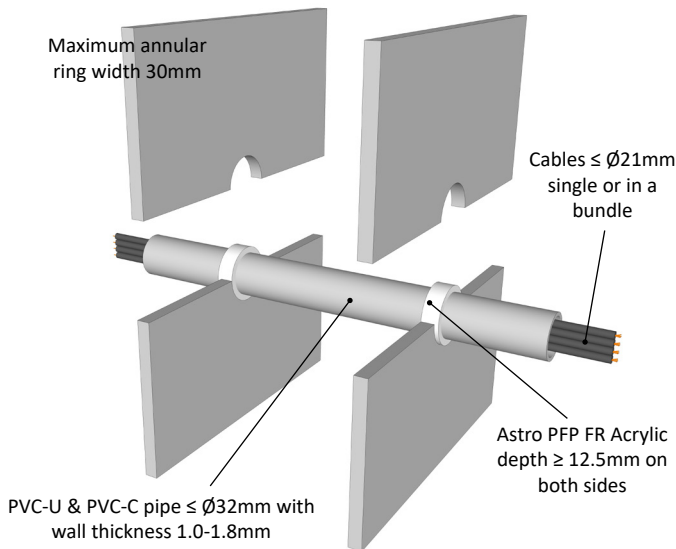
PEX PIPE-IN-PIPE SYSTEM FIRE RESISTANCE EI 45 C/C (E 60)

≥ 100MM DRYWALLS, MASONRY OR CONCRETE WALLS



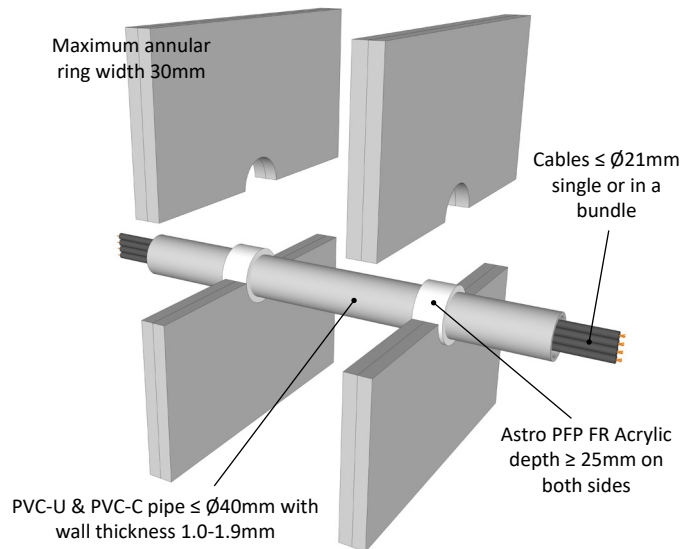
PVC CONDUIT FIRE RESISTANCE EI 45 U/C (E 60 U/C)

≥ 75MM DRYWALLS, MASONRY OR CONCRETE WALLS



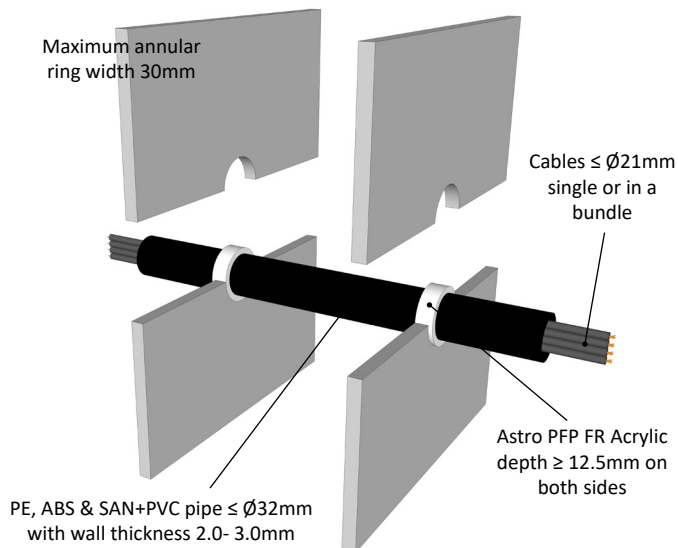
PVC CONDUIT FIRE RESISTANCE EI 120 U/C (E 120 U/C)

≥ 100MM DRYWALLS, MASONRY OR CONCRETE WALLS



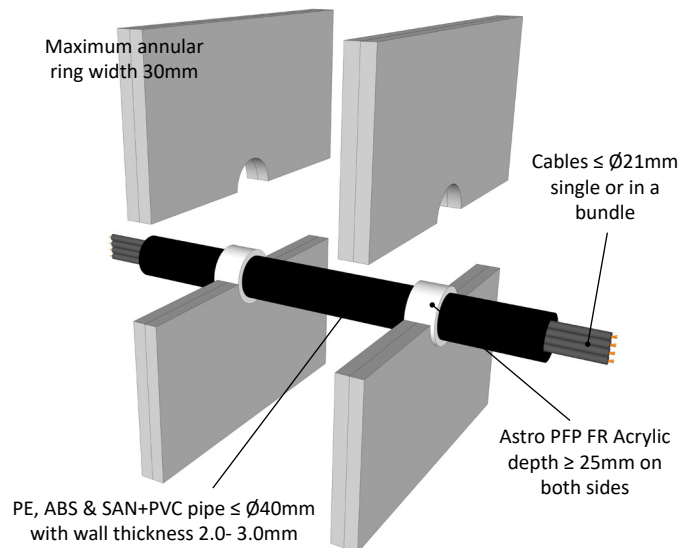
PE CONDUIT FIRE RESISTANCE EI 30 U/C (E 45 U/C)

≥ 75MM DRYWALLS, MASONRY OR CONCRETE WALLS



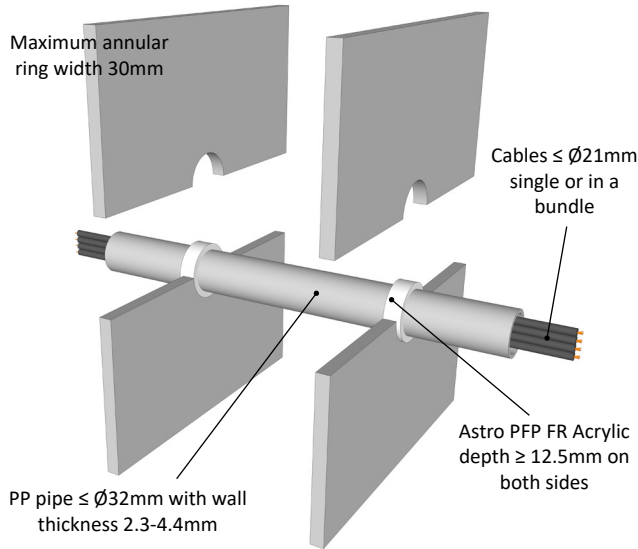
PE CONDUIT FIRE RESISTANCE EI 90 U/C (E 90 U/C)

≥ 100MM DRYWALLS, MASONRY OR CONCRETE WALLS



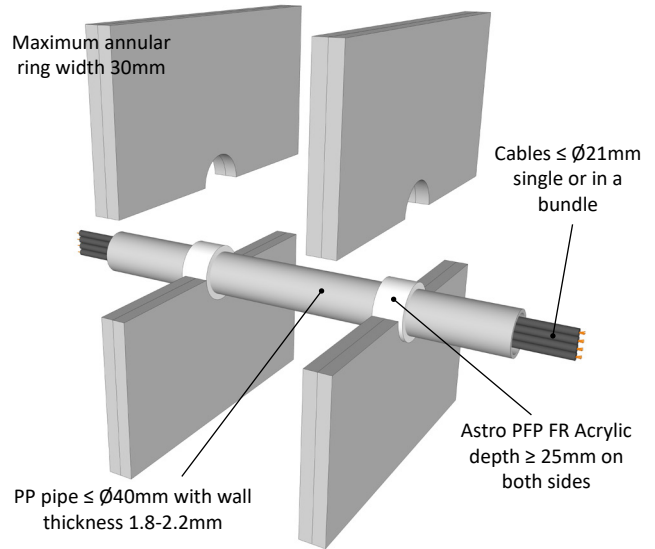
PP CONDUIT FIRE RESISTANCE EI 30 U/C (E 45 U/C)

≥ 75MM DRYWALLS, MASONRY OR CONCRETE WALLS



PP CONDUIT FIRE RESISTANCE EI 90 U/C (E 90 U/C)

≥ 100MM DRYWALLS, MASONRY OR CONCRETE WALLS



As part of our policy of ongoing improvements, we reserve the right to modify, alter or change product specifications without giving notice. Product illustrations are representations only. All information contained in this document is provided for guidance only, and as ASTROFLAME (FIRE SEALS) LTD has no control over the specific application or installation methods of the products, or of the prevailing site conditions, no warranties expressed or implied are intended to be given as to the actual performance of the products mentioned or referred to, and no liability whatsoever will be accepted for any loss, damage or injury arising from the use of the information given of products mentioned or referred to herein.

The above information to the best of our knowledge is true and accurate and based upon current test data and is supplied for your guidance only. Customers should satisfy themselves to the suitability of the product based on the products limitation of applications and that the product is fit for purpose for their intended use and no guarantee is given or implied since the conditions of actual use are beyond our control. ASTROFLAME (FIRE SEALS) LTD, disclaim any liability for loss, damage or other expense arising from the use of information, data or products mentioned or referred to and reserve the right to change any details or specifications without notice. If you are in any doubt as to the suitability of this product for your intended application please contact our technical team on 01329 844500 or email sales@astroflame.com and we will contact you.