

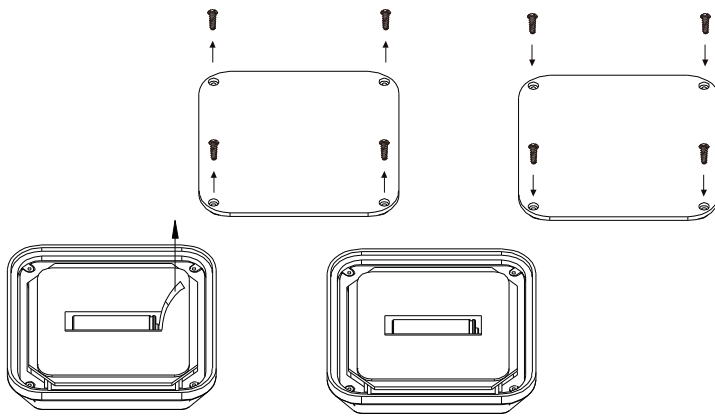
Art.no 480-48

FIRST USE

STEP 1.



PH2
6mm
+

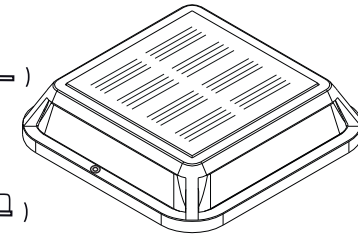


STEP 2.



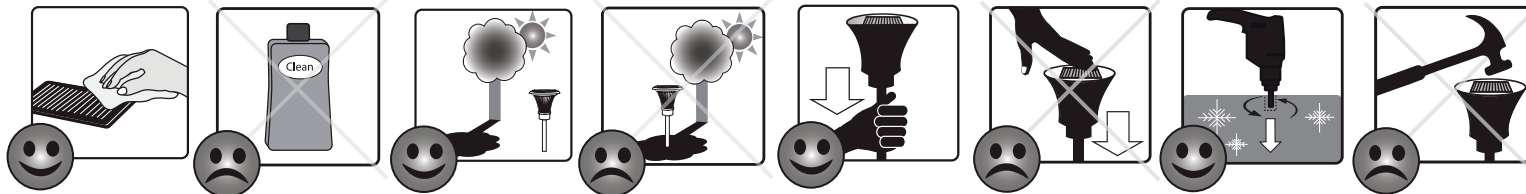
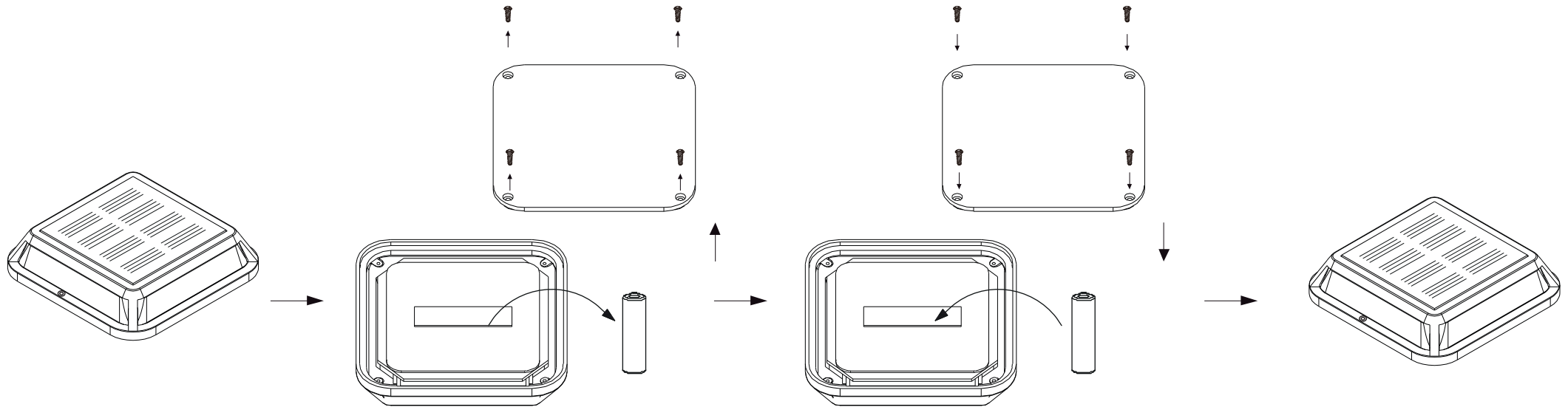
(ON)

(OFF)



Ready after
36 h in the sun

BATTERY REPLACEMENT



STAR[®]
TRADING

STAR STREET 1
512 50 SVENLJUNGA
SWEDEN

www.startrading.com

Art.no 480-48
ASSEMBLY
INSTRUCTION

STAR[®]
TRADING
STAR STREET 1
512 50 SVENLJUNGA
SWEDEN
www.startrading.com

