

Sanctuary Corner

4 PERSON | FULL SPECTRUM INFRARED SAUNA

- + 2 x 500W True Wave® Full Spectrum Heaters
- + True Wave® Carbon/Ceramic Far Infrared Heaters
- + FSC Certified Okoume Interior / Exterior
- + Chromotherapy Lights 96 LED / 12 Colours
- + Digital Touchpad Control
- + Smartphone App Control
- + Bluetooth/AUX Connectivity*
- + Stereo Speakers
- + Ergonomic Backrest
- + Smart Device Charging Cabinet
- + Flat and Ergonomic bench (reversible)



Please see next page for more information on Okoume wood

OKOUME



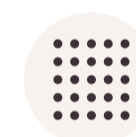
Built-in Charging & Audio Station

Charge your smart device, and connect your audio via Bluetooth or AUX inputs



Smart Phone App Control

Log in from your tablet or smartphone to remotely operate your sauna



Chromotherapy Included

Comes with medical grade Chromotherapy as standard



Full Spectrum Heating

Superior output from the full spectrum, comprising of near, mid and far infrared



Reversible Ergonomic bench

Choose between a contoured or flat profile surface



Low EMF

Our True Wave® heaters are the only infrared heaters with virtually no EMF

Features

Innovative Heating technology

Exclusively utilising our True Wave® Far Infrared and True Wave® Full Spectrum heaters, an innovative fusion of carbon and ceramic, provide optimal, efficient, and safe therapeutic heat.

Virtually EMF and ELF

Our True Wave® heaters output virtually zero EMF and ELF, and combined with our EMF shielding technology, we ensure the lowest and safest EMF and ELF exposure on the market.

360° Infrared Heat

Our saunas have heaters on the front wall, back wall, side walls and underneath the bench, heating your body from every direction, rather than just heating the sauna cabin air.

Chromotherapy Upgrade Included

Medical-grade Chromotherapy utilises coloured light wavelengths that therapeutically benefit mood, energy and cellular activity.

Ergonomically Designed

The chiropractor-designed backrest and reversible bench ensures ultimate comfort for long periods of relaxation. The seat is double-sided, with a contoured profile on one side, and flat on the reverse.

Integrative Wellness Enhancements

Transform your sauna in the complete wellness capsule by integrating multiple complementary therapies with our exclusive range of add-ons, such as the Red Light Therapy Tower, and Vibrational Resonance Therapy units.

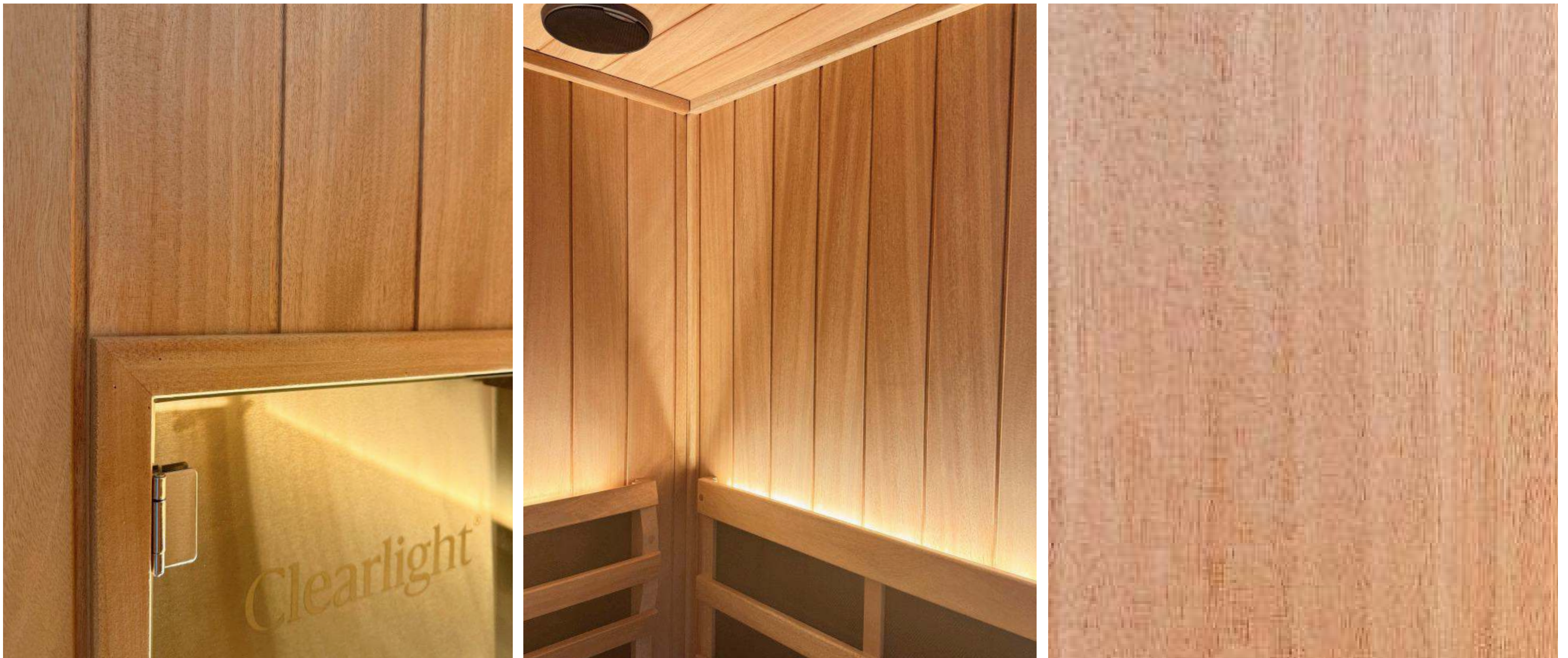
* For Residential customers only. Warranty on Commercial saunas are 5 years.

** Free delivery to United Kingdom locations. Deliveries to islands, remote or difficult to access areas might incur in a delivery fee. Please enquire about possible installation service.

Clearlight is transitioning to using Okoume wood for their infrared saunas.

Cedar has long been the standard timber used in sauna construction, however it has become increasingly scarce to source responsibly-forested cedar, prompting us to explore alternative woods that adhere to our high standards.

We discovered that **Okoume** is an excellent choice for saunas. It's slightly harder, making it more durable, and many consider it even more beautiful than cedar, with a superior, fine grain.



Sustainably Sourced Wood

- Decision driven by sustainability concerns.
- Okoume wood is sourced from sustainably managed forests in North Africa, ensuring responsible forestry practices and ecological integrity - FSC certified.

High Durability and Moisture Resistance

- Okoume wood is highly durable and moisture-resistant.
- Okoume scores 405 on the Janka Hardness Scale, compared to Cedar's 320.
- Ensures saunas remain pristine for decades.

Smooth Texture

- Uniform grain pattern provides a smooth surface.
- Hardness allows for smoother finishes.

Lighter Colour

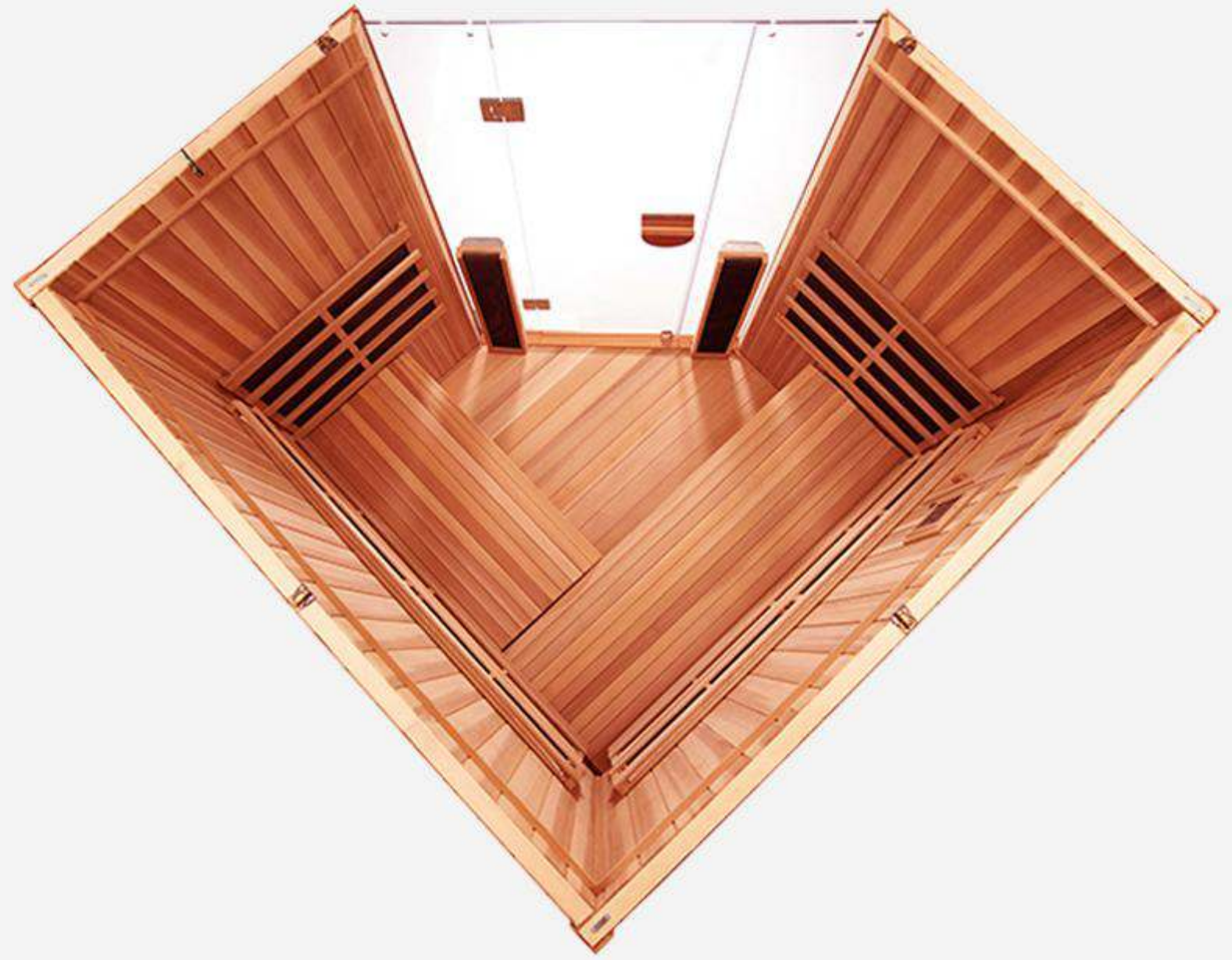
- Okoume's paler colour and tones complement modern aesthetics and interiors.

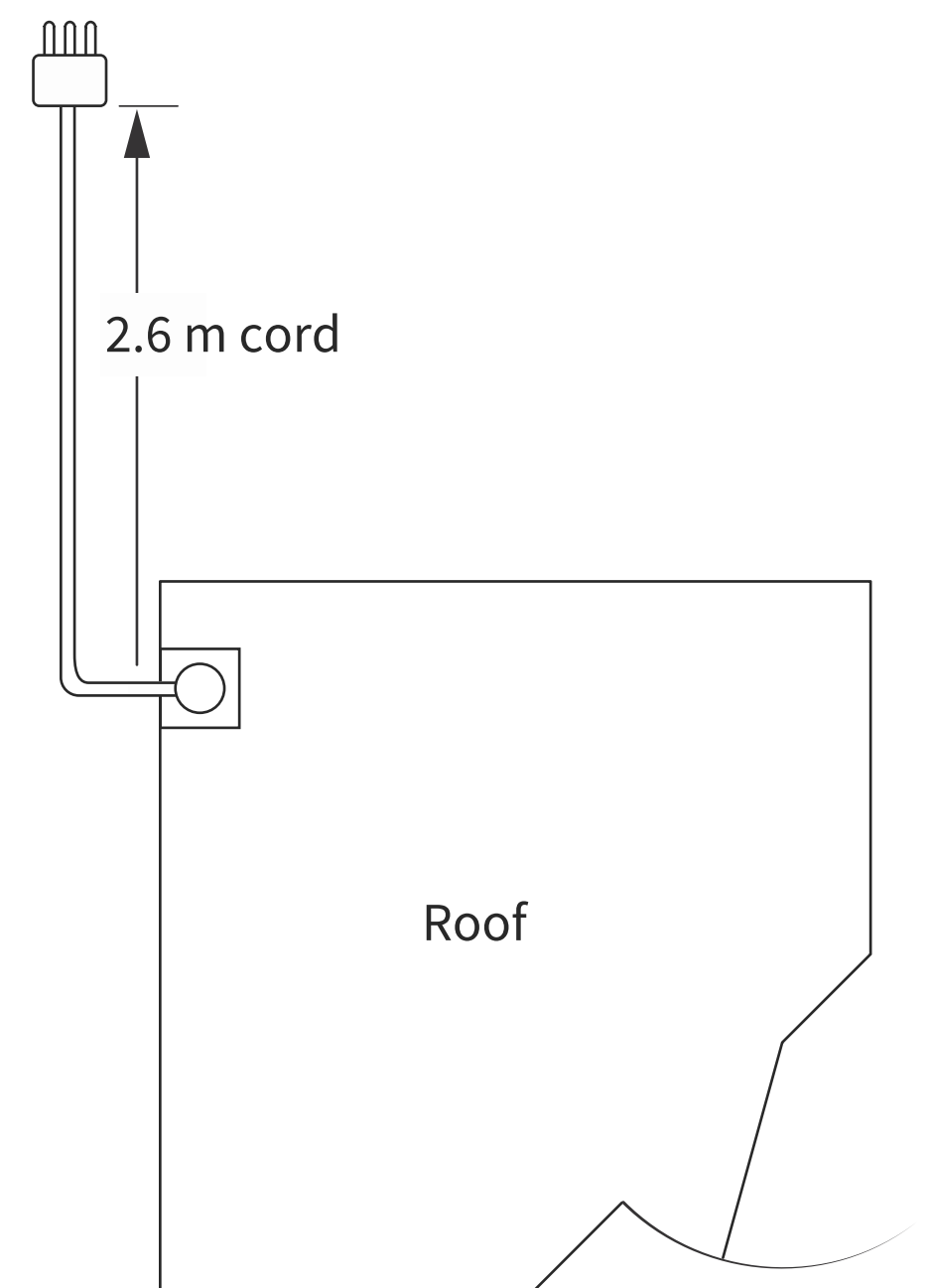
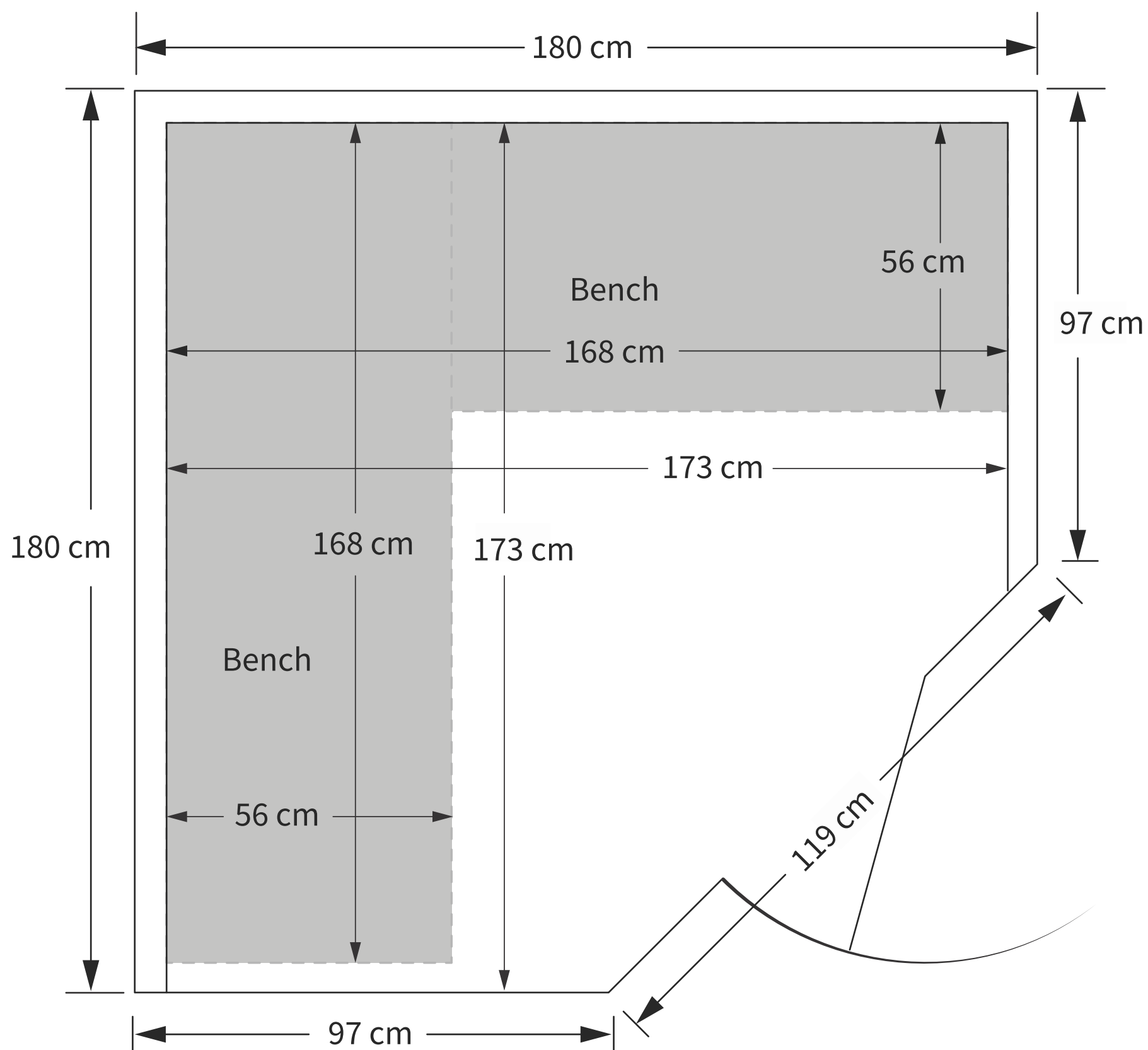
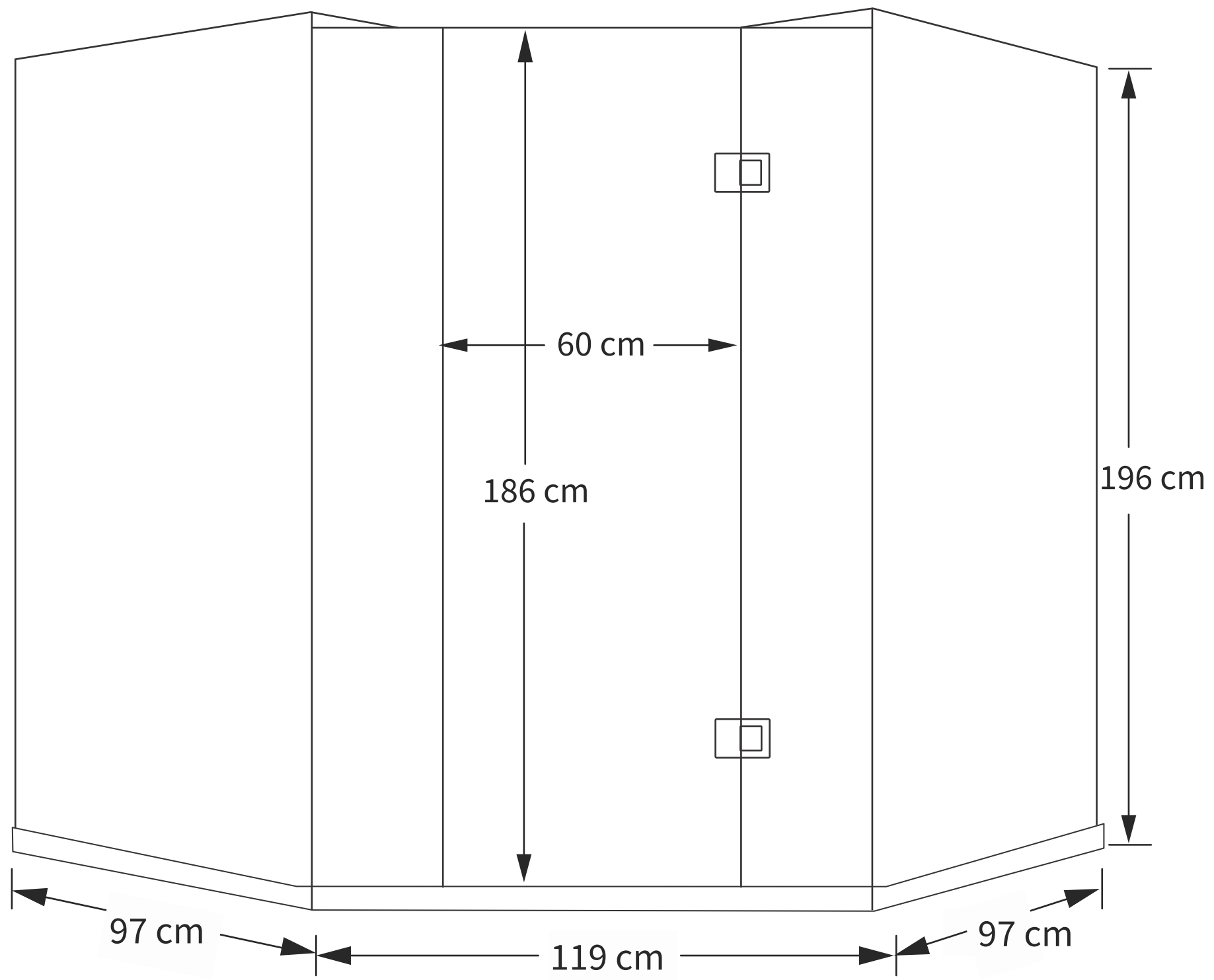
Low Resin Content

- Low resin content gives Okoume a neutral aroma.
- Ideal for those sensitive to strong smells.

Clearlight®

4 Person Clearlight® Sanctuary Corner Full Spectrum Sauna | S-C





Specifications | SC

Dimensions & Weight

	INTERIOR	EXTERIOR	WEIGHT
Width	173 cm	196 cm	290 kg
Depth	173 cm	180 cm	
Height	188 cm	97 cm	
Bench	168 x 56 cm		

Installation Requirements

Choose a location with a flat, level surface

- Allow **5 cm** clearance on the sides and at the rear of your sauna
- Allow **30 cm** of space above the sauna roof
- Ensure access to the powerpoint at all times, to allow for hard reset
- Check your sauna specs for required power amperage

Since every location is different, it's a great idea to connect with your sales consultant. They can provide valuable guidance in choosing the perfect sauna model for your specific space. A pre-install site inspection may also be possible, depending on your location.

Heaters

True Wave® Carbon & Ceramic Low EMF/ELF Heaters:
Far Infrared heaters on the back wall, side walls, under the bench and in the floor.
2 x Full Spectrum heaters on the front wall.

Power & Electrical Specs

230 V
3,220 W
15.3 A
The sauna requires to be hard wired into a dedicated outlet.
Please consult with your electrician.

Design

Eco Certified Grade "A" Hypoallergenic Western Red Cedar or FSC Certified Okoume
Zero volatile organic compounds
8mm tempered safety glass door, window and ceiling
Double wall tongue and groove construction

Warranty

Your Clearlight® sauna comes with another exclusive – the Clearlight Infrared® Saunas Lifetime Warranty for residential use.

For legal reasons we have to call it a Limited Lifetime Warranty. Why "Limited"? We cover parts and shipping for the entire lifetime, however labour is not included for a lifetime. We do however provide the parts and pay for shipping, and we will also provide instructions on how to resolve possibly issues with your sauna.

UK

Clearlight Saunas UK Ltd
+44 (0) 238 202 6522
+353 (1) 5719279 (Ireland)
infraredsauna.co.uk