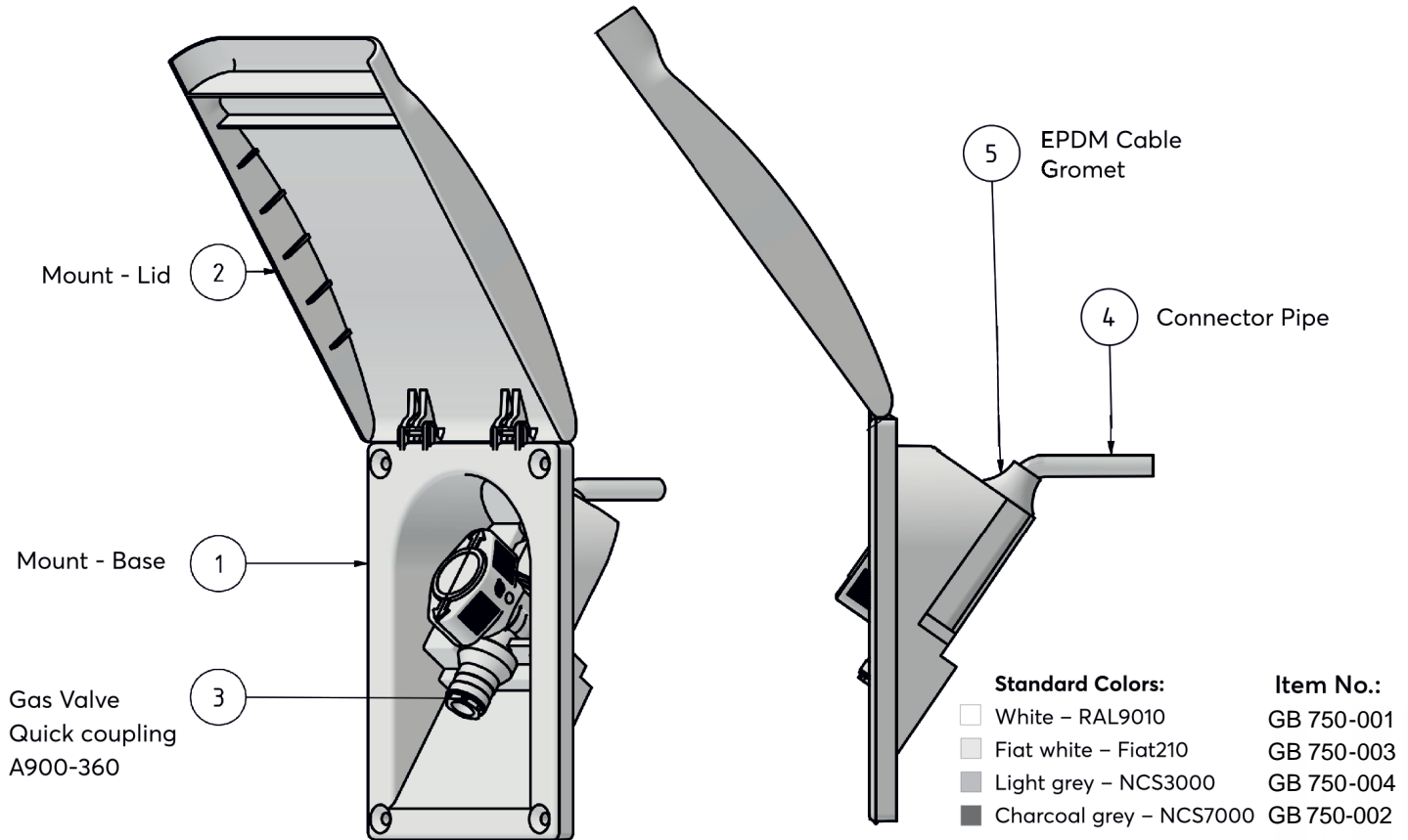




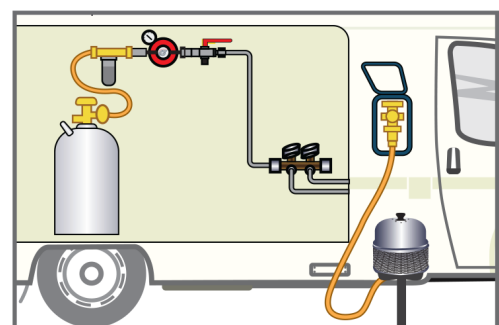
GAS OUTTAKE

Integrated Gas Technologies



Gas Outtake

- Click cover as it closes easily.
- Quick acting valve with quick coupling - and later only open for gas flow when gas hose is connected tightly.
- Easy Optimized design is availed for on/off valve operation and gas hose connection.
- Exchangeable cover - wind stable and it is available in various colors.



As a global gas regulator manufacturer IGT takes pride in product quality & durable products. We support UN Sustainable Development Goals with special focus on 3, 12 & 13. An extended product lifetime reduces environmental footprint.



INTEGRATED GAS TECHNOLOGIES ApS

Gydevang 39-41 , 3450 Allerød Denmark.

E-Mail: sales@igt-lpg.com - Tel: +45 45 76 99 21



Scan Qr Code to Visit Our Website
www.igt-lpg.com