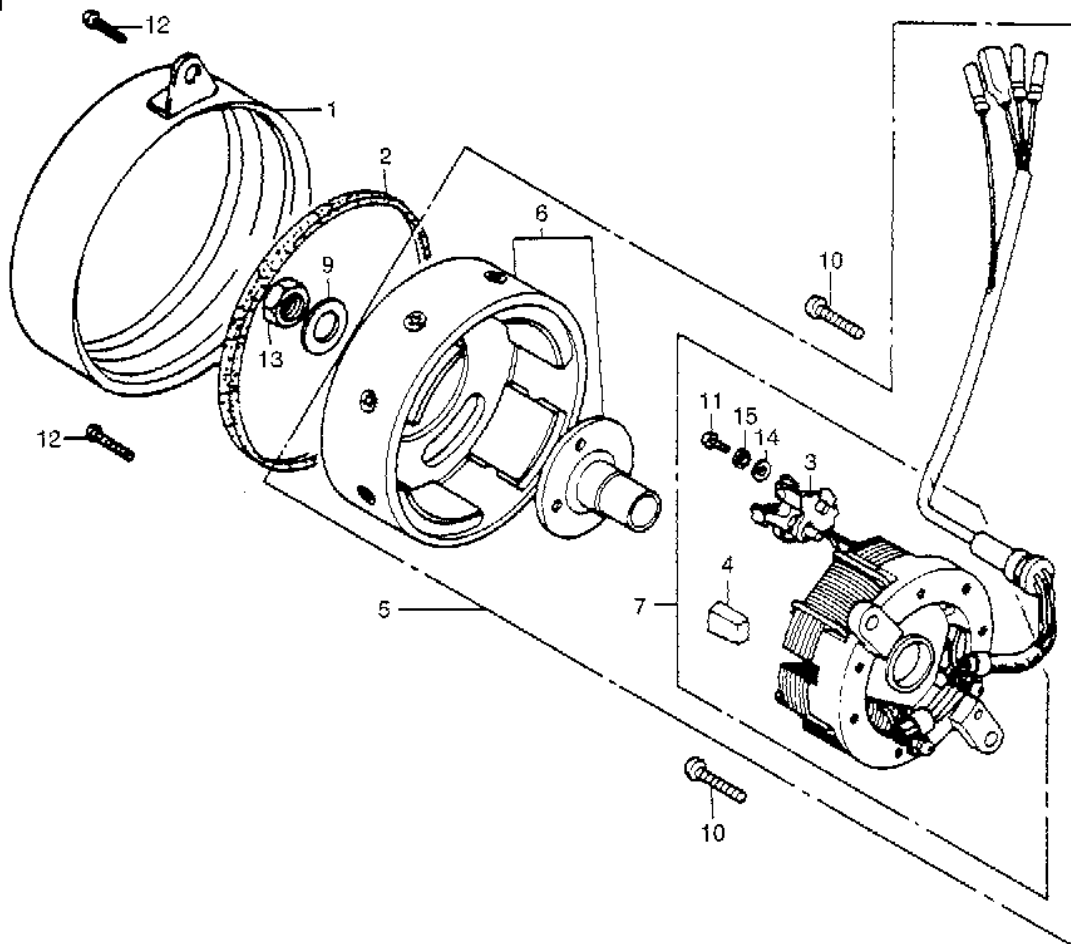
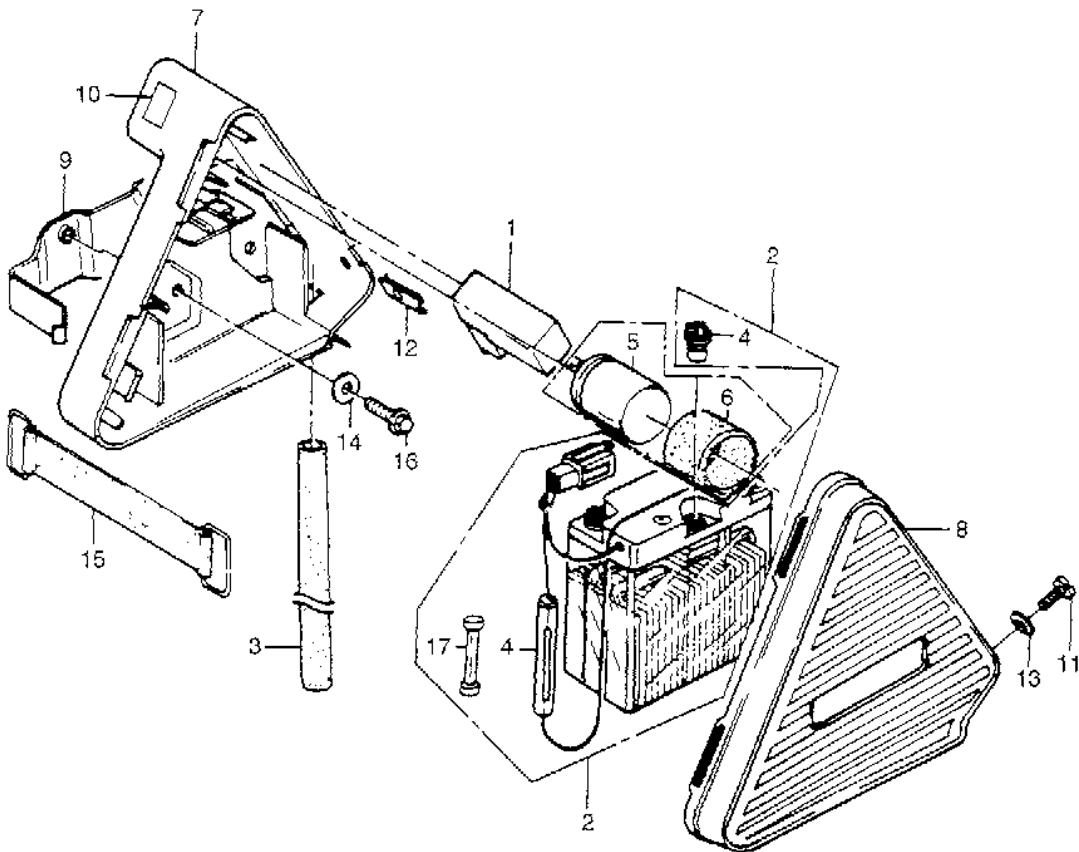


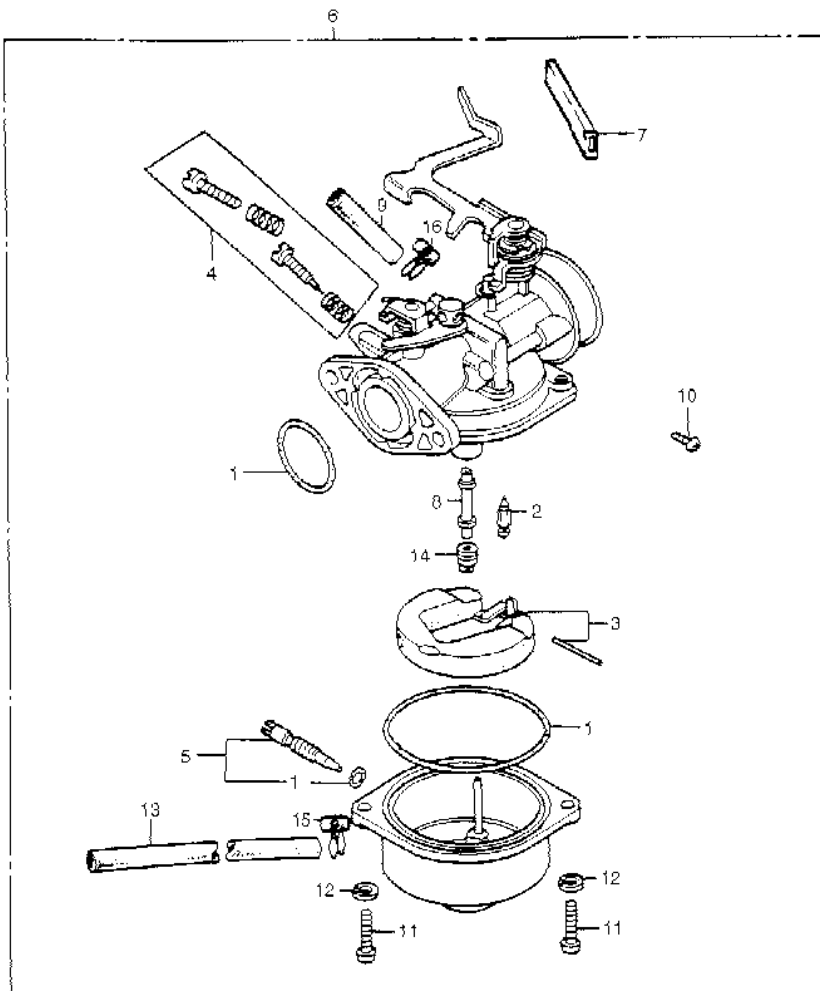
1	COVER, ALTERNATOR	11431-148-670
2	GASKET	11432-147-000
3	POINTS	30202-122-004
4	FELT, OIL	30205-147-000
5	ALTERNATOR ASSY.	31100-148-672
5	ALTERNATOR ASSY.	31100-148-673
5	ALTERNATOR	31100-GB7-671
6	FLYWHEEL	31121-148-671
6	FLYWHEEL	31121-148-672
7	STATOR	31141-148-672
7	STATOR	31141-148-673
7	STATOR, CDI	31120-GB7-671
9	WASHER (10X18)	90426-GW0-730
9	WASHER (10.5MM)	90426-001-000
9	WASHER	90426-035-000
10	BOLT, HEX. (6X20)	92000-06020
10	BOLT, HEX. (6X20)	92101-06020-0A
10	BOLT, FLANGE (6X20)	95700-06020-00
10	BOLT, FLANGE (6X20)	95701-06020-00
11	SCREW, PAN (4X12)	93500-04012-0A
12	SCREW, PAN (6X10)	93500-06010
13	NUT, HEX. (10MM)	94031-10000
13	NUT, FLANGE (10MM)	94050-10000
14	WASHER, FLAT (4MM)	94101-04200
15	WASHER, SPRING (4MM)	94111-04000



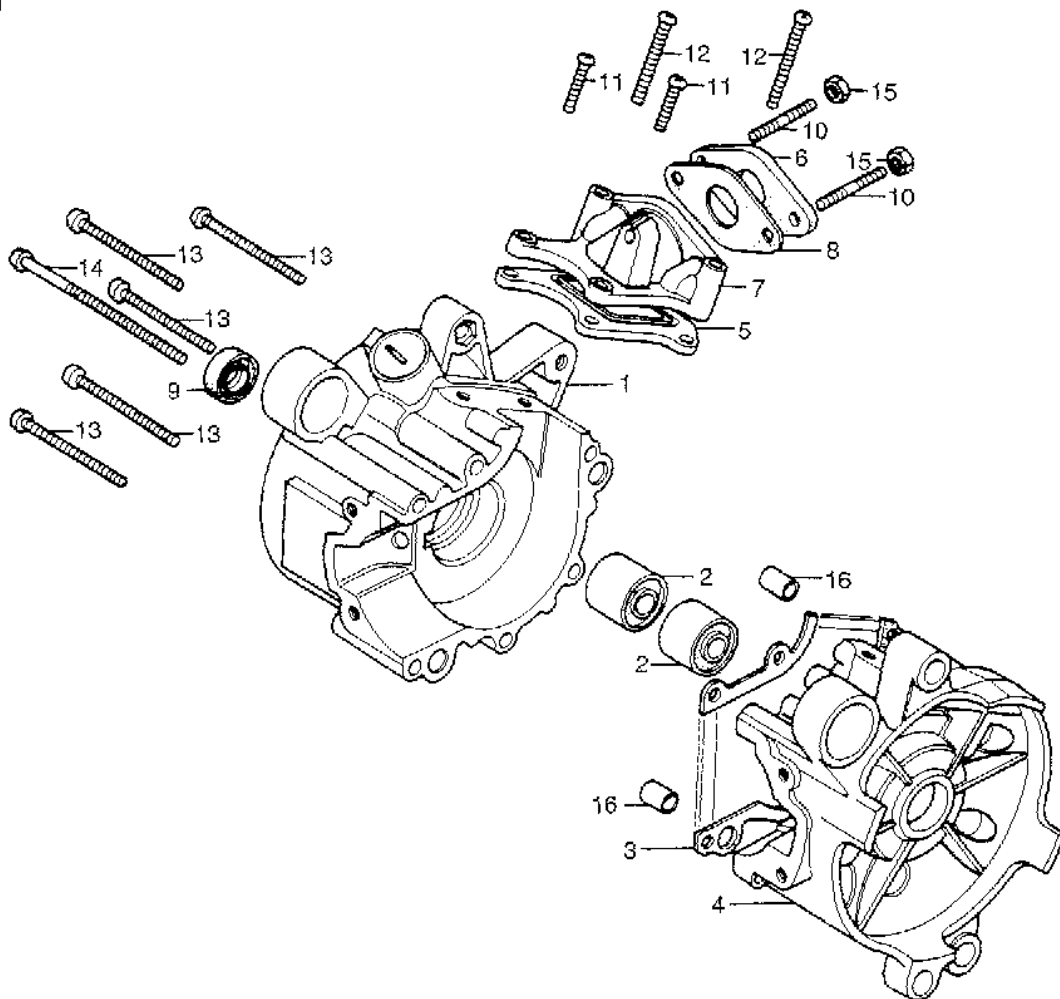
1	MODULE, IGN CONT	30410-187-008
2	BATTERY ASSY.	31500-GB7-671
3	TUBE	31502-GB7-670
4	CASE, FUSE CONNECTOR	32111-230-000
5	RELAY, TURN SIGNAL	38300-6F0-405
5	RELAY, TURN SIGNAL	38300-089-671
5	RELAY, TURN SIGNAL	38300-243-670
5	RELAY, TURN SIGNAL	38300-428-004
5	RELAY, TURN SIGNAL	38301-428-004
5	RELAY, TURN SIGNAL	38301-428-671
5	RELAY, TURN SIGNAL	38310-428-671
6	SUSPENSION	38306-323-000
7	BOX, BATTERY	50325-GB7-670
8	COVER, BATTERY BOX	50326-GB7-670
9	TRAY, BATTERY SET	50327-GB7-670
10	MARK	87506-GB7-670
11	SCREW, FENDER SPT	90166-943-000
12	NUT, CLIP (6MM)	90344-692-003
13	WASHER B	90554-240-000
14	WASHER (18MM)	90581-831-650
15	BAND B2, BATTERY	95012-13000
15	BAND B2, BATTERY	95012-13001
16	BOLT, FLANGE (6X16)	95700-06016-00
16	BOLT, FLANGE (6X16)	95701-06016-00
17	FUSE A (10A)	98200-11000



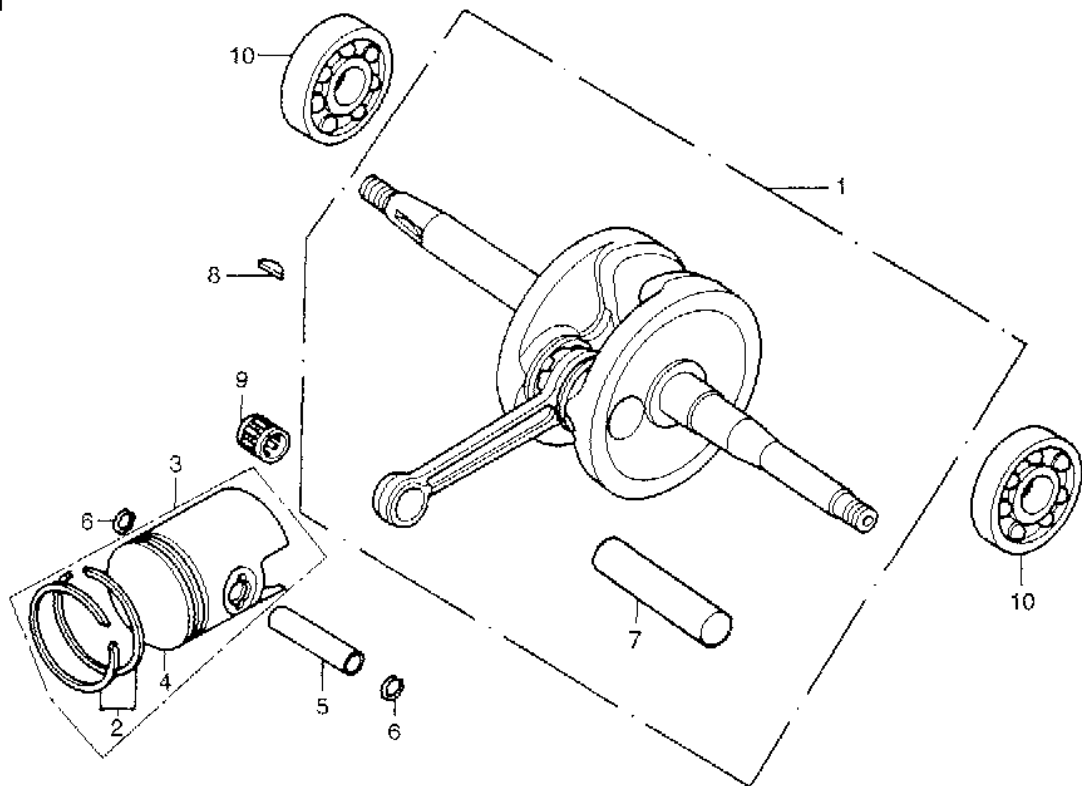
1	GASKET SET	16010-124-760
1	GASKET SET	16010-156-305
2	VALVE SET, FLOAT	16011-147-004
2	VALVE SET, FLOAT	16011-147-305
2	VALVE, FLOAT	16155-883-005
3	FLOAT SET	16013-124-760
3	FLOAT SET	16013-124-762
3	FLOAT SET	16013-883-005
4	SCREW SET A	16016-149-611
4	SCREW SET A	16016-890-015
5	SCREW SET, DRAIN	16024-124-760
6	CARBURETOR ASSY.	16100-148-645
6	CARBURETOR ASSY.	16100-148-646
6	CARBURETOR ASSY.	16100-148-708
7	EXTENSION	16110-148-010
8	NOZZLE, MAIN	16166-148-740
8	NOZZLE, MAIN	16166-148-610
9	TUBE, AIR VENT	16199-148-611
10	SCREW, PAN (4X8)	93500-04008-0H
11	SCREW, PAN (4X12)	93500-04012-0H
11	SCREW, PAN (4X12)	93500-04012-0A
12	WASHER, SPRING (4MM)	94111-04800
12	WASHER, SPRING (4MM)	94111-04000
13	BULK HOSE (3.5X3000)	95001-35003-60M
14	JET, MAIN (#60)	99101-124-0600
14	JET, MAIN (#78)	99101-124-0780
15	CLIP, TUBE (B7)	95002-02070
16	CLIP, TUBE (B6.5)	95002-02650



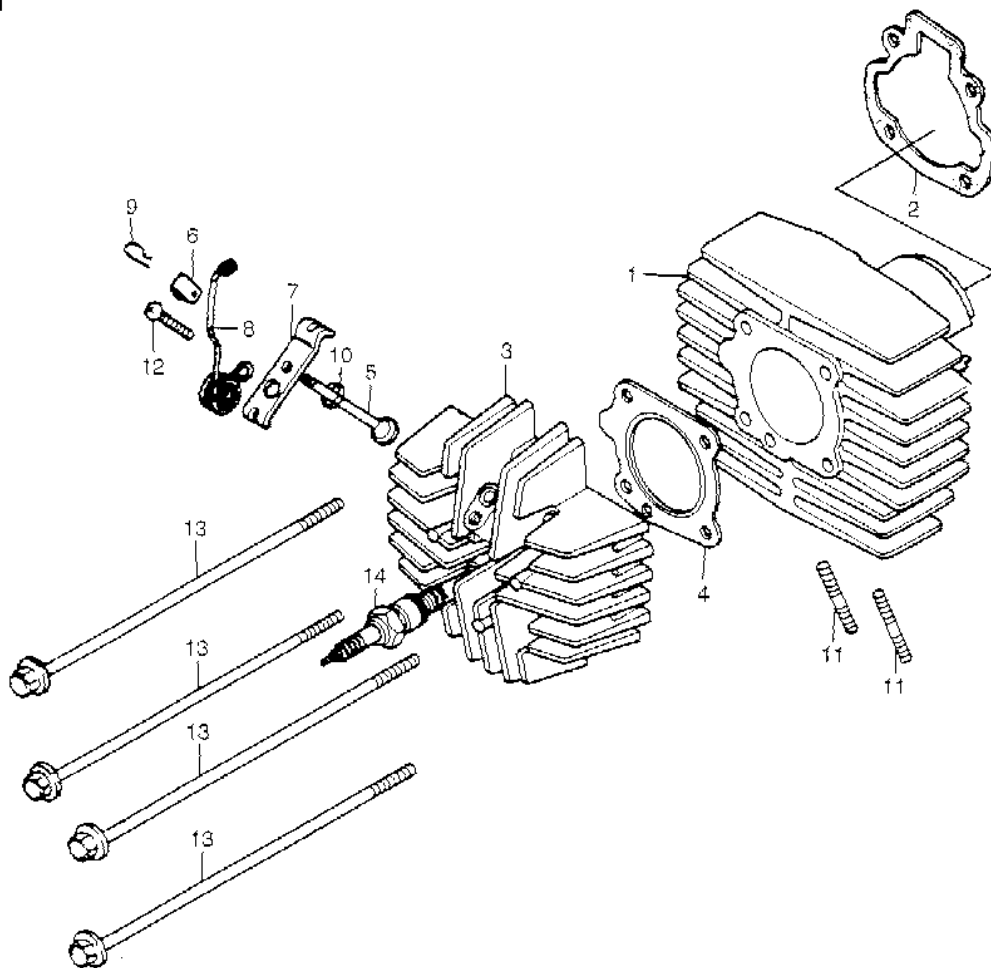
1	CRANKCASE, R.	11101-148-010
2	BUSH, ENG HGR RUB	11102-147-000
3	GASKET, CRANKCASE	11191-147-000
3	GASKET, CRANKCASE	11191-147-010
3	GASKET, CRANKCASE	11191-147-306
4	CRANKCASE, L.	11201-148-741
4	CRANKCASE, L.	11201-148-020
5	VALVE, REED	14100-148-644
5	VALVE, REED	14100-148-013
6	INSULATOR	16211-148-000
6	INSULATOR	16211-148-306
7	PIPE, INLET	17111-148-640
7	PIPE, INLET	17111-148-641
7	PIPE, INLET	17111-148-000
7	PIPE, INLET	17111-148-010
8	GASKET, IN. PIPE	17119-148-000
9	OIL SEAL (15X25.5X7)	91201-147-003
10	BOLT, STUD (6X31)	92700-06031
10	BOLT, STUD (6X18)	92900-06018-0B
11	SCREW, PAN (6X25)	93500-06025
11	BOLT, HEX. (6X25)	92000-06025
11	BOLT, HEX. (6X25)	92101-06025-0A
12	SCREW, PAN (6X40)	93500-06040
12	SCREW, PAN (6X40)	93500-06040-0A
12	BOLT, HEX. (6X40)	92000-06040-0A
12	BOLT, HEX. (6X40)	92101-06040-0A
13	SCREW, PAN (6X45)	93500-06045
13	SCREW, PAN (6X45)	93500-06045-0A
14	SCREW, PAN (6X80)	93500-06080
14	SCREW, PAN (6X80)	93500-06080-0A
15	NUT, HEX. (6MM)	94001-06000-0S
15	NUT, HEX. (6MM)	94001-06200-0S
16	PIN A, DOWEL (10X20)	94301-10200



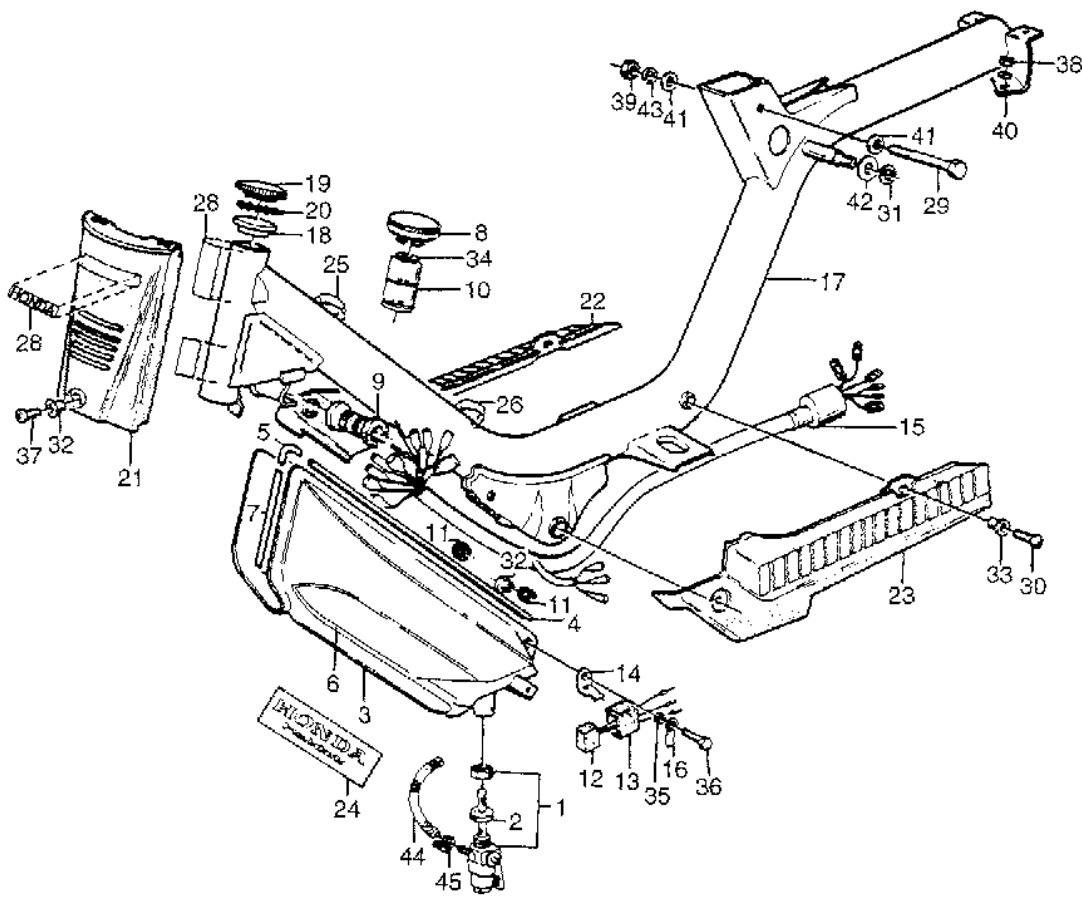
1	CRANKSHAFT	13000-148-770
1	CRANKSHAFT	13000-GB7-406
1	CRANKSHAFT	13000-148-671
1	CRANKSHAFT	13000-148-672
2	RING SET (STD)	13011-148-003
2	RING SET (STD)	13010-GF8-306
2	RING SET (STD)	13011-GA7-003
2	RING SET (STD)	13011-GA7-005
2	RING SET (STD)	13011-147-003
2	RING SET (STD)	13011-147-005
3	PISTON SET	13100-147-315
4	PISTON (STD)	13101-147-000
4	PISTON (STD)	13101-148-010
4	PISTON (STD)	13101-147-010
4	PISTON	13101-187-023
4	PISTON B	13103-187-023
5	PIN, PISTON (10X33)	13111-GK8-000
5	PIN, PISTON	13111-GS7-000
5	PIN, PISTON (10X33)	13111-122-000
6	CLIP (10MM)	13115-147-000
7	PIN, CRANK	13381-147-300
8	KEY, WOODRUFF (3MM)	90741-035-000
9	BEARING, CONN ROD	91102-GA7-008
10	BEARING (6004)	96100-60043-00
10	BEARING (6004)	91001-148-003
10	BEARING (6004)	91001-148-013



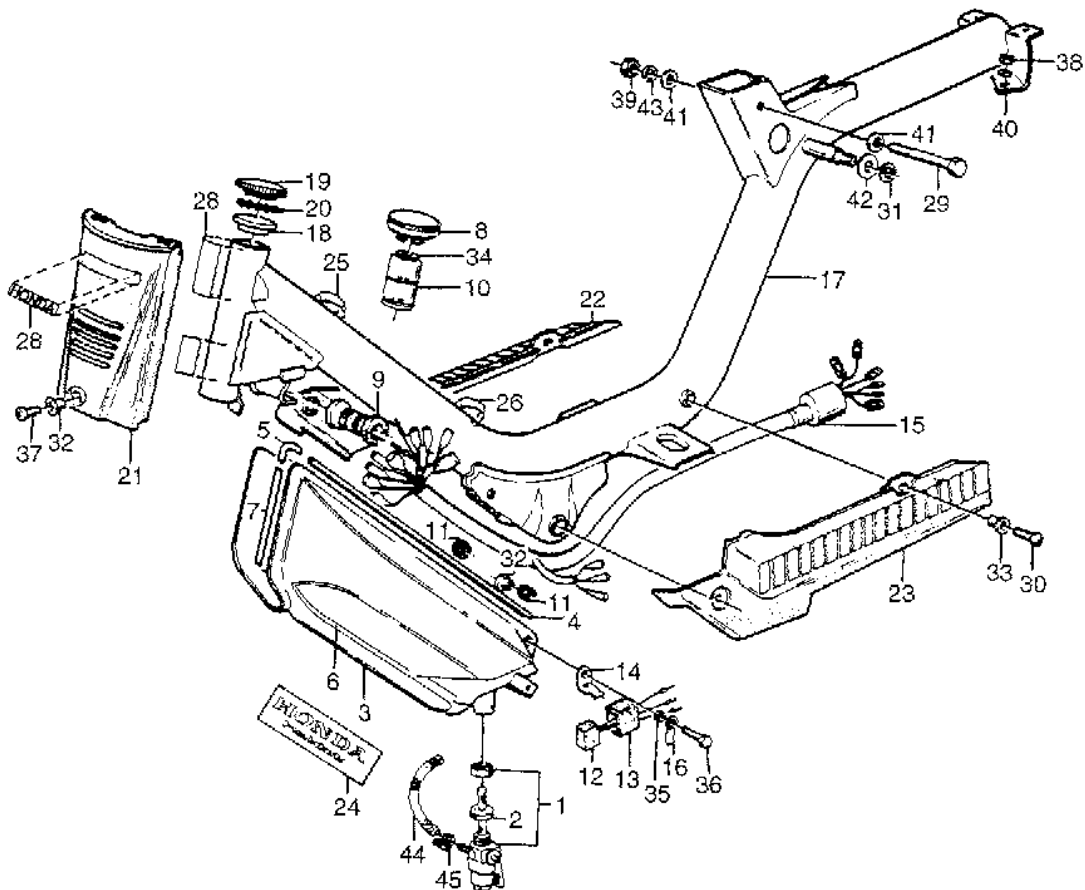
1	CYLINDER	12100-148-652
1	CYLINDER	12100-148-030
2	GASKET, CYLINDER	12191-147-306
2	GASKET, CYLINDER	12191-147-700
2	GASKET, CYLINDER	12191-147-701
3	CYLINDER HEAD	12200-148-010
4	GASKET, CYL HD	12251-148-000
5	VALVE, DECOMPRESSION	14911-148-000
6	BRACKET	14912-148-000
7	PLATE	14913-148-010
8	SPRING, DECOMP	14914-148-000
9	CLIP	24263-028-000
10	O-RING (3.6X1.4)	91301-MC0-000
10	O-RING (1.4X3.6)	91301-122-300
11	BOLT, STUD (6X28)	92700-06028-0B
12	SCREW, PAN (6X16)	93500-06016
12	SCREW, PAN (6X16)	93500-06016-QA
13	BOLT, FLANGE (6X100)	95800-06100-00
13	BOLT, FLANGE (6X100)	95801-06100-00
14	SPARK PLUG (BP-5HS)	98076-55711
14	SPARK PLUG (BP5HS)	98076-55719
14	SPARK PLUG (W16FP)	98076-55721
14	SPARK PLUG (BP6HS)	98076-56719
14	SPARK PLUG (BR5HS)	98076-55716
14	SPARK PLUG (BR6HS)	98076-56716
14	SPARK PLUG (BPR5HS)	98076-55717
14	SPARK PLUG (BPR5HS)	98076-55747
14	SPARK PLUG (BPR6HS)	98076-56717



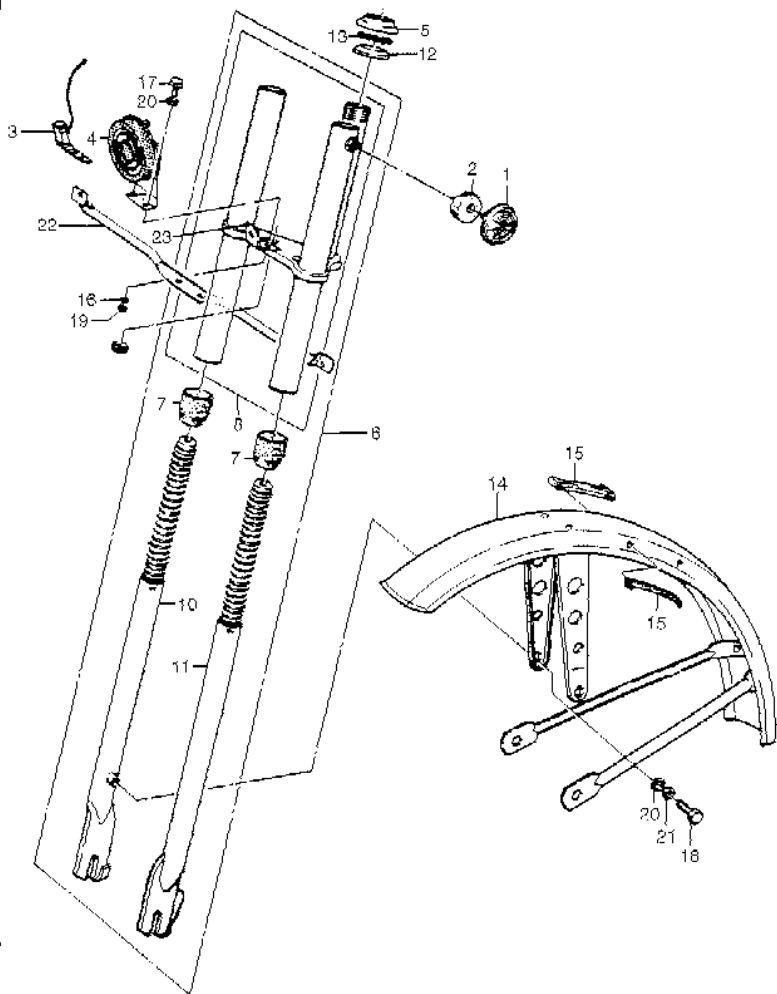
3	TANK, FUEL "R2"	17500-148-6700
3	TANK, FUEL "R4C/NH0"	17510-GB7-670
3	TANK, FUEL "Y2L"	17500-148-6701
3	TANK, FUEL "R2"	17510-GB7-670
4	LACE, FUEL TANK	17501-148-720
5	CLIP, LACE	17502-148-720
6	TK SUB, FUEL "R2"	17520-GB7-670
7	MOLDING B, FUEL TANK	17550-148-670
7	MOLDING B, FUEL TANK	17550-148-671
8	CAP, FUEL FILLER	17620-148-671
8	CAP, FUEL FILLER	17620-197-000
9	RUBBER, TANK SETTING	17623-148-000
10	CUP, MEASURE	17626-148-671
11	RUBBER	31403-323-000
12	RECTIFIER	31700-148-670
12	RECTIFIER	31700-166-008
13	RUBBER	31701-131-000
14	STAY, SILICON	31702-148-670
15	WIRE HARNESS	32100-148-671
15	WIRE HARNESS	32100-148-672
15	WIRE HARNESS	32100-GB7-671
16	CLIP, WIRE HARNESS	32172-148-010
17	FRAME "R2"	50100-148-672C
17	FRAME "R4C/NH0"	50100-GB7-850
17	FRAME "R2"	50100-148-673C
17	FRAME "Y2L"	50100-148-673I
17	FRAME "R2"	50100-GB7-670
18	RACE, STEERING BALL	50301-093-003
19	RACE, STEERING CONE	53211-093-003
20	BALL ASSY.	53213-093-003
21	MASK, FR.	80505-148-670
21	MASK, FR. "R2"	80505-148-670C
21	MASK, FR. "Y2L"	80505-148-670I
22	CVR, R. FLOOR "NH0"	83600-148-010C
22	COVER, R. FLOOR "R2"	83600-148-010C
22	COVER, R. "R4C/NH0"	83600-148-010C
22	CVR, R. FLOOR "Y2L"	83600-148-010I
23	CVR, L. FLOOR "NH0"	83700-148-670C
23	COVER, L. FLOOR "R2"	83700-148-670C
23	COVER, L. "R4C/NH0"	83700-148-670C
23	CVR, L. FLOOR "Y2L"	83700-148-670I
24	EMBLEM, R. TANK	87121-148-870
24	EMBLEM, L. TANK	87122-148-870
24	EMBLEM, R. TANK	87121-148-780
24	EMBLEM, L. TANK	87122-148-780
24	EMBLEM, R. TANK	87121-GB7-670
24	EMBLEM, L. TANK	87122-GB7-670
29	BOLT, HEX. (8x56)	90046-300-000
34	WASHER	90556-197-000
38	NUT, HEX. (6MM)	94001-06000-000
38	NUT, HEX. (6MM)	94001-06200-000
45	CLIP, TUBE (A10)	95002-01100



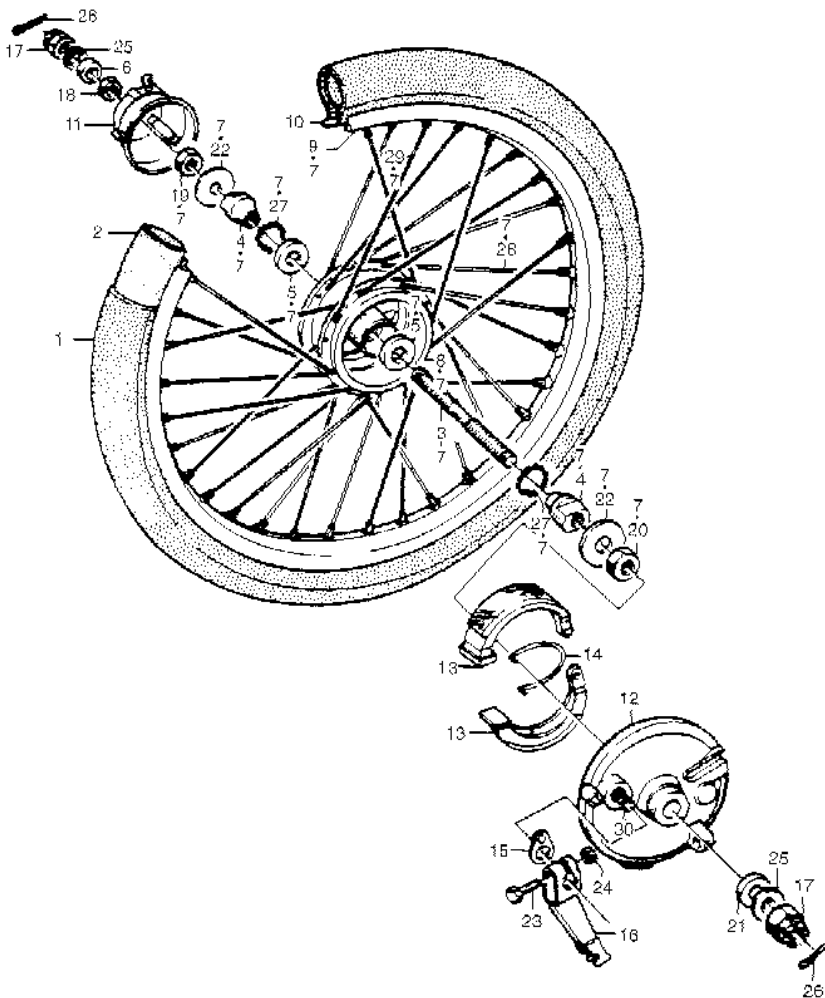
LABEL	87131-GB7-700
- TANK SUB-ASSY., FUEL	17520-148-7801
1 PETCOCK ASSY.	16950-148-671
2 GASKET, PETCOCK	16959-148-000
3 TANK, FUEL	17500-148-670
3 TANK, FUEL *R2*	17500-148-670C
3 TANK, FUEL *R4C/NH0*	17510-GB7-670
3 TANK, FUEL *Y2L*	17500-148-670F
3 TANK, FUEL *R2*	17510-GB7-670
4 LACE, FUEL TANK	17501-148-720
5 CLIP, LACE	17502-148-720
6 TK SUB, FUEL *R2*	17520-GB7-670
7 MOLDING B, FUEL TANK	17550-148-670
7 MOLDING B, FUEL TANK	17550-148-671
8 CAP, FUEL FILLER	17620-148-671
8 CAP, FUEL FILLER	17620-197-000
9 RUBBER, TANK SETTING	17623-148-000
10 CUP, MEASURE	17626-148-671
11 RUBBER	31403-323-000
12 RECTIFIER	31700-148-670
12 RECTIFIER	31700-166-008
13 RUBBER	31701-131-000
14 STAY, SILICON	31702-148-670
15 WIRE HARNESS	32100-148-671
15 WIRE HARNESS	32100-148-672
15 WIRE HARNESS	32100-GB7-671
16 CLIP, WIRE HARNESS	32172-148-010
17 FRAME *R2*	50100-148-670C
17 FRAME *R4C/NH0*	50100-GB7-950
17 FRAME *R2*	50100-148-673C
17 FRAME *Y2L*	50100-148-673F
17 FRAME *R2*	50100-GB7-670
18 RACE, STEERING BALL	50301-093-003
19 RACE, STEERING CONE	53211-093-003
20 BALL ASSY.	53213-093-003
21 MASK, FR.	80505-148-670
21 MASK, FR. *R2*	80505-148-670C
21 MASK, FR. *Y2L*	80505-148-670F
22 CVR, R. FLOOR *NH0*	83600-148-010C
22 COVER, R. FLOOR *R2*	83600-148-010C
22 COVER, R. *R4C/NH0*	83600-148-010C
22 CVR, R. FLOOR *Y2L*	83600-148-010F
23 CVR, L. FLOOR *NH0*	83700-148-670C
23 COVER, L. FLOOR *R2*	83700-148-670C
23 COVER, L. *R4C/NH0*	83700-148-670C
23 CVR, L. FLOOR *Y2L*	83700-148-670F
24 EMBLEM, R. TANK	87121-148-870
24 EMBLEM, L. TANK	87122-148-870
24 EMBLEM, R. TANK	87121-148-780
24 EMBLEM, L. TANK	87122-148-780
24 EMBLEM, R. TANK	87121-GB7-670
24 EMBLEM, L. TANK	87122-GB7-670
29 BOLT, HEX. (8x56)	90046-300-000



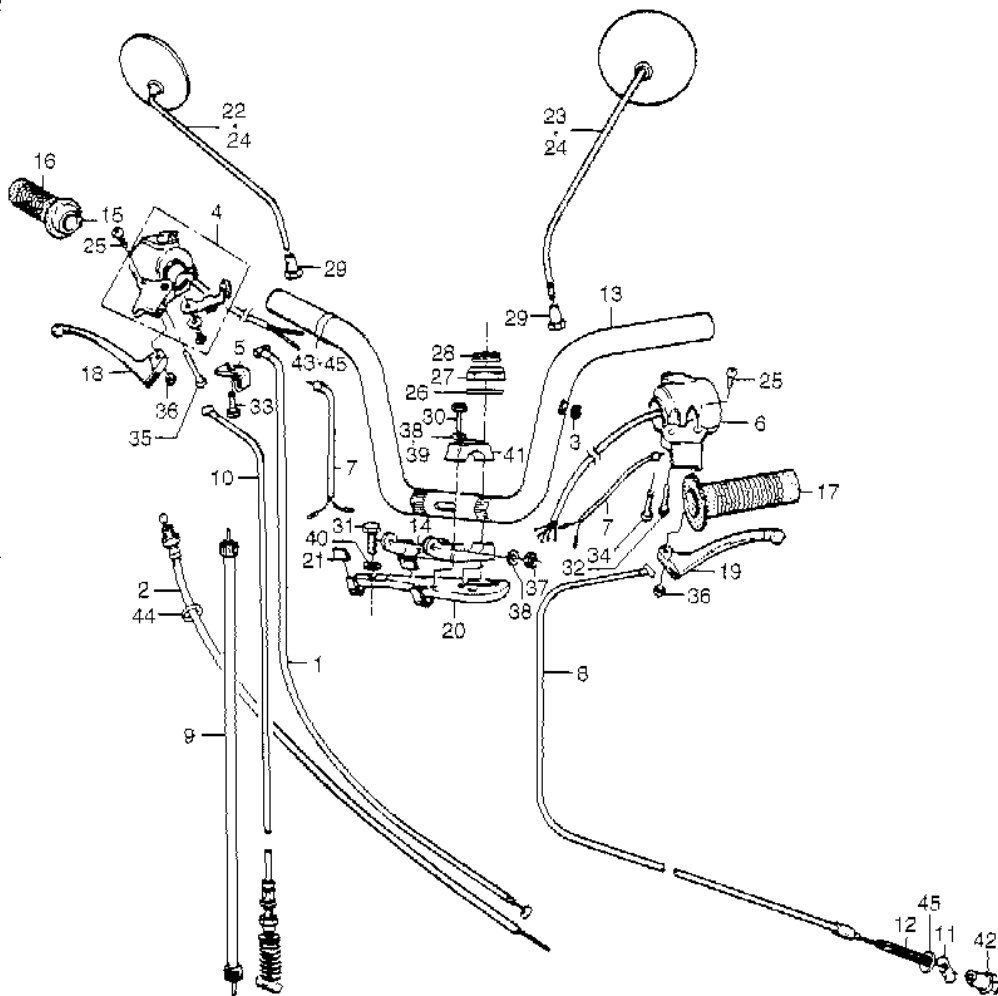
1	REFLECTOR, FR.	33741-340-670
1	REFLECTOR, FR.	33741-413-003
1	REFLECTOR, FR.	33741-413-013
1	REFLECTOR, FR.	33742-HB9-641
2	BASE, FR. REFLECTOR	33744-331-770
3	RESISTOR ASSY.	35400-148-670
4	HORN ASSY.	38100-148-671
4	HORN	38110-187-751
4	HORN	38110-198-004
5	RACE, STEERING BALL	50301-093-003
6	FORK ASSY., FR. "R2"	51500-148-672C
6	FORK ASSY., FR. "R2"	51500-148-674C
6	FORK, FR. "Y2L"	51500-148-672Y
6	FORK, FR. "Y2L"	51500-148-674Y
7	DUST SEAL, FR. FORK	51505-148-670
7	DUST SEAL, FR. FORK	51505-148-671
8	FORK, FR. "R2"	51510-148-670C
8	FORK, FR. "R2"	51510-148-671C
8	FORK, FR. "R2"	51510-148-672C
8	FORK, FR. "Y2L"	51510-148-670Y
8	FORK, FR. "Y2L"	51510-148-671Y
10	PIPE SLIDE, R. FR.	51520-148-672
10	PIPE SLIDE, R. FR.	51520-148-673
11	PIPE SLIDE, L. FR.	51530-148-673
11	PIPE SLIDE, L. FR.	51530-148-674
12	RACE, STEERING CONE	53212-093-003
13	BALL ASSY.	53213-093-003
14	FENDER, FR. "R2"	61100-148-611C
14	FENDER, FR. "Y2L"	61100-148-611Y
15	CABLE GUARD	61104-148-300
16	BOLT, ENGINE HANGER	90103-148-000
17	BOLT, HEX. (6X15)	92000-06015-0A
17	BOLT, HEX. (6X16)	92000-06016
17	BOLT, HEX. (6X16)	92000-06016-0A
17	BOLT, HEX. (6X16)	92000-06016-1A
17	BOLT, HEX. (6X16)	92100-06016-0A
17	BOLT, HEX. (6X16)	92101-06016-0A
17	BOLT, HEX. (6X16)	92200-06016-0A
17	BOLT, HEX. (6X20)	92000-06020
17	BOLT, HEX. (6X20)	92101-06020-0A
18	BOLT, HEX. (6X30)	92000-06030-0A
19	NUT, HEX. (6MM)	94001-06000-0S
19	NUT, HEX. (6MM)	94001-06200-0S
20	WASHER, PLAIN (6MM)	94101-06000
20	WASHER, PLAIN (6MM)	94101-06080
20	WASHER, PLAIN (6MM)	94101-06800
21	WASHER, SPRING (6MM)	94111-06000
22	STAY, FR. "R100"	33442-GB7-670Z
23	STAY, HORN	38102-GB7-670



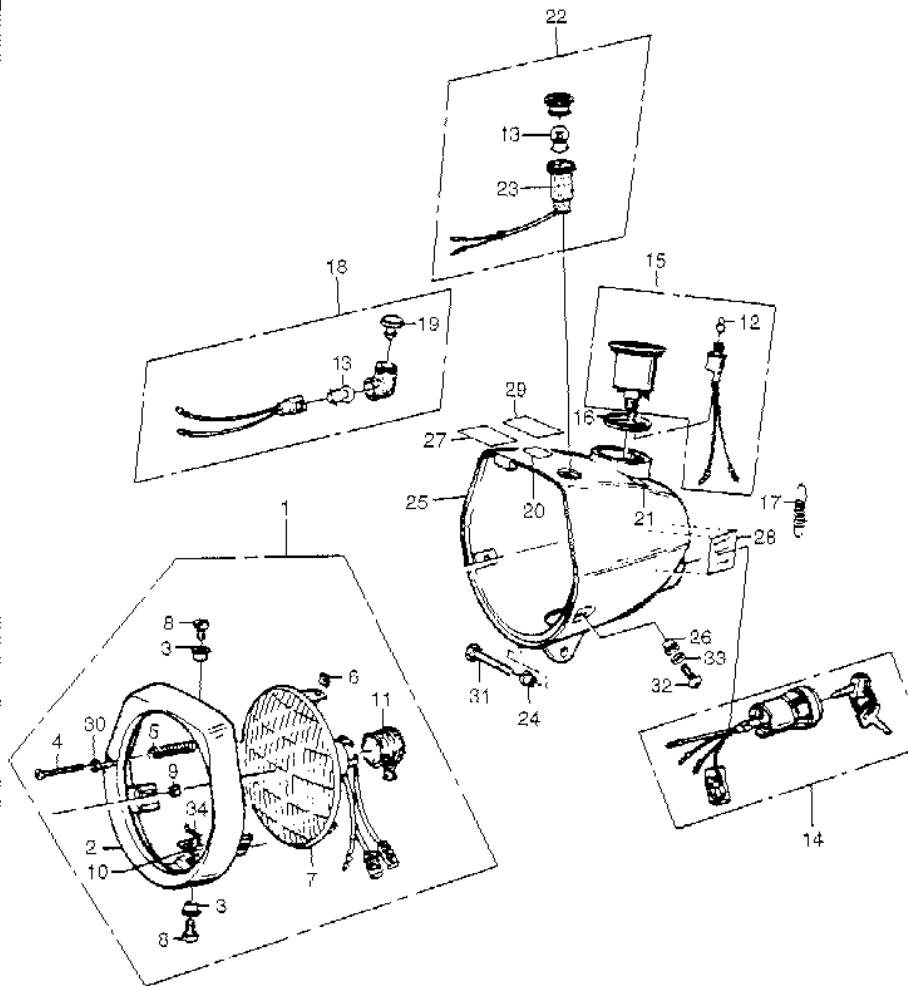
-	SHOE SET, BRAKE	06430-131-405
-	SHOE KIT, BRAKE	451A2-147-672
1	TIRE (2.25-17)	42711-149-670
2	TUBE, TIRE (2.50-7)	0Y400-03010
2	TUBE, TIRE (2.50-7)	08400-03010
2	TUBE, TIRE (2.50-17)	42712-041-154
2	TUBE, TIRE (2.50-7)	42712-052-009
3	AXLE, FR. WHEEL	44301-149-670
4	RACE, FR. WHEEL CONE	44302-093-003
5	RACE, FR. WHEEL BALL	44303-093-003
6	COLLAR, FR. AXLE	44311-149-010
7	WHEEL ASSY., FR.	44600-149-780
7	WHEEL SUB-ASSY., FR.	44630-149-670S1
8	HUB, FR. WHEEL	44601-149-670
9	RIM, FR. WHEEL	44701-149-780
10	FLAP, TIRE	44713-099-158
11	BOX ASSY.	44800-149-670
12	PANEL, FR. BRAKE	45100-149-671
13	SHOE SET, BRAKE	06430-131-405
13	*06430-131-405	43120-G29-003
13	SHOE, BRAKE	45120-GE8-505
13	SHOE, FR. BRAKE	45120-147-672
14	SPRING, BRAKE SHOE	45133-044-000
15	INDICATOR, BRAKE	45145-147-000
16	ARM, FR. BRAKE	45410-149-670
17	NUT, AXLE (11MM)	90305-149-670
18	NUT C (11MM-TH)	90312-099-003
19	NUT B (11MM-TH)	90313-093-003
20	NUT A (11MM-TH)	90314-093-003
21	NUT (11MM-TH) (29MM)	90316-149-670
22	WASHER, FLAT	90505-093-003
23	BOLT, HEX. (5X20)	92000-05020-0A
23	BOLT, HEX. (5X20)	92101-05020-0A
23	BOLT, SLOT (5X20)	92301-05020-0A
24	NUT, HEX. (5MM)	94001-05000
24	NUT, HEX. (5MM)	94001-05000-05
25	WASHER, PLAIN (11MM)	00000-00636
25	WASHER, PLAIN (12MM)	94101-12000
25	WASHER, FLAT (12MM)	94101-12000-00
25	WASHER, PLAIN (12MM)	94101-12200
26	PIN, COTTER (3.0X45)	94201-30450
27	BALL (#7) (7/32)	96211-07000
28	SPOKE A (13X187.5)	97087-11215-10
28	SPOKE A (13X185.5)	97188-11211-80
28	SPOKE A (13X185.5)	97188-11211-10
29	SPOKE A (13X187)	97188-11214-10
29	SPOKE A (13X186)	97087-11212-80
29	SPOKE A (13X186)	97087-11212-10
30	CAM, FR. BRAKE	45141-149-671



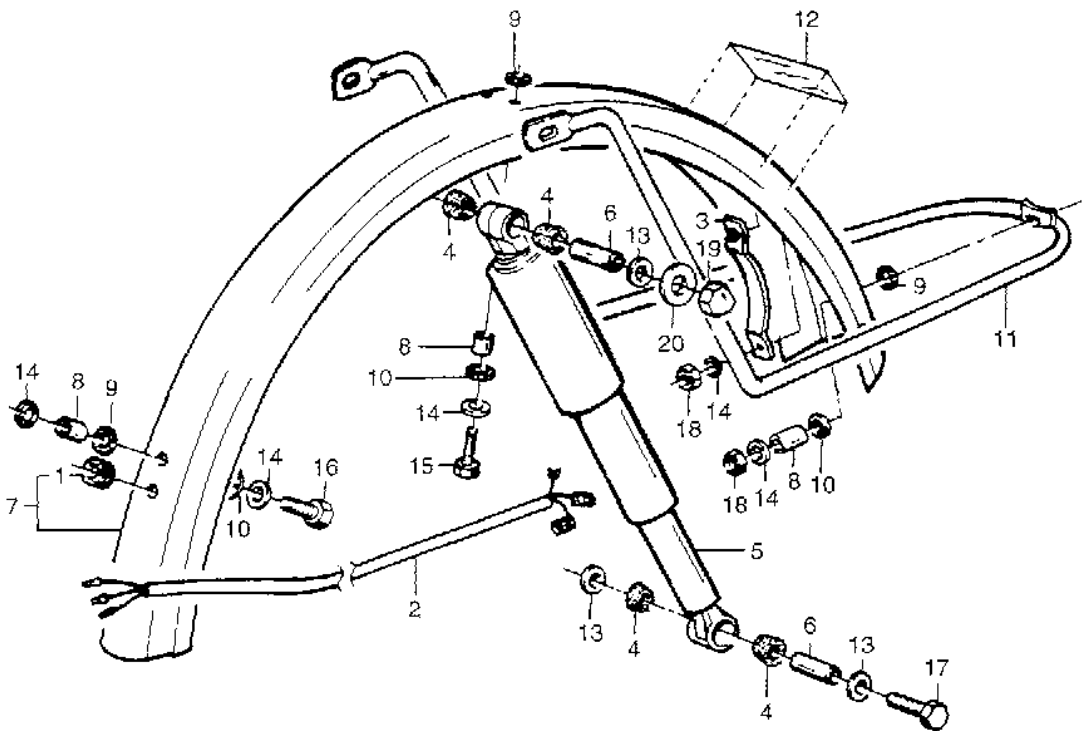
-	GROMMET, BRIDGE	51514-148-000
-	WASHER	90543-099-930
1	CABLE	14950-148-010
1	CABLE "NH1"	14950-148-020E
2	CABLE, THROTTLE	17910-148-671
2	CABLE, THROTTLE	17910-148-780
3	GROMMET	17911-023-000
4	SWITCH ASSY., KILL	35200-148-671
4	SWITCH ASSY., KILL	35200-148-872
4	SWITCH ASSY., KILL	35130-687-671
5	STOPPER, CABLE	35205-147-000
6	SWITCH ASSY.	35300-148-671
6	SWITCH ASSY.	35300-147-671
6	SWITCH ASSY.	35200-147-971
6	SWITCH ASSY.	35200-190-660
7	SWITCH, FR. STOP	35340-187-700
7	SWITCH, FR. STOP	35340-401-681
7	SWITCH, FR. STOP	35340-401-682
7	SWITCH, FR. STOP	35340-437-661
8	CABLE, RR. BRAKE	43450-148-670
8	CABLE, RR. "NH1"	43450-148-671E
9	CABLE, SPEEDOMETER	44830-148-670
9	CABLE, SPEEDOMETER	44830-148-671
10	CABLE, FR. BRAKE	45450-148-670
10	CABLE, FR. BRAKE	45450-148-671
10	CABLE, FR. BRAKE	45450-148-672
11	JOINT, BRAKE ARM	45453-148-670
12	SPRING, RR. BRAKE	45455-161-000
13	HANDLEBAR	53100-148-671
13	HANDLEBAR	53100-148-871
13	HANDLEBAR	53100-687-670
14	HOLDER, HANDLEBAR	53132-148-671
15	PIPE, THROTTLE GRIP	53141-147-010
15	PIPE, THROTTLE GRIP	53141-147-020
15	PIPE, THROTTLE GRIP	53141-125-770
16	GRIP, R. HANDLEBAR	53165-147-670
16	GRIP, R. HANDLEBAR	53165-147-670E
17	GRIP, L. HANDLEBAR	53166-147-670
17	GRIP, L. HANDLEBAR	53166-147-670E
18	LEVER, R. HANDLEBAR	53175-GR2-000
18	LEVER, R. HANDLEBAR	53175-GR2-010
18	LEVER, R. HANDLE	53175-147-671
19	LEVER, L. HANDLEBAR	53178-GF0-000
19	LEVER, L. HANDLEBAR	53178-GR2-000
19	LEVER, L. HANDLEBAR	53178-147-010
19	LEVER, L. HANDLEBAR	53178-155-000
19	LEVER, L. HANDLEBAR	53178-187-000
20	BRIDGE *Y3L*	53230-148-671>
20	BRIDGE "NH1"	53230-148-671E
21	CAP, TOP BRIDGE	61308-148-000
22	MIRROR, R.	88110-126-751
22	MIRROR, R.	88110-178-000
23	MIRROR, L. BACK	88120-088-950



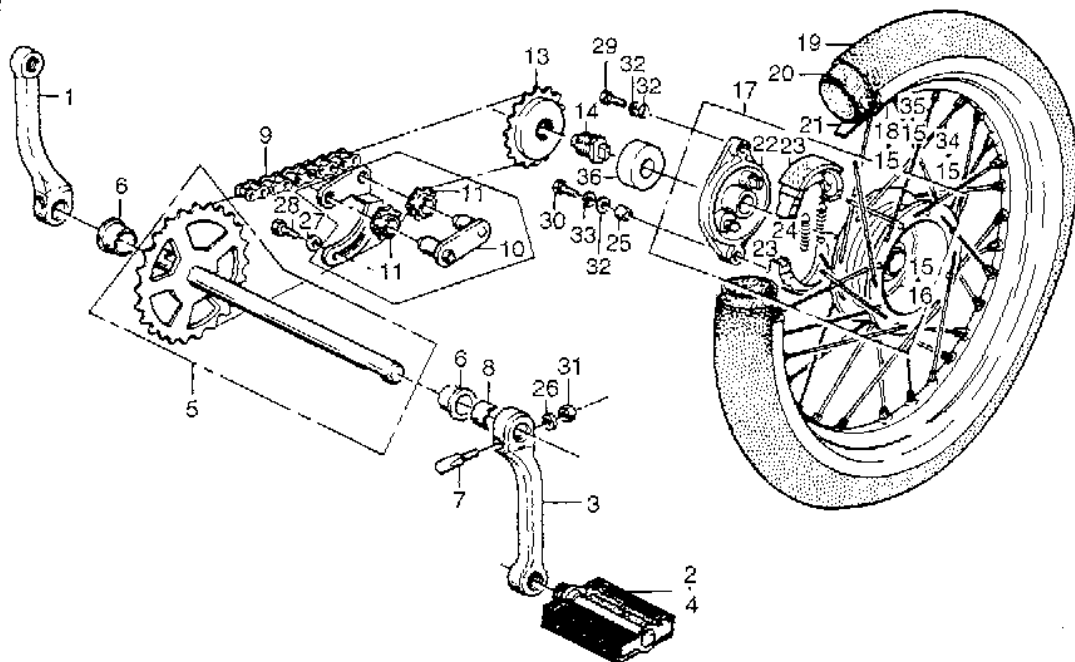
1	HEADLIGHT ASSY. *R2*	33100-147-672C
1	HEADLIGHT *R100*	33100-147-6722C
2	RIM *R100*	33101-147-6712C
2	RIM *Y100*	33101-147-6712F
3	WASHER, UNIT HOLDER	33102-147-670
4	SCREW, BEAM ADJ.	33103-147-671
5	SPRING	33107-147-671
6	NUT, BEAM ADJ.	33117-041-003
7	HEADLIGHT UNIT	33120-147-671
8	SCREW, UNIT HOLDER	33125-147-670
9	COLLAR	33127-147-670
10	NUT, UNIT HOLDER	33128-292-670
11	COVER, RUBBER	33130-111-671
12	BULB (6V1.5W)	34908-001-000
13	BULB (6V1.7W1CP)	34908-230-000
13	BULB (6V1.7W1CP)	34908-230-000
14	LOCK SET	35010-148-670
14	SWITCH, COMBINATION	35100-148-671
15	SPEEDOMETER ASSY.	37200-147-711
16	PLATE	37202-147-670
17	SPRING	37244-045-010
18	LIGHT, BEAM PILOT	37550-329-005
18	LIGHT, BEAM PILOT	37550-329-015
19	LENS, BEAM PILOT	37551-329-005
19	LENS, BEAM PILOT	37551-329-015
20	LABEL	37555-370-740
21	LABEL, TURN SIGNAL	37556-156-600
22	LAMP ASSY.	37560-147-890
23	LENS	37561-147-890
24	COLLAR, CHAIN CASE	40514-147-000
24	COLR, HEADLIGHT CASE	61302-147-670
25	CASE *R100*	61301-147-6732C
25	CASE *Y100*	61301-147-6732F
25	CASE *R100*	61301-147-8912F
26	COLLAR	61304-292-000
27	LABEL *NH1*	87510-147-670Z4
28	LABEL, PROTECTION	87519-148-670
28	LABEL, PROTECTOR	87519-GB7-670
29	LABEL *NH1*	87560-323-670B
29	LABEL *NH1*	87560-323-670Z4
29	LABEL *NH1*	87560-174-770Z4
30	WASHER, BEAM ADJ.	90286-147-670
31	BOLT, HEX. (6X25)	92000-06025
31	BOLT, HEX. (6X25)	92101-06025-0A
32	SCREW, PAN (5X16)	93500-05016-0A
33	WASHER, SPRING (5MM)	94111-05000
34	PIN, LOCK (5MM)	94251-05000



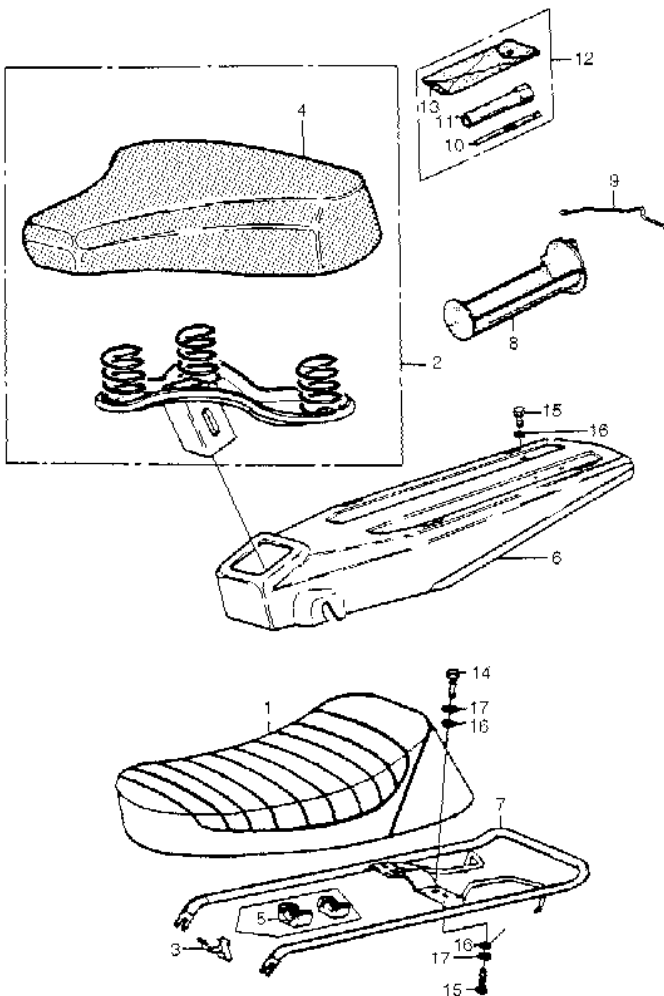
1	SEAL, RUBBER	31404-148-000
1	SEAL, RUBBER	31404-148-300
2	SUB-WIRE, TAIL/STOP	32101-148-670
2	SUB-WIRE, TAIL/STOP	32101-148-671
2	SUB-WIRE HARNESS	32101-GB7-670
3	PLATE, TAILLIGHT SET	33706-148-670
4	BUSH, RR. SHOCK	52144-027-000
5	S/ABS ASSY. *NH0*	52400-148-500CV
5	S/ABS ASSY. *R2*	52400-148-000C
5	S/ABS ASSY. *Y2L*	52400-148-000Y
5	S/ABS, RR. *R4C/NH0*	52400-148-000CF
6	COLLAR, RR. SHOCK	52485-093-000
7	FENDER, RR. *R2*	80100-148-631C
7	FDR, RR. *R4C/NH0*	80100-148-631CF
7	FENDER, RR. *Y2L*	80100-148-631IY
7	FENDER, RR. *R2*	80100-GB7-670C
7	FDR, RR. *R4C/NH0*	80100-GB7-671CI
8	COLLAR, DISTANCE	80111-099-000
9	RUBBER A, RR. FENDER	80112-099-000
10	RUBBER B, RR. FENDER	80113-099-000
11	PIPE, GUARD	80200-148-020
12	MARK, TIRE CAUTION	87505-148-671
12	MARK, TIRE CAUTION	87505-GB7-670
13	WASHER, PIVOT	90401-099-930
14	WASHER (18MM)	90581-831-650
15	BOLT, HEX. (6X20)	92000-06020
15	BOLT, HEX. (6X20)	92101-06020-QA
16	BOLT, HEX. (6X25)	92000-06025
16	BOLT, HEX. (6X25)	92101-06025-QA
17	BOLT, CAP (10X35)	92500-10035-QA
18	NUT, HEX. (6MM)	94001-06000-0S
18	NUT, HEX. (6MM)	94001-06200-0S
19	NUT, CAP (10MM)	94021-10000
19	NUT, CAP (10MM)	94022-10000-0S
19	NUT, CAP (10MM)	94021-10000-0S
20	WASHER, PLAIN (10MM)	94101-10000



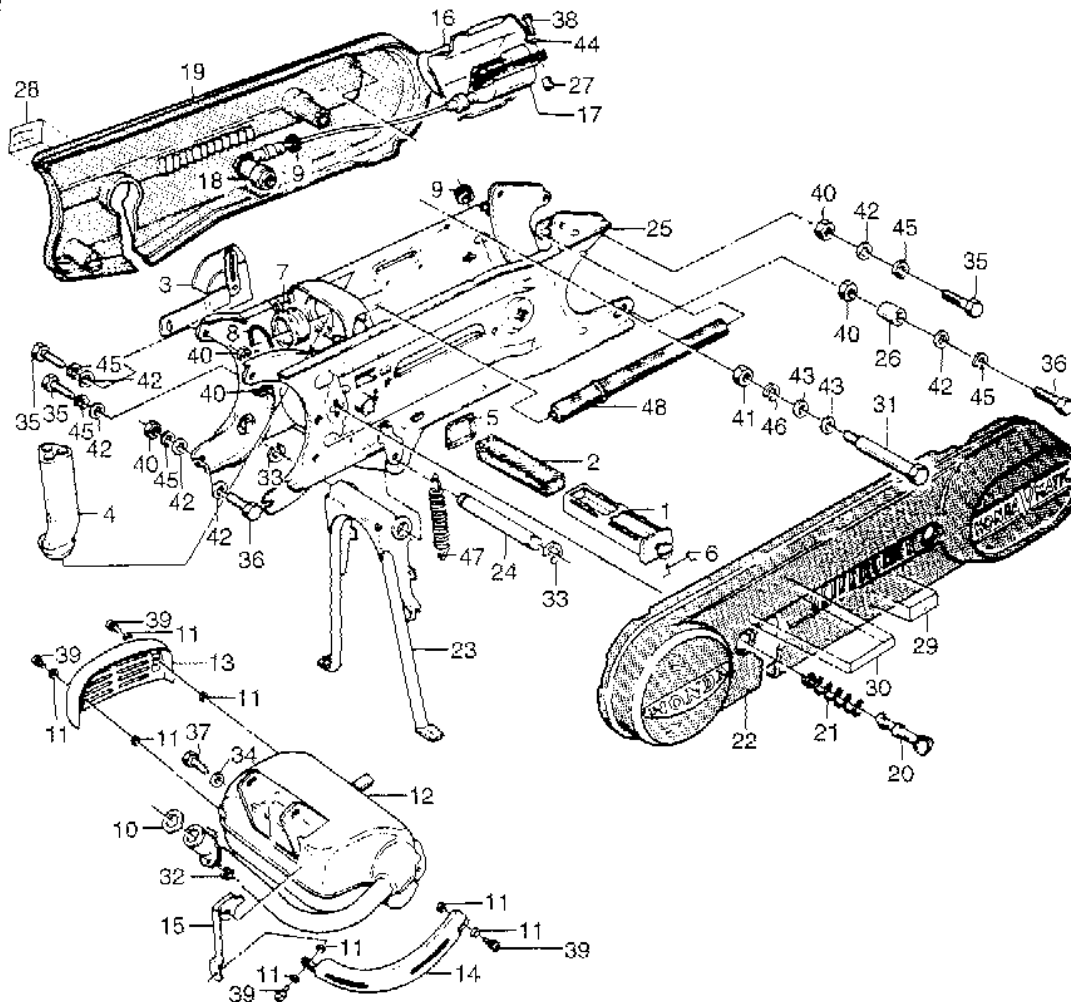
SHOE KIT, BRAKE		45130-148-670
1	ARM, R. CRANK	40210-122-691
2	PEDAL, R. CRANK	40215-099-920
3	ARM, L. CRANK	40220-122-691
4	PEDAL, L. CRANK	40225-099-920
5	SHAFT, DRIVE	40230-148-020
6	BUSH, DRIVESHAFT	40234-148-000
7	PIN	40235-093-000
8	COLLAR, DRIVESHAFT	40236-148-721
9	CHAIN, PEDAL	40535-148-003
9	CHAIN DRIVE	40535-197-600
10	TENSIONER, CHAIN KIT	40540-148-670
11	ROLLER, TENSIONER	40541-148-010
12	PLATE, CHAIN TENSIONER	40545-148-670
13	FREE WHEEL (22T)	41210-148-000
14	GUIDE, FREE WHEEL	41215-148-000
15	WHEEL ASSY., RR.	42600-148-670
16	HUB, RR. WHEEL	42601-148-670
17	HUB & PANEL ASSY.	42610-148-670
18	RIM, RR. WHEEL	42701-148-670
19	TIRE (2.25-17)	42711-148-670
20	TUBE, TIRE (2.50-7)	07400-03010
20	TUBE, TIRE (2.50-7)	08400-03010
20	TUBE, TIRE (2.50-17)	42712-041-154
20	TUBE, TIRE (2.50-17)	42712-052-009
21	FLAP, TIRE	44713-099-158
22	PANEL, RR. BRAKE	43100-148-672
23	SHOE, RR. BRAKE	43120-148-670
23	SHOE KIT, BRAKE	45130-148-670
24	SPRING, SHOE	45133-093-003
24	SPRING, BRAKE SHOE	43133-148-671
25	COLLAR, RR. SWINGARM	52112-148-000
26	WASHER, CRANK ARM	90545-044-000
27	WASHER (18MM)	90581-831-650
28	BOLT, HEX. (6X12)	92000-06012
28	BOLT, HEX. (6X12)	92101-06012
28	BOLT, HEX. (6X12)	92101-06012-04
29	BOLT, HEX. (8X18)	92000-08018-04
29	BOLT, HEX. (8X18)	92101-08018-04
30	BOLT, HEX. (8X36)	92000-08036-04
30	BOLT, HEX. (8X35)	92101-08035-04
30	BOLT, HEX. (8X36)	92101-08036-04
31	NUT, HEX. (6MM)	94001-06000-06
31	NUT, HEX. (6MM)	94001-06200-06
32	WASHER, PLAIN (8MM)	94101-08000
33	WASHER, SPRING (8MM)	94111-08000
34	SPOKE A (12X159)	97064-21158-1C
34	SPOKE A (12X157)	97160-21154-FC
34	SPOKE A (12X157)	97160-21154-1C
35	SPOKE A (12X159)	97160-21158-1C
35	SPOKE A (12X157)	97065-21154-FC
35	SPOKE A (12X157)	97065-21154-1C
36	BEARING (6202UU)	96150-62020-1C



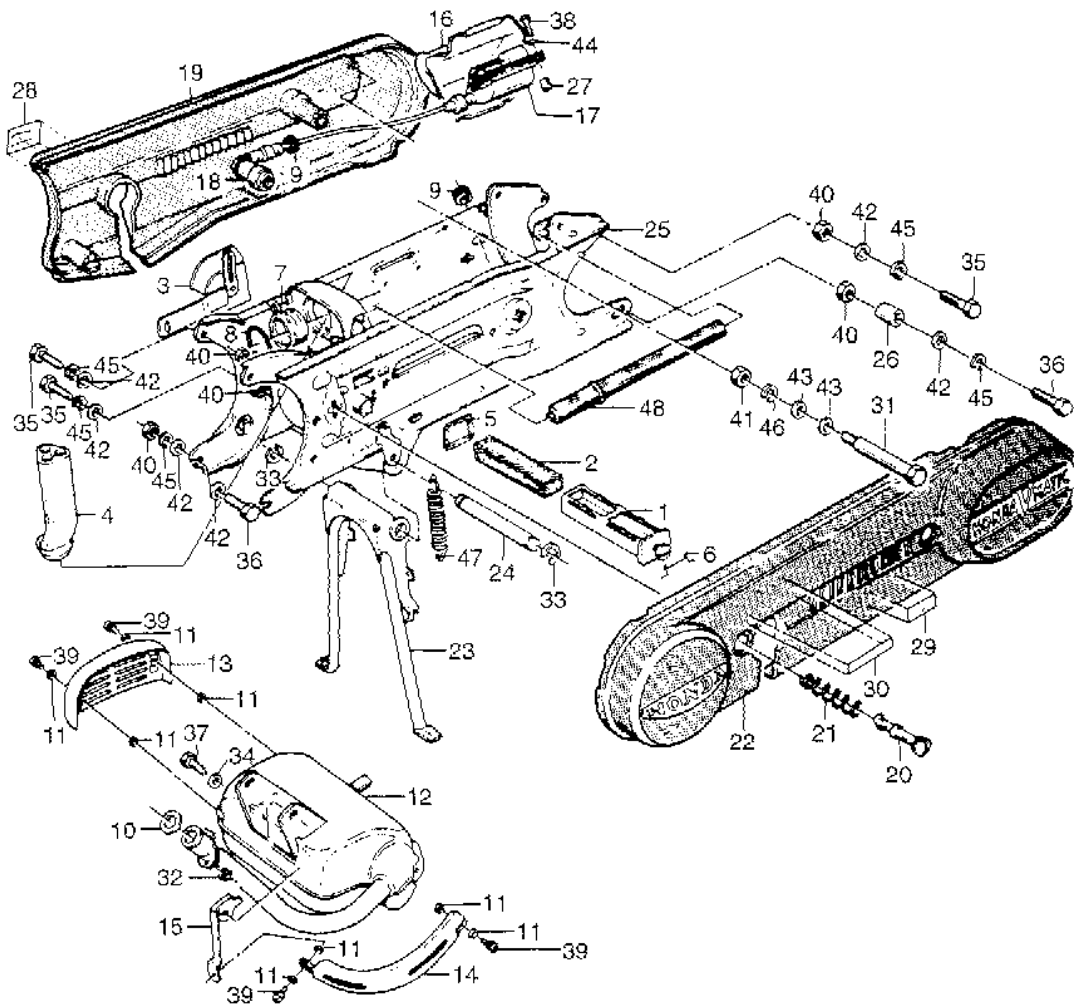
1	SEAT ASSY., DUAL	77100-148-412
2	SEAT ASSY.	77100-148-670
3	SPACER, SEAT HOLDER	77115-148-870
4	SEAT	77200-148-000
5	RUBBER B. SEAT	77205-148-000
6	CARRIER, RR. "R2"	81200-148-010C
6	CARRIER, RR. "Y2L"	81200-148-010Y
7	BUMPER, RR.	81400-148-870
8	BOX, TOOL	83500-148-020
9	SPRING, BOX TOOL	83501-148-000
10	DRIVER	83513-044-000
11	WRENCH, BOX (21)	83517-122-000
12	TOOL SET	89010-148-000
13	BAG, TOOL	89101-063-000
14	BOLT, HEX. (6X12)	92000-06012
14	BOLT, HEX. (6X12)	92101-06012
14	BOLT, HEX. (6X12)	92101-06012-0A
15	BOLT, HEX. (6X16)	92000-06016
15	BOLT, HEX. (6X16)	92000-06016
15	BOLT, HEX. (6X16)	92000-06016-0A
15	BOLT, HEX. (6X16)	92000-06016-0A
15	BOLT, HEX. (6X16)	92000-06016-0A
15	BOLT, HEX. (6X16)	92000-06016-1A
15	BOLT, HEX. (6X16)	92000-06016-1A
15	BOLT, HEX. (6X16)	92100-06016-0A
15	BOLT, HEX. (6X16)	92100-06016-0A
15	BOLT, HEX. (6X16)	92101-06016-0A
15	BOLT, HEX. (6X16)	92101-06016-0A
15	BOLT, HEX. (6X16)	92200-06016-0A
15	BOLT, HEX. (6X16)	92200-06016-0A
16	WASHER, PLAIN (6MM)	94101-06000
16	WASHER, PLAIN (6MM)	94101-06000
16	WASHER, PLAIN (6MM)	94101-06080
16	WASHER, PLAIN (6MM)	94101-06080
16	WASHER, PLAIN (6MM)	94101-06800
16	WASHER, PLAIN (6MM)	94101-06800
17	WASHER, SPRING (6MM)	94111-06000



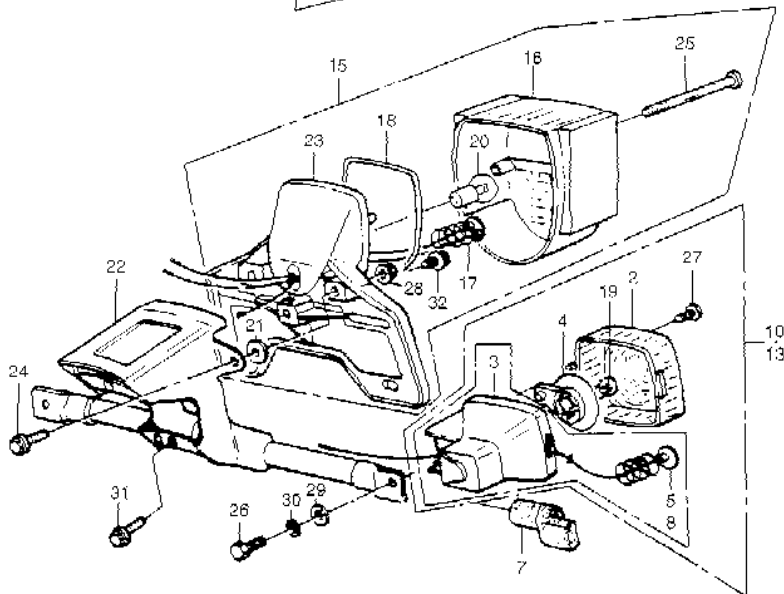
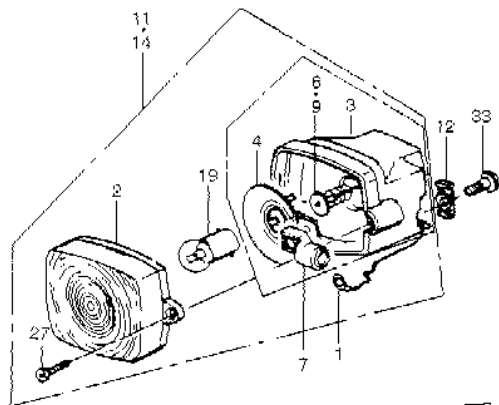
17	COIL, IGNITION	30530-148-003
17	COIL, IGNITION	30530-148-013
17	COIL, IGNITION	30500-GB7-671
18	CAP ASSY.	30700-155-153
18	CAP ASSY.	30700-155-163
19	COVER, PEDAL CHAIN	40510-148-010F
19	COVER, PEDAL CHAIN	40510-148-670
19	COVER *NH1*	40510-148-010E
20	PIN, COVER SET	40514-148-000
21	SPRING, COVER SET	40515-148-000
22	COVER, BELT	40520-148-720
22	COVER, BELT	40520-148-720F
22	COVER, BELT *NH1*	40520-148-720E
23	STAND, MAIN *NH1*	50500-148-670E
24	SHAFT, MAIN STAND	50501-148-000
25	SWINGARM	52100-148-020
25	SWINGARM	52100-148-020F
25	SWINGARM *NH1*	52100-148-020E
25	SWINGARM, RR. *NH1*	52100-GB7-670
26	COLLAR, RR. SWINGARM	52112-148-000
27	IGNITION COIL	84704-148-000
28	LABEL	87504-028-670
29	LABEL	87508-120-000
30	LABEL, COVER BELT	87516-148-670
30	LABEL, COVER BELT	87516-148-671
31	BOLT, ENGINE HANGER	90103-148-000
32	NUT, JOINT EX. PIPE	90105-148-000
33	E-RING (8MM)	90300-099-000
34	WASHER (10.5MM)	90481-705-000
34	WASHER (10.5MM)	90481-148-000
35	BOLT, HEX. (8X30)	92000-08030-04
35	BOLT, HEX. (8X30)	92101-08030-04
36	BOLT, HEX. (8X40)	92000-08040-04
36	BOLT, HEX. (8X40)	92101-08040-04
37	BOLT, HEX. (10X12)	92000-10012-04
37	BOLT, HEX. (10X12)	92101-10012-04
38	SCREW, PAN (6X32)	93500-06032-04
38	SCREW, PAN (5X16)	93500-05016-04
39	SCREW+WASHER (5X10)	93891-05010-07
40	NUT, HEX. (8MM)	94030-08000
40	NUT, HEX. (8MM)	94001-08000-0E
41	NUT, HEX. (10MM)	94001-10000-0E
42	WASHER, PLAIN (8MM)	94101-08000
43	WASHER, PLAIN (10MM)	94101-10000
44	WASHER, SPRING (6MM)	94111-06000
44	WASHER, SPRING (5MM)	94111-05000
45	WASHER, SPRING (8MM)	94111-08000
46	WASHER, SPRING (8MM)	94111-10000
47	SPRING D, MAIN STAND	95014-71402
48	PUMP ASSY.	89400-148-000
48	PUMP ASSY. *NH1*	89400-148-000E
48	PUMP ASSY. *NH0*	89400-148-000L



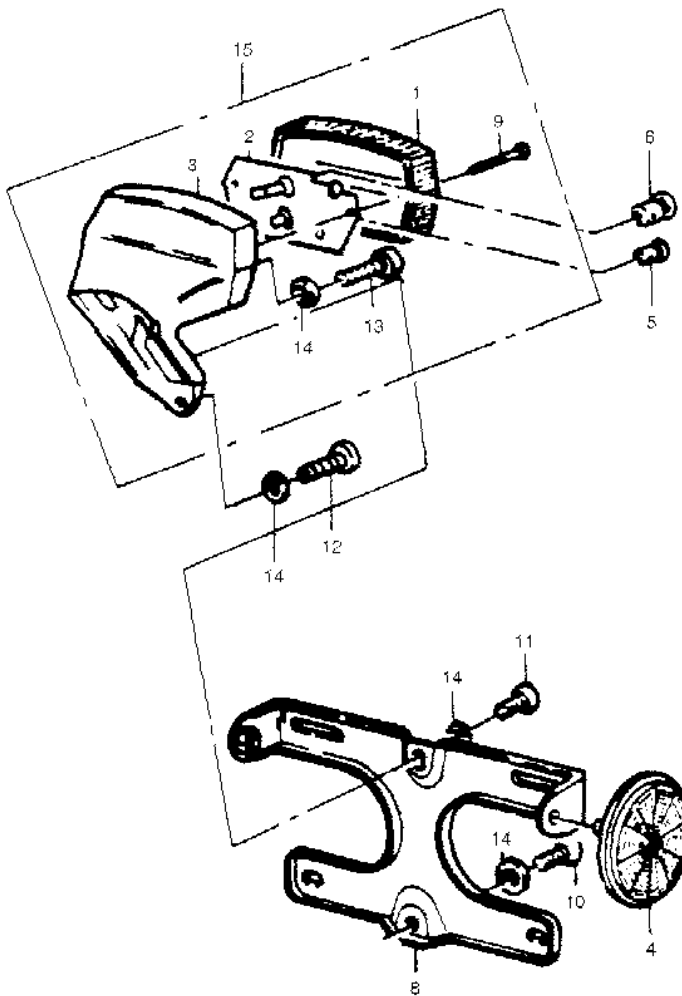
1	HOUSING, A/CLNR ELEM	17204-148-000
2	ELEMENT, AIR CLEANER	17205-148-000
2	ELEMENT, AIR CLEANER	17205-148-610
3	COVER, AIR CLEANER	17210-148-000
4	TUBE	17211-148-680
4	TUBE	17211-148-000
5	GASKET, ELEMENT CASE	17212-148-000
6	SPRING	17213-148-000
7	TUBE	17222-148-000
7	TUBE	17222-148-010
8	BAND A	17231-051-000
8	BAND, AIR CLEANER	17258-122-000
9	GRDMMET	17656-579-010
10	GASKET, EX. PIPE	18291-GT8-770
10	GASKET, EX. PIPE	18291-GT8-771
10	GASKET, EX. PIPE	18291-157-650
10	GASKET, EX. PIPE	18291-131-000
10	GASKET, EX. PIPE	18291-131-405
11	GASKET	18292-GY1-860
11	GASKET	18292-KS3-920
12	MUFFLER ASSY.	18300-148-771
13	MUFFLER ASSY.	18300-148-631
13	PROTECTOR, MUFFLER	18315-148-670
14	PROTECTOR, EX. PIPE	18316-148-670
15	STAY	18318-148-670
16	COVER, IGNITION COIL	30510-148-000
16	COVER, IGNITION COIL	30510-148-010
17	COIL, IGNITION	30530-148-003
17	COIL, IGNITION	30530-148-013
17	COIL, IGNITION	30500-GB7-671
18	CAP ASSY.	30700-155-153
18	CAP ASSY.	30700-155-163
19	COVER, PEDAL CHAIN	40510-148-010F
19	COVER, PEDAL CHAIN	40510-148-670
19	COVER "NH1"	40510-148-010E
20	PIN, COVER SET	40514-148-000
21	SPRING, COVER SET	40515-148-000
22	COVER, BELT	40520-148-720
22	COVER, BELT	40520-148-720F
22	COVER, BELT "NH1"	40520-148-720E
23	STAND, MAIN "NH1"	50500-148-670E
24	SHAFT, MAIN STAND	50501-148-000
25	SWINGARM	52100-148-020
25	SWINGARM	52100-148-020F
25	SWINGARM "NH1"	52100-148-020E
25	SWINGARM, RR. "NH1"	52100-GB7-670
26	COLLAR, RR. SWINGARM	52112-148-000
27	IGNITION COIL	84704-148-000
28	LABEL	87504-029-670
29	LABEL	87508-120-000
30	LABEL, COVER BELT	87516-148-670
30	LABEL, COVER BELT	87516-148-671
31	BOLT, ENGINE HANGER	90103-148-000



1	GROUND WIRE	32111-GB7-670
2	LENS, TURN SIGNAL	33402-195-013
2	LENS, TURN SIGNAL	33402-195-023
3	BASE, TURN SIGNAL	33403-195-003
3	BASE, TURN SIGNAL	33403-195-013
4	REFLECTOR	33404-174-771
5	WIRE, R. TURN SIGNAL	33410-459-672
6	WIRE, R. RR.	33610-437-710
7	COVER	33425-174-770
8	WIRE, L. TURN SIGNAL	33460-459-672
9	WIRE, L. RR.	33660-437-710
10	WIRE, L. RR.	33660-437-710
11	WINKER LIGHT ASSY	33600-174-405
11	TURN SIGNAL, R. RR.	33600-174-771
11	TURN SIGNAL ASSY.	33600-174-772
11	TURN SIGNAL, R. RR.	33600-174-779
11	TURN SIGNAL, L. RR.	33650-174-771
12	TURN SIGNAL, R. RR.	33600-KA8-406
12	TURN SIGNAL, R. RR.	33600-KA8-711
12	TURN SIGNAL, R. RR.	33600-KA8-719
12	TURN SIGNAL, R. RR.	33600-437-711
12	RUBBER	33600-437-771
12	TURN SIGNAL, L. RR.	33650-437-711
13	RUBBER	33612-459-670
14	TURN SIGNAL, R. RR.	33600-KA8-406
14	TURN SIGNAL, R. RR.	33600-KA8-711
14	TURN SIGNAL, R. RR.	33600-KA8-719
14	TURN SIGNAL, L. RR.	33650-437-711
15	TAILLIGHT ASSY.	33700-190-671
16	LENS, TAILLIGHT	33702-147-671
17	WIRE, TAILLIGHT	33705-147-671
18	GASKET	33709-074-671
19	BULB (6V17W)	34905-358-003
20	BULB (6V32/3CP)	34906-329-671
21	RUBBER B, RR. FENDER	80113-099-000
22	BRKT, LICENSE PLATE	84701-190-671
23	BRKT, LICENSE PLATE	84701-190-671
24	BOLT, FLANGE (6MM)	90111-162-000
25	SCREW, TAP (4X60)	90147-147-671
26	BOLT, HEX. (5X12)	92000-05012-0A
26	BOLT, HEX. (5X12)	92101-05012-0A
26	BOLT, HEX. (5X12)	92101-05012-0G
27	SCREW, TAP (4X16)	93901-14480
28	NUT, FLANGE (6MM)	94050-06080
29	WASHER, PLAIN (5MM)	94101-05000
30	WASHER, SPRING (5MM)	94111-05000
31	BOLT, FLANGE (6X10)	95700-06010-00
31	BOLT, FLANGE (6X10)	95701-06010-00
32	BOLT, FLANGE (6X16)	95700-06016-07
32	BOLT, FLANGE (6X16)	95701-06016-07
33	BOLT, SETTING	90115-459-770



-	BASE, TAILLIGHT	33705-148-670
1	LENS, TAILLIGHT	33703-148-670
2	SOCKET, TAILLIGHT	33704-148-670
3	BODY, TAILLIGHT	33705-148-770
3	BODY, TAILLIGHT	33720-GB7-640
4	REFLECTOR, RR.	33741-081-601
4	REFLECTOR, RR.	33741-HB9-641
5	BULB, LAMP (6V) (5W)	34902-148-610
5	BULB (6V5W) (5006)	34905-383-611
6	BULB (6V10W) (5001)	34905-148-790
8	BRKT, TAILLIGHT SET	84701-GB7-670
8	BRACKET "NHT"	84701-GB7-670Z
9	SCREW, TAPPING (4mm)	90118-148-000
10	BOLT, HEX. (6X25)	92000-06025
10	BOLT, HEX. (6X25)	92101-06025-0A
11	SCREW, PAN (6X10)	93500-06010
12	SCREW, PAN (6X14)	93500-06014
12	SCREW, PAN (6X14)	93500-06014-0A
12	SCREW, PAN (6X14)	93500-06014-1A
12	SCREW, PAN (6X15)	93500-06015
12	SCREW, PAN (6X15)	93500-06015-0A
13	SCREW, PAN (6X32)	93500-06032-0A
14	WASHER, PLAIN (6MM)	94101-06000
14	WASHER, PLAIN (6MM)	94101-06080
14	WASHER, PLAIN (6MM)	94101-06800
15	TAILLIGHT UNIT	33710-148-670



1	CASE, TRANSMISSION	21210-148-010
2	COVER, IGNITION	21300-148-010
3	GASKET, TRANS CVR	21395-148-000
3	GASKET, TRANS CVR	21395-148-010
3	GASKET, TRANS CVR	21395-148-306
4	SHAFT, DRIVE	23411-148-701
5	COUNTERSHAFT	23420-148-000
6	SHAFT, FINAL	23431-148-000
7	GEAR, FINAL	23432-148-000
8	COLLAR, FINAL SHAFT	23433-155-010
9	SHAFT, SHIFT FORK	24210-148-000
10	SEAT, SPRING	24221-148-000
11	SPRING, CHANGE	24222-148-000
12	LEVER, SHIFT	24411-148-000
13	SPRING, SHIFT LEVER	24412-148-000
14	WASHER (10MM)	90412-329-000
15	WASHER (17MM)	90451-703-000
16	WASHER (10.2MM)	90481-001-020
18	OIL SEAL (24X34X5.5)	91203-148-003
19	O-RING (6.8X1.9)	91301-027-000
19	O-RING (6.8X1.9)	91306-PJ4-000
19	O-RING B (6.8X1.9)	91310-MC7-003
20	O-RING (16X1.9)	91306-329-000
21	BOLT, HEX. (10X12)	92000-10012-0A
21	BOLT, HEX. (10X12)	92101-10012-0A
22	SCREW, PAN (6X25)	93500-06025
23	SCREW, PAN (6X35)	93500-06035
23	SCREW, PAN (6X35)	93500-06035-0A
24	NUT, HEX. (6MM)	94001-06000-0S
24	NUT, HEX. (6MM)	94001-06200-0S
25	WASHER, SPRING (6MM)	94111-06000
26	DOWEL PIN (10X16)	94301-10160
27	BEARING (6201)	96100-62010-00
28	BEARING (6203)	96100-62033
28	BEARING (6203)	96100-62033-00

