



PREMIUM QUALITY



MADE IN ITALY

20
23



TORCHES & WELDING ACCESSORIES
MIG / MAG - TIG

GENERAL CATALOGUE

www.delfoweld.com



QUALITY & DESIGN
 ALWAYS OUR
 HISTORY

PREMIUM QUALITY
 MADE IN ITALY

ABOUT US

"DELFO S.r.l." it's a new name proposed by a board that started operating in this sector in 1973 founding OCIM S.r.l. (first Italian manufacturer of Mig-Tig torches) The aim of the new company will be the development of new products in order to maintain and further overcome the quality standard that has always distinguished us.

PRODUCTION

Thanks to the passion and experience gained over 45 years in welding market, we can define Delfo as a leader in the design and construction of special torches, both Air and Water cooled, with unique characteristics that meet the welder's needs.

DISTRIBUTION

Delfo's products are distributed through a dense network of specialized welding dealers.

INNOVATION

Innovation and quality are the foundations on which the company is focused, to achieve these objectives Delfo S.r.l. invests significant human and financial resources in the development of new products in order to offer advanced technical solutions.



TABLE OF CONTENTS

DELFO MIG

AIR - LIQUID COOLED TORCHES

DM. 2	_____	6
DM. 3	_____	7
DM. 4	_____	8
TW. 1	_____	9
TW. 2	_____	19
TW. 4	_____	11
DM. 27	NEW _____	13
DM. 30	_____	14
DM. 50	_____	15
DM. 55	_____	17
DM. 65	NEW _____	18

DELFOAUTOMIG

AIR - LIQUID COOLED TORCHES

AM.3	NEW _____	20
AM.30	NEW _____	21
AM.50	NEW _____	22
AM.55	NEW _____	23
REPLACEMENT & ACCESSORIES MIG	_____	pag. 26 - pag. 27

DELFO TIG

AIR - LIQUID COOLED TORCHES

DT. 9 / 9V	_____	29
DT. 17 / 17V	_____	30
DT. 26 / 26V	_____	31
DT. 18	_____	33
DT. 20	_____	34
DT.24 W	NEW _____	35
REPLACEMENT & ACCESSORIES TIG	_____	from pag. 36 to pag. 41

FOLLOW US ON



DELFO MIG - AIR

AIR COOLED TORCHES

BEING DIFFERENT

PREMIUM QUALITY

MADE IN ITALY

- » New ergonomic handle with "Grip" insert for best accessibility - optimum balance.
- » New gas diffusers with metallic protection, for greater durability and heat resistance.
- » New ball joint with optimum movement radius.



DM.2 - DELFOMIG - AIR

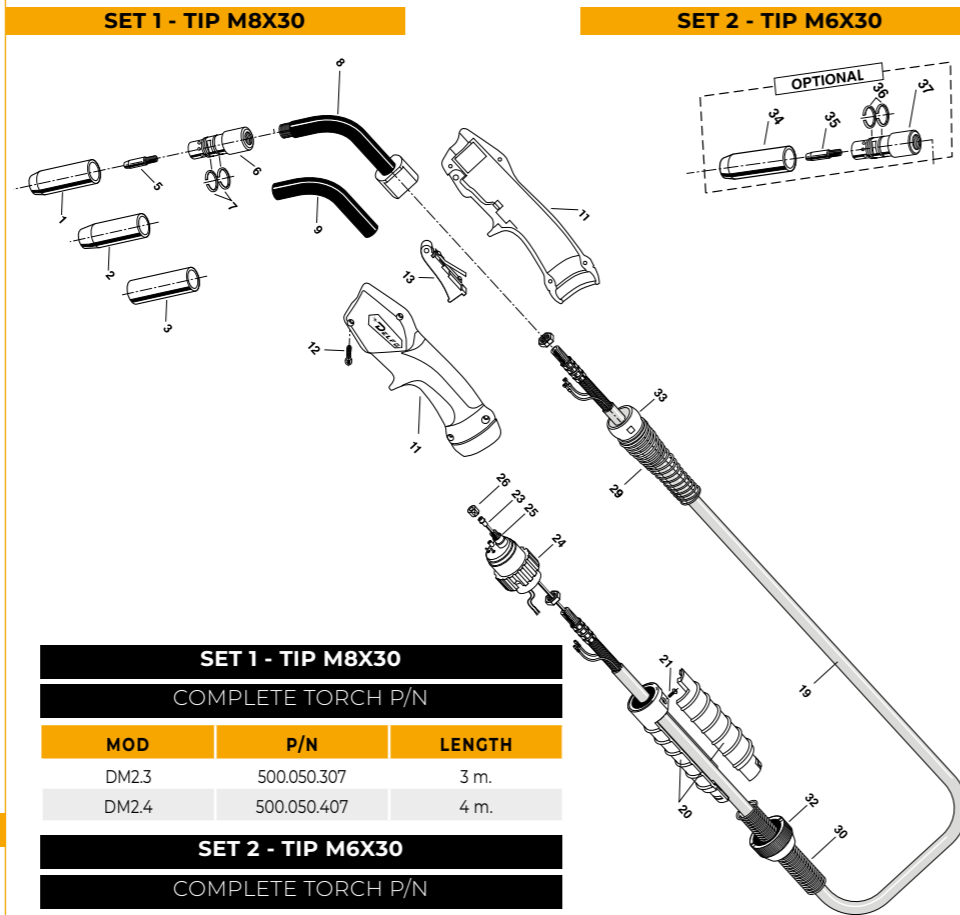
AIR COOLED TORCHES



DM.2
DELFOMIG
AIR

TECHNICAL DATA

Technical data: (EN60974-7)
Rating CO²: 260A.
Rating mixed Gas (M21): 200 A.
Duty Cycle: 60%
Wire Size: Ø 0,8-1,2 mm



SET 1 - TIP M8X30 COMPLETE TORCH P/N

MOD	P/N	LENGTH
DM2.3	500.050.307	3 m.
DM2.4	500.050.407	4 m.

SET 2 - TIP M6X30 COMPLETE TORCH P/N

MOD	P/N	LENGTH
DM2.3	500.040.307	3 m.
DM2.4	500.040.407	4 m.

REPLACEMENT PARTS							
POS.	DESCRIPTION	P/N	BAG	POS.	DESCRIPTION	P/N	BAG
1*	Nozzle Stnd. Øi. 15	179.105.110	5	23*	4,0 m. Liner for wires Ø 1,0/1,2	130.050.402	1
2	Tapered Nozzle Øi. 12	179.109.107	5	23	3,0 m. Liner for Al. wires Ø 0,8/1,0 Teflon	134.110.302	1
3	Cylindric Nozzle Øi. 18	179.104.105	5	23	4,0 m. Liner for Al. wires Ø 0,8/1,0 Teflon	134.110.402	1
5	Contact Tip M8x30 CU Ø 0,8	147.010.308	25	23	3,0 m. Liner for Al. wires Ø 1,0/1,2 Teflon	134.060.302	1
5*	Contact Tip M8x30 CU Ø 1,0	147.010.310	25	23	4,0 m. Liner for Al. wires Ø 1,0/1,2 Teflon	134.060.402	1
5	Contact Tip M8x30 CU Ø 1,2	147.010.312	25	23	3,0 m. Liner for Al. wires Ø 0,8/1,0 Carbo	134.030.402	1
5	Contact Tip M8x30 CU-CR-ZR Ø 0,8	147.020.308	25	23	4,0 m. Liner for Al. wires Ø 1,2/1,6 Carbo	134.090.402	1
5	Contact Tip M8x30 CU-CR-ZR Ø 1,0	147.020.310	25	24	Locking ring	127.102.102	5
5	Contact Tip M8x30 CU-CR-ZR Ø 1,2	147.020.312	25	25	Euro Connector	142.105.107	1
6	Gas Diffuser	118.102.111	5	26	Liner Nut	117.101.101	10
7	Elastic Ring	101.101.104	20	29	Spring (handle side)	141.106.116	1
8	Torch body with insulator	516.103.005	1	30	Spring (connector side)	141.106.107	1
9	Wukon insulating tube	140.104.130	1	32	Connector locking ring	127.105.101	1
11	Handle "DM" series	537.100.111	1	33	Knuckle joint	156.102.109	1
12	Handle case screw	181.103.108	20	34A	Nozzle Stnd. Øi. 13	179.105.103	5
13	Complete bladeswitch	146.101.112	5	34B	Tapered Nozzle Øi. 11	179.109.102	5
19	Complete coaxial cable 3m.	508.250.302	1	34C	Cylindric Nozzle Øi. 16	179.104.102	5
19	Complete coaxial cable 4m.	508.250.402	1	35	Contact Tip M6x30 CU Ø 0,8	147.010.208	25
20	Back cable support	156.101.103	1	35	Contact Tip M6x30 CU Ø 1,0	147.010.210	25
21	Back cable support screw	181.106.101	20	35	Contact Tip M6x30 CU-CR-ZR Ø 0,8	147.020.208	25
23	3,0 m. Liner for wires Ø 0,6/1,0	130.020.302	1	35	Contact Tip M6x30 CU-CR-ZR Ø 1,0	147.020.210	25
23	4,0 m. Liner for wires Ø 0,6/1,0	130.020.402	1	36	Elastic Ring	101.101.102	20
23*	3,0 m. Liner for wires Ø 1,0/1,2	130.050.302	1	37	Gas Diffuser	118.102.117	5

(*) Standard

(*) Standard

DM.3 - DELFOMIG - AIR

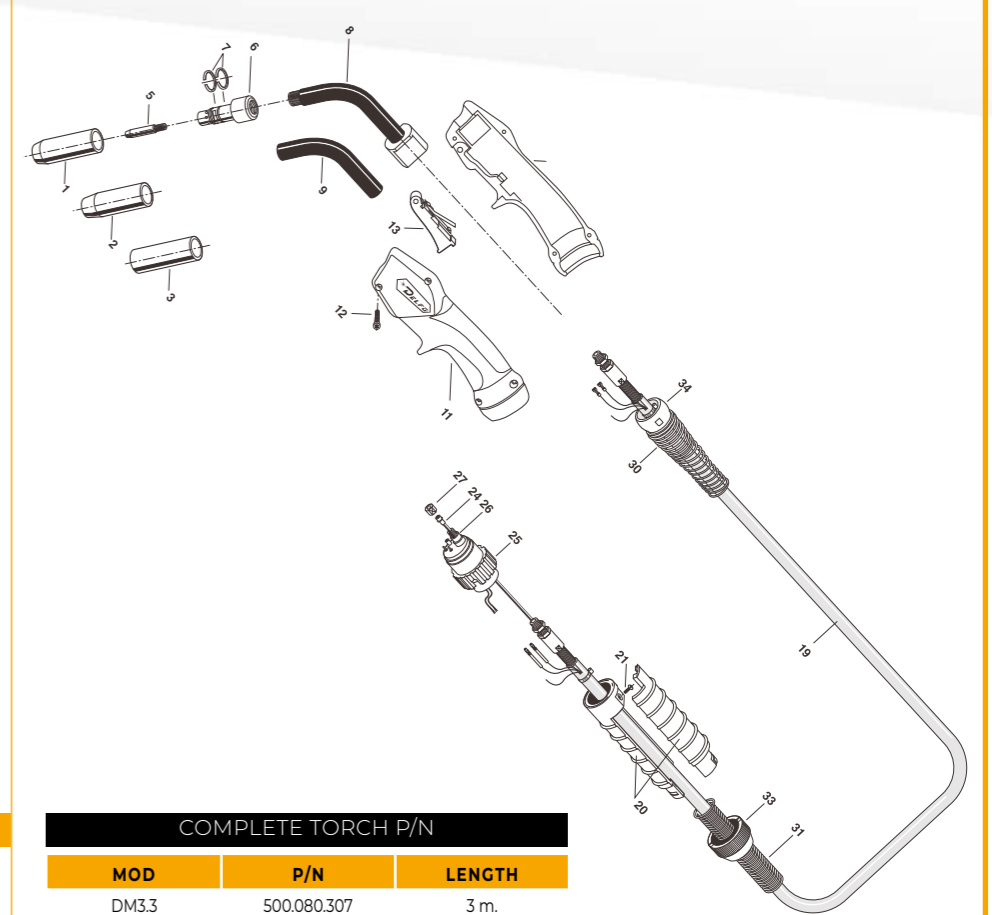
AIR COOLED TORCHES



DM.3
DELFOMIG
AIR

TECHNICAL DATA

Technical data: (EN60974-7)
Rating CO²: 340A.
Rating mixed Gas (M21): 290 A.
Duty Cycle: 60%
Wire Size: Ø 0,8-1,2 mm



COMPLETE TORCH P/N

MOD	P/N	LENGTH
DM3.3	500.080.307	3 m.
DM3.4	500.080.407	4 m.

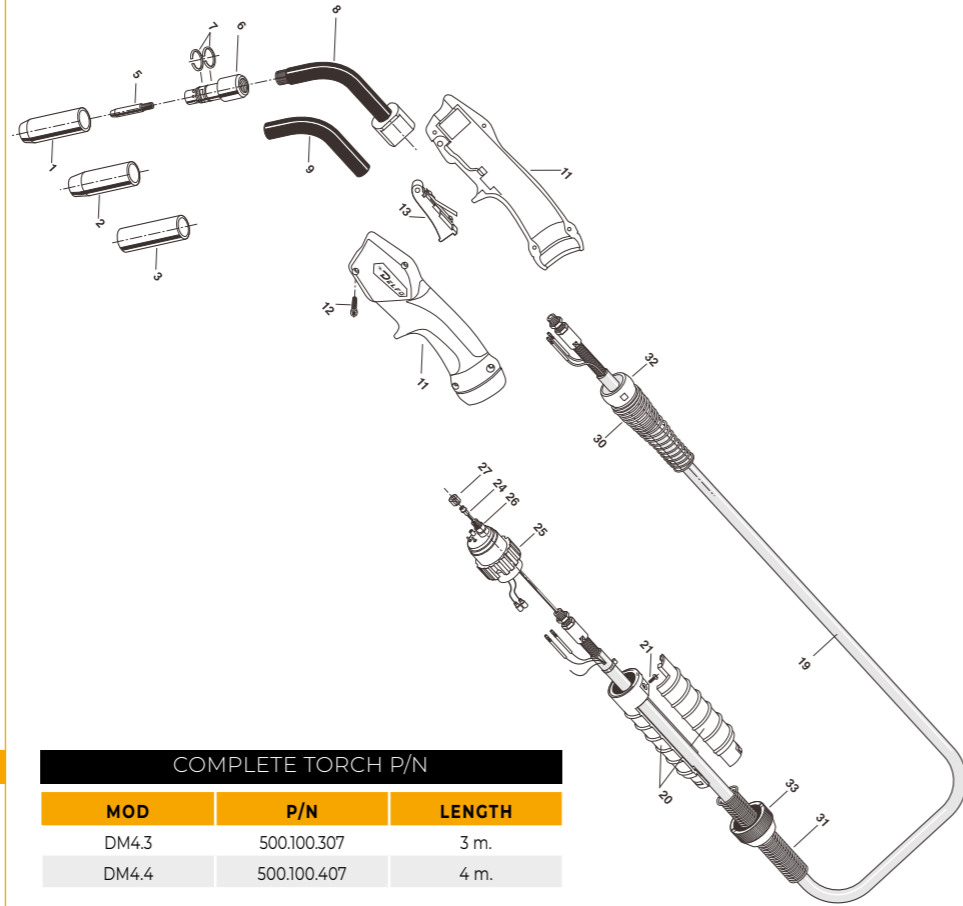
REPLACEMENT PARTS							
POS.	DESCRIPTION	P/N	BAG	POS.	DESCRIPTION	P/N	BAG
1*	Nozzle Stnd. Øi. 16	179.105.115	5	20	Back cable support	156.101.103	1
2	Tapered Nozzle Øi. 13	179.109.124	5	21	Back cable support screw	181.106.101	20
3	Cylindric Nozzle Øi. 20	179.104.112	5	24	3,0 m. Liner for wires Ø 0,6/1,0	130.020.302	1
5	Contact Tip M8x40 CU Ø 0,8	147.010.108	25	24	4,0 m. Liner for wires Ø 0,6/1,0	130.020.402	1
5*	Contact Tip M8x40 CU Ø 1,0	147.010.110	25	24*	3,0 m. Liner for wires Ø 1,0/1,2	130.050.302	1
5	Contact Tip M8x40 CU Ø 1,2	147.010.112	25	24*	4,0 m. Liner for wires Ø 1,0/1,2	130.050.402	1
5	Contact Tip M8x40 CU-CR-ZR Ø 0,8	147.020.108	25	24	3,0 m. Liner for Al. wires Ø 1,0/1,2 Teflon	134.060.302	1
5	Contact Tip M8x40 CU-CR-ZR Ø 1,0	147.020.110	25	24	4,0 m. Liner for Al. wires Ø 1,0/1,2 Teflon	134.060.402	1
5	Contact Tip M8x40 CU-CR-ZR Ø 1,2	147.020.112	25	24	3,0 m. Liner for Al. wires Ø 0,8/1,0 Carbo	134.030.402	1
6	Gas Diffuser	118.102.119	5	24	4,0 m. Liner for Al. wires Ø 1,2/1,6 Carbo	134.090.402	1
7	Elastic Ring	101.101.105	20	25	Locking ring	127.102.102	5
8	Torch body with insulator	516.103.006	1	26	Euro Connector	142.105.113	1
9	Wukon insulating tube	140.104.204	1	27	Liner Nut	117.101.101	10
11	Handle "DM" series	537.100.111	1	30	Spring (handle side)	141.106.116	1
12	Handle case screw	181.103.108	20	31	Spring (connector side)	141.106.107	1
13	Complete bladeswitch	146.101.112	5	33	Connector locking ring	127.105.101	1
19	Complete coaxial cable 3m.	508.350.302	1	34	Knuckle joint	156.102.109	1
19	Complete coaxial cable 4m.	508.350.402	1				

(*) Standard

(*) Standard

DM.4 - DELFOMIG - AIR

AIR COOLED TORCHES



DM.4 DELFOMIG AIR

TECHNICAL DATA

Technical data: (EN60974-7)
Rating CO²: 400A.
Rating mixed Gas (M21): 350 A.
Duty Cycle: 60%
Wire Size: Ø 0,8-1,6 mm

COMPLETE TORCH P/N

MOD	P/N	LENGTH
DM4.3	500.100.307	3 m.
DM4.4	500.100.407	4 m.

REPLACEMENT PARTS

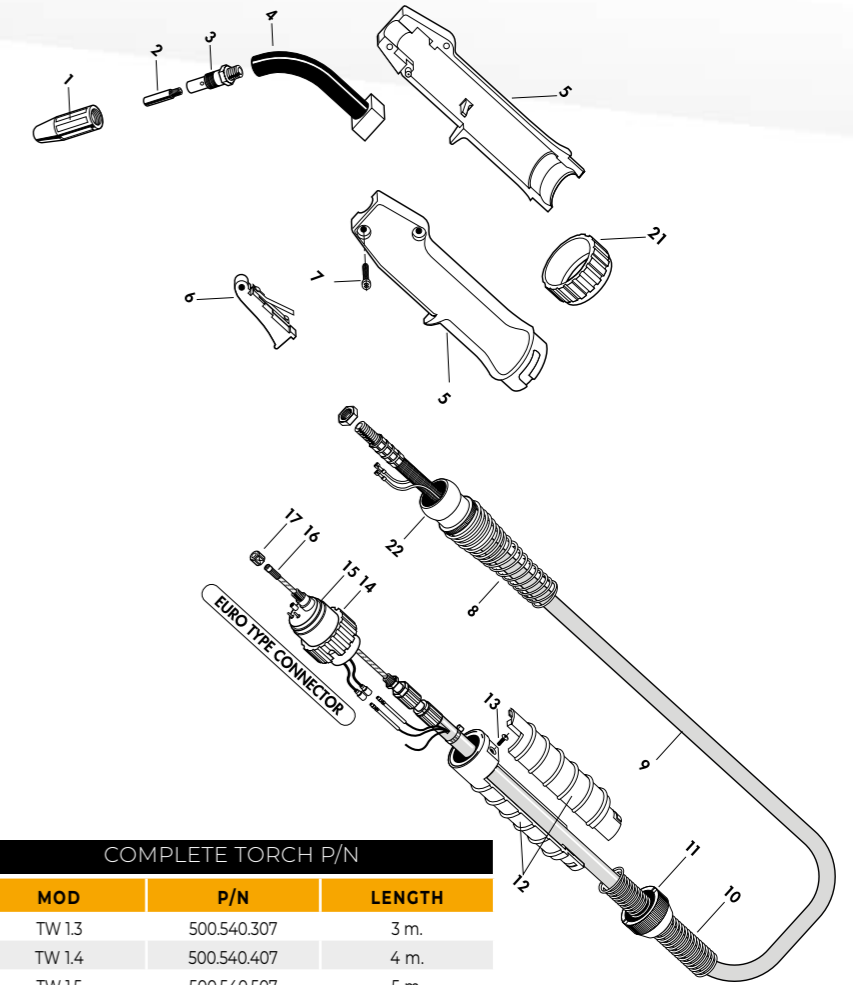
POS.	DESCRIPTION	P/N	BAG	POS.	DESCRIPTION	P/N	BAG
1*	Nozzle Stnd. Øi. 17	179.105.113	5	19	Complete coaxial cable 3m.	508.500.302	1
2	Tapered Nozzle Øi. 16	179.109.112	5	19	Complete coaxial cable 4m.	508.500.402	1
3	Cylindric Nozzle Øi. 22	179.104.108	5	20	Back cable support	156.101.103	1
5	Contact Tip M8x40 CU ø 0,8	147.010.108	25	21	Back cable support screw	181.106.101	20
5	Contact Tip M8x40 CU ø 1,0	147.010.110	25	24	3,0 m. Liner for wires Ø 1,0/1,2	130.030.302	1
5*	Contact Tip M8x40 CU ø 1,2	147.010.112	25	24	4,0 m. Liner for wires Ø 1,0/1,2	130.030.402	1
5	Contact Tip M8x40 CU ø 1,4	147.010.114	25	24*	3,0 m. Liner for wires Ø 1,2/1,6	130.040.302	1
5	Contact Tip M8x40 CU ø 1,6	147.010.116	25	24*	4,0 m. Liner for wires Ø 1,2/1,6	130.040.402	1
5	Contact Tip M8x40 CU-CR-ZR ø 0,8	147.020.108	25	24	3,0 m. Liner for Al. wires Ø 1,0/1,2 Teflon	134.060.302	1
5	Contact Tip M8x40 CU-CR-ZR ø 1,0	147.020.110	25	24	4,0 m. Liner for Al. wires Ø 1,0/1,2 Teflon	134.060.402	1
5	Contact Tip M8x40 CU-CR-ZR ø 1,2	147.020.112	25	24	3,0 m. Liner for Al. wires Ø 1,2/1,6 Teflon	134.070.302	1
5	Contact Tip M8x40 CU-CR-ZR ø 1,4	147.020.114	25	24	4,0 m. Liner for Al. wires Ø 1,2/1,6 Teflon	130.070.402	1
5	Contact Tip M8x40 CU-CR-ZR ø 1,6	147.020.116	25	24	3,0 m. Liner for Al. wires Ø 0,8/1,0 Carbo	134.030.402	1
6	Gas Diffuser	118.102.122	5	24	4,0 m. Liner for Al. wires Ø 1,2/1,6 Carbo	134.090.402	1
7	Elastic Ring	101.101.103	20	25	Locking ring	127.102.102	5
8	Torch body with insulator	516.103.007	1	26	Euro Connector	142.105.113	1
9	Wukon insulating tube	140.104.205	1	27	Liner Nut	117.101.101	10
11	Handle "DM" series	537.100.111	1	30	Spring (handle side)	141.106.116	1
12	Handle case screw	181.103.108	20	31	Spring (connector side)	141.106.107	1
13	Complete bladeswitch	146.101.112	5	32	Knuckle joint	127.105.101	1
				33	Connector locking ring	156.102.109	1

(* Standard

(* Standard

TW.1 - DELFOMIG - AIR

AIR COOLED TORCHES
WITH TWECO® COMPATIBLE CONSUMABLES



TW.1 DELFOMIG AIR

TECHNICAL DATA

Technical data: (EN60974-7)
Rating CO²: 220 A.
Rating mixed Gas (M21): 160 A.
Duty Cycle: 60%
Wire Size: Ø 0,8-1,0 mm

COMPLETE TORCH P/N

MOD	P/N	LENGTH
TW 1.3	500.540.307	3 m.
TW 1.4	500.540.407	4 m.
TW 1.5	500.540.507	5 m.

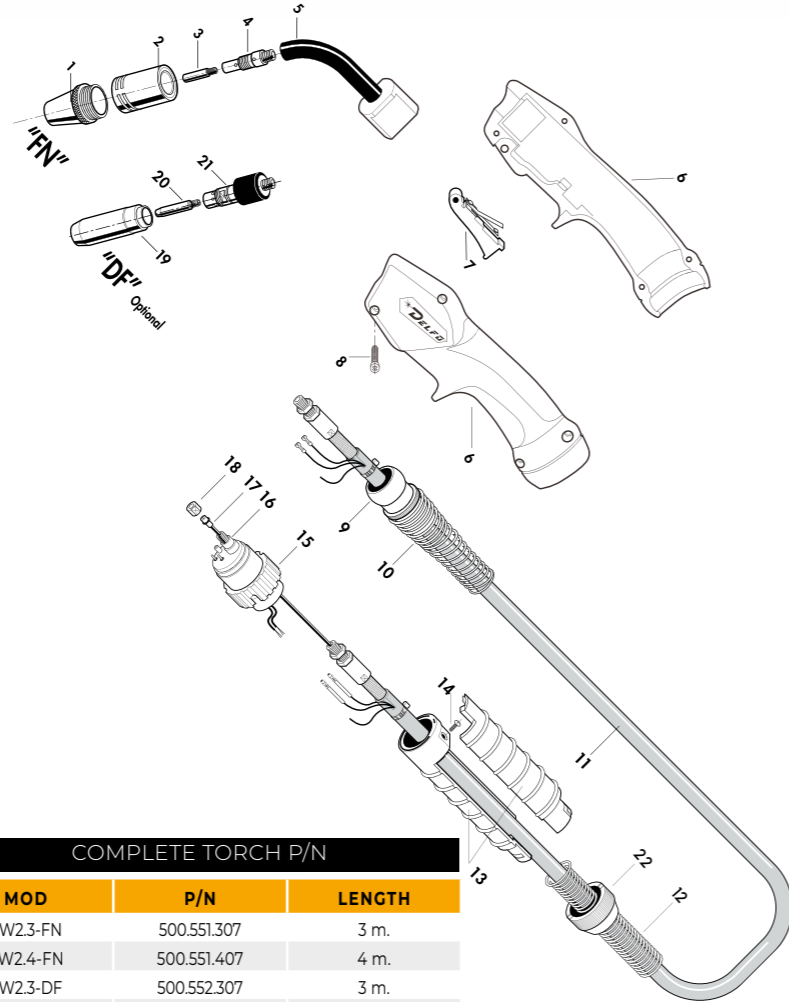
REPLACEMENT PARTS

POS.	DESCRIPTION	P/N	BAG	POS.	DESCRIPTION	P/N	BAG
1*	Nozzle TW1 Øi.12,7	21-50	10	16*	4,5 m. Liner for wires Ø 0,8/1,2	42-4045-15	1
2	Contact Tip CU ø 0,8	11-30	20	17	Liner Nut	117.101.501	10
2	Contact Tip CU ø 0,9	11-35	20	21	Handle locking ring	127.108.101	1
2*	Contact Tip CU ø 1,0	11-40	20	22	Knuckle joint	156.102.106	1
3	Gas Diffuser	51	10				
4	Torch body with insulator	116.103.505	1				
5	Handle	137.100.110	1				
6	Complete bladeswitch	146.101.112	5				
7	Handle case screw	181.103.105	20				
8	Spring (handle side)	141.106.110	1				
9	Complete coaxial cable 3m.	108.250.302	1				
9	Complete coaxial cable 4m.	108.250.402	1				
9	Complete coaxial cable 5m.	108.250.502	1				
10	Spring (connector side)	141.106.107	1				
11	Connector locking ring	127.105.101	1				
12	Back cable support	156.101.103	1				
13	Back cable support screw	181.106.101	20				
14	Locking ring	127.102.102	5				
15	Euro Connector	142.105.501	1				
15	Locking ring	127.102.102	5				

(* Standard

TW.2 - DELFOMIG - AIR

AIR COOLED TORCHES
WITH TWECO® COMPATIBLE CONSUMABLES



TW.2 DELFOMIG AIR

TECHNICAL DATA

Technical data: (EN60974-7)
Rating CO²: 340 A.
Rating mixed Gas (M21): 290 A.
Duty Cycle: 60%
Wire Size: Ø 0,8-1,2 mm

COMPLETE TORCH P/N		
MOD	P/N	LENGTH
TW2.3-FN	500.551.307	3 m.
TW2.4-FN	500.551.407	4 m.
TW2.3-DF	500.552.307	3 m.
TW2.4-DF	500.552.407	4 m.

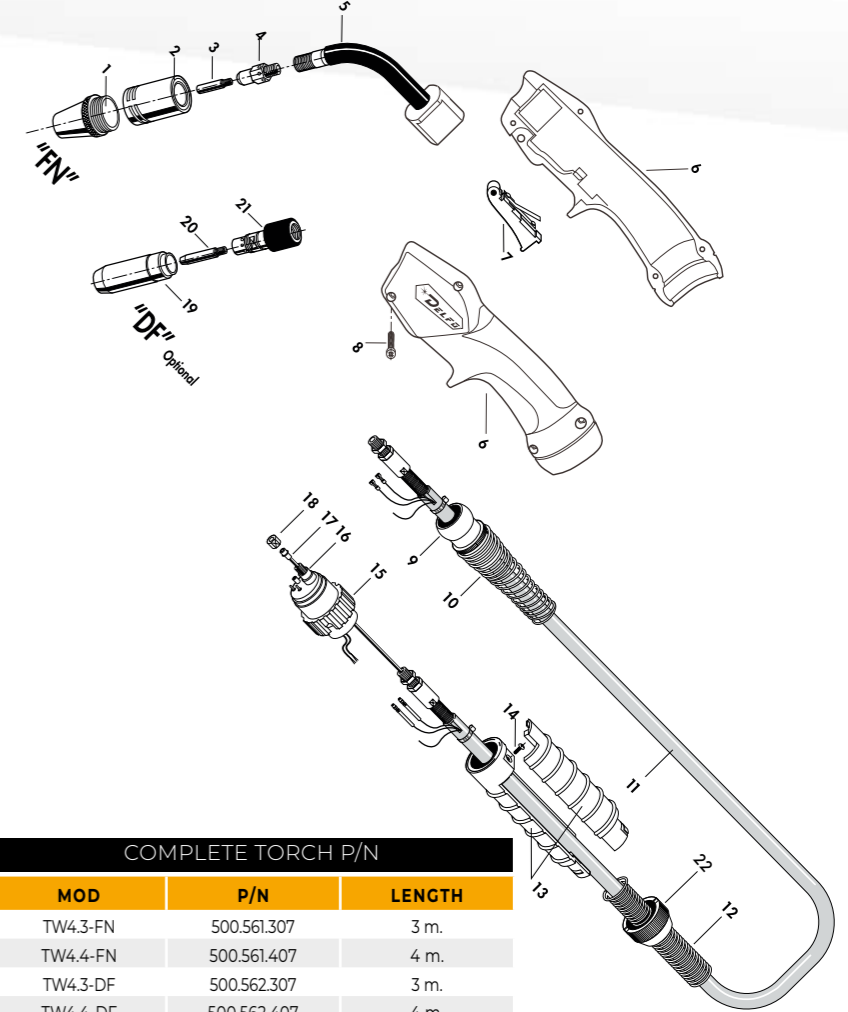
REPLACEMENT PARTS

POS.	DESCRIPTION	P/N	BAG.	POS.	DESCRIPTION	P/N	BAG.
1*	Conic nozzle Øi. 16	24CT-62-S	2	16	Euro Connector	142.105.502	1
2	Nozzle insulator	34CT	2	17	4,5 m. Liner for wires Ø 0,8/1,2	42-4045-15	1
3	Contact Tip CU Ø 0,8	14H-35	25	18	Liner Nut	117.101.501	10
3	Contact Tip CU Ø 1,0	14H-40	25	19	Nozzle Stnd. Øi. 15	179.105.114	5
3*	Contact Tip CU Ø 1,2	14H-45	25	19	Tapered Nozzle Øi. 12	179.109.118	5
4	Gas Diffuser	52FN	5	20	Contact Tip M8x40 CU Ø 0,8	147.010.108	25
5	Torch body with insulator	516.103.506	1	20	Contact Tip M8x40 CU Ø 1,0	147.010.110	25
6	Handle "DM" series	537.100.111	1	20	Contact Tip M8x40 CU Ø 1,2	147.010.112	25
7	Complete bladeswitch	146.101.112	5	20	Contact Tip M8x40 CU-CR-ZR Ø 0,8	147.020.108	25
8	Handle case screw	181.103.108	20	20	Contact Tip M8x40 CU-CR-ZR Ø 1,0	147.020.110	25
9	Knuckle joint	156.102.109	1	20	Contact Tip M8x40 CU-CR-ZR Ø 1,2	147.020.112	25
10	Spring (handle side)	141.106.116	1	21	Gas Diffuser	118.102.510	5
11	Complete coaxial cable 3m.	508.350.302	1	22	Connector locking ring	118.102.510	5
11	Complete coaxial cable 4m.	508.350.402	1				
12	Spring (connector side)	141.106.107	1				
13	Back cable support	156.101.103	1				
14	Back cable support screw	181.106.101	20				
15	Locking ring	127.102.102	5				

(*) Standard

TW.4 - DELFOMIG - AIR

AIR COOLED TORCHES
WITH TWECO® COMPATIBLE CONSUMABLES



TW.4 DELFOMIG AIR

TECHNICAL DATA

Technical data: (EN60974-7)
Rating CO²: 340 A.
Rating mixed Gas (M21): 290 A.
Duty Cycle: 60%
Wire Size: Ø 1,0-1,6 mm

COMPLETE TORCH P/N		
MOD	P/N	LENGTH
TW4.3-FN	500.561.307	3 m.
TW4.4-FN	500.561.407	4 m.
TW4.3-DF	500.562.307	3 m.
TW4.4-DF	500.562.407	4 m.

REPLACEMENT PARTS

POS.	DESCRIPTION	P/N	BAG	POS.	DESCRIPTION	P/N	BAG
1*	Conic nozzle Øi. 16	24CT-62-S	2	16	Euro Connector	142.105.502	1
2	Nozzle insulator	34CT	2	17	4,5 m. Liner for wires Ø 0,8/1,2	44-3545-15	1
3	Contact Tip CU Ø 0,8	14H-35	25	17	4,5 m. Liner for wires Ø 1,2/1,6	44-116-15	1
3	Contact Tip CU Ø 1,0	14H-40	25	18	Liner Nut	117.101.501	10
3*	Contact Tip CU Ø 1,2	14H-45	25	19	Nozzle Stnd. Øi. 17	179.105.121	5
3	Contact Tip CU Ø 1,3	14H-52	25	19	Tapered Nozzle Øi. 16	179.109.110	5
3	Contact Tip CU Ø 1,6	14H-116	25	20	Contact Tip M8x40 CU Ø 0,8	147.010.108	25
4	Gas Diffuser	54A	5	20	Contact Tip M8x40 CU Ø 1,0	147.010.110	25
5	Torch body with insulator	516.103.507	1	20	Contact Tip M8x40 CU Ø 1,2	147.010.112	25
6	Handle "DM" series	537.100.111	1	20	Contact Tip M8x40 CU Ø 1,6	147.010.116	25
7	Complete bladeswitch	146.101.112	5	20	Contact Tip M8x40 CU-CR-ZR Ø 0,8	147.020.108	25
8	Handle case screw	181.103.108	20	20	Contact Tip M8x40 CU-CR-ZR Ø 1,0	147.020.110	25
9	Knuckle joint	156.102.109	1	20	Contact Tip M8x40 CU-CR-ZR Ø 1,2	147.020.112	25
10	Spring (handle side)	141.106.116	1	20	Contact Tip M8x40 CU-CR-ZR Ø 1,6	147.020.116	25
11	Complete coaxial cable 3m.	508.500.302	1	21	Gas Diffuser	118.102.511	5
11	Complete coaxial cable 4m.	508.500.402	1	22	Connector locking ring	118.102.510	5
12	Spring (connector side)	141.106.107	1				
13	Back cable support	156.101.103	1				
14	Back cable support screw	181.106.101	20				
15	Locking ring	127.102.102	5				

(*) Standard

DELFO MIG - LIQUID

LIQUID COOLED TORCHES

BEING DIFFERENT

PREMIUM QUALITY
MADE IN ITALY

60%

New liquid cooling system increased by 60%

- » New ergonomic handle with "Grip" insert for best accessibility - optimum balance.
- » New nozzle-holder with mettalic protection, for greater durability and heat resistance.
- » New ball joint with optimum movement radius.



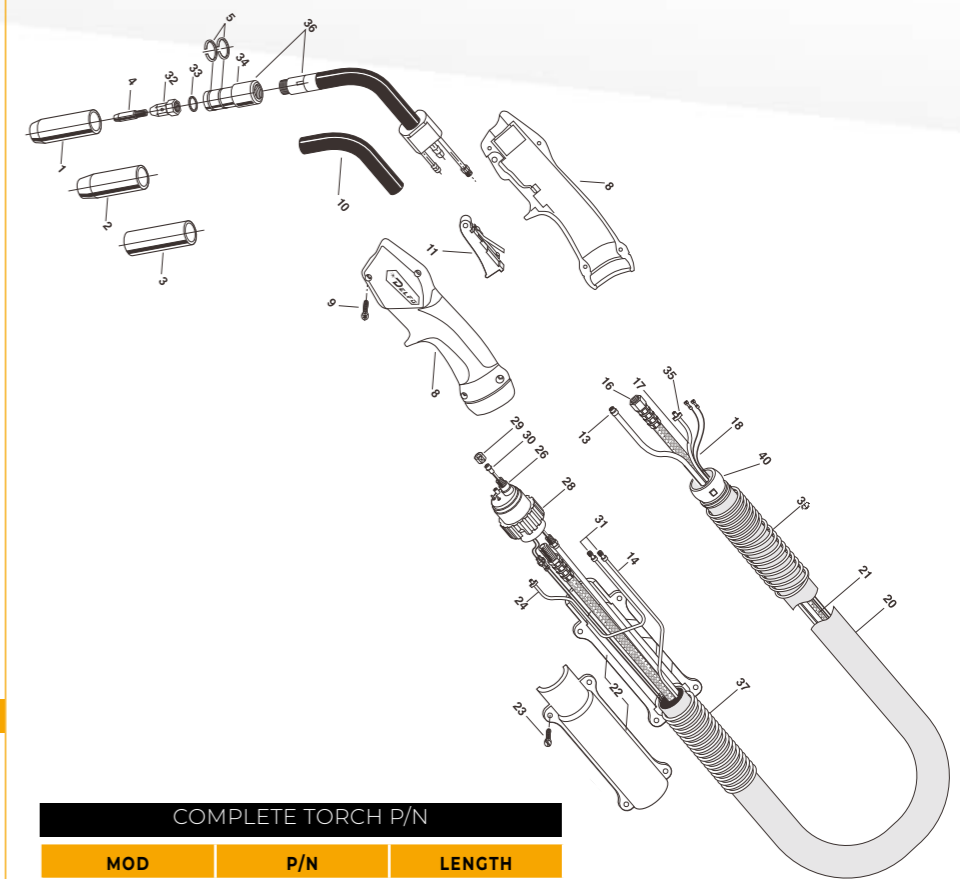
DM.27 - DELFOMIG - LIQUID

LIQUID COOLED TORCHES

DM.27 DELFO MIG LIQUID

TECHNICAL DATA

Technical data: (EN60974-7)
Rating CO₂: 300 A.
Rating mixed Gas (M21): 270 A.
Duty Cycle: 100%
Wire Size: Ø 0,8 -1,2 mm
Torch input pressure: Min. 2,5 bar (Max. 3,5 bar)
Min. flow rate: 1,3 l/min.



COMPLETE TORCH P/N

MOD	P/N	LENGTH
DM27.3	501.070.307	3 m.
DM27.4	501.070.407	4 m.

REPLACEMENT PARTS

POS.	DESCRIPTION	P/N	BAG	POS.	DESCRIPTION	P/N	BAG
1*	Nozzle Stnd. Øi. 15	179.105.110	5	21	Cable assembly 4m.	523.002.402	1
2	Tapered Nozzle Øi. 12	179.109.107	5	22	Back cable support	156.101.106	1
3	Cylindric Nozzle Øi. 18	179.104.105	5	23	Back cable support screw	181.103.103	20
4	Contact Tip M8x30 CU ø 0,8	147.010.308	25	24	Water out hose "black"	202.090.050	1
4	Contact Tip M8x30 CU ø 1,0	147.010.310	25	26	Euro Connector	142.105.121	1
4	Contact Tip M8x30 CU ø 1,2	147.010.312	25	28	Locking ring	127.102.102	5
4	Contact Tip M8x30 CU-CR-ZR ø 0,8	147.020.308	25	29	Liner Nut	117.101.101	10
4	Contact Tip M8x30 CU-CR-ZR ø 1,0	147.020.310	25	30*	3,0 m. Liner for wires Ø 1,0/1,2	130.050.302	1
4*	Contact Tip M8x30 CU-CR-ZR ø 1,2	147.020.312	25	30*	4,0 m. Liner for wires Ø 1,0/1,2	130.050.402	1
5	Elastic ring	101.101.104	20	30	3,0 m. Liner for Al. wires Ø 1,0/1,2 Teflon	134.060.302	1
8	Handle "DM" series	537.100.111	1	30	4,0 m. Liner for Al. wires Ø 1,0/1,2 Teflon	134.060.402	1
9	Handle case screw	181.103.108	20	30	3,0 m. Liner for Al. wires Ø 0,8/1,0 Carbo	134.030.402	1
10	Wukon insulating tube	140.104.112	1	30	4,0 m. Liner for Al. wires Ø 1,2/1,6 Carbo	134.090.402	1
11	Complete bladeswitch	146.101.112	5	31	Quick Connector	150.108.115	10
13	Liner Carrier 3m.	145.050.301	1	32	Gas Diffuser	118.103.105	5
13	Liner Carrier 4m.	145.050.401	1	33	Insulating ring	151.105.107	10
16	Power Cable 3m.	512.100.301	1	34	Nozzle holder	150.112.103	1
16	Power Cable 4m.	512.100.401	1	35	Hose clamp Ø 10,5	101.106.205	10
17	Water in hose "black"	202.090.050	1	36	Torch body with nozzle holder	516.116.105	1
18	Control cable	143.101.102	1	37	Spring (connector side)	141.106.109	1
20	Protective cover	175.300.280	1	39	Spring (handle side)	141.106.115	1
21	Cable assembly 3m.	523.002.302	1	40	Knuckle joint	156.102.109	1

(*) Standard

(*) Standard

DM.30 - DELFOMIG - LIQUID

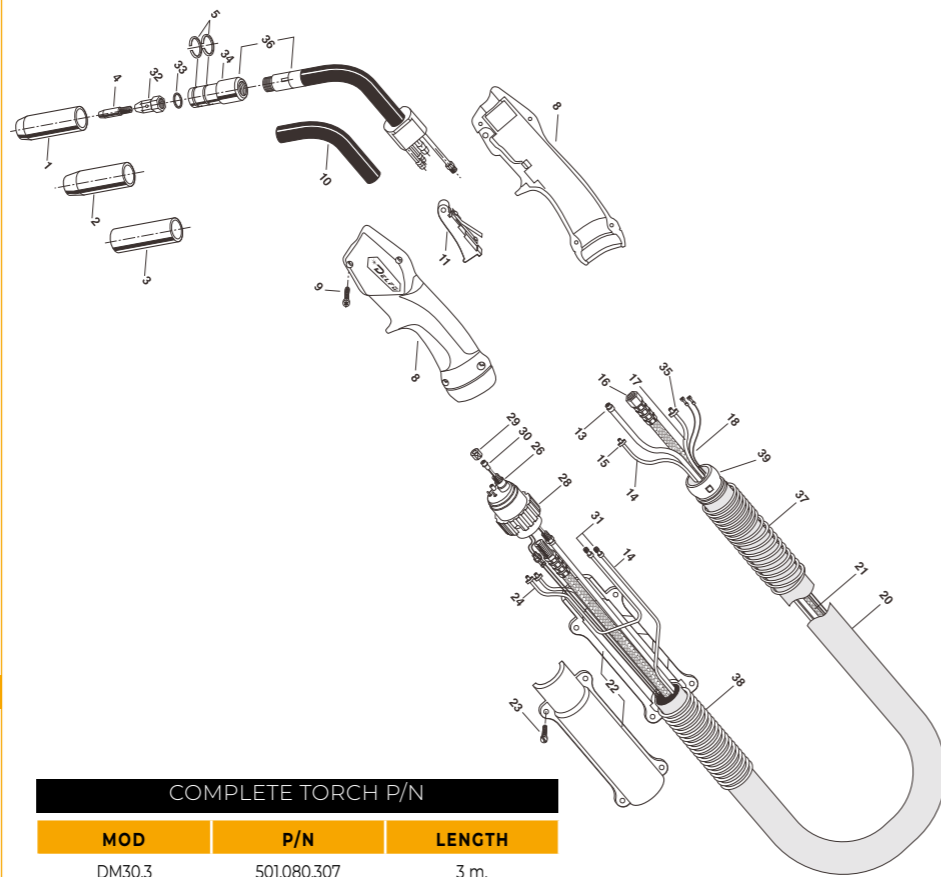
LIQUID COOLED TORCHES



DM.30 DELFOMIG LIQUID

TECHNICAL DATA

Technical data: (EN60974-7)
Rating CO₂: 330 A.
Rating mixed Gas (M21): 300 A.
Duty Cycle: 100%
Wire Size: Ø 0,8 -1,2 mm
Torch input pressure: Min. 2,5 bar
 (Max. 3,5 bar)
Min. flow rate: 1,3 l/min.



COMPLETE TORCH P/N		
MOD	P/N	LENGTH
DM30.3	501.080.307	3 m.
DM30.4	501.080.407	4 m.

REPLACEMENT PARTS

POS.	DESCRIPTION	P/N	BAG	POS.	DESCRIPTION	P/N	BAG
1*	Nozzle Stnd. Øi. 15	179.105.114	5	21	Cable assembly 4m.	523.001.402	1
2	Tapered Nozzle Øi. 12	179.109.118	5	22	Back cable support	156.101.106	1
3	Cylindric Nozzle Øi. 18	179.104.109	5	23	Back cable support screw	181.103.103	20
4	Contact Tip M8x40 CU Ø 0,8	147.010.108	25	24	Water out hose "black"	202.090.050	1
4	Contact Tip M8x40 CU Ø 1,0	147.010.110	25	26	Euro Connector	142.105.123	1
4	Contact Tip M8x40 CU Ø 1,2	147.010.112	25	28	Locking ring	127.102.102	5
4	Contact Tip M8x40 CU-CR-ZR Ø 0,8	147.020.108	25	29	Liner Nut	117.101.101	10
4	Contact Tip M8x40 CU-CR-ZR Ø 1,0	147.020.110	25	30*	3,0 m. Liner for wires Ø 1,0/1,2	130.050.302	1
4*	Contact Tip M8x40 CU-CR-ZR Ø 1,2	147.020.112	25	30*	4,0 m. Liner for wires Ø 1,0/1,2	130.050.402	1
5	Elastic ring	101.101.104	20	30	3,0 m. Liner for Al. wires Ø 1,0/1,2 Teflon	134.060.302	1
8	Handle "DM" series	537.100.111	1	30	4,0 m. Liner for Al. wires Ø 1,0/1,2 Teflon	134.060.402	1
9	Handle case screw	181.103.108	20	30	3,0 m. Liner for Al. wires Ø 0,8/1,0 Carbo	134.030.402	1
10	Wukon insulating tube	140.104.112	1	30	4,0 m. Liner for Al. wires Ø 1,2/1,6 Carbo	134.090.402	1
11	Complete bladeswitch	146.101.112	5	31	Quick Connector	150.108.115	10
13	Liner Carrier 3m.	145.050.301	1	32	Gas Diffuser	118.103.105	5
13	Liner Carrier 4m.	145.050.401	1	33	Insulating ring	151.105.107	10
14	Gas hose "black"	166.081.051	1	34	Nozzle holder	150.112.103	1
15	Hose clamp Ø 9,5	101.106.202	10	35	Hose clamp Ø 10,5	101.106.205	10
16	Power Cable 3m.	512.100.301	1	36	Torch body with nozzle holder	516.116.104	1
16	Power Cable 4m.	512.100.401	1	37	Spring (connector side)	141.106.109	1
17	Water in hose "black"	202.090.050	1	39	Spring (handle side)	141.106.115	1
18	Control cable	143.101.102	1	40	Knuckle joint	156.102.109	1
20	Protective cover	175.300.280	1				
21	Cable assembly 3m.	523.001.302	1				

(*) Standard

DM.50 - DELFOMIG - LIQUID

LIQUID COOLED TORCHES TIP M8X30



DM.50 DELFOMIG LIQUID

TECHNICAL DATA

Technical data: (EN60974-7)
Rating CO₂: 500 A.
Rating mixed Gas (M21): 450 A.
Duty Cycle: 100%
Wire Size: Ø 0,8 -1,6 mm
Pressione d'esercizio: Min. 2,5 bar
 (Max. 3,5 bar)
Min. flow rate: 2,0 l/min.



COMPLETE TORCH P/N		
MOD	P/N	LENGTH
DM50.3	501.111.307	3 m.
DM50.4	501.111.407	4 m.

TIP M8X30

REPLACEMENT PARTS

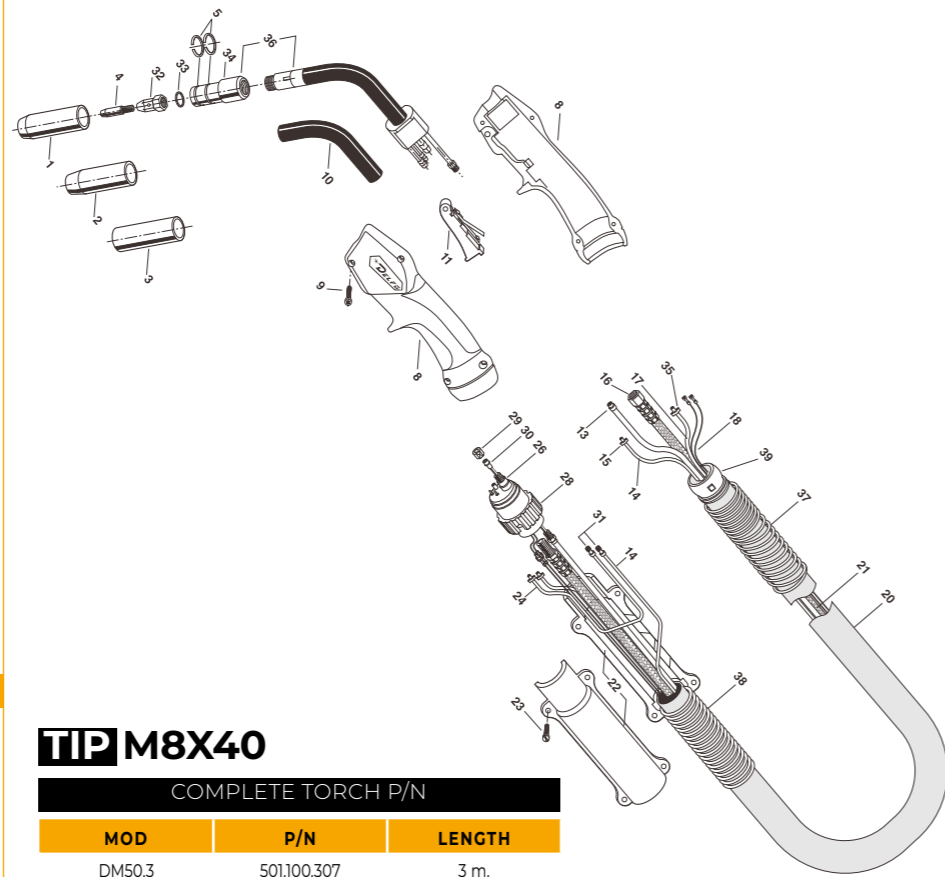
POS.	DESCRIPTION	P/N	BAG	POS.	DESCRIPTION	P/N	BAG
1*	Nozzle Stnd. Øi. 17	179.105.113	5	21	Cable assembly 4m.	523.001.402	1
2	Tapered Nozzle Øi. 16	179.109.112	5	22	Back cable support	156.101.106	1
3	Cylindric Nozzle Øi. 22	179.104.108	5	23	Back cable support screw	181.103.103	20
4	Contact Tip M8x30 CU Ø 0,8	147.010.308	25	24	Water out hose "black"	202.090.050	1
4	Contact Tip M8x30 CU Ø 1,0	147.010.310	25	26	Euro Connector	142.105.123	1
4	Contact Tip M8x30 CU Ø 1,2	147.010.312	25	28	Locking ring	127.102.102	5
4	Contact Tip M8x30 CU Ø 1,6	147.010.316	25	29	Liner Nut	117.101.101	10
4	Contact Tip M8x30 CU-CR-ZR Ø 0,8	147.020.308	25	30*	3,0 m. Liner for wires Ø 1,0/1,2	189.060.302	1
4	Contact Tip M8x30 CU-CR-ZR Ø 1,0	147.020.310	25	30*	4,0 m. Liner for wires Ø 1,0/1,2	189.060.402	1
4*	Contact Tip M8x30 CU-CR-ZR Ø 1,2	147.020.312	25	30	3,0 m. Liner for wires Ø 1,2/1,6	189.070.302	1
4	Contact Tip M8x30 CU-CR-ZR Ø 1,6	147.020.316	25	30	4,0 m. Liner for wires Ø 1,2/1,6	189.070.402	1
5	Elastic ring	101.101.103	20	30	3,0 m. Liner for Al. wires Ø 1,0/1,2 Teflon	134.060.302	1
8	Handle "DM" series	537.100.111	1	30	4,0 m. Liner for Al. wires Ø 1,0/1,2 Teflon	134.060.402	1
9	Handle case screw	181.103.108	20	30	3,0 m. Liner for Al. wires Ø 1,2/1,6 Teflon	134.070.302	1
10	Wukon insulating tube	140.104.115	1	30	4,0 m. Liner for Al. wires Ø 1,2/1,6 Teflon	134.070.402	1
11	Complete bladeswitch	146.101.112	5	30	3,0 m. Liner for Al. wires Ø 0,8/1,0 Carbo	134.030.402	1
13	Liner Carrier 3m.	145.050.301	1	30	4,0 m. Liner for Al. wires Ø 1,2/1,6 Carbo	134.090.402	1
13	Liner Carrier 4m.	145.050.401	1	31	Quick Connector	150.108.115	10
14	Gas hose "black"	166.081.051	1	32	Gas Diffuser	118.103.106	5
15	Hose clamp Ø 9,5	101.106.202	10	33	Insulating ring	151.105.106	10
16	Power Cable 3m.	512.100.301	1	34	Nozzle holder	150.112.102	1
16	Power Cable 4m.	512.100.401	1	35	Hose clamp Ø 10,5	101.106.205	10
17	Water in hose "black"	202.090.050	1	36	Torch body with nozzle holder	516.116.103	1
18	Control cable	143.101.102	1	37	Spring (connector side)	141.106.115	1
20	Protective cover	175.300.280	1	38	Spring (handle side)	141.106.109	1
21	Cable assembly 3m.	523.001.302	1	39	Knuckle joint	156.102.109	1

(*) Standard

(*) Standard

DM.50 - DELFOMIG - LIQUID

LIQUID COOLED TORCHES TIP M8X40



DM.50 DELFOMIG LIQUID

TECHNICAL DATA

Technical data: (EN60974-7)
Rating CO₂: 500 A.
Rating mixed Gas (M21): 450 A.
Duty Cycle: 100%
Wire Size: Ø 0,8 -1,6 mm
Pressione d'esercizio: Min. 2,5 bar
 (Max. 3,5 bar)
Min. flow rate: 2,0 l/min.

TIP M8X40

COMPLETE TORCH P/N

MOD	P/N	LENGTH
DM50.3	501.100.307	3 m.
DM50.4	501.100.407	4 m.

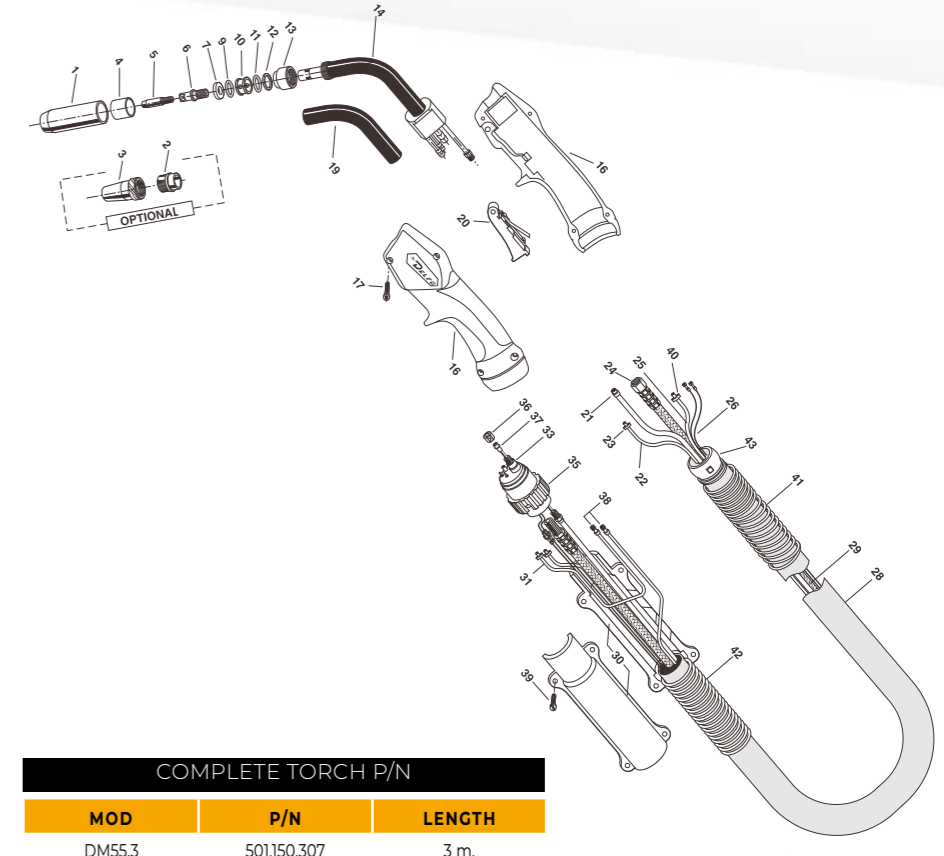
REPLACEMENT PARTS

POS.	DESCRIPTION	P/N	BAG	POS.	DESCRIPTION	P/N	BAG
1*	Nozzle Stnd. Øi. 17	179.105.121	5	21	Cable assembly 4m.	523.001.402	1
2	Tapered Nozzle Øi. 16	179.109.110	5	22	Back cable support	156.101.106	1
3	Cylindric Nozzle Øi. 22	179.104.113	5	23	Back cable support screw	181.103.103	20
4	Contact Tip M8x40 CU ø 0,8	147.010.108	25	24	Water out hose "black"	202.090.050	1
4	Contact Tip M8x40 CU ø 1,0	147.010.110	25	26	Euro Connector	142.105.123	1
4	Contact Tip M8x40 CU ø 1,2	147.010.112	25	28	Locking ring	127.102.102	5
4	Contact Tip M8x40 CU ø 1,6	147.010.116	25	29	Liner Nut	117.101.101	10
4	Contact Tip M8x40 CU-CR-ZR ø 0,8	147.020.108	25	30*	3,0 m. Liner for wires Ø 1,0/1,2	189.060.302	1
4	Contact Tip M8x40 CU-CR-ZR ø 1,0	147.020.110	25	30*	4,0 m. Liner for wires Ø 1,0/1,2	189.060.402	1
4*	Contact Tip M8x40 CU-CR-ZR ø 1,2	147.020.112	25	30	3,0 m. Liner for wires Ø 1,2/1,6	189.070.302	1
4	Contact Tip M8x40 CU-CR-ZR ø 1,6	147.020.116	25	30	4,0 m. Liner for wires Ø 1,2/1,6	189.070.402	1
5	Elastic ring	101.101.103	20	30	3,0 m. Liner for Al. wires Ø 1,0/1,2 Teflon	134.060.302	1
8	Handle "DM" series	537.100.111	1	30	4,0 m. Liner for Al. wires Ø 1,0/1,2 Teflon	134.060.402	1
9	Handle case screw	181.103.108	20	30	3,0 m. Liner for Al. wires Ø 1,2/1,6 Teflon	134.070.302	1
10	Wukon insulating tube	140.104.115	1	30	4,0 m. Liner for Al. wires Ø 1,2/1,6 Teflon	134.070.402	1
11	Complete bladeswitch	146.101.112	5	30	3,0 m. Liner for Al. wires Ø 0,8/1,0 Carbo	134.030.402	1
13	Liner Carrier 3m.	145.050.301	1	30	4,0 m. Liner for Al. wires Ø 1,2/1,6 Carbo	134.090.402	1
13	Liner Carrier 4m.	145.050.401	1	31	Quick Connector	150.108.115	10
14	Gas hose "black"	166.081.051	1	32	Gas Diffuser	118.103.106	5
15	Hose clamp Ø 9,5	101.106.202	10	33	Insulating ring	151.105.106	10
16	Power Cable 3m.	512.100.301	1	34	Nozzle holder	150.112.102	1
16	Power Cable 4m.	512.100.401	1	35	Hose clamp Ø 10,5	101.106.205	10
17	Water in hose "black"	202.090.050	1	36	Torch body with nozzle holder	516.116.103	1
18	Control cable	143.101.102	1	37	Spring (connector side)	141.106.115	1
20	Protective cover	175.300.280	1	38	Spring (handle side)	141.106.109	1
21	Cable assembly 3m.	523.001.302	1	39	Knuckle joint	156.102.109	1

(*) Standard (*) Standard

DM.55 - DELFOMIG - LIQUID

LIQUID COOLED TORCHES



DM.55 DELFOMIG LIQUID

TECHNICAL DATA

Technical data: (EN60974-7)
Rating CO₂: 550 A.
Rating mixed Gas (M21): 500 A.
Duty Cycle: 100%
Wire Size: Ø 0,8 -1,6 mm
Pressione d'esercizio: Min. 2,5 bar
 (Max. 3,5 bar)
Min. flow rate: 1,4 l/min.

COMPLETE TORCH P/N

MOD	P/N	LENGTH
DM55.3	501.150.307	3 m.
DM55.4	501.150.407	4 m.

REPLACEMENT PARTS

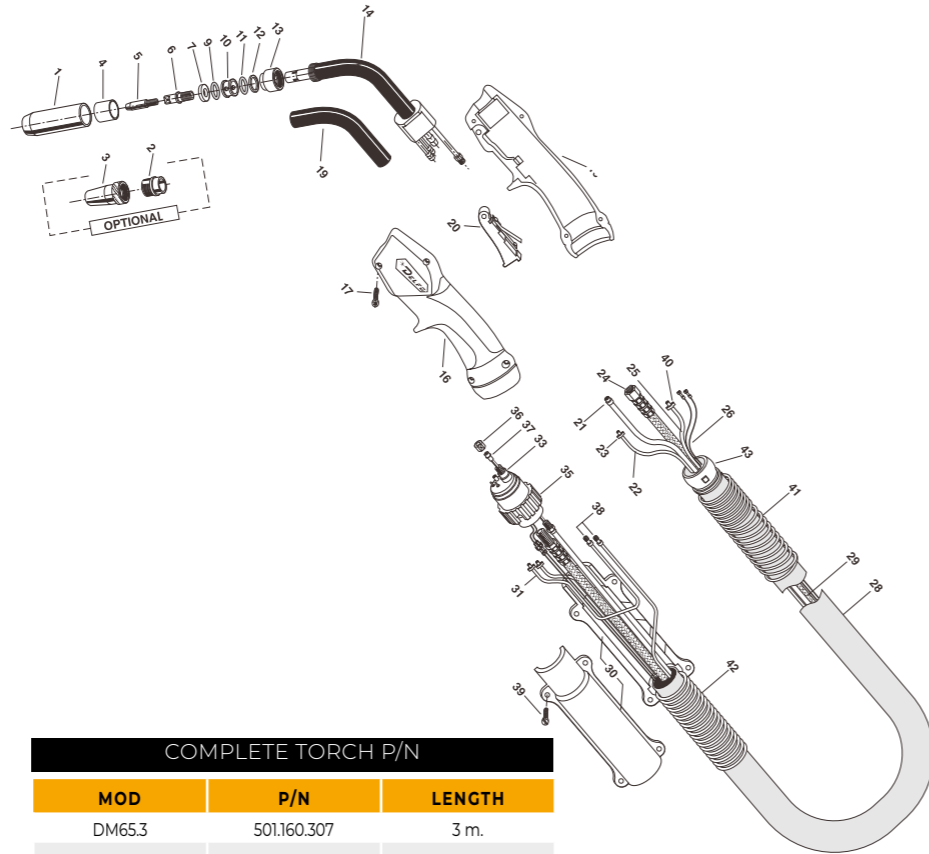
POS.	DESCRIPTION	P/N	BAG	POS.	DESCRIPTION	P/N	BAG
1*	Nozzle Stnd. Øi. 17	179.105.109	5	24	Power Cable 3m.	512.100.301	1
2	Back Nozzle	179.108.102	5	24	Power Cable 4m.	512.100.401	1
3	Front Nozzle Øi. 17	179.102.102	5	25	Water in hose "black"	202.090.050	1
4	Nozzle Insulator	103.102.102	5	26	Control cable	143.101.102	1
5	Contact Tip M8x30 CU ø 0,8	147.010.308	25	28	Protective cover	175.300.280	1
5	Contact Tip M8x30 CU ø 1,0	147.010.310	25	29	Cable assembly 3m.	523.001.302	1
5	Contact Tip M8x30 CU ø 1,2	147.010.312	25	29	Cable assembly 4m.	523.001.402	1
5	Contact Tip M8x30 CU ø 1,6	147.010.316	25	30	Back cable support	156.101.106	1
5	Contact Tip M8x30 CU-CR-ZR ø 0,8	147.020.308	25	31	Water out hose "black"	202.090.050	1
5	Contact Tip M8x30 CU-CR-ZR ø 1,0	147.020.310	25	33	Euro Connector	142.105.123	1
5*	Contact Tip M8x30 CU-CR-ZR ø 1,2	147.020.312	25	35	Locking ring	127.102.102	5
5	Contact Tip M8x30 CU-CR-ZR ø 1,6	147.020.316	25	36	Liner Nut	117.101.101	10
6	Gas Diffuser	118.103.103	5	37*	3,0 m. Liner for wires Ø 1,0/1,2	189.060.302	1
7	Support insulating ring	151.104.104	10	37*	4,0 m. Liner for wires Ø 1,0/1,2	189.060.402	1
9	Rubber ring	135.101.103	10	37	3,0 m. Liner for wires Ø 1,2/1,6	189.070.302	1
10	Water distributor	119.101.103	10	37	4,0 m. Liner for wires Ø 1,2/1,6	189.070.402	1
11	Rubber ring	135.101.103	10	37	3,0 m. Liner for Al. wires Ø 1,0/1,2 Teflon	134.060.302	1
12	Pressure ring	151.103.104	10	37	4,0 m. Liner for Al. wires Ø 1,0/1,2 Teflon	134.060.402	1
13	Torchi body locking ring	127.101.103	5	37	3,0 m. Liner for Al. wires Ø 1,2/1,6 Teflon	134.070.302	1
14	Torch body	516.101.106	1	37	4,0 m. Liner for Al. wires Ø 1,2/1,6 Teflon	134.070.402	1
16	Handle "DM" series	537.100.111	1	37	3,0 m. Liner for Al. wires Ø 0,8/1,0 Carbo	134.030.402	1
17	Handle case screw	181.103.108	20	37	4,0 m. Liner for Al. wires Ø 1,2/1,6 Carbo	134.090.402	1
19	Wukon insulating tube	140.104.116	1	38	Quick Connector	150.108.115	10
20	Complete bladeswitch	146.101.112	5	39	Back cable support screw	181.103.103	20
21	Liner Carrier 3m.	145.050.301	1	40	Hose clamp Ø 10,5	101.106.205	10
21	Liner Carrier 4m.	145.050.401	1	41	Spring (connector side)	141.106.115	1
22	Gas hose "black"	166.081.051	1	42	Spring (handle side)	141.106.109	1
23	Hose clamp Ø 9,5	101.106.202	10	43	Knuckle joint	156.102.109	1

DM.65 - DELFOMIG - LIQUID

LIQUID COOLED TORCHES

DELFOAUTOMIG

AIR AND LIQUID COOLED AUTOMIG TORCHES



DM.65
DELFOMIG
LIQUID

TECHNICAL DATA

Technical data: (EN60974-7)
Rating CO₂: 650 A.
Rating mixed Gas (M21): 600 A.
Duty Cycle: 100%
Wire Size: Ø 1,0 -2,0 mm
Pressione d'esercizio: Min. 2,5 bar (Max. 3,5 bar)
Min. flow rate: 1,4 l/min.

COMPLETE TORCH P/N		
MOD	P/N	LENGTH
DM65.3	501.160.307	3 m.
DM65.4	501.160.407	4 m.

REPLACEMENT PARTS

POS.	DESCRIPTION	P/N	BAG	POS.	DESCRIPTION	P/N	BAG
1*	Nozzle Stnd. Øi. 19	179.105.107	5	24	Power Cable 3m.	512.100.301	1
2	Back Nozzle	179.108.101	5	24	Power Cable 4m.	512.100.401	1
3	Front Nozzle Øi. 19	179.102.101	5	25	Water in hose	202.090.050	1
4	Nozzle Insulator	103.102.101	5	26	Control cable	143.101.102	1
5	Contact Tip M8x40 CU Ø 1,0	147.010.110	25	28	Protective cover	175.300.280	1
5	Contact Tip M8x40 CU Ø 1,2	147.010.112	25	29	Cable assembly 3m.	523.001.302	1
5	Contact Tip M8x40 CU Ø 1,6	147.010.116	25	29	Cable assembly 4m.	523.001.402	1
5	Contact Tip M8x40 CU Ø 2,0	147.010.120	25	30	Back cable support	156.101.106	1
5	Contact Tip M8x40 CU-CR-ZR Ø 1,0	147.020.110	25	31	Water out hose	202.090.050	1
5*	Contact Tip M8x40 CU-CR-ZR Ø 1,2	147.020.112	25	33	Euro Connector	142.105.123	1
5	Contact Tip M8x40 CU-CR-ZR Ø 1,6	147.020.116	25	35	Locking ring	127.102.102	5
5	Contact Tip M8x40 CU-CR-ZR Ø 2,0	147.020.120	25	36	Liner Nut	117.101.101	10
6	Gas Diffuser	118.103.107	5	37*	3,0 m. Liner for wires Ø 1,0/1,2	189.060.302	1
7	Support insulating ring	151.104.105	10	37*	4,0 m. Liner for wires Ø 1,0/1,2	189.060.402	1
9	Rubber ring	135.101.101	10	37	3,0 m. Liner for wires Ø 1,2/1,6	189.070.302	1
10	Water distributor	119.101.101	10	37	4,0 m. Liner for wires Ø 1,2/1,6	189.070.402	1
11	Rubber ring	135.101.101	10	37	3,0 m. Liner for Al. wires Ø 1,0/1,2 Teflon	134.060.302	1
12	Pressure ring	151.103.105	10	37	4,0 m. Liner for Al. wires Ø 1,0/1,2 Teflon	134.060.402	1
13	Torch body locking ring	127.101.104	5	37	3,0 m. Liner for Al. wires Ø 1,2/1,6 Teflon	134.070.302	1
14	Torch body	516.101.107	1	37	4,0 m. Liner for Al. wires Ø 1,2/1,6 Teflon	134.070.402	1
16	Handle "DM" series	537.101.101	1	37	3,0 m. Liner for Al. wires Ø 0,8/1,0 Carbo	134.030.402	1
17	Handle case screw	181.103.108	20	37	4,0 m. Liner for Al. wires Ø 1,2/1,6 Carbo	134.090.402	1
19	Wukon insulating tube	140.104.107	1	38	Quick Connector	150.108.115	10
20	Complete bladeswitch	146.101.112	5	39	Back cable support screw	181.103.103	20
21	Liner Carrier 3m.	145.050.301	1	40	Hose clamp Ø 10,5	101.106.205	10
21	Liner Carrier 4m.	145.050.401	1	41	Spring (connector side)	141.106.115	1
22	Gas hose	166.081.051	1	42	Spring (handle side)	141.106.109	1
23	Hose clamp Ø 9,5	101.106.202	10	43	Knuckle joint	156.102.109	1

BEING
DIFFERENT

PREMIUM QUALITY
MADE IN ITALY

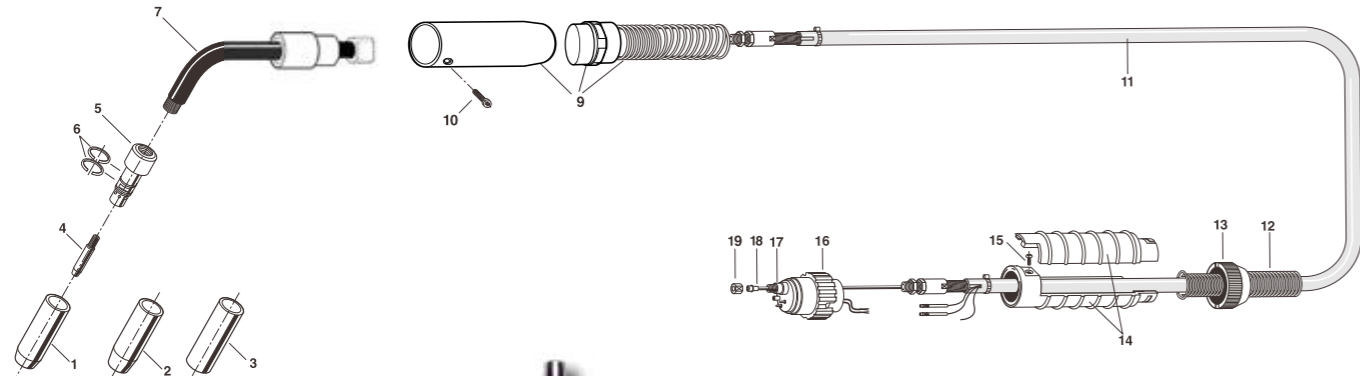


Design and manufacture
of special torches with lengths
and angles on request.



AM.3 - DELFOAUTOMIG - AIR

AIR COOLED AUTOMIG TORCHES



AM.3 DELFOAUTOMIG AIR

TECHNICAL DATA

Technical data: (EN60974-7)
Rating CO₂: 340A.
Rating mixed Gas (M21): 220 A.
Duty Cycle: 60%
Wire Size: 0,8-1,2 mm

COMPLETE TORCH P/N			
MOD	ANGLE	P/N	LENGTH
AM.3	0°	270.031.301	3m
AM.3	22°	272.231.301	3m
AM.3	45°	274.531.301	3m

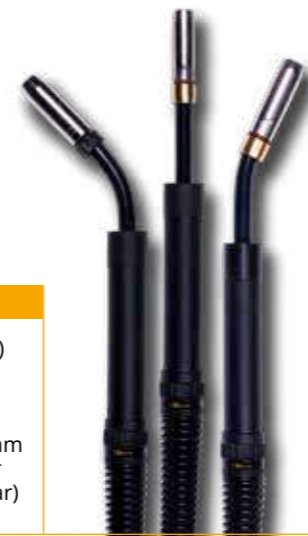
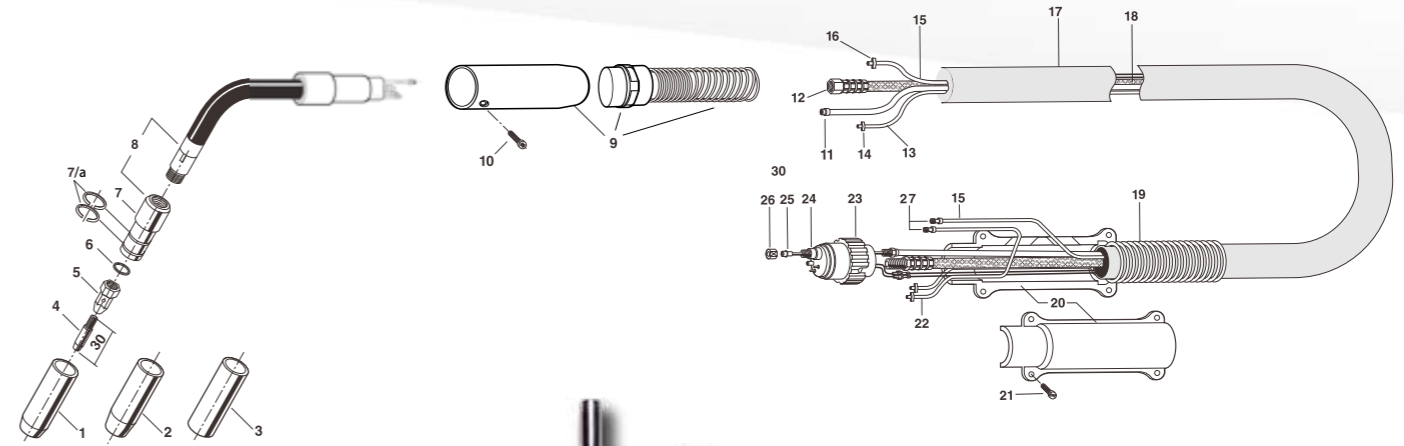
REPLACEMENT PARTS

POS.	DESCRIPTION	P/N	BAG.	POS.	DESCRIPTION	P/N	BAG.
1*	Nozzle Stnd. Øi. 16	179.105.115	5	10	Handle case screw	181.103.104	20
2	Tapered Nozzle Øi. 13	179.109.124	5	11	Complete coaxial cable for Automation 3m.	108.503.302	1
3	Cylindric Nozzle Øi. 20	179.104.112	5	12	Spring (connector side)	141.106.107	1
4	Contact Tip M8x40 CU ø 0,8	147.010.108	25	13	Connector locking ring	127.105.101	1
4*	Contact Tip M8x40 CU ø 1,0	147.010.110	25	14	Back cable support	156.101.103	1
4	Contact Tip M8x40 CU ø 1,2	147.010.112	25	15	Back cable support screw	181.106.101	20
4	Contact Tip M8x40 CU-CR-ZR ø 0,8	147.020.108	25	16	Locking ring	127.102.102	5
4	Contact Tip M8x40 CU-CR-ZR ø 1,0	147.020.110	25	17	Euro Connector	142.105.113	1
4	Contact Tip M8x40 CU-CR-ZR ø 1,2	147.020.112	25	18	3,0 m. Liner for wires Ø 0,6/1,0	130.020.302	1
5	Gas Diffuser	118.102.119	5	18*	3,0 m. Liner for wires Ø 1,0/1,2	130.050.302	1
6	Elastic Ring	101.101.105	20	18	3,0 m. Liner for Al. wires Ø 1,0/1,2 Teflon	134.060.302	1
7	0° Torch body with insulator	216.003.501	1	18	3,0 m. Liner for Al. wires Ø 0,8/1,0 Carbo	134.030.402	1
7	22° Torch body with insulator	216.223.501	1	18	4,0 m. Liner for Al. wires Ø 1,2/1,6 Carbo	134.090.402	1
7	45° Torch body with insulator	216.453.501	1	19	Liner Nut	117.101.101	10
9	Cylindric Handle with locking ring /spring	137.106.200	1				

(*) Standard

AM.30 - DELFOAUTOMIG - LIQUID

LIQUID COOLED AUTOMIG TORCHES



AM.30 DELFOAUTOMIG LIQUID

TECHNICAL DATA

Technical data: (EN60974-7)
Rating CO₂: 300 A.
Rating mixed Gas (M21): 270 A.
Duty Cycle: 100%
Wire Size: Ø 0,8 -1,2 mm
Pressione d'esercizio: Min. 2,5 bar (Max. 3,5 bar)
Min. flow rate: 2,0 l/min.

COMPLETE TORCH P/N			
MOD	ANGLE	P/N	LENGTH
AM.30	0°	270.053.301	3m
AM.30	22°	272.253.301	3m
AM.30	45°	274.553.301	3m

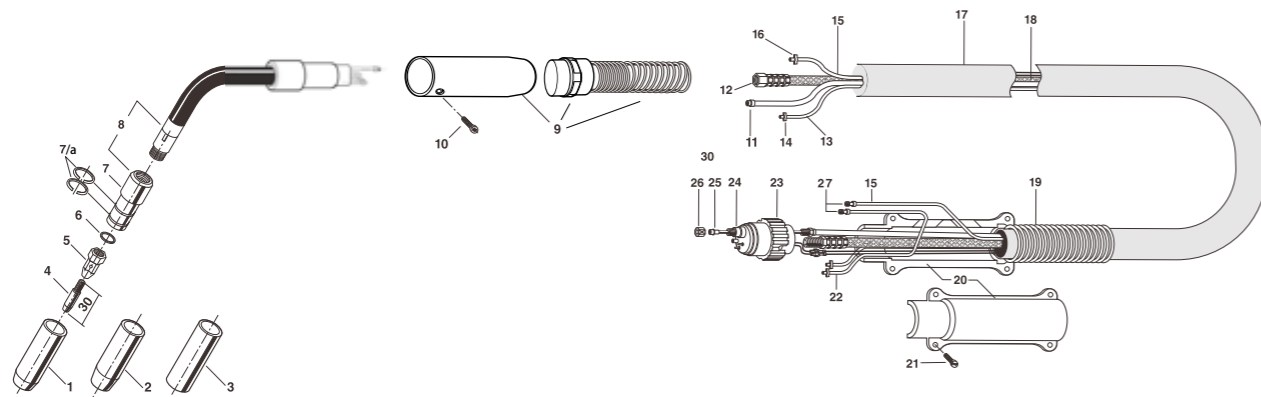
REPLACEMENT PARTS

POS.	DESCRIPTION	P/N	BAG.	POS.	DESCRIPTION	P/N	BAG.
1*	Nozzle Stnd. Øi. 15	179.105.110	5	14	Hose clamp Ø 9,5	101.106.202	10
2	Tapered Nozzle Øi. 12	179.109.117	5	15	Water in hose	202.090.050	1
3	Cylindric Nozzle Øi. 18	179.104.105	5	16	Hose clamp Ø 10,5	101.106.205	10
4	Contact Tip M8x30 CU-CR-ZR ø 0,8	147.020.308	25	17	Protective cover	175.300.280	1
4	Contact Tip M8x30 CU-CR-ZR ø 1,0	147.020.310	25	18	Cable assembly 3m.	523.051.307	1
4*	Contact Tip M8x30 CU-CR-ZR ø 1,2	147.020.312	25	19	Spring (connector side)	141.106.109	1
5	Gas Diffuser	118.103.105	5	20	Back cable support	156.101.106	1
6	Insulating ring	151.105.107	10	21	Back cable support screw	181.103.103	20
7	Nozzle holder	150.112.103	1	22	Water out hose "black"	202.090.050	1
7/a	Elastic ring	101.101.104	20	23	Locking ring	127.102.102	5
8	0° Torch body with insulator	216.005.501	1	24	Euro Connector	142.105.123	1
8	22° Torch body with insulator	216.225.501	1	25*	3,0 m. Liner for wires Ø 1,0/1,2	130.050.302	1
8	45° Torch body with insulator	216.455.501	1	25	3,0 m. Liner for Al. wires Ø 1,0/1,2 Teflon	134.060.302	1
9	Cylindric Handle with locking ring /spring	137.106.200	1	25	3,0 m. Liner for Al. wires Ø 0,8/1,0 Carbo	134.030.402	1
10	Handle case screw	181.103.104	20	25	4,0 m. Liner for Al. wires Ø 1,2/1,6 Carbo	134.090.402	1
11	Liner Carrier 3m.	145.050.301	1	26	Liner Nut	117.101.101	10
12	Power Cable 3m.	512.100.301	1	27	Quick Connector	150.108.115	10
13	Gas hose "black"	166.081.051	1				

(*) Standard

AM.50 - DELFOAUTOMIG - AIR

LIQUID COOLED AUTOMIG TORCHES



AM.50 DELFOAUTOMIG LIQUID

TECHNICAL DATA

Technical data: (EN60974-7)
Rating CO₂: 500 A.
Rating mixed Gas (M21): 450 A.
Duty Cycle: 100%
Wire Size: Ø 0,8 -1,6 mm
Pressione d'esercizio: Min. 2,5 bar
 (Max. 3,5 bar)
Min. flow rate: 2,0 l/min.

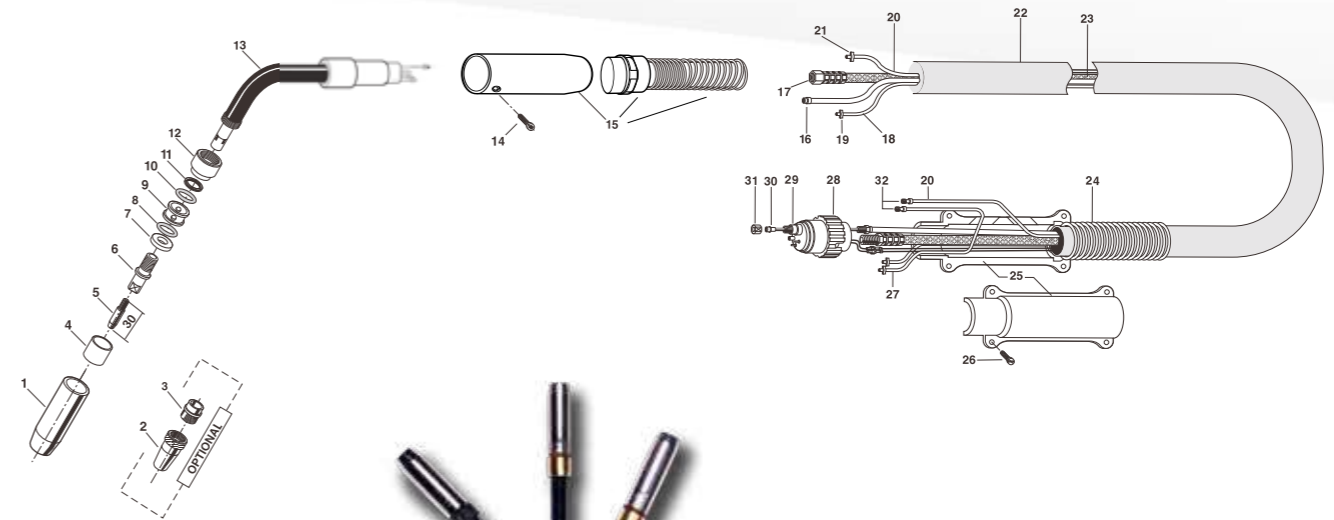
COMPLETE TORCH P/N			
MOD	ANGLE	P/N	LENGTH
AM.50	0°	270.054.301	3m
AM.50	22°	272.254.301	3m
AM.50	45°	274.554.301	3m

REPLACEMENT PARTS

POS.	DESCRIPTION	P/N	BAG.	POS.	DESCRIPTION	P/N	BAG.
1*	Nozzle Stnd. Øi. 17	179.105.113	5	15	Water in hose	202.090.050	1
2	Tapered Nozzle Øi. 16	179.109.112	5	16	Hose clamp Ø 10,5	101.106.205	10
3	Cylindric Nozzle Øi. 21	179.104.108	5	17	Protective cover	175.300.280	1
4	Contact Tip M8x30 CU-CR-ZR ø 0,8	147.020.308	25	18	Cable assembly 3m.	523.052.307	1
4	Contact Tip M8x30 CU-CR-ZR ø 1,0	147.020.310	25	19	Spring (connector side)	141.106.109	1
4*	Contact Tip M8x30 CU-CR-ZR ø 1,2	147.020.312	25	20	Back cable support	156.101.106	1
4	Contact Tip M8x30 CU-CR-ZR ø 1,6	147.020.316	25	21	Back cable support screw	181.103.103	20
5	Gas Diffuser	118.103.106	10	22	Water out hose "black"	202.090.050	1
6	Insulating ring	151.105.106	10	23	Locking ring	127.102.102	5
7	Nozzle holder	150.112.102	1	24	Euro Connector	142.105.123	1
7/a	Elastic ring	101.101.103	20	25*	3,0 m. Liner for wires Ø 1,0/1,2	130.060.302	1
8	0° Torch body with insulator	216.005.502	1	25	3,0 m. Liner for wires Ø 1,2/1,6	130.070.302	1
8	22° Torch body with insulator	216.225.502	1	25	3,0 m. Liner for Al. wires Ø 1,0/1,2 Teflon	134.060.302	1
8	45° Torch body with insulator	216.455.502	1	25	3,0 m. Liner for Al. wires Ø 1,2/1,6 Teflon	134.070.302	1
9	Cylindric Handle with locking ring /spring	137.106.200	1	25	3,0 m. Liner for Al. wires Ø 0,8/1,0 Carbo	134.030.402	1
10	Handle case screw	181.103.104	20	25	4,0 m. Liner for Al. wires Ø 1,2/1,6 Carbo	134.090.402	1
11	Liner Carrier 3m.	145.050.301	1	26	Liner Nut	117.101.101	10
12	Power Cable 3m.	512.100.301	1	27	Quick Connector	150.108.115	10
13	Gas hose "black"	166.081.051	1				
14	Hose clamp Ø 9,5	101.106.202	10				

AM.55 - DELFOAUTOMIG - AIR

LIQUID COOLED AUTOMIG TORCHES



AM.55 DELFOAUTOMIG LIQUID

TECHNICAL DATA

Technical data: (EN60974-7)
Rating CO₂: 550 A.
Rating mixed Gas (M21): 500 A.
Duty Cycle: 100%
Wire Size: Ø 0,8 -1,6 mm
Pressione d'esercizio: Min. 2,5 bar
 (Max. 3,5 bar)
Min. flow rate: 1,4 l/min.

COMPLETE TORCH P/N			
MOD	ANGLE	P/N	LENGTH
AM.55	0°	270.042.301	3m
AM.55	22°	272.242.301	3m
AM.55	45°	274.542.301	3m

REPLACEMENT PARTS

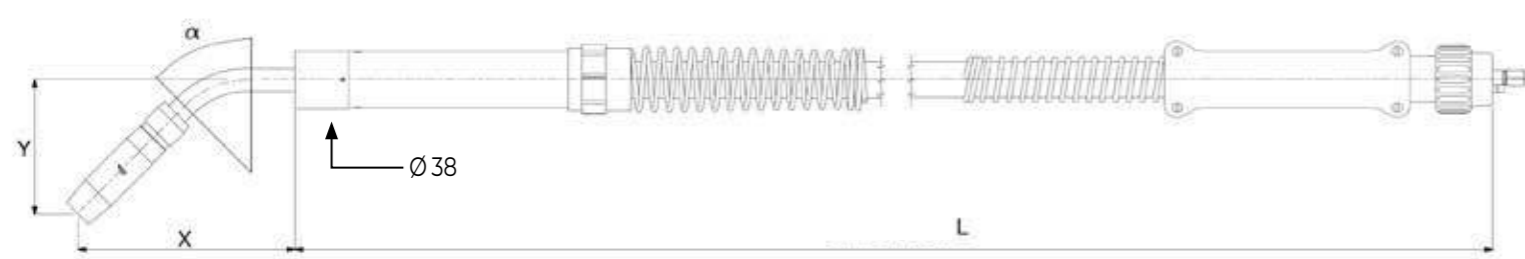
POS.	DESCRIPTION	P/N	BAG.	POS.	DESCRIPTION	P/N	BAG.
1*	Nozzle Stnd. Øi. 17	179.105.109	5	17	Power Cable 3m.	512.100.301	1
2	Front Nozzle Øi. 17	179.102.102	5	18	Gas hose "black"	166.081.051	1
3	Back Nozzle	179.108.102	5	19	Hose clamp Ø 9,5	101.106.202	10
4	Nozzle Insulator	103.102.102	5	20	Water in hose	202.090.050	1
5	Contact Tip M8x30 CU-CR-ZR ø 0,8	147.020.308	5	21	Hose clamp Ø 10,5	101.106.205	10
5	Contact Tip M8x30 CU-CR-ZR ø 1,0	147.020.310	25	22	Protective cover	175.300.280	1
5*	Contact Tip M8x30 CU-CR-ZR ø 1,2	147.020.312	25	23	Cable assembly 3m.	523.052.307	1
5	Contact Tip M8x30 CU-CR-ZR ø 1,6	147.020.316	25	24	Spring (connector side)	141.106.109	1
6	Gas Diffuser	118.103.103	5	25	Back cable support	156.101.106	1
7	Support Insulating ring	151.104.104	10	26	Back cable support screw	181.103.103	10
8	Rubber ring	135.101.103	10	27	Water out hose "black"	202.090.050	1
9	Water distributor	119.101.103	10	28	Locking ring	127.102.102	5
10	Rubber ring	135.101.103	10	29	Euro Connector	142.105.123	1
11	Pressure ring	151.103.104	10	30*	3,0 m. Liner for wires Ø 1,0/1,2	130.060.302	1
12	Torch body locking ring	127.101.103	5	30	3,0 m. Liner for wires Ø 1,2/1,6	130.070.302	1
13	0° Torch body with insulator	216.004.501	1	30	3,0 m. Liner for Al. wires Ø 1,0/1,2 Teflon	134.060.302	1
13	22° Torch body with insulator	216.224.501	1	30	3,0 m. Liner for Al. wires Ø 1,2/1,6 Teflon	134.070.302	1
13	45° Torch body with insulator	216.454.501	1	30	3,0 m. Liner for Al. wires Ø 0,8/1,0 Carbo	134.030.402	1
14	Handle case screw	181.103.104	20	30	4,0 m. Liner for Al. wires Ø 1,2/1,6 Carbo	134.090.402	1
15	Cylindric Handle with locking ring /spring	137.106.200	1	31	Liner Nut	117.101.101	10
16	Liner Carrier 3m.	145.050.301	1	32	Quick Connector	150.108.115	10

DELFOAUTOMIG

AIR AND LIQUID COOLED AUTOMIG TORCHES



MOD.	GEOMETRY	X	Y	DUTY CYCLE	RATING		Ø WIRE
	α	(mm)	(mm)		CO2	M21	(mm)
AM3	0°	176	--	60%	A 340	A 220	1,2 - 0,8
AM3	22°	169	42	60%	A 340	A 220	1,2 - 0,8
AM3	45°	142,3	88,5	60%	A 340	A 220	1,2 - 0,8
AM30	0°	157,5	--	100%	A 300	A 270	1,6 - 0,8
AM30	22°	151	35	100%	A 300	A 270	1,6 - 0,8
AM30	45°	129	75,5	100%	A 300	A 270	1,6 - 0,8
AM50	0°	179	--	100%	A 500	A 450	1,6 - 0,8
AM50	22°	171,5	40,5	100%	A 500	A 450	1,6 - 0,8
AM50	45°	146	86	100%	A 500	A 450	1,6 - 0,8
AM55	0°	181,5	--	100%	A 550	A 500	1,6 - 0,8
AM55	22°	174	41,5	100%	A 550	A 500	1,6 - 0,8
AM55	45°	148	87,5	100%	A 550	A 500	1,6 - 0,8



IMPORTANT
Design and manufacture of special torches with lengths and angles on request.



SERVICE & QUALITY

PREMIUM QUALITY
MADE IN ITALY

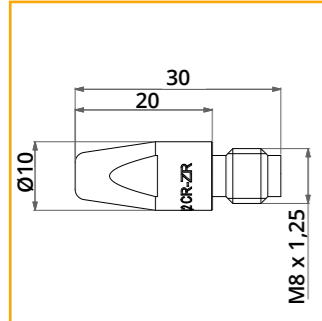
REPLACEMENT & ACCESSORIES

OTHER CONTACT TIPS AVAILABLE

REPLACEMENT & ACCESSORIES MIG - MAG

Contact Tips Ø 10 M8X30

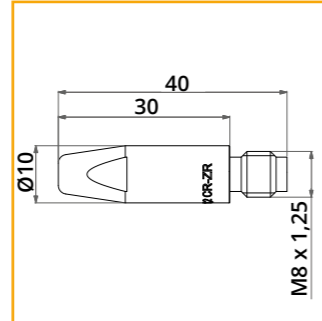
Cu - Cr - Zr



Ø WIRE	P/N
Ø 1,0	147.053.010
Ø 1,2	147.053.012
Ø 1,6	147.053.016

Contact Tips Ø 10 M8X40

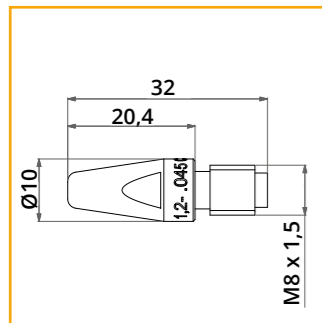
Cu - Cr - Zr



Ø WIRE	P/N
Ø 1,0	147.054.010
Ø 1,2	147.054.012
Ø 1,6	147.054.016

Contact Tip Ø 10 M8X32 type FR

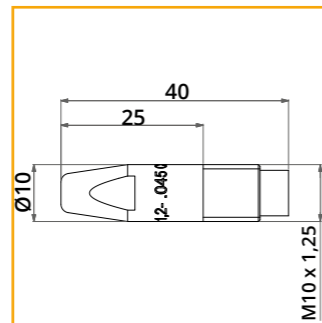
Cu - Cr - Zr



Ø WIRE	P/N
Ø 1,0	FR08-47210
Ø 1,2	FR08-47212
Ø 1,6	FR08-47216

Contact Tip Ø 10 M10X40 type FR

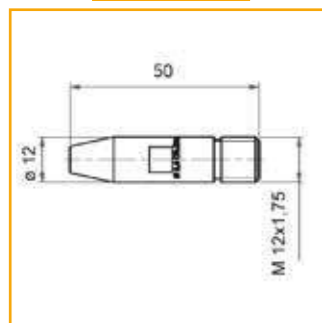
Cu - Cr - Zr



Ø WIRE	P/N
Ø 1,0	FR10-47210
Ø 1,2	FR10-47212
Ø 1,6	FR10-47216

Submerged Arc Welding Ø 12 Esab type

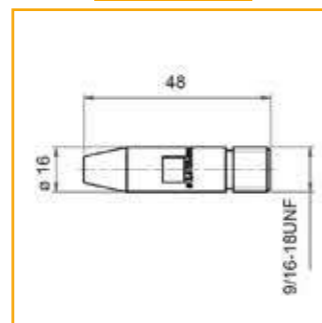
Cu - Cr - Zr



Ø WIRE	P/N
Ø 2,4	147.220.024
Ø 3,0	147.220.030
Ø 3,2	147.220.032

Submerged Arc Welding Ø 16 Lincoln type

Cu - Cr - Zr



Ø WIRE	P/N
Ø 1,6	147.120.016
Ø 2,0	147.120.020
Ø 2,4	147.120.024
Ø 3,0	147.120.030
Ø 3,2	147.120.032
Ø 4,0	147.120.040
Ø 5,0	147.120.050

P.S. Possibility of making tips with different length and threads

Conduit Liners

DESCRIPTION	COLOR	Ø I.D./O.D.	P/N	COIL.
Covered Liner	blue	1,5/4,0	155.024.015	53 m.
Covered Liner	yellow	20,4/8	155.024.820	53 m.
Covered Liner	red	2,0/4,0	155.024.020	53 m.
Covered Liner	white	2,4/4,8	155.024.824	53 m.
Uncovered Liner	-	2,0/4,8	155.014.820	53 m.
Uncovered Liner	-	2,4/4,8	155.014.824	53 m.

Cables, Hoses & Cover for MIG-MAG Torches

DESCRIPTION	COLOR	Ø I.D./O.D.	P/N	COIL.
Control Wire	black / brown	-	143.101.102	200 m.
Water in/out Hose	black	5,0/9,0	202.090.050	100 m.
Gas Hose	black	5,0/8,0	166.081.051	300 m.
Protective cover	black	28/31	175.300.280	100 m.

Other Accessories

DESCRIPTION	P / N	BAG
Male spring pin for Air Euro connector	183.102.100	10
Male spring pin for Water Euro connector	183.102.103	10
Male cylindrical lead	124.102.104	10
Female cylindrical lead	124.101.104	10
Trigger lead	124.103.101	10
Gas plug for Euro connector	150.110.101	10
"O" ring for Euro Gas plug	101.102.110	10
Blu cap	156.109.110	10
Red cap	156.109.109	10

BEING DIFFERENT

PREMIUM QUALITY
MADE IN ITALY

- » New ergonomic handle with "Grip" insert for best accessibility - optimum balance.
- » New series of modular switching and control functions integrated into the handle - Easy application.
- » New ball joint with optimum movement radius.
- » New design of the back box cable support, machine side.

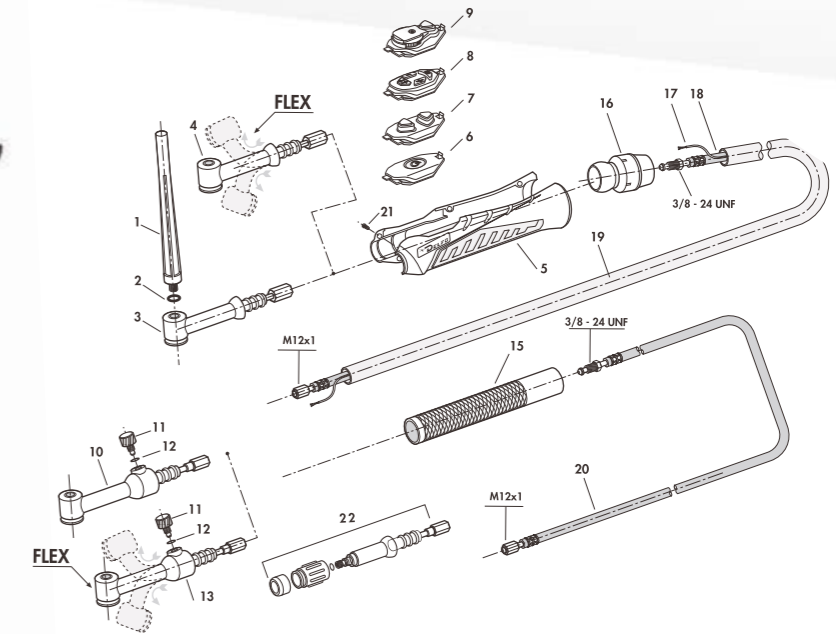


DT.9 / 9V - DELFOTIG - AIR

AIR COOLED TORCHES



DT.9 / 9V
DELFO TIG
AIR



COMPLETE TORCH P/N

MOD.	EU	D. 50/70	MK
DT.9.4	401.011.040	401.011.041	401.011.043
DT.9.8	401.011.080	401.011.081	401.011.083
DT.9F.4 (Flex)	401.111.040	401.111.041	401.111.043
DT.9F.8 (Flex)	401.111.080	401.111.081	401.111.083
DT.9A.4 (DIRITTA)	401.400.040	401.400.041	-
DT.9A.8 (DIRITTA)	401.400.080	401.400.081	-
DT.9V.4	401.200.040	401.200.041	-
DT.9V.8	401.200.080	401.200.081	-
DT.9VF.4	401.300.040	401.300.041	-
DT.9VF.8	401.300.080	401.300.081	-

TECHNICAL DATA

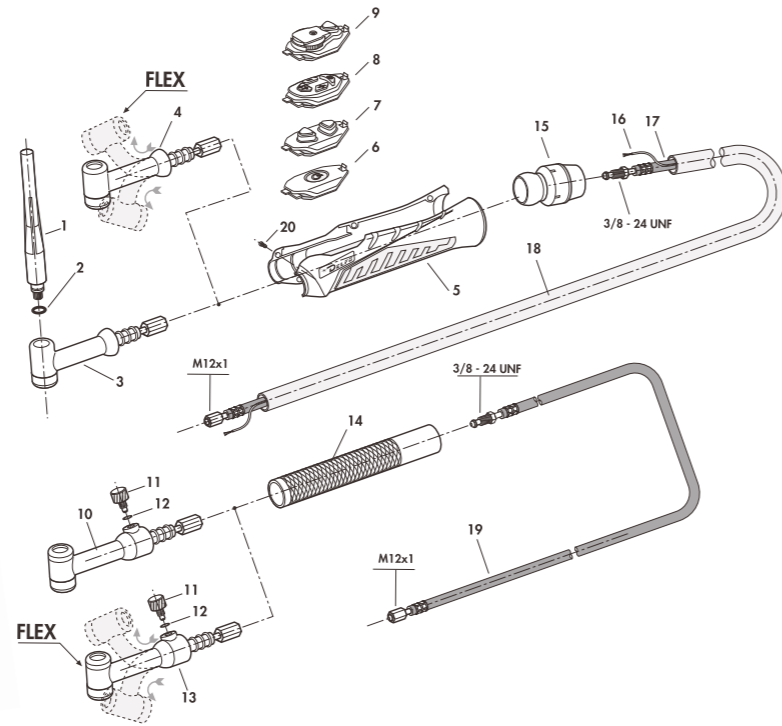
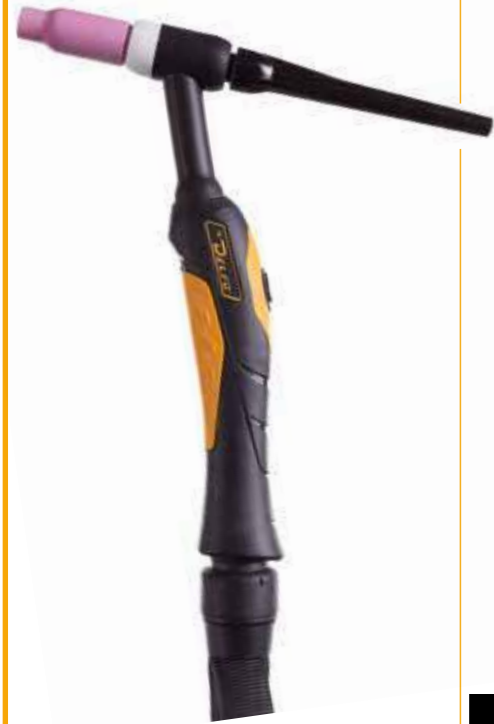
Technical data: (EN60974-7)
Rating: 110 A. DC
 80 A. AC
Duty Cycle: 35%
Tungsten Electrodes: 0,5-1,6 mm

REPLACEMENT PARTS

POS.	DESCRIPTION	P/N	BAG	POS.	DESCRIPTION	P/N	BAG
1	Long Back cap TIG 9-20	324.010.404	10	13	Flex torch body with Valve	416.108.009	1
2	"O" Ring	324.010.804	10	15	Round handle	437.102.101	1
3	Stnd. Torch Body	416.103.009	1	16	Knuckle joint	456.102.101	1
4	Flex Torch Body	416.107.009	1	17	Control cable with connector 4m.	443.001.401	1
5	Handle with screw	437.101.101	1	17	Control cable with connector 8m.	443.001.801	1
6	Single button switch	439.000.101	1	18	Power Cable 4m.	324.010.404	1
7	Two buttons switch	439.000.102	1	18	Power Cable 8m.	324.010.804	1
8	Four buttons switch	439.000.103	1	19	Protective Cover "Tubix"	175.002.220	1
9	Switch with potentiometer 4,7 Kohm	439.001.004	1	20	Power Cable for Valve 4m.	324.010.404	1
9	Switch with potentiometer 10 Kohm	439.001.010	1	20	Power Cable for Valve 8m.	324.010.804	1
10	Torch body with Valve	416.105.009	1	21	Handle screw	181.104.103	20
11	Valve with "O" ring	330.101.101	1	22	Straight torch body	316.106.503	1
12	"O" ring	101.102.112	10				

DT.17/ 17V - DELFOTIG - AIR

AIR COOLED TORCHES



COMPLETE TORCH P/N

DT.17 / 17V DELFOTIG AIR

TECHNICAL DATA

Technical data: (EN60974-7)
Rating: 140A. DC
100 A. AC
Duty Cycle: 35%
Tungsten Electrodes: 0,5-2,4 mm

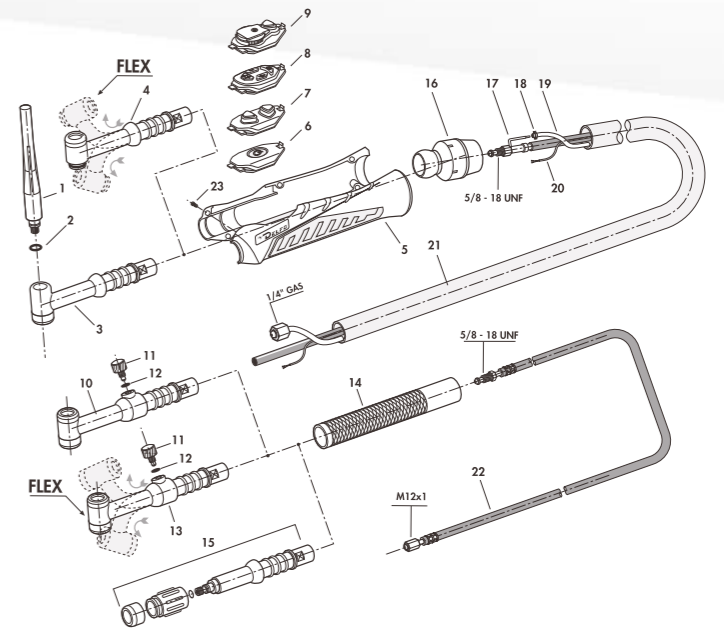
MOD.	EU	D. 50/70	MK
DT.17.4	410.011.040	410.011.041	410.011.043
DT.17.8	410.011.080	410.011.081	410.011.083
DT.17F.4 (Flex)	410.111.040	410.111.041	410.111.043
DT.17F.8 (Flex)	410.111.080	410.111.081	410.111.083
DT.17V.4	410.200.040	410.200.041	-
DT.17V.8	410.200.080	410.200.081	-
DT.17VF.4	410.300.040	410.300.041	-
DT.17VF.8	410.300.080	410.300.081	-

REPLACEMENT PARTS

POS.	DESCRIPTION	P/N	BAG	POS.	DESCRIPTION	P/N	BAG
1	Long Back cap TIG 17-26-18	321.102.101	10	12	"O" ring	101.102.112	10
2	"O" Ring	101.102.111	10	13	Flex torch body with Valve	416.108.017	1
3	Stnd. Torch Body	416.103.017	1	14	Round handle	437.102.101	1
4	Flex Torch Body	416.107.017	1	15	Knuckle joint	456.102.101	1
5	Handle with screw	437.101.101	1	16	Control cable with connector 4m.	443.001.401	1
6	Single button switch	439.000.101	1	16	Control cable with connector 8m.	443.001.801	1
7	Two buttons switch	439.000.102	1	17	Power Cable 4m.	324.010.404	1
8	Four buttons switch	439.000.103	1	17	Power Cable 8m.	324.010.804	1
9	Switch with potentiometer 4,7 Kohm	439.001.004	1	18	Protective Cover "Tubix"	175.002.220	1
9	Switch with potentiometer 10 Kohm	439.001.010	1	19	Power Cable for Valve 4m.	324.010.404	1
10	Torch body with Valve	416.105.017	1	19	Power Cable for Valve 8m.	324.010.804	1
11	Valve with "O" ring	330.101.101	1	20	Handle screw	181.104.103	20

DT.26 / 26V - DELFOTIG - AIR

AIR COOLED TORCHES



COMPLETE TORCH P/N

DT.26 / 26V DELFOTIG AIR

TECHNICAL DATA DT. 26

Technical data: (EN60974-7)
Rating: 250A. DC
200 A AC
Duty Cycle: 60%
Tungsten Electrodes: 0,5-4,0 mm

TECHNICAL DATA DT.26V

Technical data: (EN60974-7)
Rating: 180 A. DC
150 A. AC
Duty Cycle: 35%
Tungsten Electrodes: 0,5-4,0 mm

MOD.	EU	D. 35/50	D. 50/70	MK
DT.26.4	420.011.040	420.011.041		420.011.043
DT.26.8	420.011.080	420.011.081		420.011.083
DT.26F.4 (Flex)	420.111.040	420.111.041		420.111.043
DT.26F.8 (Flex)	420.111.080	420.111.081		420.111.083
DT.26A.4 (Straight)	420.401.040	420.401.041		
DT.26A.8 (Straight)	420.401.080	420.401.081		
DT.26V.4 (Valve)		420.200.040	420.200.041	
DT.26V.8 (Valve)		420.200.080	420.200.081	
DT.26VF.4 (Valv.Flex)		420.300.040	420.300.041	
DT.26VF.8 (Valv.Flex)		420.300.080	420.300.081	

REPLACEMENT PARTS

POS.	DESCRIPTION	P/N	BAG	POS.	DESCRIPTION	P/N	BAG
1	Long Back cap TIG 17-26-18	321.102.101	10	13	Flex torch body with Valve	316.108.502	1
2	"O" Ring	101.102.111	10	14	Round handle	337.102.102	1
3	Stnd. Torch Body	316.103.502	1	15	Straight torch body	416.106.102	1
4	Flex Torch Body	316.107.502	1	16	Knuckle joint	456.102.102	1
5	Handle with screw	437.101.102	1	17	Power Cable 4m.	325.010.403	1
6	Single button switch	439.000.101	1	17	Power Cable 8m.	325.010.803	1
7	Two buttons switch	439.000.102	1	18	Hose clamp Ø 9,5	101.106.202	20
8	Four buttons switch	439.000.103	1	19	Gas hose "black"	166.081.051	1
9	Switch with potentiometer 4,7 Kohm	439.001.004	1	20	Control cable with connector 4m.	443.001.401	1
9	Switch with potentiometer 10 Kohm	439.001.010	1	20	Control cable with connector 8m.	443.001.801	1
10	Torch body with Valve	316.105.102	1	21	Protective Cover "Tubix"	175.002.285	1
11	Valve with "O" ring	330.101.102	1	22	Power Cable for Valve 4m.	324.030.401	1
12	"O" ring	101.102.112	1	22	Power Cable for Valve 8m.	324.030.801	1
				23	Handle screw	181.104.103	10

DELFO TIG - DETAILS

MODULAR SWITCHING AND REMOTE CONTROL

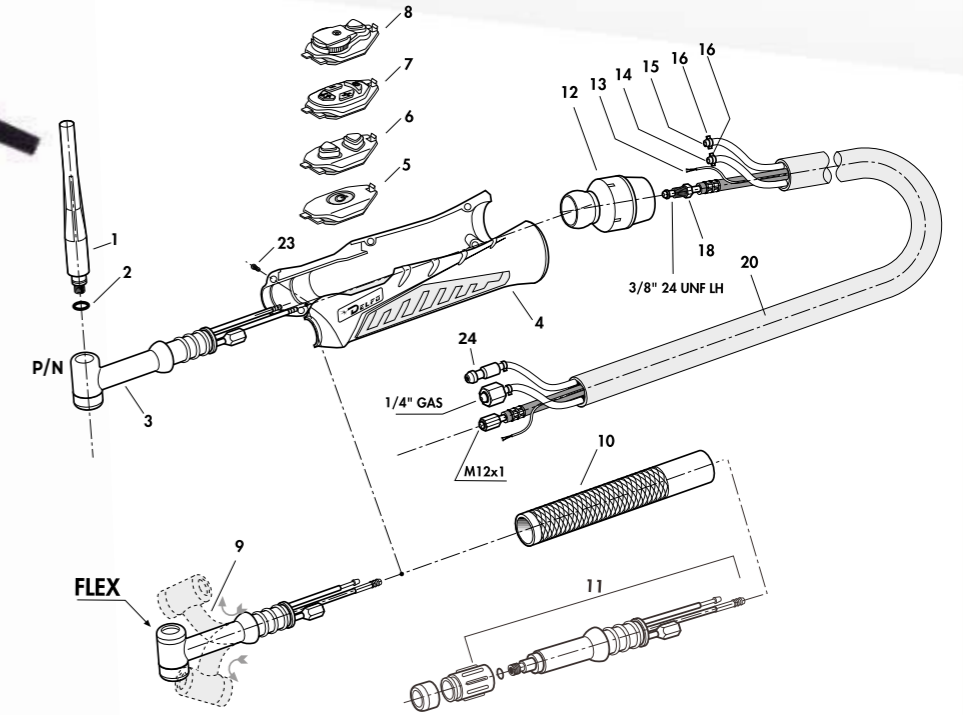


TUBIX OR LEATHER PROTECTIVE COVER



DT.18 - DELFOTIG - LIQUID

LIQUID COOLED TORCHES

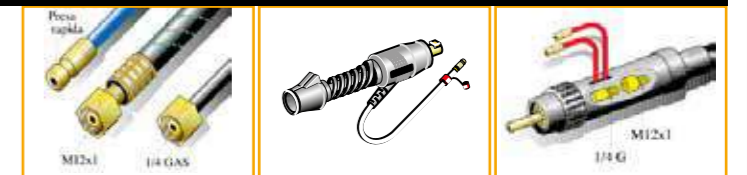


DT.18 DELFO TIG LIQUID

TECHNICAL DATA

Technical data:	(EN60974-7)
Rating:	320A. DC 230 A. AC
Duty Cycle:	100%
Tungsten Electrodes:	0,5-4,0 mm

COMPLETE TORCH P/N



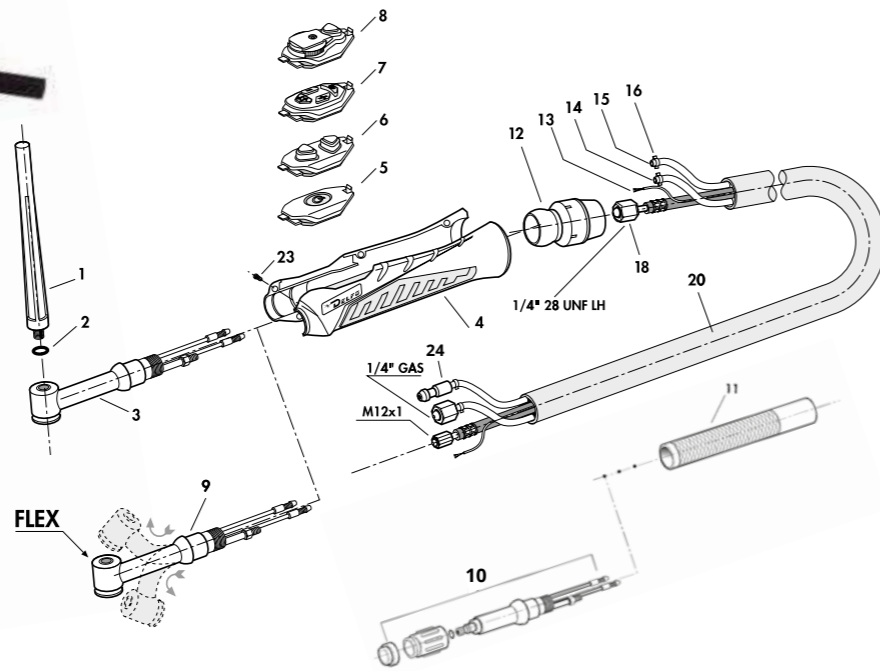
MOD.	EU	D. 50/70	MK
DT.18.4	430.011.040	430.011.041	430.011.043
DT.18.8	430.011.080	430.011.081	430.011.083
DT.18F.4 (Flex)	430.111.040	430.111.041	430.111.043
DT.18F.8 (Flex)	430.111.080	430.111.081	430.111.083
DT.18P.4 (straight)	430.401.040	430.401.041	430.401.043
DT.18P.8 (straight)	430.401.080	430.401.081	430.401.083

REPLACEMENT PARTS

POS.	DESCRIPTION	P/N	BAG	POS.	DESCRIPTION	P/N	BAG
1	Long Back cap TIG 17-26-18	321.102.101	10	12	Knuckle joint	456.102.102	1
2	"O" Ring	101.102.111	10	13	Control cable with connector 4m.	443.001.401	1
3	Stnd. Torch Body	316.102.501	1	13	Control cable with connector 8m.	443.001.801	1
4	Handle with screw	437.101.102	1	14	Gas hose "black"	166.081.051	1
5	Single button switch	439.000.101	1	15	Water hose "black"	202.070.040	1
6	Two buttons switch	439.000.102	1	16	Hose clamp Ø 9,5	101.106.202	10
7	Four buttons switch	439.000.103	1	18	Power Cable 4m.	312.010.403	1
8	Switch with potentiometer 4,7 Kohm	439.001.004	1	18	Power Cable 8m.	312.010.803	1
8	Switch with potentiometer 10 Kohm	439.001.010	1	20	Protective Cover "Tubix"	175.002.285	1
9	Flex torch body	316.107.504	1	23	Handle screw	181.104.103	20
10	Round handle	337.102.102	1	24	Quick Connector	150.108.115	10
11	Straight torch body	416.106.101	1				

DT.20 - DELFOTIG - LIQUID

LIQUID COOLED TORCHES



DT.20 DELFOTIG LIQUID

TECHNICAL DATA

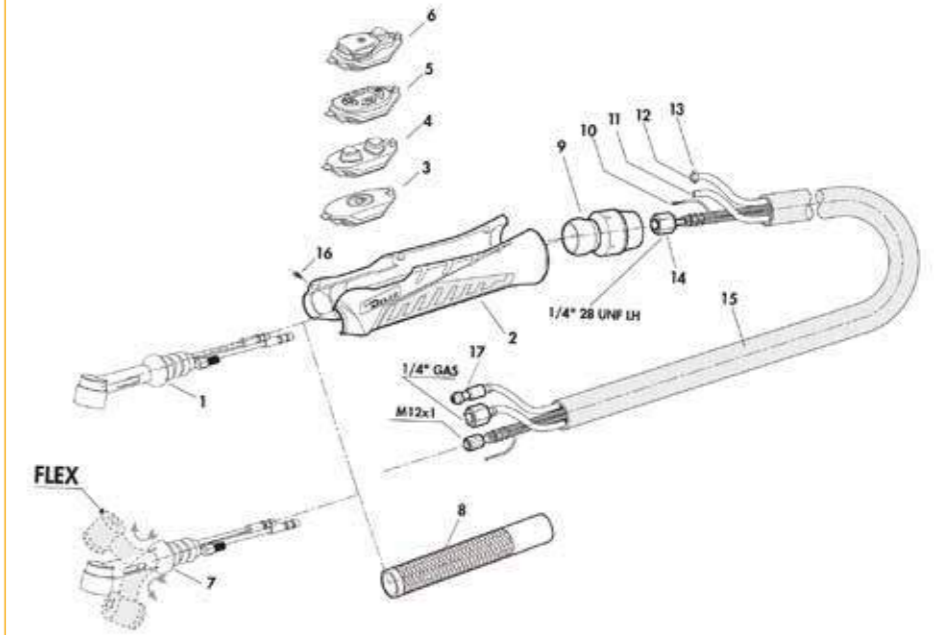
Technical data: (EN60974-7)
Rating: 250A. DC
 180 A. AC
Duty Cycle: 100%
Tungsten Electrodes: 0,5-3,2 mm

COMPLETE TORCH P/N				
MOD.	EU	D. 50/70	MK	
DT.20.4	440.011.040	440.011.041	440.011.043	
DT.20.8	440.011.080	440.011.081	440.011.083	
DT.20F.4 (Flex)	440.111.040	440.111.041	440.111.043	
DT.20F.8 (Flex)	440.111.080	440.111.081	440.111.083	
DT.20P.4 (straight)	440.401.040	440.401.041	440.401.043	
DT.20P.8 (straight)	440.401.080	440.401.081	440.401.083	

REPLACEMENT PARTS							
POS.	DESCRIPTION	P/N	BAG	POS.	DESCRIPTION	P/N	BAG
1	Long Back cap TIC 9-20	321.102.102	10	13	Control cable with connector 4m.	443.001.401	1
2	"O" Ring	101.102.112	10	13	Control cable with connector 8m.	443.001.801	1
3	Stnd. Torch Body	416.102.102	1	14	Gas hose "black"	166.060.040	1
4	Handle with screw	437.101.101	1	15	Water hose "black"	202.070.040	1
5	Single button switch	439.000.101	1	16	Hose clamp Ø 9,0	101.106.203	10
6	Two buttons switch	439.000.102	1	18	Power Cable 4m.	312.020.401	1
7	Four buttons switch	439.000.103	1	18	Power Cable 8m.	312.020.801	1
8	Switch with potentiometer 4,7 Kohm	439.001.004	1	20	Protective Cover "Tubix"	175.002.220	1
8	Switch with potentiometer 10 Kohm	439.001.010	1	23	Handle screw	181.104.103	20
9	Flex torch body	416.107.505	1	24	Quick Connector	150.108.115	10
10	Straight torch body	416.106.104	1				
11	Round handle	337.102.104	1				
12	Knuckle joint	456.102.101	1				

DT.24W - DELFOTIG - LIQUID

LIQUID COOLED TORCHES



DT.24 W DELFOTIG LIQUID

TECHNICAL DATA

Technical data: (EN60974-7)
Rating: 180A. DC
 125 A. AC
Duty Cycle: 100%
Tungsten Electrodes: 1,0-2,4 mm

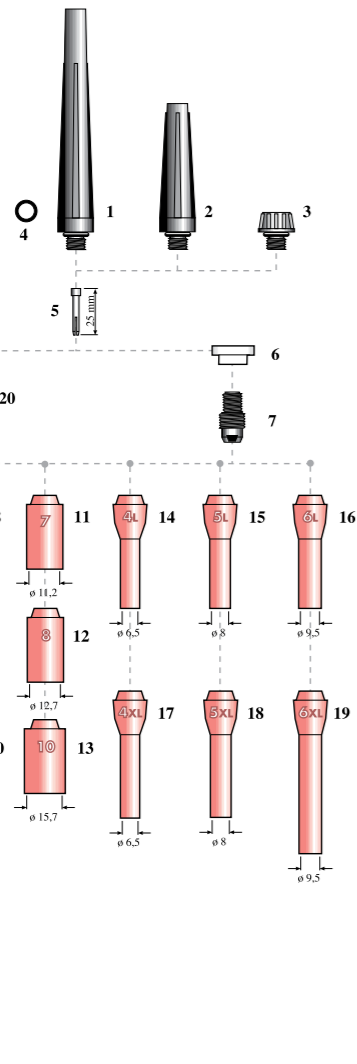
COMPLETE TORCH P/N				
MOD.	CAVI LIBERI	D. 50/70	MK	
DT.24W.4	460.011.040	460.011.041	460.011.043	
DT.24W.8	460.011.080	460.011.081	460.011.083	
DT.24WF.4(flex)	460.111.040	460.111.041	460.111.043	
DT.24WF.8(flex)	460.111.080	460.111.081	460.111.083	

REPLACEMENT PARTS							
POS.	DESCRIPTION	P/N	BAG	POS.	DESCRIPTION	P/N	BAG
1	Stnd. Torch Body	416.102.103	1	11	Gas hose "black"	166.060.040	1
2	Handle with screw	437.101.101	1	12	Water hose "black"	202.070.040	1
3	Single button switch	439.000.001	1	13	Hose clamp Ø 9,0	101.106.203	10
4	Two buttons switch	439.000.002	1	14	Power cable 4m	312.020.401	1
5	Four buttons switch	439.000.003	1	14	Power cable 8m	312.020.801	1
6	Switch with potentiometer 4,7 Kohm	439.001.004	1	15	Protection Cover "Tubix"	175.002.220	1
6	Switch with potentiometer 10 Kohm	439.001.010	1	16	Handle screw	181.104.103	20
7	Flex torch body	416.107.506	1	17	Quick connector	150.108.115	10
8	Round handle	337.102.104	1				
9	Knucle joint	452.102.101	1				
10	Control cable with connector 4m	443.001.401	1				
10	Control cable with connector 8m	443.001.801	1				

REPLACEMENT & ACCESSORIES TIG



WEAR PARTS DELFO TIG 9-20

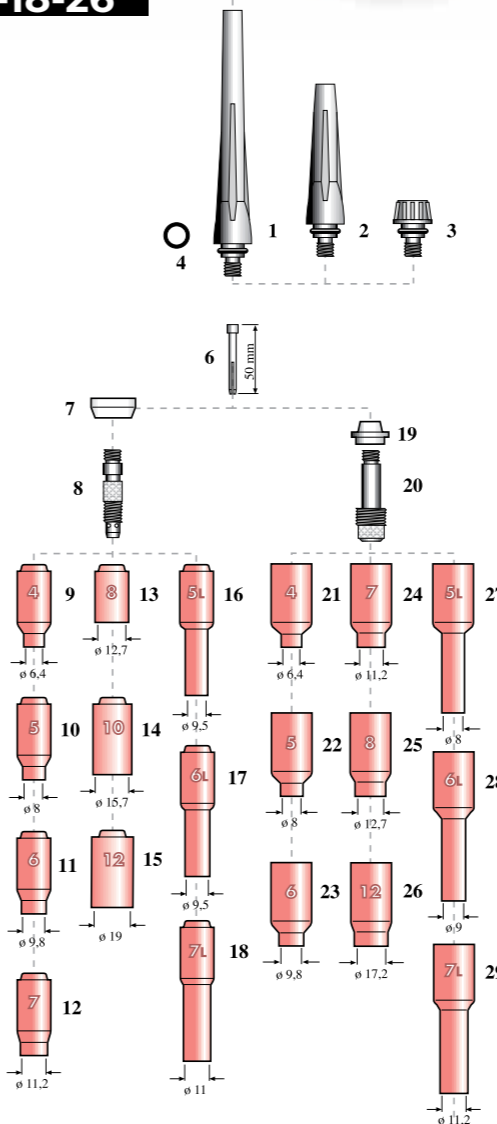


POS.	DESCRIPTION	P / N	BAG
1	Long Back cap 4IV24	321.102.102	10
2	Medium Back cap 4IV35	321.102.104	10
3	Short Back cap 4IV33	321.101.102	10
4	"o" ring OR 2018	101.102.112	10
5	Collet Ø 1,0 13N21	313.102.010	10
5	Collet Ø 1,6 13N22	313.102.016	10
5	Collet Ø 2,0	313.102.020	10
5	Collet Ø 2,4 13N23	313.102.204	10
5	Collet Ø 3,2 13N24	313.102.032	10
6	Teflon gasket 598882	335.101.102	10
7	Collet Body Ø 1,0 13N26	314.103.010	10
7	Collet Body Ø 1,6 13N27	314.103.016	10
7	Collet Body Ø 2,0	314.103.020	10
7	Collet Body Ø 2,4 13N28	314.103.024	10
7	Collet Body Ø 3,2 13N29	314.103.032	10
8	Alumina Cup Gr.4 13N08	379.102.104	10
9	Alumina Cup Gr.5 13N09	379.102.105	10
10	Alumina Cup Gr.6 13N10	379.102.106	10
11	Alumina Cup Gr.7 13N11	379.102.107	10
12	Alumina Cup Gr.8 13N12	379.102.108	10
13	Alumina Cup Gr.10 13N13	379.102.110	10
14	Alumina Cup Gr.4L 796F71	379.102.204	10
15	Alumina Cup Gr.5L 796F72	379.102.205	10
16	Alumina Cup Gr.6L 796F73	379.102.206	10
17	Alumina Cup Gr.4 XL 796F75	379.102.304	10
18	Alumina Cup Gr.5 XL 796F76	379.102.305	10
19	Alumina Cup Gr.6 XL 796F77	379.102.306	10
20	Collet Body Gas Lens Ø 1,0 45V42	314.104.010	10
20	Collet Body Gas Lens Ø 1,6 45V43	314.104.016	10
20	Collet Body Gas Lens Ø 2,4 45V44	314.104.024	10
20	Collet Body Gas Lens Ø 3,2 45V45	314.104.032	10
21	Alumina Cup Gr.4 53N58 Gas Lens	379.104.104	10
22	Alumina Cup Gr.5 53N59 Gas Lens	379.104.105	10
23	Alumina Cup Gr.6 53N60 Gas Lens	379.104.106	10
24	Alumina Cup Gr.7 53N61 Gas Lens	379.104.107	10

REPLACEMENT & ACCESSORIES TIG



WEAR PARTS DELFO TIG 17-18-26

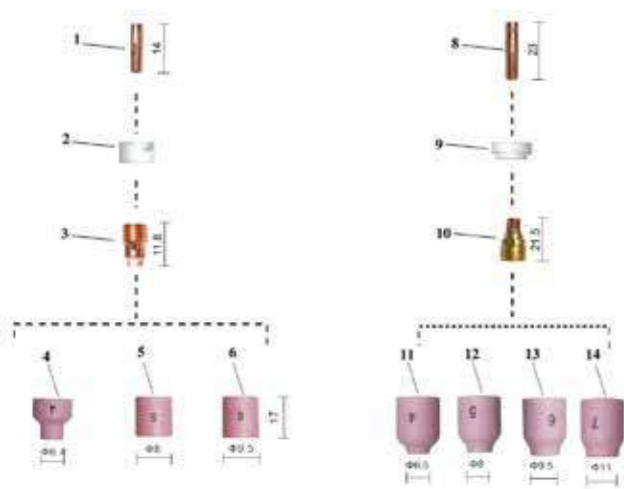


POS.	DESCRIPTION	P / N	BAG
1	Long Back cap 57Y02	321.102.101	10
2	Medium Back cap 57Y03	321.102.103	10
3	Short Back cap 57Y04	321.101.101	10
4	"o" ring OR 2037	101.102.111	10
6	Collet Ø 1,0 10N22	313.101.010	10
6	Collet Ø 1,6 10N23	313.101.016	10
6	Collet Ø 2,0	313.101.020	10
6	Collet Ø 2,4 10N24	313.101.024	10
6	Collet Ø 3,2 10N25	313.101.032	10
6	Collet Ø 4,0 54N20	313.101.040	10
7	Teflon gasket 18CG	335.101.101	10
8	Collet Body Ø 1,0 10N30	314.101.010	10
8	Collet Body Ø 1,6 10N31	314.101.016	10
8	Collet Body Ø 2,0	314.101.020	10
8	Collet Body Ø 2,4 10N32	314.101.024	10
8	Collet Body Ø 3,2 10N28	314.101.032	10
8	Collet Body Ø 4,0 406488	314.101.040	10
9	Alumina Cup Gr.4 10N50	379.101.104	10
10	Alumina Cup Gr.5 10N49	379.101.105	10
11	Alumina Cup Gr.6 10N48	379.101.106	10
12	Alumina Cup Gr.7 10N47	379.101.107	10
13	Alumina Cup Gr.8 10N46	379.101.108	10
14	Alumina Cup Gr.10 10N45	379.101.110	10
15	Alumina Cup Gr.12 10N44	379.101.112	10
16	Alumina Cup Gr.5L 10N49L	379.101.205	10
17	Alumina Cup Gr.6L 10N48L	379.101.206	10
18	Alumina Cup Gr.7L 10N47L	379.101.207	10
19	Teflon Gasket	335.102.101	10
20	Collet Body Gas Lens Ø 1,0 45V24	314.102.010	10
20	Collet Body Gas Lens Ø 1,6 45V25	314.102.016	10
20	Collet Body Gas Lens Ø 2,4 45V26	314.102.024	10
20	Collet Body Gas Lens Ø 3,2 45V27	314.102.032	10
20	Collet Body Gas Lens Ø 4,0 45V28	314.102.040	10
21	Alumina Cup Gr.4 54N18 Gas Lens	379.103.104	10
22	Alumina Cup Gr.5 54N17 Gas Lens	379.103.105	10
23	Alumina Cup Gr.6 54N16 Gas Lens	379.103.106	10
24	Alumina Cup Gr.7 54N15 Gas Lens	379.103.107	10
25	Alumina Cup Gr.8 54N14 Gas Lens	379.103.108	10
26	Alumina Cup Gr.12 54N19 Gas Lens	379.103.112	10
27	Alumina Cup Gr.5 L 54N17L Gas Lens	379.103.205	10
28	Alumina Cup Gr.6 L 54N16L Gas Lens	379.103.206	10
29	Alumina Cup Gr.7 L 54N15L Gas Lens	379.103.207	10

REPLACEMENT & ACCESSORIES TIG



WEAR PARTS DELFO TIG 24W



POS.	DESCRIPTION	P / N	BAG
1	Standard Collect Ø 1,0 53N16	313.103.010	10
1	Standard Collect Ø 1,6 53N14	313.103.016	10
1	Standard Collect Ø 2,4 24C332	313.103.024	10
2	Standard Cup Insulator lato ugello 53N22	335.101.103	10
3	Standard Collet Body Ø 1,0 53N18	314.105.010	10
3	Standard Collet Body Ø 1,6 53N19	314.105.016	10
3	Standard Collet Body Ø 2,4 24CB332	314.105.024	10
4	Alumina Cup Gr.4 53N24	379.102.404	10
5	Alumina Cup Gr.5 53N25	379.102.405	10
6	Alumina Cup Gr.6 53N27	379.102.406	10
8	Gas Lens Collet Ø 1,0 53N63	313.104.010	10
8	Gas Lens Collet Ø 1,6 53N64	313.104.016	10
8	Gas Lens Collet Ø 2,4 24GLC332	313.104.024	10
9	Standard Gas Lens Cup Insulator 53N66	335.102.103	10
10	Collet Body Gas Lens Ø 1,0 45V42	314.104.010	10
10	Collet Body Gas Lens Ø 1,6 45V43	314.104.016	10
10	Collet Body Gas Lens Ø 2,4 45V44	314.104.024	10
11	Alumina Body Gas Lens Gr.4 53N58 Gas Lens	379.104.104	10
12	Alumina Body Gas Lens Gr.5 53N59 Gas Lens	379.104.105	10
13	Alumina Body Gas Lens Gr.6 53N60 Gas Lens	379.104.106	10
14	Alumina Body Gas Lens Gr.7 53N61 Gas Lens	379.104.107	10

REPLACEMENT & ACCESSORIES TIG



Cables, Hoses & Cover for Tig Torches

DESCRIPTION	COLOR	Ø I.D./O.D.	P / N	COIL / BAG
Control Wire	black / brown	-	143.101.102	200 m.
Gas Hose TIG 20	black	4,0/6,0	166.060.040	250 m.
Gas Hose TIG 26-18	black	5,0/8,0	166.081.051	300 m.
Water Hose	black	4,0/7,0	202.070.040	100 m.
Protective Cover "Tubix" 9-17	-	-	175.002.220	81 m.
Protective Cover "Tubix" 18-26-20	-	-	175.002.285	81 m.
Rubber Protective Cover 9-17	-	-	173.230.210	
Rubber Protective Cover 18-26-20	-	-	173.280.260	
Leather Protective Cover	black	-	464.024.026	0,8 m.
Knuckle joint for leather cover	-	-	456.103.102	1

REPLACEMENT & ACCESSORIES TIG

REPLACEMENT & ACCESSORIES

TUNGSTEN ELECTRODES

CONNECTOR

» New design of the back box cable support, machine side.



Tig torch connectors

TIG CONNECTOR	TORCH MODEL	P / N	BAG
	DT.9-17 SA.9-9V SA.17-17V SA.26V	442.100.104	1
	DT.26 SA.26	442.100.105	1
	DT.20 - SA.20 DT.18 - SA.18	442.100.110 442.100.111	1
	DT.9-17 SA.9-17	342.105.107	1
	DT.26 SA.26	342.105.109	1
	DT.18-20 SA.18-20	342.105.108	1

ELECTRODES

DIFFERENCES

PURE TUNGSTEN WP

WP pure tungsten electrodes (minimum tungsten content is 99.5%, with no other impurities) were the first to be used in TIG welding. The pure tungsten electrode is the best choice for AC welding, even if they can be used in DC. It keeps the surface of the base material particularly clean, has a good conductivity and by heating it tends to assume a regular circular shape, a characteristic that does not make continuous sharpening necessary during use. The welding arc is stable even with very low current, so that aluminum, magnesium and other metals can be welded even with currents below 5 amperes.

CERIATED TUNGSTEN WC20

Ceriated tungsten electrode contains 1.8%-2.2% ceria, electron work is 2.4eV. This electrode plays a good performance on starting arc and stabilizing arc with low current. Therefore, ceriated tungsten electrode are commonly using in pipeline, stainless steel and small precision parts welding. And it's the first choice when the condition is in the low and direct current or the diameter demands blew 2.0mm. The mobility of cerium oxide is quite high, so, ceriated tungsten is not suitable for the application in the high current. If it's used in the high current, the oxide may accelerate to the high hot area, which is the top of the tungsten electrode, and the uniformity of oxide may suffer damage, the benefit brought by cerium oxide will disappear.

TUNGSTEN WL 10 LANTHANATED 1%

TUNGSTEN WL 15 LANTHANATED 1,5%

TUNGSTEN WL 20 LANTHANATED 2%

Lanthanated tungsten electrodes contains 0,8 -2,2% lanthanum, the electron work function is 2,8 eV 3,0 eV. Electrodes very easy to start, with very good stability at low current, it is mainly used in DC, with good performance well in AC welding. Lanthanum, whit good creep resistance, strong ductility, lower stirring rate, keeps the tip temperature of electrodes lower, which helps to prevent grain from becoming larger, and the service life of electrode can be increased substantially. The lifetime of lanthanated tungsten electrodes is longer than thoriated tungsten. It is particularly good at preventing thermal shock. Also in the short cycle welding when you ignite repeatedly, it can be welded very well and prevent pollution. When welding pipeline, welders are satisfied with this lanthanated tungsten electrodes, because the downtime will be reduce.

TUNGSTEN WS2 RARE HEARTH

TUNGSTEN WS3 RARE HEARTH

Tungsten Electrodes with rare earth (mixed oxides). In comparison to thoriated electrodes this electrode is less harmful to the environment and not radioactive. The electrodes offer excellent ignition characteristics and consistent welding properties. They are universal and suitable for all applications in the whole range of DC and AC welding, for non-alloyed and high-alloyed steel, aluminum, titanium, nickel, copper and magnesium alloys. With their great ignition property, they are suitable for automated welding. Due to the low electrode temperature, they offer an increased current carrying capacity and long service life than thoriated electrodes.

THE ADVANTAGES AT A GLANCE:

- » The welder is no longer exposed to radiation.
- » Reduced environment impact. Remaining pieces and grinding dust are no longer treated as hazardous.
- » No special safeguards required for storage and transport.
- » Electrode tip remains "cooler" than thoriated types
- » Superior repeatable ignition
- » Increased arc stability
- » Reduced burn off
- » Higher current carrying capacity
- » Lower degradation to the electrode tip
- » Increased application flexibility



ELECTRODE LENGHT 175 MM Ø	PURE TUNGSTEN WP	TUNGSTEN CERIATED WC20 2%	TUNGSTEN WL 10 LANTHANATED 1%	TUNGSTEN WL 15 LANTHANATED 1,5%	TUNGSTEN WL 20 LANTHANATED 2%	TUNGSTENO WS2 RARE HEARTH	TUNGSTENO WS3 RARE HEARTH
1,0	300.017.510	300.217.510	300.317.510	300.417.510	300.517.510	300.617.510	300.717.510
1,6	300.017.516	300.217.516	300.317.516	300.417.516	300.517.516	300.617.516	300.717.516
2,4	300.017.524	300.217.524	300.317.524	300.417.524	300.517.524	300.617.524	300.717.524
3,2	300.017.532	300.217.532	300.317.532	300.417.532	300.517.532	300.617.532	300.717.532
4,0	300.017.540	300.217.540	300.317.540	300.417.540	300.517.540	300.617.540	300.717.540



DELFO S.r.l.

Via Benaco,1/3 - 20098
San Giuliano Milanese - Milano - Italy
Tel.: +39 02 87205264

e-mail: info@delfoweld.com
www.delfoweld.com