



DOKE®
welding.torches.

by
DELFO
WELDING TECHNOLOGIES

MADE IN ITALY

ABOUT US

DOKE Welding Torches

is a brand that proposes itself on the market of **MIG / MAG** welding torches to offer its customers the opportunity to purchase and use a 100%

Made in Italy product.

The torch models available are positioned in the most competitive segment of the market, in which we will be present thanks to the quality and price of our products.



DOKE[®]
welding.torches.



MADE IN ITALY

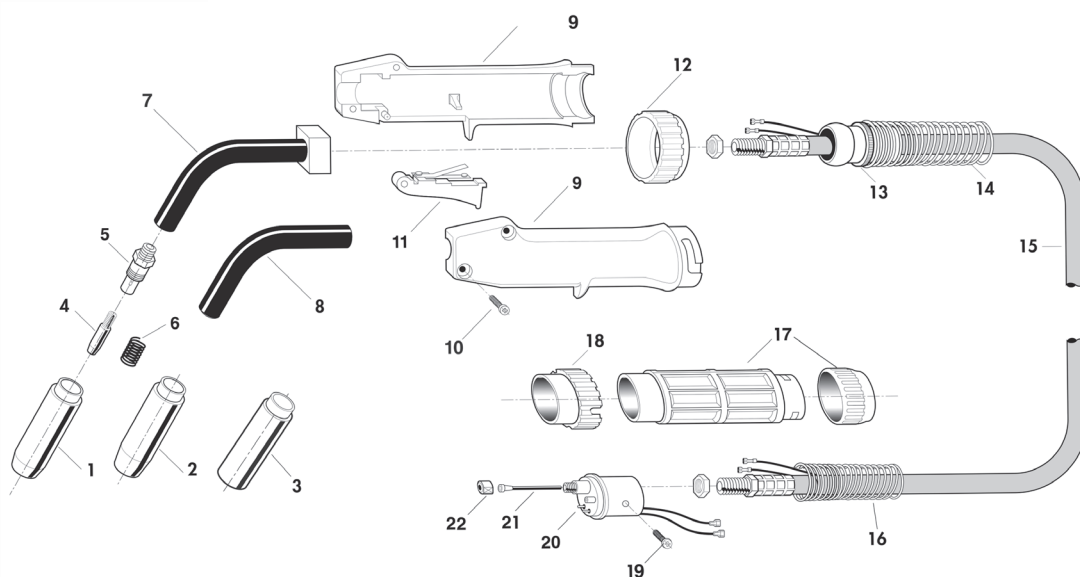
EK.15

Technical data (EN 60974-7)

Rating	150 A. CO ₂ 100 A. Mixed Gas (M21)
Duty Cycle	60%
Wire Size	0,6 – 1,0 mm

COMPLETE TORCHES

MOD	PART NO.	L.
EK15.3	EK15-61307	3 m.
EK15.4	EK15-61407	4 m.
EK15.5	EK15-61507	5 m.



SPARE PARTS LIST

POS.	DESCRIPTION	PART NO.	BAG	POS.	DESCRIPTION	PART NO.	BAG
1*	Conical nozzle Ø 12	EK15-79051	10	15	Power cable 4m.	106.160.401	1
2	Conical nozzle Ø 9,5	EK15-79091	10	15	Power cable 5m.	106.160.501	1
3	Cylindrical nozzle Ø 16	EK15-79041	10	16	Spring (back side)	EK15-41601	1
4	Contact tip M6x25mm - Ø 0,6 E-Cu	EK15-47706	20	17	Back support complete	EK15-56011	1
4*	Contact tip M6x25mm - Ø 0,8 E-Cu	EK15-47708	20	18	Locking ring	EK15-27001	1
4	Contact tip M6x25mm - Ø 1,0 E-Cu	EK15-47710	20	19	Support screw	181.106.101	20
5	Gas diffuser - Tip holder	EK15-18031	10	20	Euro connector (spring pins)	EK15-42027	1
6	Nozzle spring	EK15-41001	10	21*	Blue liner 3m. for wires Ø 0,6/1,0	130.020.302	1
7	Torch body with insulating tube	EK15-16031	1	21*	Blue liner 4m. for wires Ø 0,6/1,0	130.020.402	1
8	Insulating tube	140.104.501	1	21*	Blue liner 5m. for wires Ø 0,6/1,0	130.020.502	1
9	Handle complete	137.100.110	1	21	Teflon liner 3m. for Al. wires Ø 0,8/1,0	134.110.302	1
10	Handle screw	181.103.105	20	21	Teflon liner 4m. for Al. wires Ø 0,8/1,0	134.110.402	1
11	Complete bladeswitch	146.101.102	5	21	Teflon liner 5m. for Al. wires Ø 0,8/1,0	134.110.502	1
12	Handle locking ring	127.108.101	1	21	Carbo liner 4m. for Al. wires Ø 0,8/1,0	134.030.402	1
13	Knuckle joint	156.102.106	1	21	Carbo liner 5m. for Al. wires Ø 0,8/1,0	134.030.502	1
14	Spring (handle side)	141.106.110	1	22	Liner nut	117.101.101	10
15	Power cable 3m.	106.160.301	1				

* Standard

EK.25

Technical data (EN 60974-7)

Rating	260 A. CO ₂
	200 A. Mixed Gas (M21)
Duty Cycle	60%
Wire Size	0,8 - 1,2 mm

COMPLETE TORCHES

MOD	PART NO.	L.
EK25.3	EK25-61300	3 m.
EK25.4	EK25-61400	4 m.
EK25.5	EK25-61500	5 m.



SPARE PARTS LIST

POS.	DESCRIPTION	PART NO.	BAG
1*	Conical nozzle Ø 15	EK25-79051	10
2	Conical nozzle Ø 11,5	EK25-79091	10
3	Cylindrical nozzle Ø 18	EK25-79041	10
4*	Contact tip M6x28mm - Ø 0,8 E-Cu	EK25-47108	20
4	Contact tip M6x28mm - Ø 1,0 E-Cu	EK25-47110	20
4	Contact tip M6x28mm - Ø 1,2 E-Cu	EK25-47112	20
4	Contact tip M6x28mm - Ø 0,8 E-Cu - Al	EK25-47108-AL	20
4	Contact tip M6x28mm - Ø 1,0 E-Cu - Al	EK25-47110-AL	20
4	Contact tip M6x28mm - Ø 1,2 E-Cu - Al	EK25-47112-AL	20
4	Contact tip M6x28mm - Ø 0,8 Cu-Cr-Zr	EK25-47208	20
4	Contact tip M6x28mm - Ø 1,0 Cu-Cr-Zr	EK25-47210	20
4	Contact tip M6x28mm - Ø 1,2 Cu-Cr-Zr	EK25-47212	20
5	Gas diffuser - Tip holder M6	EK25-18031	10
6	Nozzle holder	EK25-50121	1
7	Torch body with insulating tube	EK25-16032	1
8	Insulating tube	140.104.130	1
9	Handle complete	537.100.301	1
10	Handle screw	181.103.108	20
11	Complete bladeswitch	146.101.102	5
13	Knuckle joint	156.102.109	1
14	Spring (handle side)	141.106.116	1
15	Power cable 3m.	108.250.301	1
15	Power cable 4m.	108.250.401	1
15	Power cable 5m.	108.250.501	1
16	Spring (back side)	EK15-41601	1
17	Back support complete	EK15-56011	1
18	Locking ring	EK15-27001	1
19	Support screw	181.106.101	20
20	Euro connector (spring pins)	EK15-42027	1
21*	Blue liner 3m. for wires Ø 0,6/1,0	130.020.302	1
21*	Blue liner 4m. for wires Ø 0,6/1,0	130.020.402	1
21*	Blue liner 5m. for wires Ø 0,6/1,0	130.020.502	1
20	Red liner 3m. for wires Ø 1,0/1,2	130.050.302	1
20	Red liner 4m. for wires Ø 1,0/1,2	130.050.402	1
20	Red liner 5m. for wires Ø 1,0/1,2	130.050.502	1
20	Teflon liner 3m. for Al. wires Ø 0,8/1,0	134.110.302	1
20	Teflon liner 4m. for Al. wires Ø 0,8/1,0	134.110.402	1
20	Teflon liner 5m. for Al. wires Ø 0,8/1,0	134.110.502	1
20	Teflon liner 3m. for Al. wires Ø 1,0/1,2	134.060.302	1
20	Teflon liner 4m. for Al. wires Ø 1,0/1,2	134.060.402	1
20	Teflon liner 5m. for Al. wires Ø 1,0/1,2	134.060.502	1
20	Carbo liner 4m. for Al. wires Ø 0,8/1,0	134.030.402	1
20	Carbo liner 5m. for Al. wires Ø 0,8/1,0	134.030.502	1
20	Carbo liner 4m. for Al. wires Ø 1,2/1,6	134.090.402	1
20	Carbo liner 5m. for Al. wires Ø 1,2/1,6	134.090.502	1
21	Liner nut	117.101.101	10

* Standard

EK.36

Technical data (EN 60974-7)

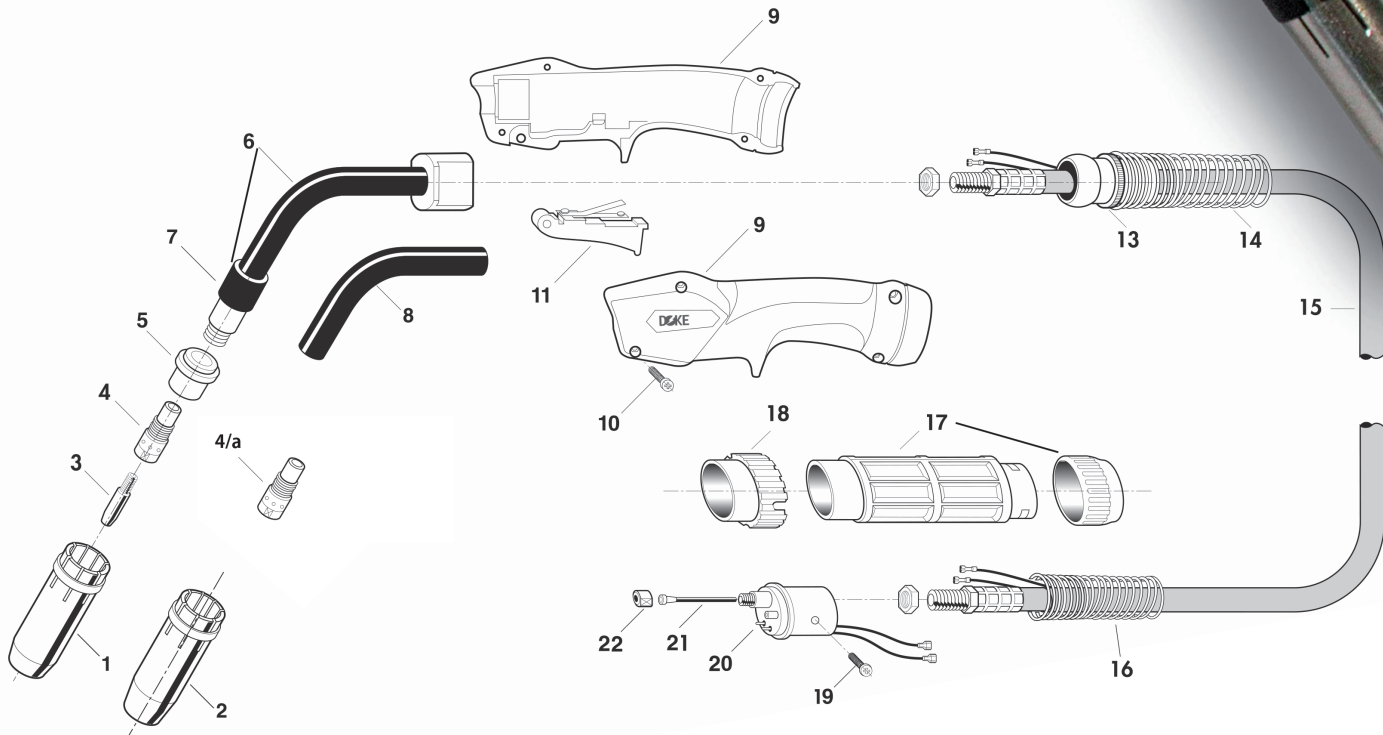
Rating 340 A. CO²
220 A. Mixed Gas (M21)

Duty Cycle 60%

Wire Size 0,8 - 1,2 mm

COMPLETE TORCHES

MOD	PART NO.	L.
EK36.3	EK36-61300	3 m.
EK36.4	EK36-61400	4 m.
EK36.5	EK36-61500	5 m.



SPARE PARTS LIST

POS.	DESCRIPTION	PART NO.	BAG
1*	Conical nozzle Ø 16	EK36-79051	10
2	Conical nozzle Ø 12	EK36-79091	10
3	Contact tip M8x30mm - Ø 0,8 E-Cu	EK36-47108	20
3*	Contact tip M8x30mm - Ø 1,0 E-Cu	EK36-47110	20
3	Contact tip M8x30mm - Ø 1,2 E-Cu	EK36-47112	20
3	Contact tip M8x30mm - Ø 1,4 E-Cu	EK36-47114	20
3	Contact tip M8x30mm - Ø 1,0 E-Cu - Al	EK36-47110-AL	20
3	Contact tip M8x30mm - Ø 1,2 E-Cu - Al	EK36-47112-AL	20
3	Contact tip M8x30mm - Ø 0,8 Cu-Cr-Zr	EK36-47208	20
3	Contact tip M8x30mm - Ø 1,0 Cu-Cr-Zr	EK36-47210	20
3	Contact tip M8x30mm - Ø 1,2 Cu-Cr-Zr	EK36-47212	20
3	Contact tip M8x30mm - Ø 1,4 Cu-Cr-Zr	EK36-47214	20
4*	Tip holder M8x28mm	EK36-18003	10
4A	Tip holder M6x28mm	EK36-18002	10
5	Gas diffuser - ceramic	EK36-18041	10
6	Torch body with nozzle holder	EK36-16032	1
7	Nozzle holder	EK36-50121	1
8	Insulating tube	140.104.502	1
9	Handle complete	537.100.301	1
10	Handle screw	181.103.108	20
11	Complete bladeswitch	146.101.102	5
13	Knuckle joint	156.102.109	1
14	Spring (handle side)	141.106.116	1
15	Power cable 3m.	EK36-08353	1
15	Power cable 4m.	EK36-08354	1
15	Power cable 5m.	EK36-08355	1
16	Spring (back side)	EK15-41601	1
17	Back support complete	EK15-56011	1
18	Locking ring	EK15-27001	1
19	Support screw	181.106.101	20
20	Euro connector (spring pins)	EK36-42027	1
21	Blue liner 3m. for wires Ø 0,6/1,0	130.020.302	1
21	Blue liner 4m. for wires Ø 0,6/1,0	130.020.402	1
21	Blue liner 5m. for wires Ø 0,6/1,0	130.020.502	1
21*	Red liner 3m. for wires Ø 1,0/1,2	130.050.302	1
21*	Red liner 4m. for wires Ø 1,0/1,2	130.050.402	1
21*	Red liner 5m. for wires Ø 1,0/1,2	130.050.502	1
21	Teflon liner 3m. for Al. wires Ø 0,8/1,0	134.110.302	1
21	Teflon liner 4m. for Al. wires Ø 0,8/1,0	134.110.402	1
21	Teflon liner 5m. for Al. wires Ø 0,8/1,0	134.110.502	1
21	Teflon liner 3m. for Al. wires Ø 1,0/1,2	134.060.302	1
21	Teflon liner 4m. for Al. wires Ø 1,0/1,2	134.060.402	1
21	Teflon liner 5m. for Al. wires Ø 1,0/1,2	134.060.502	1
21	Carbo liner 4m. for Al. wires Ø 0,8/1,0	134.030.402	1
21	Carbo liner 5m. for Al. wires Ø 0,8/1,0	134.030.502	1
21	Carbo liner 4m. for Al. wires Ø 1,2/1,6	134.090.402	1
21	Carbo liner 5m. for Al. wires Ø 1,2/1,6	134.090.502	1
22	Liner nut	117.101.501	10

* Standard

EK.501

Technical data (EN 60974-7)

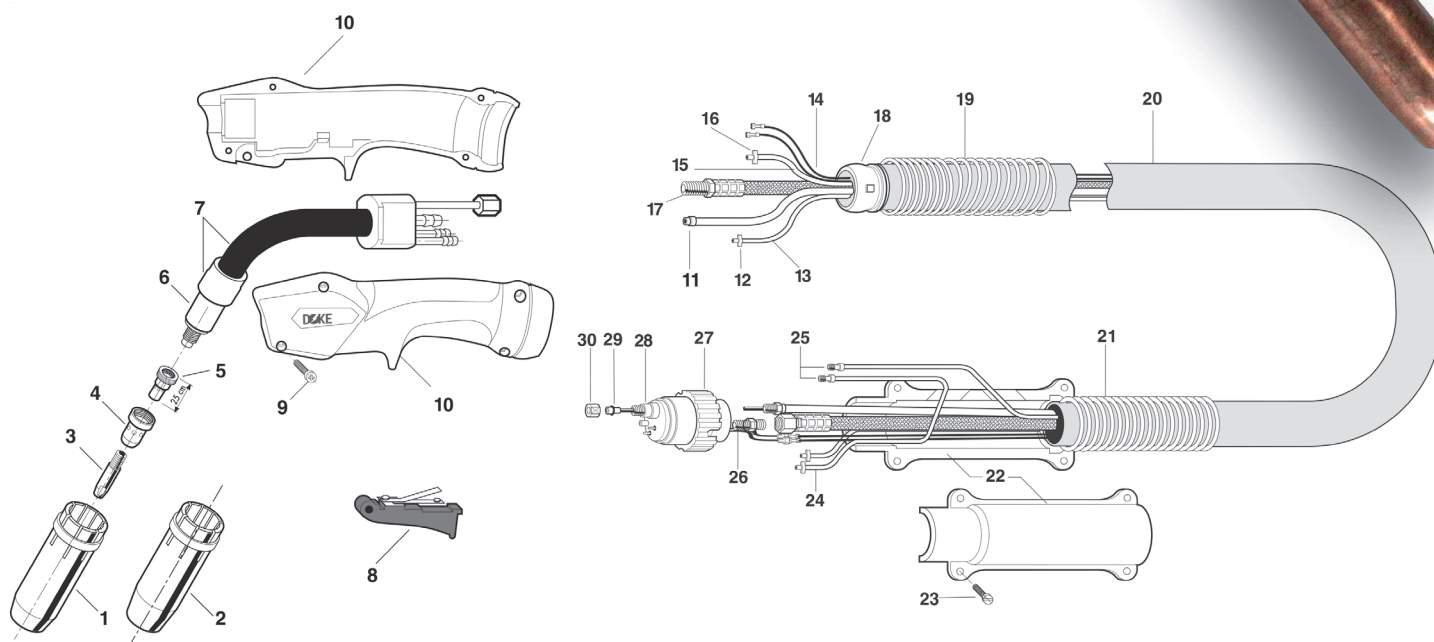
Rating 500 A. CO²
450 A. Mixed Gas (M21)

Duty Cycle 100%

Wire Size 0,8 - 1,6 mm

COMPLETE TORCHES

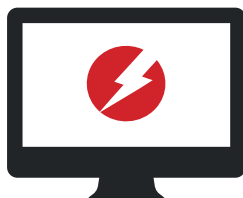
MOD	PART NO.	L.
EK501.3	EK50-60300	3 m.
EK501.4	EK50-60400	4 m.
EK501.5	EK50-60500	5 m.



SPARE PARTS LIST

POS.	DESCRIPTION	PART NO.	BAG
1*	Conical nozzle Ø 16	EK50-79051	10
2	Conical nozzle Ø 14	EK50-79091	10
3	Contact tip M8x30mm - Ø 0,8 E-Cu	EK36-47108	20
3	Contact tip M8x30mm - Ø 1,0 E-Cu	EK36-47110	20
3	Contact tip M8x30mm - Ø 1,2 E-Cu	EK36-47112	20
3	Contact tip M8x30mm - Ø 1,4 E-Cu	EK36-47114	20
3	Contact tip M8x30mm - Ø 1,6 E-Cu	EK36-47116	20
3	Contact tip M8x30mm - Ø 1,0 E-Cu - Al	EK36-47110-AL	20
3	Contact tip M8x30mm - Ø 1,2 E-Cu - Al	EK36-47112-AL	20
3	Contact tip M8x30mm - Ø 1,6 E-Cu - Al	EK36-47116-AL	20
3	Contact tip M8x30mm - Ø 0,8 Cu-Cr-Zr	EK36-47208	20
3	Contact tip M8x30mm - Ø 1,0 Cu-Cr-Zr	EK36-47210	20
3*	Contact tip M8x30mm - Ø 1,2 Cu-Cr-Zr	EK36-47212	20
3	Contact tip M8x30mm - Ø 1,4 Cu-Cr-Zr	EK36-47214	20
3	Contact tip M8x30mm - Ø 1,6 Cu-Cr-Zr	EK36-47216	20
4	Gas diffuser - ceramic	EK50-18041	10
5	Tip holder M8x25mm	EK50-18051	10
6	Nozzle holder	EK50-50201	1
7	Torch body with nozzle holder	EK50-16180	1
8	Complete bladeswitch	146.101.102	5
9	Handle screw	181.103.108	20
10	Handle complete	537.100.301	1
11	Liner Carrier 3m.	EK50-45513	1
11	Liner Carrier 4m.	EK50-45514	1
11	Liner Carrier 5m.	EK50-45515	1
12	Hose clamp Ø 9,5	101.106.202	10
13	Gas hose	166.081.051	1
14	Control cable	143.101.102	1
15	Water hose blue	EK50-20285B	1
16	Hose clamp Ø 9,5	101.106.202	10
17	Power cable 3m.	EK50-12503	1
17	Power cable 4m.	EK50-12504	1
17	Power cable 5m.	EK50-12505	1
18	Knuckle joint	156.102.109	1
19	Spring (handle side)	141.106.115	1
20	Outer cover	175.300.280	1
21	Spring (back side)	141.106.109	1
22	Back cable support	156.101.106	1
23	Support screw	181.103.103	20
24	Water hose red	EK50-20285R	1
25	Quick connector	150.108.115	10
26	Adapter for Euro connector	EK50-51140	1
27	Locking ring	127.102.102	1
28	Euro connector (spring pins)	142.105.123	1
29	Liner 3m. for wires Ø 1,0/1,2	EK50-30203	1
29	Liner 4m. for wires Ø 1,0/1,2	EK50-30204	1
29	Liner 5m. for wires Ø 1,0/1,2	EK50-30205	1
29*	Liner 3m. for wires Ø 1,2/1,6	EK50-30253	1
29*	Liner 4m. for wires Ø 1,2/1,6	EK50-30254	1
29*	Liner 5m. for wires Ø 1,2/1,6	EK50-30255	1
29	Teflon liner 3m. for Al. wires Ø 0,8/1,0	134.110.302	1
29	Teflon liner 4m. for Al. wires Ø 0,8/1,0	134.110.402	1
29	Teflon liner 5m. for Al. wires Ø 0,8/1,0	134.110.502	1
29	Teflon liner 3m. for Al. wires Ø 1,0/1,2	134.060.302	1
29	Teflon liner 4m. for Al. wires Ø 1,0/1,2	134.060.402	1
29	Teflon liner 5m. for Al. wires Ø 1,0/1,2	134.060.502	1
29	Teflon liner 3m. for Al. wires Ø 1,2/1,6	134.070.302	1
29	Teflon liner 4m. for Al. wires Ø 1,2/1,6	134.070.402	1
29	Teflon liner 5m. for Al. wires Ø 1,2/1,6	134.070.502	1
29	Carbo liner 4m. for Al. wires Ø 0,8/1,0	134.030.402	1
29	Carbo liner 5m. for Al. wires Ø 0,8/1,0	134.030.502	1
29	Carbo liner 4m. for Al. wires Ø 1,2/1,6	134.090.402	1
29	Carbo liner 5m. for Al. wires Ø 1,2/1,6	134.090.502	1
30	Liner nut	117.101.101	10

* Standard



www.dokeweld.com

Follow us:



Produced and distributed by:



DELFO S.r.l.
Via Benaco, 1/3
20098 San Giuliano Milanese
Milano - Italy
Tel.: +39 02 87205264
Email: info@delfoweld.com

MADE IN ITALY

