

Strong Hand Tools

The Big Book of Efficient Workholding for Welding & Fabrication.

Welding Clamps & Pliers

Magnetic Squares

Fixture Vises

Grounding Tools

**Shop Equipment
and Organization**



StrongHandTools®

StrongHandTools.com 562.949.8625

2021 METRIC CATALOG



We create metalworking products that save time, increase comfort, and improved quality for our customers.



Quick Acting Welding Tools
www.StrongHandTools.com



Mobile Fixturing Station
www.Rhino-Cart.com



Modular Welding Tables
www.BuildProTables.com



Heavy Duty Welding Tables
www.Pro28Tables.com



Operating Accessories & Tooling Components
www.Valtrainc.com



Toggle Clamps & Latches
www.GoodHandinc.com



The Strong Hand Tools® line of innovative products are sold in over 60 countries worldwide, through a network of Authorized Distributors delivering timely technical and customer service support for your business.

For over 38 years, we've communicated with welders and fabricators to develop innovative clamping and fixturing tools. Our dedicated team of engineers continue to study every aspect of layout, clamping, and positioning with a variety of materials so you'll be well prepared to create set-ups for any project. Having the right tools in your shop to handle each new project is the key to improving work quality and productivity, and growing your business.

US HEADQUARTERS

8750 Pioneer Blvd., Santa Fe Springs, CA 90670, U.S.A.
Tel: 562-949-8625
Fax: 562-949-4875
sales@stronghandtools.com

EUROPE

Pražská 410/11
67401 Třebíč,
Czech Republic
Tel: +420 607 088 466
Fax: +420 568 853 213
sales@stronghand.eu

CHINA

No. 605 Huabo Rd.,
Huating Town, Jiading District,
Shanghai, China 201816
Tel: +86-21-59103639
Fax: +86-21-59102951
asiasales@stronghandtools.com



USA Headquarters in Los Angeles, CA.



European sales & distribution office located in Czechia.



Valtra Factory located in Shanghai, China



WELDING CLAMPS

- 4** 4-IN-1™ Utility Clamping System
- 8** J-Clamp Step-Over
- 9** Ratchet Action Utility Clamps
- 9** MagSpring™ Clamps
- 10** Modular Platen Clamps
- 11** Clamp Replacements & Accessories



MAGNETIC SQUARES

- 12** Adjust-O™ Magnet Squares
- 12** Third-Axis Magnetic Posts
- 13** Adjust-O™ 90° Dual Switch
- 13** Adjust-O™ Angle Magnet
- 14** A-Frame HD Magnets
- 14** Standard Magnet Squares
- 15** Mini Magnet Squares
- 15** XYZ Magnet Squares



MAGNETIC POSITIONERS

- 16** Inside/Outside Magnets
- 17** Corner Magnets
- 17** MagHold™ V-Pad Kits
- 18** MagTabs



PLIERS

- 20** Locking C-Clamps
- 21** Pipe Pliers
- 22** Multi-Purpose Pliers
- 22** Adjustable Reach & Long Reach Pliers
- 23** Big Mouth Pliers
- 23** Economy Pipe Pliers
- 23** C-Jaw Pliers with Hammer Head
- 24** Dual Axis Pull Pliers w/ Hammer Head
- 24** Expand-O™ Pliers
- 25** JointMaster™
- 26** Small Diameter Pipe Pliers
- 27** Pliers Replacement & Accessories



VICES

- 28** 2-Axis Vises
- 29** 3-Axis Vises
- 30** Welder Universal Vises
- 31** Aluminum 90° Tru-Angl. Jig
- 31** Portable MagVise™



PIPE HANDLING TOOLS

- 32** Pipe Alignment Clamps
- 32** Pipe Fit-Up Clamps
- 33** Locking Chain Pliers
- 33** MagRest™ V-Pad Kit



GROUNDING TOOLS

- 34** PowerBase™ Grounding Magnets
- 34** Ground Clamp & Pliers
- 35** Magnetic Grounding Grasshopper



SPECIAL TOOLS

- 36** GrassHoppers
- 37** Hole Plug Magnet
- 37** Sheet Metal Magnets
- 38** Grinder Rests
- 39** Arm & Wrist Rests
- 40** MIG Torch Rests
- 41** MIG Pliers
- 42** TIG Torch Rests
- 43** Universal Rests
- 43** Table Edge TIG Rest
- 44** TIG Feeder
- 44** TIG Part Organizer
- 45** TIG Feeder Stand w/ Magnetic Base
- 45** Magnetic Panel Holders
- 52** Chisels



THE "THIRD HAND" CLAMPS

- 46** Portable 3-Axis Clamp Kit
- 46** The Third Hand Modular Clamps
- 47** MagHold™ Extendable Arm
- 47** Snake Magnets



MAG-LEVELS

- 48** EZ-view 3-Axis Level
- 48** Mag-Level
- 49** EZ View Conduit Level



TABLE CLAMPS

- 50** Table Mount Locking C-Clamps
- 50** Drill Press Clamp
- 50** Side Clamp
- 51** Half Clamp
- 51** Hold Down Clamp



SHOP TOOLS

- 54** Gas Hook
- 55** Gas Grabber
- 55** Cylinder Cart
- 56** Notcher
- 57** Nomad™ Table & Tool Kit
- 57** Nomad™ Connector Plate



OTHER PRODUCT LINES

- 58**

* All magnetic force is based on 10 mm thick flat steel surface except where indicated. Magnetic products must be used for tack welding only and removed before completing weld. Avoid prolonged exposure of magnetic products to heat sources of 175°F / 80°C and above.

* All product, product specifications and data are subject to change without notice to improve reliability, function, design or otherwise. Please check online for updated information and details.

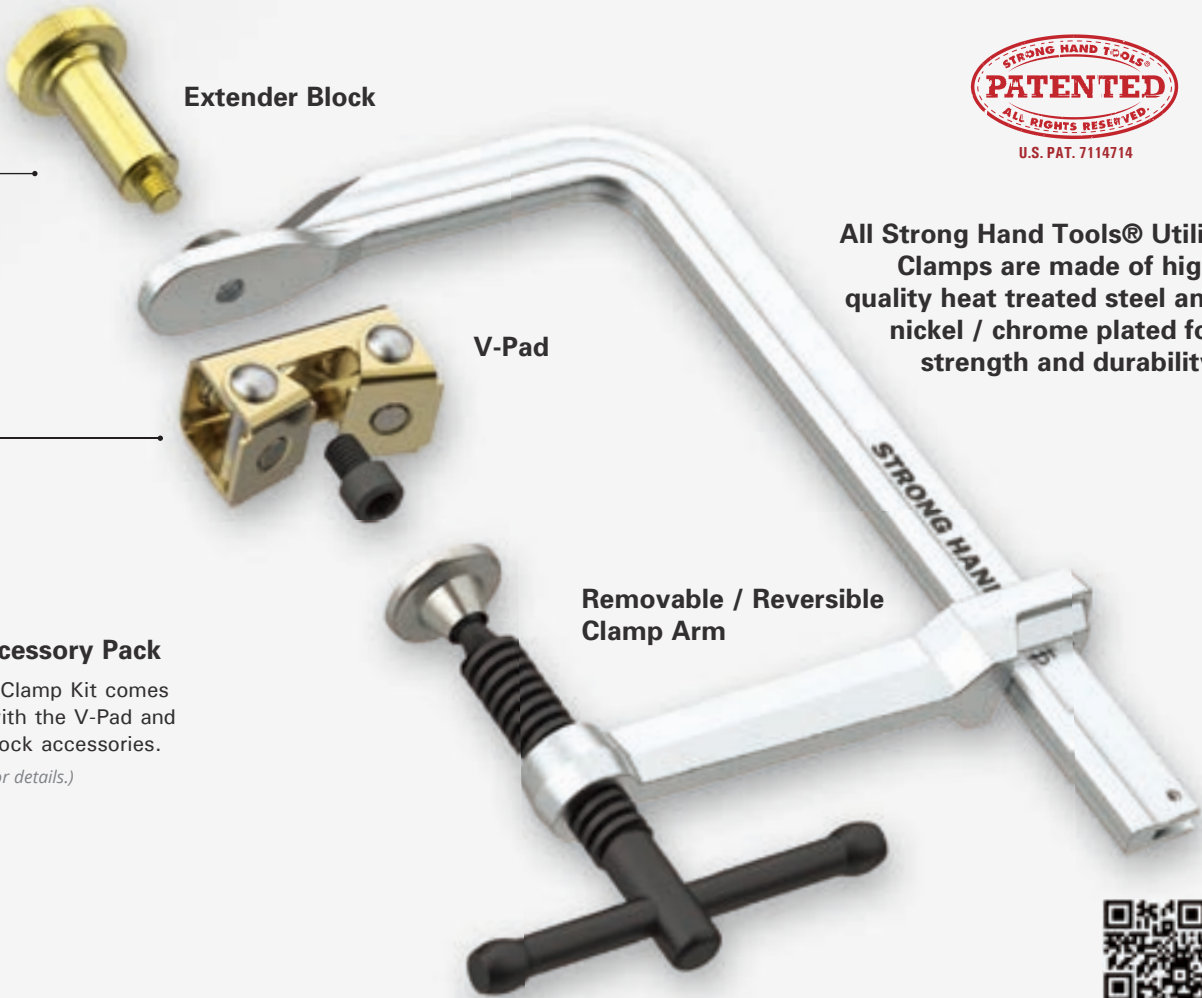


4-IN-1™ Utility Clamping System

The most versatile Sliding Arm Clamps in the market.



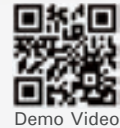
All Strong Hand Tools® Utility Clamps are made of high quality heat treated steel and nickel / chrome plated for strength and durability.



4-in-1 Accessory Pack

The 4-IN-1 Clamp Kit comes complete with the V-Pad and Extender Block accessories.

(See page 11 for details.)



4 functions in 1 Clamp



1 Standard
Sliding Arm Clamps are 10x faster than a C-Clamp!



2 Pipe
Add the exclusive V-Pad to create a Pipe Clamp!



3 Spreader
Reverse the clamp arm and create a Spreader Clamp.



4 Step-Over
Add the Extender Block to create a Step-Over Clamp.

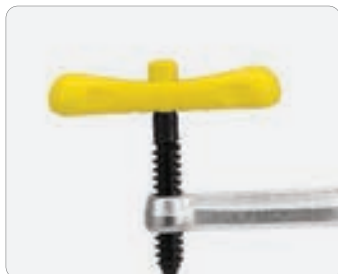


4-IN-1™ Utility Clamping System

The most versatile Sliding Arm Clamps in the market.



Clamp Arm
- Removable
- Reversible



Ergonomic Comfort Handle
included with G/M Rail clamps.
UG Models: Plastic Handle + Cap
UM Models: Plastic handle ONLY



UD Models:
Remove the Key Ring.



UE, UF, UG, UM Models:
Quickest Removal: Press the Spring Stop to slide the clamp arm ON & OFF



UP Models:
Removable Fasteners



4-IN-1™ Utility Clamping System

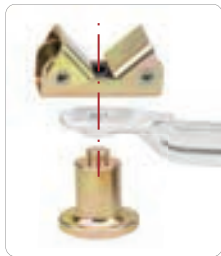
The most versatile Sliding Arm Clamps in the market.



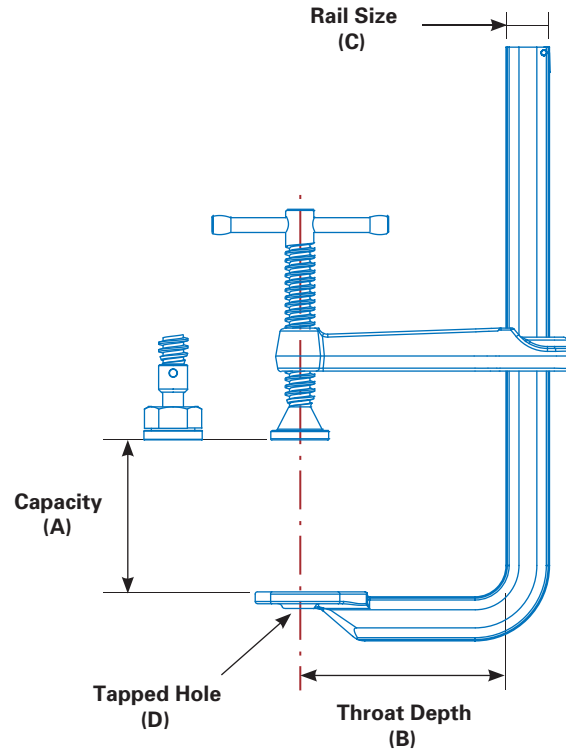
Standard Pad



Self-aligning
Replaceable Heavy
Duty Pad



Tapped Hole - (D)
For attaching accessories
such as the V-Pad or
Extender Block.



4-IN-1™ UTILITY CLAMPING SYSTEM

Part No.	Capacity - A (mm)	Throat Depth - B (mm)	Clamping Pressure (kg)	Pads	Rail Size - C (mm)	Tapped Hole - D	Weight (kg)
UD45M-C3	114	83	227	Standard	16 x 8	M8	0.6
UD65M-C3	165	83	227	Standard	16 x 8	M8	0.7
UF65M-C3	165	120	454	Standard	22 x 11	M10	1.3
UG85M-C3	216	120	544	Standard	25 x 12	M10	1.9
UG125M-C3	318	120	544	Standard	25 x 12	M10	2.1
UG1257M-C3	318	180 <i>*Deep Throat</i>	363	Standard	25 x 12	M10	2.9
UM85PM-C3	216	140	1,089	Standard	30 x 14	M10	3.0
UM105PM-C3	267	140	1,089	Standard	30 x 14	M10	3.4
UM125M-C3 <i>*BEST SELLER</i>	318	140	1,089	Heavy Duty	30 x 14	M10	3.5
UM165M-C3	419	140	1,089	Heavy Duty	30 x 14	M10	4.0
UM205M-C3	521	140	1,089	Heavy Duty	30 x 14	M10	4.5
UP205M-C3	521	180 <i>*Deep Throat</i>	2,177	Heavy Duty	40 x 19	M10	7.3

Utility Clamps

Utility Clamps set-up 10x faster than a C-Clamp!



LIGHT & MEDIUM DUTY

Clamping Pressure: 227 - 544 kg

Standard Pads



UD Series with Key Ring Stop



UE, UF, UG Series with Spring Stop

Part No.	Capacity - A (mm)	Throat Depth - B (mm)	Clamping Pressure (kg)	Rail Size - C (mm)	Tapped Hole - D	Weight (kg)
UD45M	114	83	227	16 x 8	M8	0.4
UD65M	165	83	227	16 x 8	M8	0.5
UD85M	216	83	227	16 x 8	M8	0.6
UE85M	216	100	390	20 x 10	M10	1.1
UE125M	318	100	390	20 x 10	M10	1.2
UF65M	165	120	454	22 x 11	M10	1.1
UF100M	254	120	454	22 x 11	M10	1.3
UG85M	216	120	544	25 x 12	M10	1.6
UG125M	318	120	544	25 x 12	M10	1.8
UG205M	521	120	544	25 x 12	M10	2.2
UG1257M	318	180 Deep Throat	363	25 x 12	M10	2.7
UG1657M	419	180 Deep Throat	363	25 x 12	M10	3.0

REGULAR DUTY

Clamping Pressure: 1,089 kg

Standard Pads



Clamping Pressure: 1,089 kg



* Heavy Duty Replaceable Pads

Part No.	Capacity - A (mm)	Throat Depth - B (mm)	Clamping Pressure (kg)	Rail Size - C (mm)	Tapped Hole - D	Weight (kg)
UM85PM	216	140	1,089	30 x 14	M10	2.9
UM105PM	267	140	1,089	30 x 14	M10	3.0
UM125PM	318	140	1,089	30 x 14	M10	3.1

Part No.	Capacity - A (mm)	Throat Depth - B (mm)	Clamping Pressure (kg)	Rail Size - C (mm)	Tapped Hole - D	Weight (kg)
UM65M	165	140	1,089	30 x 14	M10	2.5
UM85M	216	140	1,089	30 x 14	M10	2.7
UM105M	267	140	1,089	30 x 14	M10	2.9
UM125M	318	140	1,089	30 x 14	M10	3.2
UM165M	419	140	1,089	30 x 14	M10	3.5
UM205M	521	140	1,089	30 x 14	M10	4.0

Utility Clamps

Utility Clamps set-up 10x faster than a C-Clamp!

HEAVY DUTY

Clamping Pressure: 2,177 kg



* Heavy Duty Replaceable Pads

Part No.	Capacity - A (mm)	Throat Depth - B (mm)	Clamping Pressure (kg)	Rail Size - C (mm)	Tapped Hole - D	Weight (kg)
UP125M	318	180	2,177	40 x 19	M10	5.5
UP165M	419	180	2,177	40 x 19	M10	6.2
UP205M	521	180	2,177	40 x 19	M10	6.8
UP245M	622	180	2,177	40 x 19	M10	7.5
UP405M	1,020	180	2,177	40 x 19	M10	10.0
UP605M	1,537	180	2,177	40 x 19	M10	12.7

J-CLAMP STEP-OVER



UD, UF, UG Series



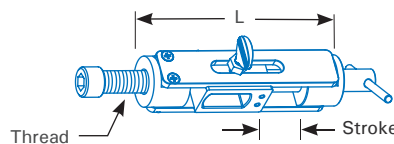
UM Series

* Heavy Duty Replaceable Pads

Part No.	Capacity - A (mm)	Throat Depth - B (mm)	Clamping Pressure (kg)	Rail Size - C (mm)	Tapped Hole - D	Weight (kg)
UD45JM	114	83 (50)	227	16 x 8	M8	0.6
UF100JM	254	120 (75)	454	22 x 11	M10	1.5
UG105JM	267	120 (75)	544	25 x 12	M10	2.3
UM125JM	318	140 (120)	1,089	30 x 14	M10	3.7
UM205JM	521	140 (120)	1,089	30 x 14	M10	4.2

SLIDE-ON SIDEKICKS

Mount onto sliding arm clamps to gain side clamping abilities. Stroke and reach of clamp can be modified by changing the pad with a longer or shorter fastener.



Part No.	L (mm)	Stroke (mm)	Thread	For Clamps	Weight (kg)
XDSM	80	25	M10	UD Series	0.3
XFSM	110	38	M12	UF Series	0.5
XGSM	110	38	M12	UG Series	0.5
XMSM	110	38	M12	UM Series	0.5

Ratchet Action & MagSpring™ Clamps

Quick-Set Clamps for fast, convenient clamping.

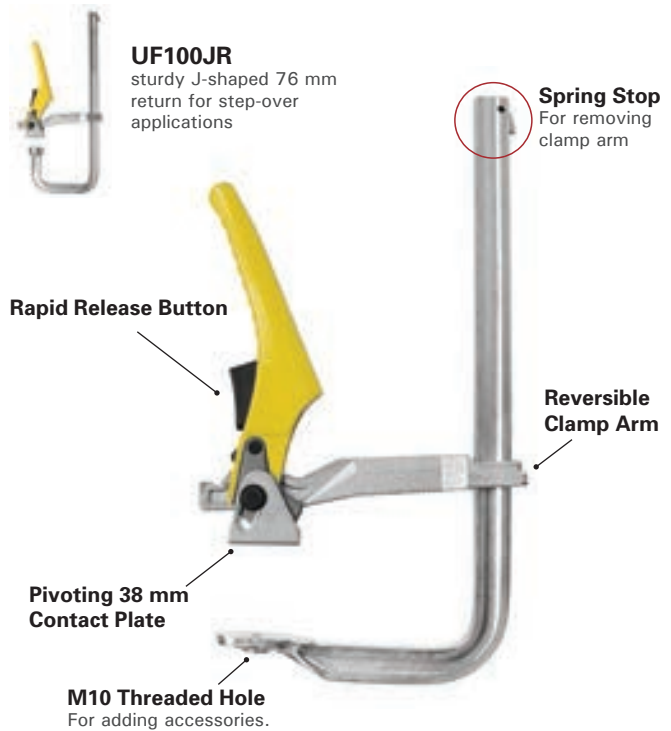


RATCHET ACTION UTILITY CLAMPS

Ratchet mechanism ensures rapid, vibration and torsion resistant clamping.

- Quick to setup, unlock, and remove in high volume clamping applications.
- Even clamping pressure. Ideal for repetitive clamping setups.

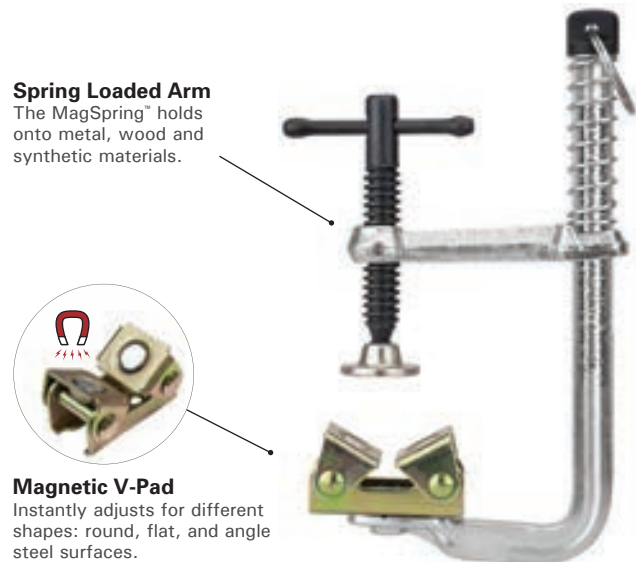
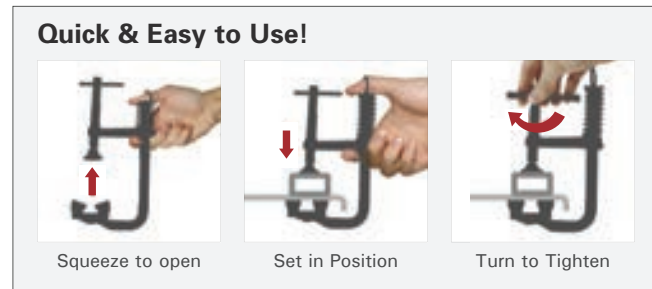
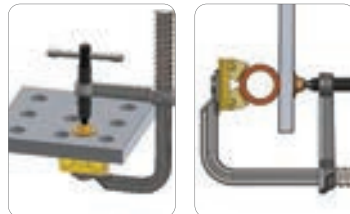
Part No.	Capacity (mm)	Clamping Pressure (kg)	Rail Size (mm)	Weight (kg)
UF65RM	180	454	22 x 11	1.2
UF100RM	254	454	22 x 11	1.3
UF100JRM	254	454	22 x 11	1.4
UG85RM	216	544	25 x 12	1.6
UG125RM	318	544	25 x 12	2.2
UG205RM	521	544	25 x 12	2.6



MAGSPRING™ CLAMPS

The spring-loaded, one-handed clamp with quick-set V-Pad.

The Spring Arm in conjunction with the V-Pad allows users to free up one hand to position the workpiece.



Part No.	Capacity (mm)	Throat Depth (mm)	Clamping Pressure (kg)	Tapped Hole (mm)	Weight (kg)
UBV65M	115	64	140	M6	0.4
UDV45M	75	83	227	M8	0.5
UDV65M	115	83	227	M8	0.6

Platen Clamps

Platen and Universal Tabletop Clamps.

MODULAR PLATEN CLAMPS

For fast, secure clamping, simply insert the clamp into the 44 mm square hole in your acorn platen. Slide the clamp arm down to the work piece and turn the T-Handle to tighten.

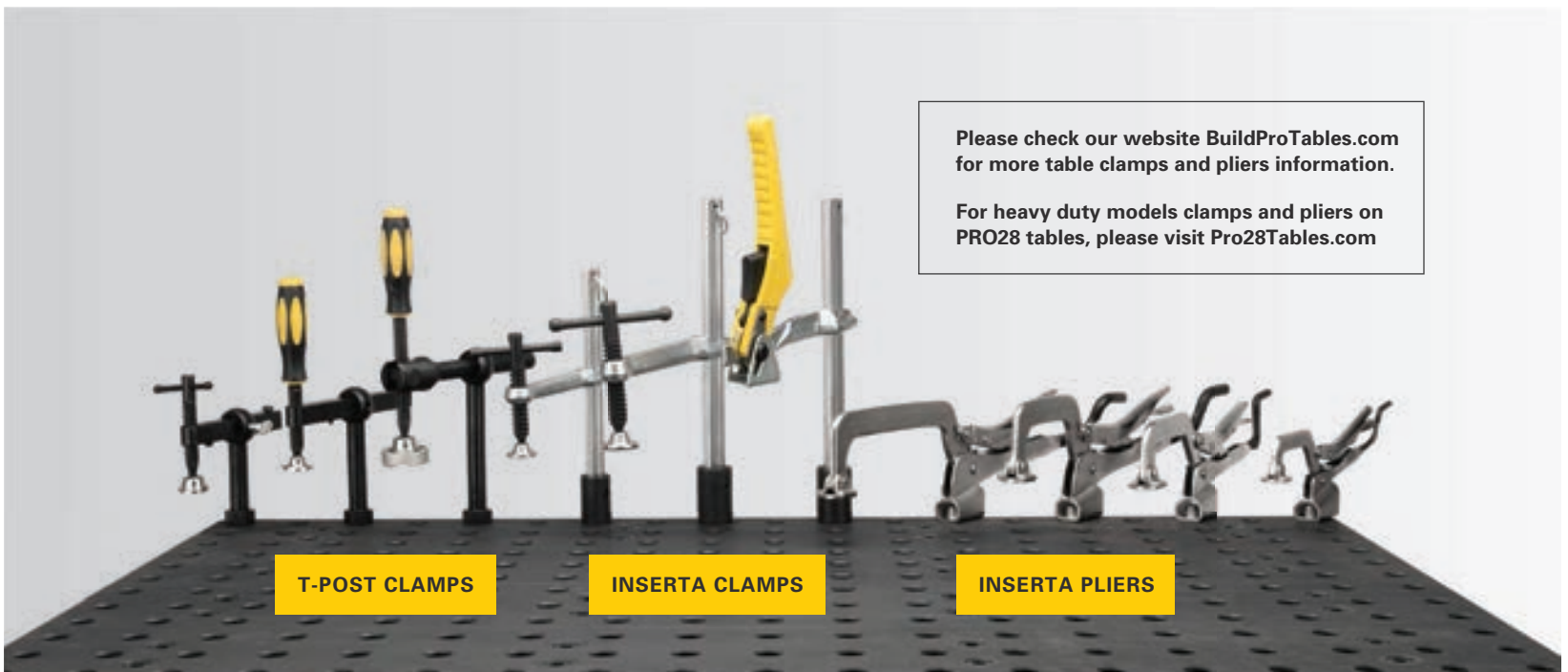
Clamp comes with standard or heavy duty Swivel Pads.



Compatible with clamp accessories such as Sidekick and Top V-Pad.



Part No.	Rail Size	Pad	MAX Clamping Capacity (mm)	Throat (mm)	Weight (kg)
UF8NA	"F"	Standard	203	120	2.3
UF10NA	"F"	Standard	254	120	2.4
UF12NA	"F"	Standard	305	120	2.4
UM12NA	"M"	HD	305	140	3.6
UM16NA	"M"	HD	406	140	4.0
UM20NA	"M"	HD	508	140	4.4



Clamps Accessories

Replacement Parts and Accessories.



4-IN-1 PACKAGES (FOR U-CLAMPS)

Convert all Utility Clamps into 4-IN-1 Clamps. Includes a V-pad, an Extender Block, and a screw.

** Please check our website for individual Extender Blocks and V-Pads information.*



Extender Block V-Pad

Part No.	V-Pad	Extender Block	For Clamps	Weight (kg)
XDVBM	XDV	XDB1M	UD Series	0.1
XFVBM	XFV	XFBM	UE, UF, UG Series	0.2
XMVBM	XMV	XMB2M	UM, UP Series	0.5
XPVBM	XPV	XPB3M	UP Series	0.8

U-CLAMPS REPLACEABLE PARTS

Replaceable Arm & Spindle Kits

** Please check our website for individual clamp arms and spindles information*



XMR2

Part No.	Replaceable Arm & Spindle Kits	Weight (kg)
XDR	for UD Series	0.2
XER	for UE Series	0.4
XFR	for UF Series	0.5
XGR	for UG Series	0.6
XMR2	for UM (Equipped w/ Heavy Duty Pad)	1.1
XMRP2	for UM (Equipped w/ Standard Pad)	1.0
XPR	for UP Series	2.0

REPLACEABLE PADS

Heavy Duty Replacement joints and pads for UM & UP clamps.



XMJ XMA1
(Roll pin included)

Part No.	Description	Weight (kg)
XMJ	Joint & Pad Kit for UM & UP Clamps	0.18
XMA1	Replacement Pad only	0.09

Spring-loaded standard pads for light & medium duty clamps.



Part No.	Standard Pads for	Weight (kg)
XDP	UB, UD Series	0.02
XFP	UE, UF, UG Series	0.04

MAGNETIC TOP V-PADS

Add the aluminum magnetic top V-Pad onto the swivel pad to hold round, square, flat, and angled stock.



(Top View)

Part No.	For Clamps	For Pliers	Weight (kg)
T64217	UB, UD Series	PT07K	0.02
T64219	UE, UF, UG Series	PT09K, PT11K, PT14K	0.02

CLIP-ON TOP V-PADS

Attach to the top of Utility Clamps equipped with Standard Pads.



Part No.	Material	For U-Clamps	Weight (kg)
XDA2	Steel	UD Series	0.09
XFA2	Steel	UE, UF, UG Series	0.13
XMA2	Steel	UM, UP Series	0.27
XDA2S	Stainless Steel	UD Series	0.09
XFA2S	Stainless Steel	UE, UF, UG Series	0.13
XMA2S	Stainless Steel	UM, UP Series	0.27

SCREW-ON TOP V-PADS

Attach to the top of Utility Clamps equipped with Heavy Duty Pads.



Part No.	Material	For U-Clamps	Weight (kg)
XMA	Steel	UM, UP Series	0.28
XMAS	Stainless Steel	UM, UP Series	0.28



It's so much easier to set-up and hold my work with the On & Off Adjust-O Magnets because I'm not fighting the magnetic force."

- Jason T.



Demo Video

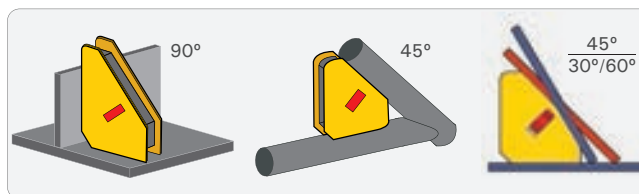
ADJUST-O™ MAGNET SQUARES

The fast & easy way to hold metal workpieces at 30° / 60°, 45°, and 90°.

Turn the magnet Off or at the MID-POINT position when setting up, turn On when you're ready to work. Fast and safe set-up!

Ideal for round and square tubing, angle, and flat stock.

Easy to clean. Simply turn Off and wipe.



Made with strong rare earth magnets. Fully enclosed for easier cleaning.

On/Off Switch
Mid point switch position: for alignment / easy part placement.



DOUBLE Plate
Optimize magnetic force (-HD models)

MSA53-HD



MSA45 MSA46-HD MSA47 MSA48-HD MSA53-HD

Multi-Angles:
30°/60°, 45°, 90°

Part No.	Max. Pull Force (kg)	Dimension (mm)	Weight (kg)
MSA45	30	110 x 95 x 25	0.5
MSA46-HD	40	110 x 95 x 29	0.7
MSA47	35	150 x 130 x 32	1.0
MSA48-HD	75	150 x 130 x 35	1.4
MSA53-HD	65	150 x 130 x 35	1.4

THIRD-AXIS MAGNETIC POSTS

Optional accessory for ALL MSA Magnets. Three posts per set.

Quickly and easily set-up 3-sided work such as tank and gusset. Use on either side of the magnet squares.



Part No.	Max. Pull Force (kg)	Weight (kg)
MXE13	7	0.09

Adjust-O™ Dual Switch Magnet Squares

Angle magnet squares with the convenience of On/Off switches.



ADJUST-O™ 90° DUAL SWITCH MAGNET SQUARES

For professional jobs that demand strong hold down forces.

Holds flat and round metal work pieces.

- Two On/Off switches for independent operation.
- Turn the magnets Off when setting up, turn On when you're ready to work. Easy and safe set-up!
- Machined flat and V-surfaces are ideal for round and square tubing, angle, and flat stock.
- Choose from 54 - 120 kg pull force.



Part No.	Max. Pull Force (kg)	Dimension (mm)	Weight (kg)
MS2-80	55	152 x 152 x 38	1.2
MS2-90	120	197 x 197 x 48	2.7

ADJUST-O™ ANGLE MAGNET

- Adjustable from 30° - 275° with two On/Off switches.
- Machined flat surfaces and nickel/chrome body.
- V-Groove surfaces securely hold round and square tubing, angle, and flat stock.



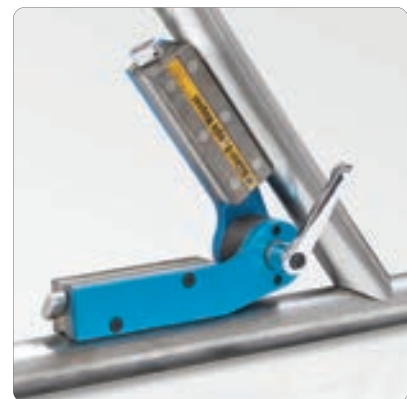
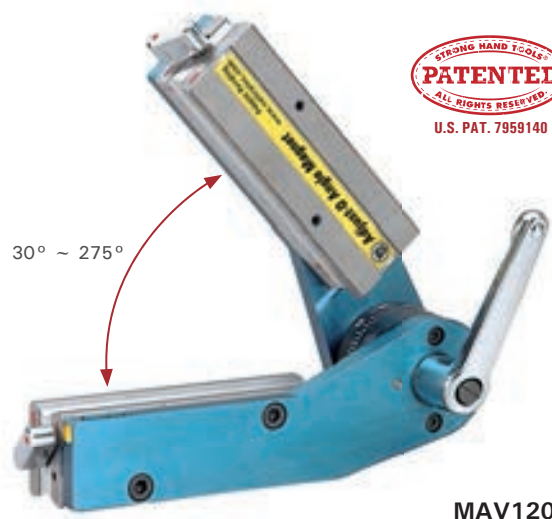
Machined V-Groove
For holding round & flat stock.



Calibration w/ Vernier



2 x On/Off Switch



Part No.	Angles	Max. Pull Force (kg)	Dimension (mm)	Weight (kg)
MAV120	30° ~ 275°	50	197 x 197 x 95	2.4

Heavy Duty & Multi-Angle Magnets

Tools for sheet metal and large stock holding.

A-FRAME HD MAGNETS

For large and heavy stock holding.

Larger / wider magnets with large contact surface and stability. ON/OFF switches function with weaker force when lever at **MID-POSITION**, for adjustment / placement of parts.



Part No.	Max. Pull Force TOTAL (kg)	Dimension (mm)	Weight (kg)
MS2-300	120	330 x 330 x 32	3
MS2-450	300	550 x 550 x 45	11

STANDARD MAGNET SQUARES

Holding at multiple angles while soldering, brazing, and welding at 30°/60°, 45°, and 90°.

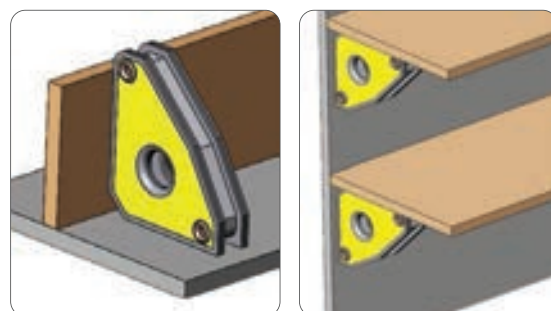
- Center hole for easy handling.
- Aluminium enclosed for easier cleaning.



MS346C
Multi-Angle

MS45
45°, 90°

MS60
60°, 90°



Part No.	Angles	Max. Pull Force (kg)	Dimension (mm)	Weight (kg)
MS346C	30°/60°, 45°, 90°	40	113 x 98 x 23	0.8
MS45	45°, 90°	30	113 x 98 x 19	0.5
MS60	60°, 90°	25	113 x 98 x 19	0.5

Mini & XYZ Magnet Squares

Unique 30°/60°, 45° and 90° angle combination.



MINI MAGNET SQUARES

Mini Magnets at just 58 mm in height provide low profile holding of stock in tight, hard to reach areas.

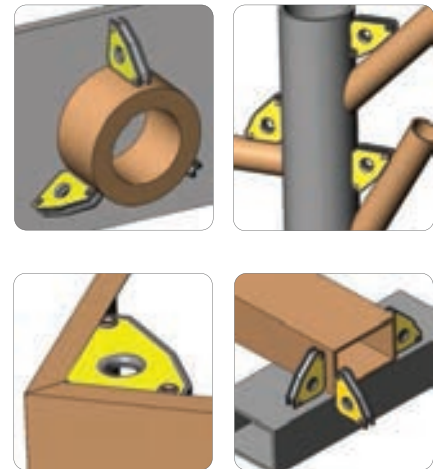
Use as many as needed for light duty holding of stock at multiple points.

Insert a screwdriver into the center hole to apply breakaway force.

Full aluminum rim enclosure for easy cleaning.



MS346AT
Mini Multi Angle



Part No.	Package	Angles	Max. Pull Force (kg)	Dimension (mm)	Weight (kg)
MS346AT	Twin Pack	30°/60°, 45°, 90°	10	59 x 50 x 16	0.3
MS346AK	6-Pack	30°/60°, 45°, 90°	10	59 x 50 x 16	0.8

XYZ MAGNET SQUARES

Quickly & easily set-up 2 or 3-Axis workpieces, such as gussets and steel panels.

Unique Magnetic Face Plate features two rare earth disc magnets for 3rd axis holding.

Rotate and **slide** Magnetic Face Plate into position as needed for each unique applications.

Use the face plate as an edge guide when joining square tubes and sheet metal.



MST348

Retractable, Rotatable Magnetic Face Plate



The face plate can be slid out of the boundary edges as edge guide.



Gusset Holding

Part No.	Package	Angles	Max. Pull Force (kg)	Dimension (mm)	Weight (kg)
MST348	Twin Pack	30°/60°, 45°, 90°	10	59 x 50 x 22	0.3

Inside Outside Angle Magnets

Hold stock using the Inside or Outside edges!



MLDT350

MLD600

Two magnets inside + double plates for maximum pull

Fully enclosed

Breakaway leverage hole

Mounting hole

MLA450

Narrow profile for use in tight spots.

Angle setting pin

MLA600

Long edge

Adjustable magnet for angles from 30° ~ 270°.

Allen wrench (incl.) to lock angle.

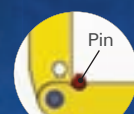
Angles Setting Pin



30°



45°



90°

Hold stock from the outside when inside access is difficult.

Hold and position sheet metal, round pipes, square, angled or flat stock.

The Inside / Outside Angle Magnets are constructed from two independent rectangular magnets for consistent, undiminished magnetic force when both sides are attached to workpieces.

Use hex hole on magnet for breakaway leverage.



Demo Video



Adjustable angle



Pin to set 45°



Breakaway force



Lock angle

Part No.	Description	Height (mm)	Width (mm)	Thickness (mm)	Mag. Pull Force (kg)	Weight (kg)
MLDT350	Combo Pack, 1x MLD300 + 1x MLD500 (MLD300 and MLD500 not to be sold separately)					0.5
(MLD300) (MLD500)	Fixed Angle, 90°, 30°/60°	76 125	52 85	14 18	9 15	
MLD600	Fixed Angle, 90°, 30°/60°	165	110	20	18	0.8
MLA450	Adjustable Angle, 30 ~ 270°	120	120	18	12	0.5
MLA600	Adjustable Angle, 30 ~ 270°	156	156	20	15	0.9

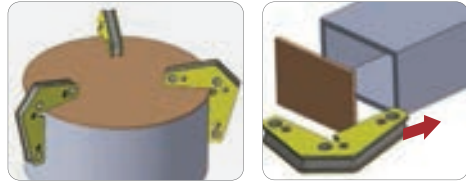
Corner Magnets & V-Pad Kits

Ideal for positioning and holding sheet metal for butt welding.



CORNER MAGNETS

- Create 90° corners by holding from the outside, providing you with an unobstructed area for inside tack welds.
- One side corner "relief" provides clearance for tall lips.
- Use the outer edges of the Corner Magnet for setting up materials at 60°.



The compact and low profile Corner Magnet is ideal for light duty holding of stock at 90°.



Use the outer edges of the Corner Magnet to hold stock at 120°.

Part No.	Description	Dimension (mm)	Max. Pull Force (kg)	Weight (kg)
MST327	Twin Pack 90° & 60°	83 x 95 x 16	14	0.4

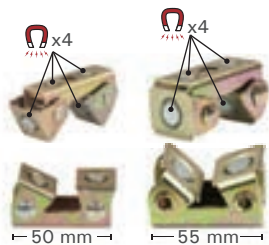
MAGHOLD™ V-PAD KITS

Light duty & tight spot holding! Build, Hold, and Position steel.

Hold and position round, flat, and square parts in light duty sub-assembly applications!

Small & Medium V-Pads

Magnets on both pad face & the bottom.

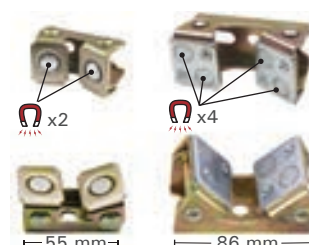


(XDV4) Max. Pull Force: 6 kg.
(XFV4) Max. Pull Force: 8 kg.

MVDF44

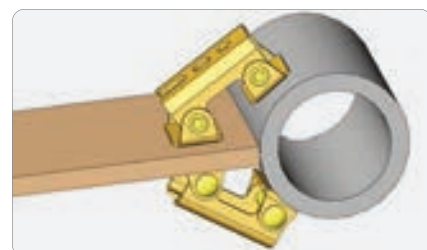
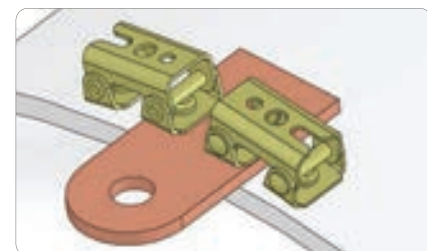
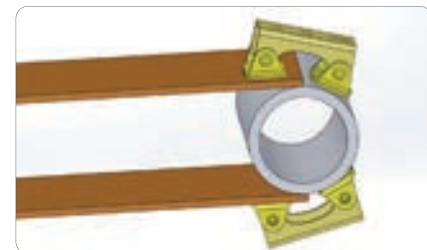
Medium & Large V-Pads

Magnets on the pad face only



(XFV2) Max. Pull Force: 8 kg.
(XNV2) Max. Pull Force: 16 kg.

MVFN46

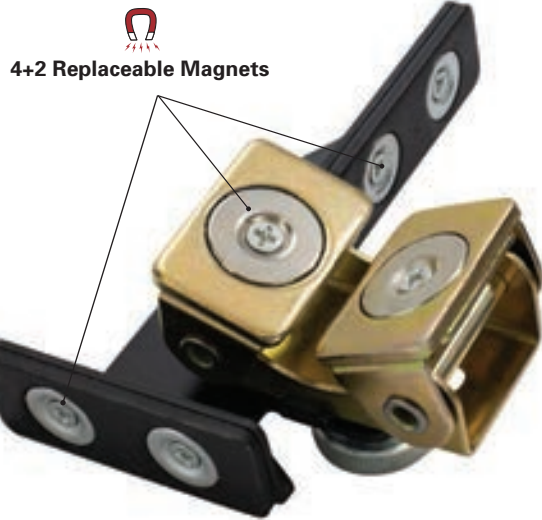


Part No.	Description	Kit Contents	Weight (kg)
MVDF44	Small & Medium V-Pads	2 pcs. V-Pads (XDV4) + 2 pcs. V-Pads (XFV4)	0.4
MVFN46	Medium & Large V-Pads	2 pcs. V-Pads (XFV2) + 2 pcs. V-Pads (XNV2)	1.1

MagTab™

Time saving magnetic tools for use in the shop & in the field.

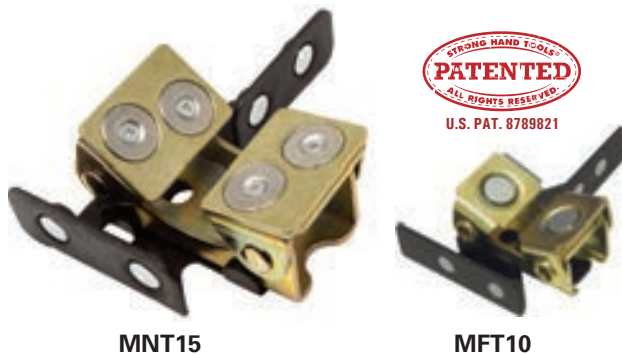
NEW ITEM



4+2 Replaceable Magnets

3X STRONGER, Better Accuracy

MET11



MNT15

MFT10

Part No.	Dimension (mm)	Max. Pull Force (kg)	Weight (kg)
MNT15	130 x 110 x 70	35	0.4
MET11	114 x 66 x 50	20	0.2
MFT10	101 x 76 x 33	8	0.2

*Magnetic force is based on 2 mm flat steel surface.

A better, faster way to magnetically hold tabs in place.

- **New 2.0:** Available with more magnets that are now fully replaceable and provide 3X more magnetic holding force than the original design.
- **Magnetic Holding** Hold tabs and small metal pieces, parallel or perpendicular to your substructure.
- **V-Pads:** MagTabs feature an integrated V-Pad that allows you to magnetically attach to various types of surface shapes; flat, curved, or with varying angles.

* Remove the MagTab bracket to use the Adjustable Magnetic V-Pad for light duty holding of steel plates. See page 17 for details.



We replaced the wing nut with a knurled knob that offers better grip and comfort when tightening to lock in the tab location.

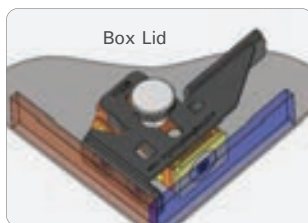
Slot on the MagTab bracket for workpiece alignment.

REPLACEMENT MAGNETS

Compatible with MagTab 2.0 featuring replaceable magnets.



Part No.	Descriptions	Weight (kg)
MRP8	Replacement Magnets for MET11, 4 + 2 pc.	0.04
MET16	1x MET11 + 1x MRP8	0.32



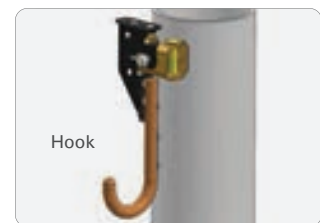
Box Lid



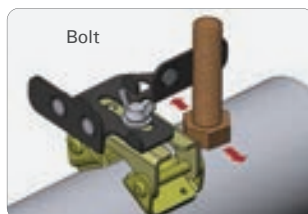
Gussets



Sign



Hook



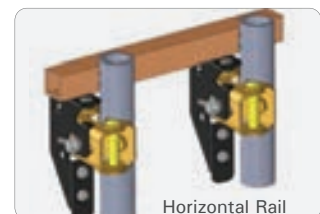
Bolt



Tabs



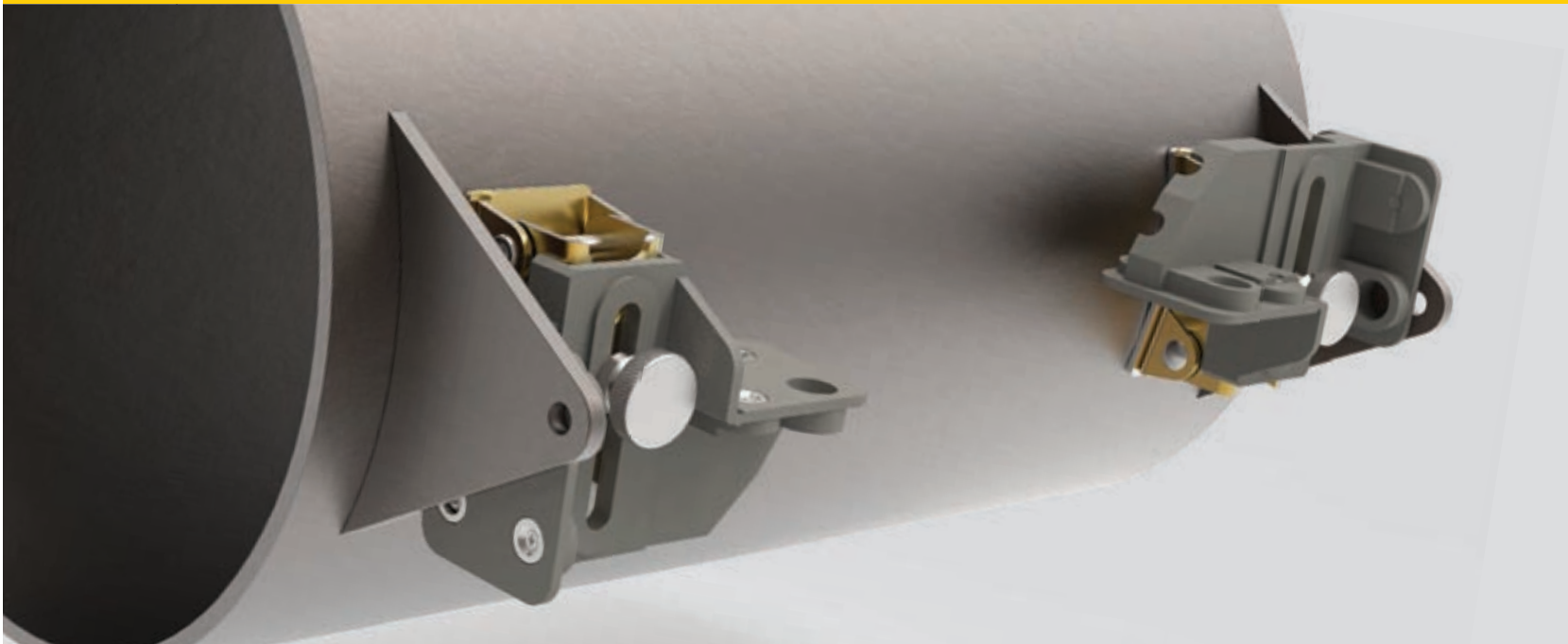
Handle



Horizontal Rail

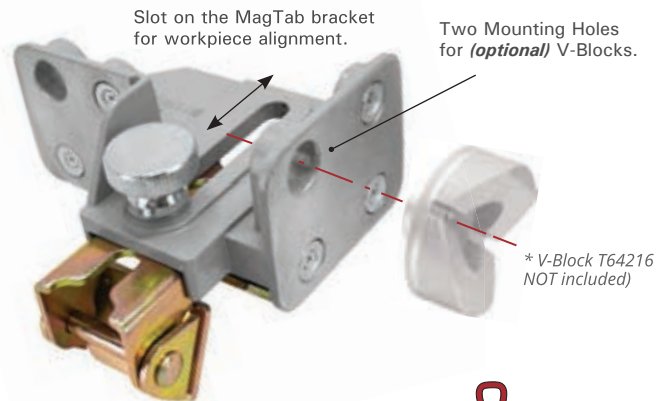
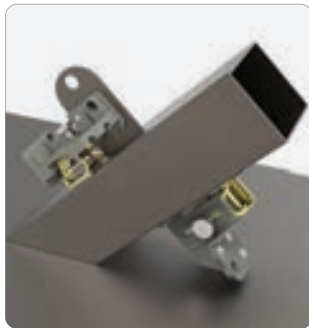
MagTab Pro

More magnetic force, and a heavy duty build for larger tabs and metal pieces.

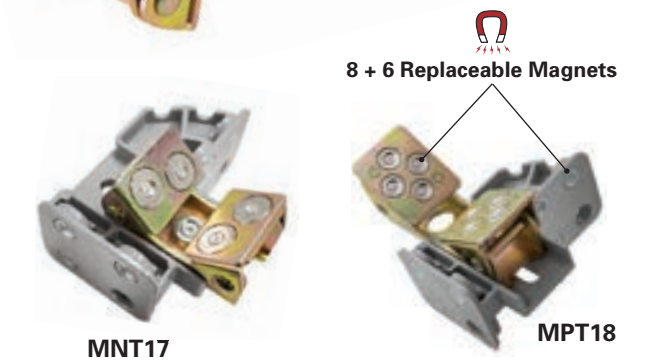


Designed and build from a single piece of cast aluminum, the MagTab PRO provides solid and sturdy magnetic holding of tabs in larger applications.

- **Replaceable Magnets:** MagTab PRO features fully replaceable magnets that allow you to quickly and easily change out weak or damaged magnets.
- **V-Pads:** The integrated V-Pad allows you to magnetically attach to various types of surface shapes; flat, curved or with multiple angles.
- Two 16 mm holes that allow you to use (optional) V-Blocks when needing to hold on to different diameter size tubes.



NEW ITEM



Part No.	Dimension (mm)	Max. Pull Force (kg)	Weight (kg)
MNT17	130 x 99 x 86	15	0.8
MPT18	162 x 135 x 89	30	0.9

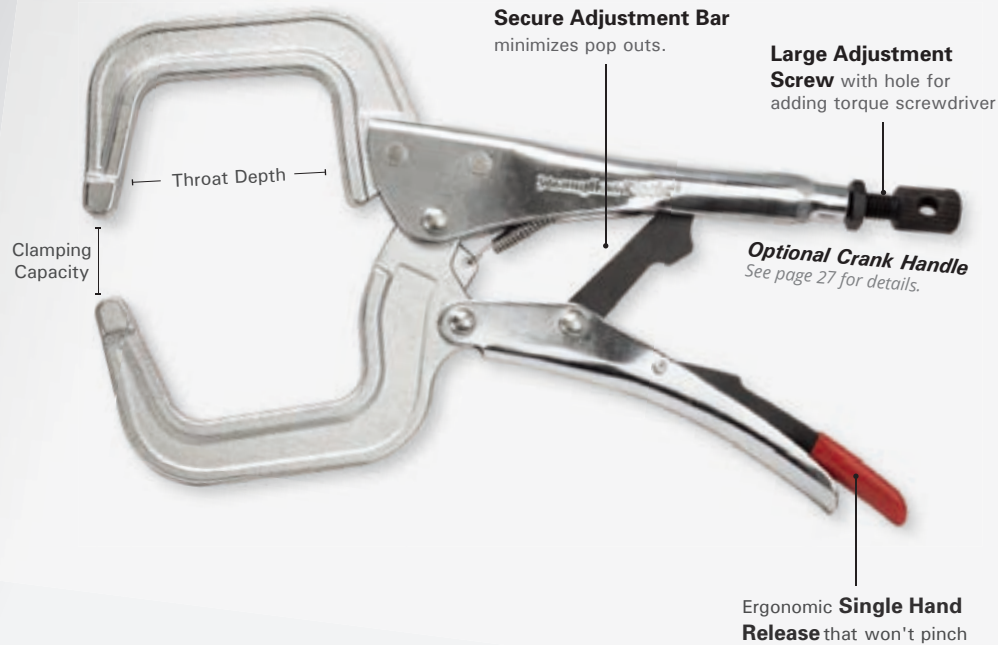
Part No.	Descriptions	Weight (kg)
MRP9	Replacement Magnets for MNT17, 4 + 6 pc.	0.04
MRP13	Replacement Magnets for MPT18, 8 + 6 pc.	0.09

*Magnetic force is based on 10 mm flat steel surface.

Locking C-Clamps

Top Quality Fit and Finish

Made of forged, heat treated steel with nickel and chrome plating for strength and durability. Ergonomic release lever that won't pinch.



Classic **Round Tip**



Swivel Tip for softer materials

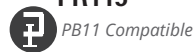
Round Tip Models



PR6



PR115



PB11 Compatible



PR18

Swivel Pad Models



PR6S



PR115S



PB11 Compatible

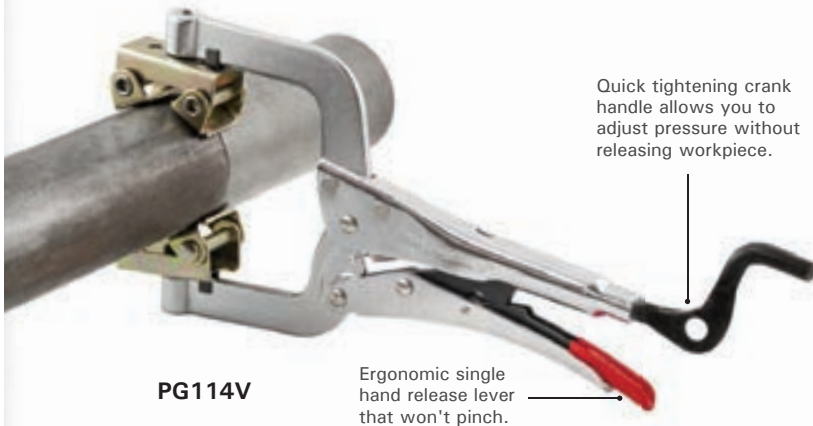


PR18S

	Part No.	Overall Length (mm)	Throat Depth (mm)	MAX Clamping Capacity (mm)	Weight (kg)
Round Tip	PR6	165	46	50	0.2
	PR115	280	83	100	0.9
	PR18	460	254	114	1.4
Swivel Pad	PR6S	165	45	50	0.3
	PR115S	280	83	100	1.0
	PR18S	460	254	114	1.4

Pipe Pliers

The convenient way to hold round or square tubes for butt-welding.



PG114V



0° & 45° angle clip in PG635V(S) allows angled clamping.

- Wide opening allows the Pipe Pliers to hold up to 63.5 mm diameter pipes.
- Two V-Pads provide a better clamping surface.
- Adjustable top spindle for holding pipes of varying sizes.

The V-Pads on the Pipe Pliers adapt to many different shapes and sizes. * Magnetic V-Pads and Stainless Steel V-Pads (Part No. XFVS) also available separately. See stronghandtools.com for details.



PG622V



PG634V



PG114V



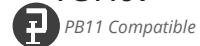
PG635V



PG635VS



PG115V



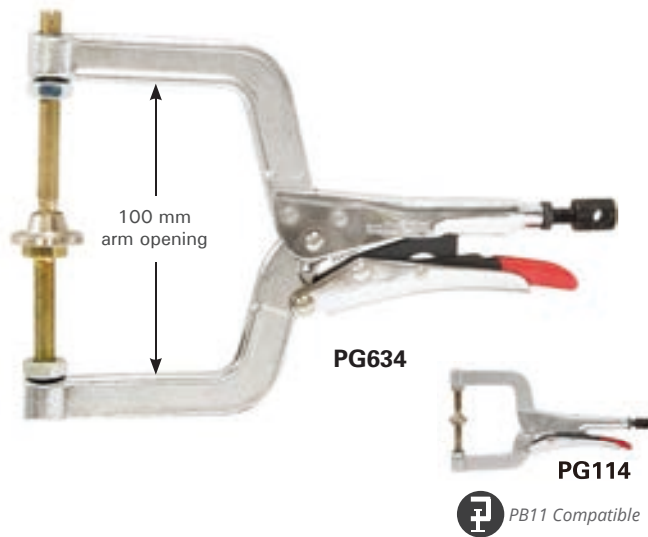
Part No.	Top V-Pad	Bottom V-Pad	Throat Depth (mm)	MAX Clamping Capacity (mm)	Thread	Overall Length (mm)	Weight (kg)
PG622V	Fixed	Fixed	50	25 - 50	M8	150	0.4
PG634V	Fixed	Fixed	76	50 - 80	M8	216	0.5
PG635V	Adjustable	Magnetic 0° & 45° rotatable	76	38 - 64	M8	216	0.5
PG635VS	Adjustable <i>Stainless Steel</i>	0° & 45° rotatable <i>Stainless Steel</i>	76	38 - 64	M8	216	0.5
PG114V	Fixed	Fixed	89	38 - 64	M10	280	1.3
PG115V	Adjustable	Fixed	89	38 - 64	M10	280	1.3

Multi-Purpose & Long Reach Pliers

Swivel and fixed head spindles for flexibility in clamping.

MULTI-PURPOSE PLIERS

One swivel pad spindle and a fixed head spindle for flexible clamping. Threaded jaw holes allow addition of accessories.



Part No.	Overall Length (mm)	Throat Depth (mm)	MAX Clamping Capacity (mm)	Thread	Weight (kg)
PG634	216	76	100	M8	0.5
PG114	280	89	100	M10	0.9

ADJUSTABLE REACH AND LONG REACH MULTI-PURPOSE PLIERS

Thread : M10 | MAX Clamping Capacity : 100 mm

PGA20M

Adjustable Reach Arms. Top Adjustable Spindle: No-mar rubber pads, pivoting head.

Bottom Adjustable spindle: No-mar rubber pads, fixed head.



PGA20S

Adjustable Reach Arms, with top and bottom fixed jaws, pivoting heads, and no-mar rubber pads.



Part No.	Overall Length (mm)	Throat Depth (mm)	Weight (kg)
PGA20M	585 - 735	355,405,460,510	2.2
PGA20S	585 - 735	355,405,460,510	2.2

Strong Grip[®] Pliers

The Easiest to GRIP, ADJUST, RELEASE.



BIG MOUTH PLIERS

Four Adjustment Slots - Large Capacity

- Unique crank handle for FAST opening, closing and in-situ pressure adjustment.
- Serrated jaw surfaces for extra gripping power.
- V-Notch on top jaw for holding small parts.
- Long jaw (63.5 mm) for extra capacity and greater versatility in workholding.
- Keep this versatile tool on hand for fast clamping in a variety of jobs!



V-Notch for small parts



Four Adjustment Slots



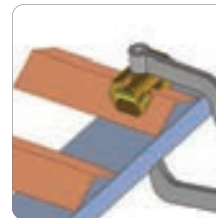
Minimal Hand Spread, easy to grasp with one hand

Part No.	MAX Clamping Capacity (mm)	Throat Depth (mm)	Overall Length (mm)	Weight (kg)
PAJ100	6 ~ 76	63.5	250	0.7

Unique and Versatile!

ECONOMY PIPE PLIERS

Large Capacity (76 mm)! Holds round, square, flat or angled. The large (Ø38 mm) swivel pad makes alignment easier!



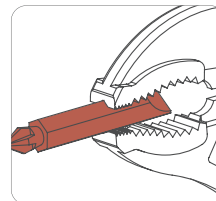
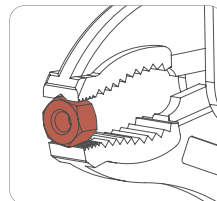
Part No.	MAX Clamping Capacity Round / Square (mm)	Overall Length (mm)	Weight (kg)
PVS100	up to 76	360	1.0

Unique and Convenient!

C-JAW PLIERS WITH HAMMER HEAD

Unique design provides a convenient hammer when you need it, where you need it! Unique V-groove for twisting wires, pulling pins, loosening nuts and screw heads.

Features Hammer Head
Flat faces for ramming



Part No.	MAX Clamping Capacity (mm)	Overall Length (mm)	Weight (kg)
PCH10	40	300	0.6

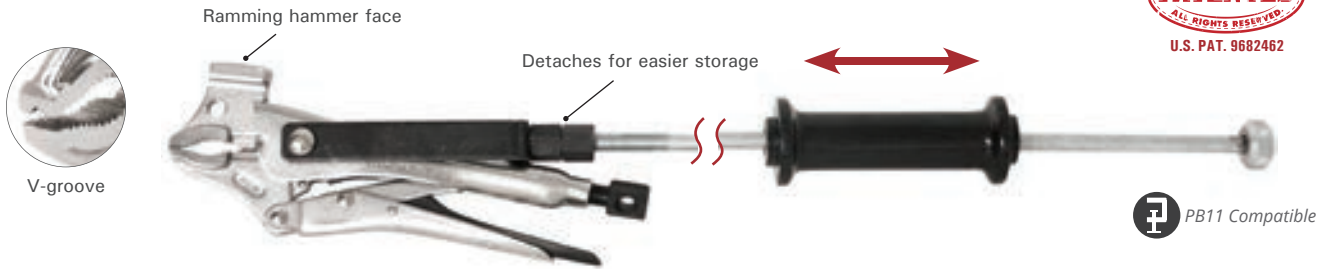
Strong Grip® Pliers & Expand-O™ Pliers

The Easiest to GRIP, ADJUST, RELEASE.

Unique!

DUAL AXIS PULL PLIERS W/ HAMMER HEAD

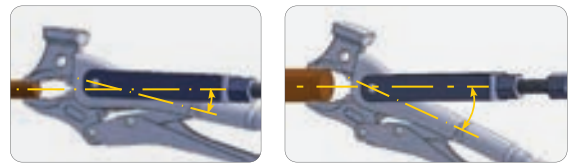
An essential pulling, pushing, ramming tool for the die-maker, maintenance craftsman, and auto repair shop mechanic. Pull Rod mounts in the swing handle, or in the M10 threaded hole for 2-axis pulling or pushing.



Side Pull



SELF Aligning pull bar accommodates different part thickness

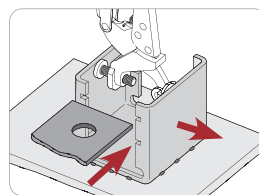


Part No.	MAX Clamping Capacity (mm)	Overall Length (mm)	Weight (kg)
PPD100	40	715	1.7

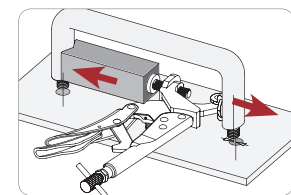
EXPAND-O™ PLIERS

Unique, Reverse-Action Clamping Pliers!

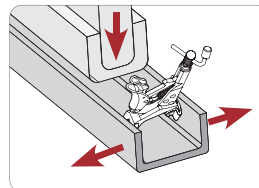
Jaws move in opposite directions to push against two surfaces.



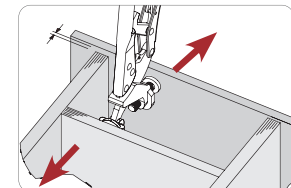
Expand brackets



Align to fit holes



Insert panel into U-Channel



Separate cabinet

Part No.	Overall Length (mm)	Clamping Pressure (kg)	Thread (mm)	Min. (mm)	Max. (mm)	Weight (kg)
PE6M	165	227	M8	25	44	0.2
PE10M	254	410	M10	35	70	0.8

JointMaster™ Angle Clamping Tools

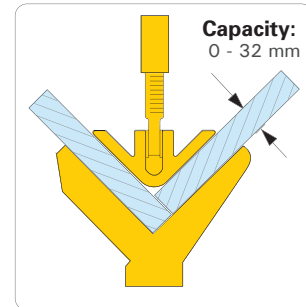
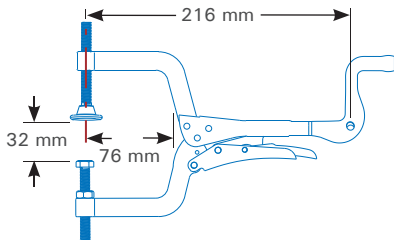
Fast, precise and affordable clamping tools for corners and T-joints.



PL634

The **single-hand** JointMaster™

- Ideal for quick hold and release on metal, wood & synthetic materials.
- A “helping hand” to hold stock firmly at right angles.
- Comes with 1 pair of pliers.



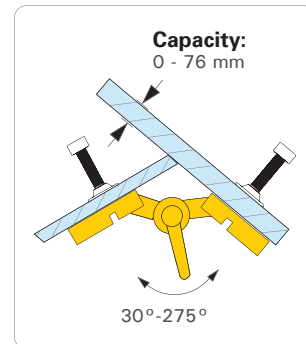
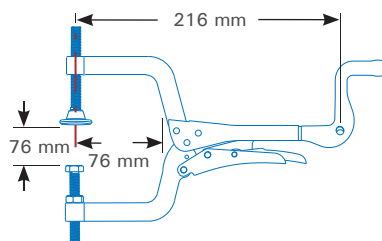
Part No.	Weight (kg)
PL634	0.5



PA634

The **Adjustable** JointMaster™

- Adjustable from 30° - 275°.
- Adjust to the desired angle & “lock” into position with the handle.
- Join round & flat workpieces, or materials with different thicknesses.
- Comes with 2 pairs of pliers.



Part No.	Weight (kg)
PA634	1.1

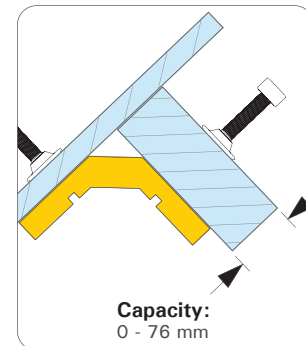
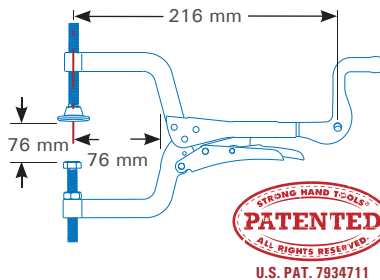
JointMaster™ Angle Clamping Tools

Fast, precise and affordable clamping tools for corners and T-joints.

PT634

The 90° Fixed JointMaster™

- Retractable plate for edge alignment
- V-Grooves for holding round pieces.
- Ideal for holding two pieces of different thicknesses that require individual adjustments.
- Comes with 2 pairs of pliers.



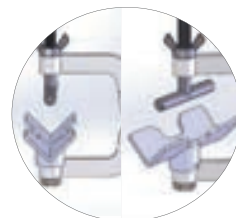
Retractable Plate
Makes edge alignment a snap.

Part No .	Weight (kg)
PT634	1.1



SMALL DIAMETER PIPE PLIERS

Small Diameter Pipe Pliers are the convenient way to hold small round pipes for: **Butt-welding** and **Cross joints**.



Dual Position Bottom Bracket.



Part No .	Throat Depth (mm)	MAX Clamping Capacity (mm)	Thread	Overall Length (mm)	Weight (kg)
PGT621	50	6 ~ 38	M8	150	0.4

BENCH-MOUNT PLIERS HOLDER

Convenient storage, or hands-free use

Holds in Vertical & Horizontal positions. Wing nuts on both vertical and horizontal position locks pliers in place.



Part No.	Weight (kg)
PB11	0.1



Use with pliers for long parts.

CRANK HANDLES

Add the crank handle accessory to the clamps or pliers to:

- Adjust torque with the pliers in the locked position.
- Pre-set the Pliers opening for repetitious clamping applications.
- Loosen the Pliers before unlocking.



Part No.	Thread	For Pliers	Weight (kg)
PXCM6	M6	For 125 mm, 150 mm, 216 mm Pliers	0.01
PXCM8	M8	For 175 mm, 200 mm, 230 mm Pliers	0.03
PXCM10	M10	For 250 mm, 280 mm, 300 mm Pliers	0.08
PXCM12	M12	For 230 mm, 250 mm, 280 mm, 355 mm Pliers	0.10

SWIVEL / PIVOT PADS

Flat pads pivot at 150° and round pad swivels at 360°.



Part No.	Thread	Height (mm)	Pad OD (mm)	Weight (kg)
854944M (Pivot)	M10	82	Ø44.6	0.09
854940M (Swivel)	M10	66	Ø25.4	0.04

PLIERS REPLACEMENT PARTS

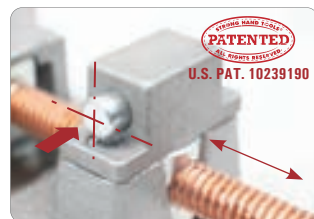
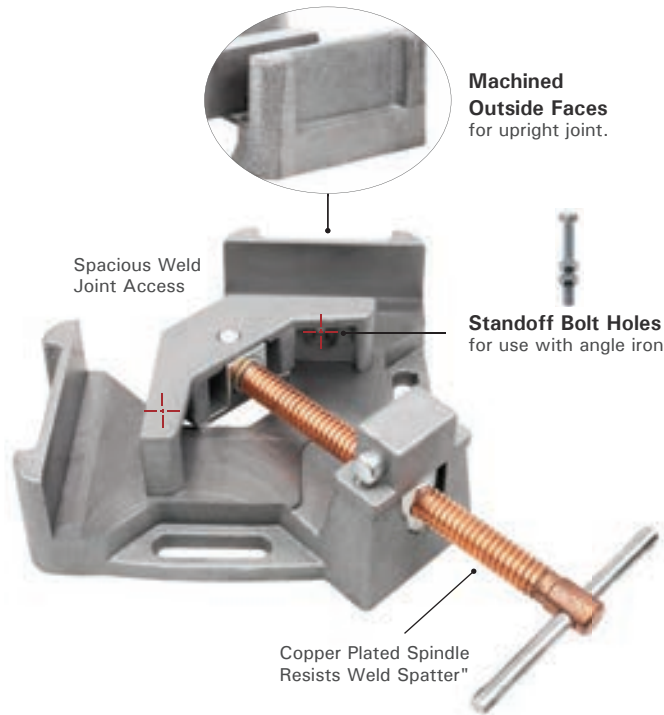


Part No.	Description	For Pliers	Weight (kg)
PXS11	Spring - 4 per set	280 mm Pliers	0.018
PXS6	Spring - 4 per set	150 mm & 216 mm Pliers	0.005
PXB11	Adjustment Bolt	280 mm Pliers	0.058
PXB6	Adjustment Bolt	150 mm & 216 mm Pliers	0.018

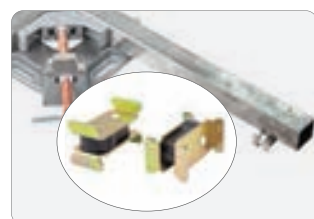
2 Axis Fixture Vises Welders Angle Clamps

Machined welding fixtures made of ductile cast iron.

- Superb Weld Joint Access on all sides.
- Quick Acting Button for fast adjustment (WAC35D and WAC45 Models).
- Copper Plated Spindle Resists Weld Spatter.



Press the **Quick Acting Button** (WAC35D & WAC45 models only) to allow the threaded screws to slide in and out for **fast setup**.
(Release the button to re-engage the threaded screw for tightening.)



2 Magnetic Rest Blocks to support & level long stock! FREE with models: WAC35D, WAC45



Use in **upright position** thanks to machined outer face.



Swing Jaw allows two workpieces with different thickness to be joined at 90°.

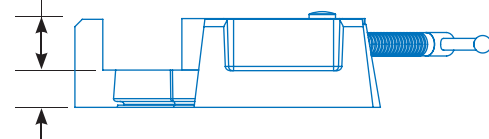


T-Joints

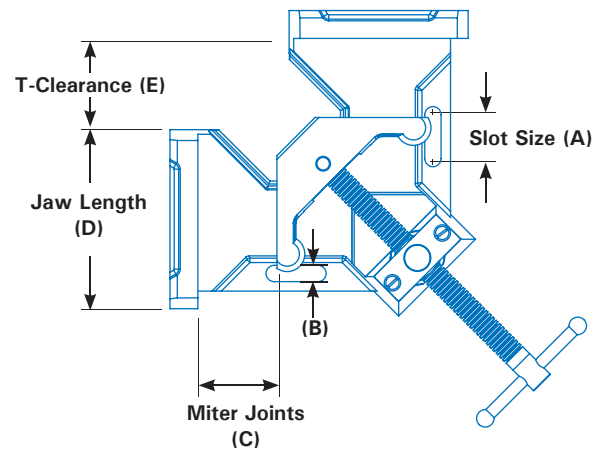


Angle Iron with Stand Off Feature

Jaw Height (F)



25 mm Base height



Part No.	Features				A (mm)	B (mm)	C (mm)	D (mm)	E (mm)	F (mm)	Weight (kg)
	Quick Acting Button	2x Stand-offs	2x Magnetic Rest Blocks	Machined on Outside Faces							
WAC22		✓		✓	35.5	11	63.5	80	47	33	2.8
WAC34		✓			40	11	95	107	64	35	4.3
WAC35D	✓	✓	✓	✓	40	11	95	107	64	35	4.5
WAC45	✓	✓	✓	✓	51	11	125	135	103	64	10.0

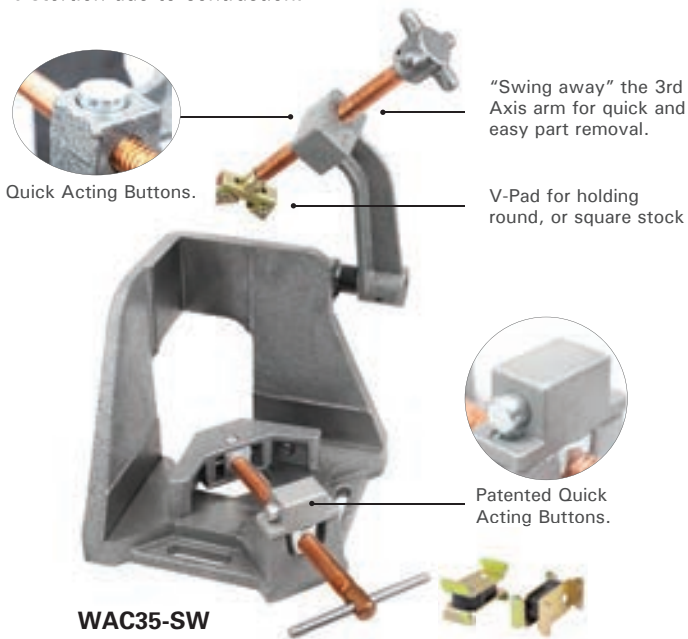
3 Axis Fixture Vises Welders Angle Clamps



Features the Quick Acting Buttons and "Swing Away" Arm.

Holds a 3-axis workpiece in position before welding.

Hold parts in position during cool down to minimize distortion due to contraction.



Quick Acting Button



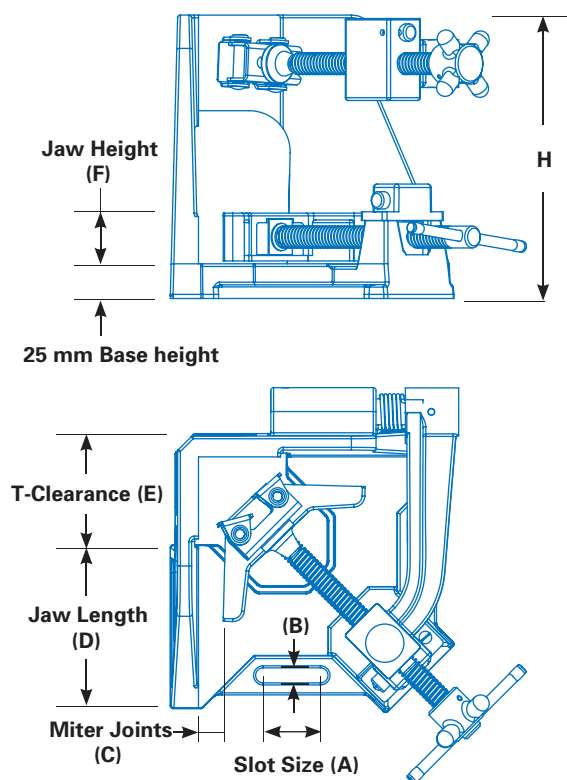
Angle Iron with Stand Off Feature



Pivoting Head



T-Joints



Part No.	Features				A (mm)	B (mm)	C (mm)	D (mm)	E (mm)	F (mm)	H (mm)	Weight (kg)
	Quick Acting Button	2x Stand-offs	2x Magnetic Rest Blocks	Swing Away Arm								
WAC35-SW	✓	✓	✓	✓	42	11	95	120	64	36	210	11
WAC45-SW	✓	✓	✓	✓	51	11	125	135	103	64	245	16

Welder Universal Vises

Clamp stock at multiple angles.

Clamp stock of different thicknesses at multiple angles. Patented Quick Acting Button for FAST setup!

- Clamp round and square tubing, angled and flat stock at 5° to 180°.
- Copper plated screws with Quick Acting Buttons.
- Individual Angle Clamps easily swivel on the fixture base.

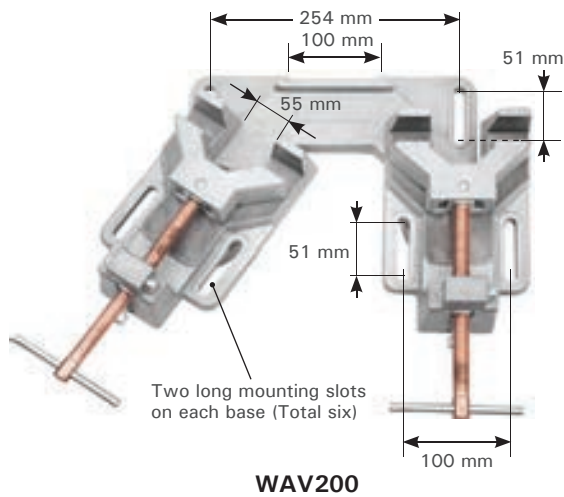


Jaw Opening: 100 mm
Jaw Height: 35 mm
 Malleable Cast Iron

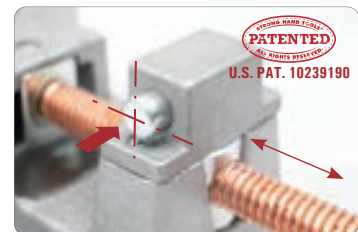
WAV200
 Duo Vise



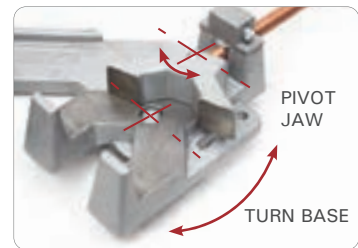
WAS100
 Single Vise



Press the **Quick Acting Button** to allow the threaded screws to slide in and out for **fast setup**.
 (Release the button to re-engage the threaded screw for tightening.)



Clamp at **Any Angle** by turning the individual clamps on the fixture base for a wide range of angle settings.



Part No.	Description	Weight (kg)
WAV200	Duo Vise	11.4
WAS100	Single Vise	3.8



Vises may be removed from the base and used separately.



Use the Magnetic Blocks (included in WAV200) 25 mm, 25.32 mm and 51 mm heights to support long stock.

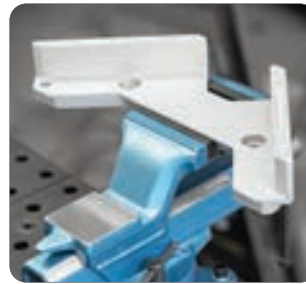
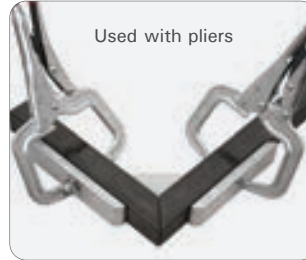
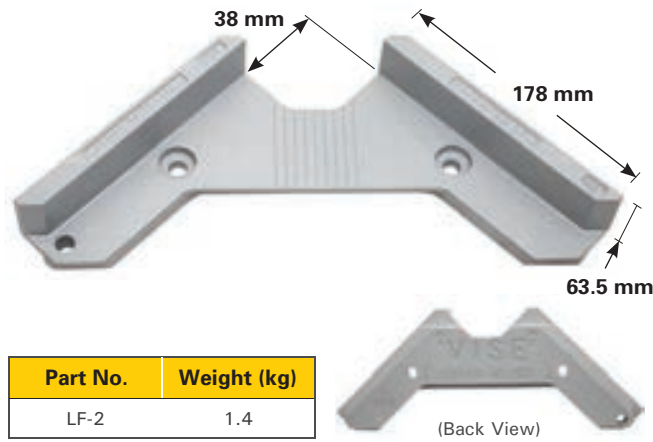
90° Tru AngL & Portable MagVise™

Time saving aluminum vises for use in the shop and in the field.



ALUMINUM 90° TRU-ANGL JIG

- Accurate Right Angle Fixture.
- Weld spatter proof aluminum alloy.
- Holds round, square, flat and angled shapes.
- Works on both the outside and inside surfaces.
- Can be held in a vise.



PORTABLE MAGVISE™

Light weight, die cast and machined vise is packed with features and perfect for tossing into a tool bag.



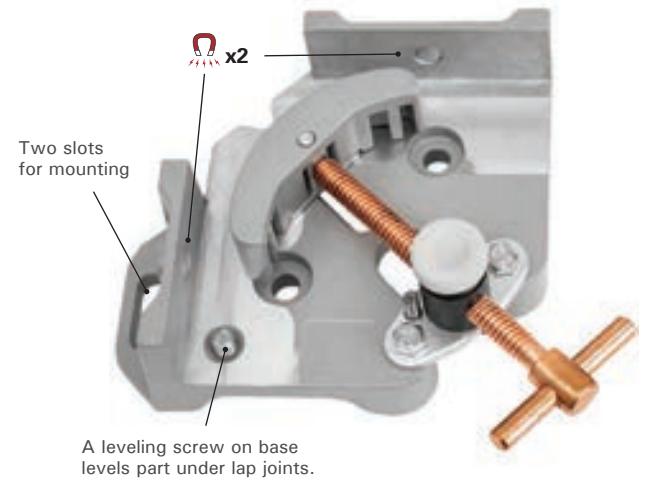
Press and hold the **Quick Acting Button** and the spindle assembly slides in and out for a super fast set-up!



Clamp jaw pivots to accommodate different thickness.



Magnets in the walls instantly hold pipes, tubes, angle iron, or metal plates in position.



Part No.	Features	Miter Joints (mm)	Jaw Length (mm)	T-Clearance (mm)	Jaw Height (mm)	Weight (kg)
WK50	Quick Acting Spindle, Magnets, Pivoting Jaw, Machined 90° Angle	25	85	30	51	0.8

Pipe Alignment and Fit-Up Clamps

The efficient way to accurately fit-up round pipes for butt welding.

PIPE ALIGNMENT CLAMPS WITH QUICK-ACTING LEVER

The New Pipe Alignment Clamp with Quick-Acting Lever is a fast, accurate fit-up clamp with a rugged frame.

Get a well-balanced hold on the clamp with the two wide Grip Plates while pressing the Quick-Acting Lever. The screw smoothly glides up and down for fast insertion and removal after welding.

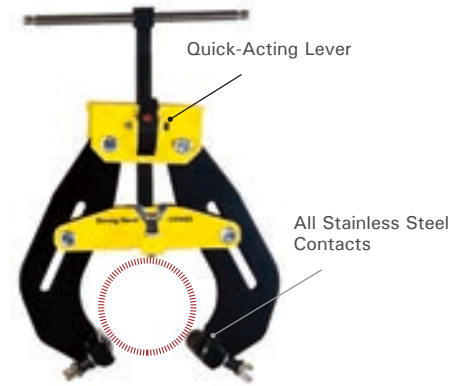


Pipe to Elbow



Pipe to Reducer

Part No.	Pipe Diameter Capacity (mm)	Weight (kg)
CPA60	50 ~ 152	5.0
CPA120	114 ~ 305	7.8



PRESS - SLIDE - SET

Wide Grip Plates make this Pipe Alignment Clamp easier to handle, with less user fatigue.



PIPE FIT-UP CLAMPS

A compact, light weight, portable clamp for the quick fit-up of round pipes and flanges for butt welding. 50 - 75% lighter than traditional alignment clamp. Easy-to-Use design for the rapid, repeated loading and unloading of workpieces.

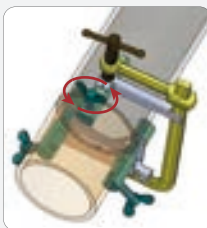
Pre-set clamp opening for fast setup:



Turn three adjustment screws to preset.



Loosen the main clamp arm.



Tighten the main clamp arm.

Part No.	Pipe Diameter Capacity (mm)	Overall Length (mm)	Weight (kg)
CPL45	50 ~ 100	240	1.3
CPL75	100 ~ 140	305	2.1



Demo Video

All Stainless Steel Contacts
89 mm L Clamp Rods



Fine Adjustment Screws

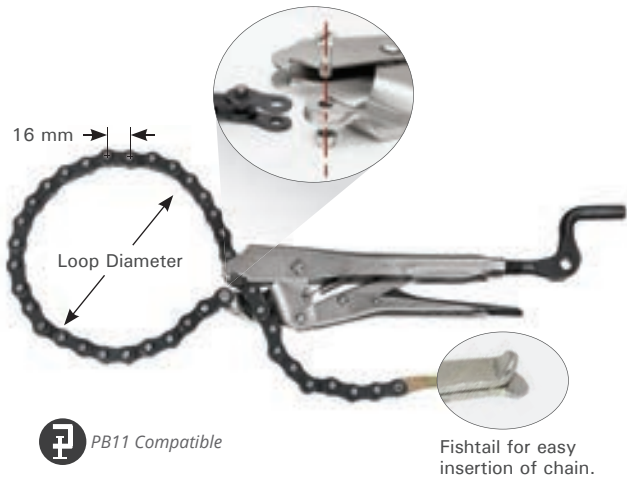
Chain Pliers & V-Pad Kit

Clamp / Rest round pipes.



LOCKING CHAIN PLIERS

Clamp odd shaped items. Adjust tension with crank handle.



* OPTIONAL: Table-mount chain hook and pliers mounts brackets, USED TOGETHER for table mount part hold down. Check our website for detail.



Part No.	Chain Length (mm)	Holds Pipes (mm)	Weight (kg)
PFC1024	600	up to 165	0.9
PFC1036	910	up to 270	1.1
PFC1048	1,200	up to 360	1.4

* Three Replaceable chains available:

Part No.	Description	Weight (kg)
PXC24	Replaceable chain 600 mm L	0.3
PXC36	Replaceable chain 910 mm L	0.4
PXC48	Replaceable chain 1,200 mm L	0.6

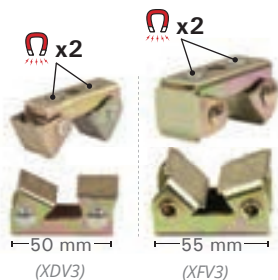
MAGREST™ V-PAD KIT

MagRest provides a quick and easy method of securing material in place on your work surface. Two strong rare earth magnets on the flat side hold the base in place while the top pads pivot to accommodate round and even square material.

(XDV3)

Max. Pull Force: 3 kg.

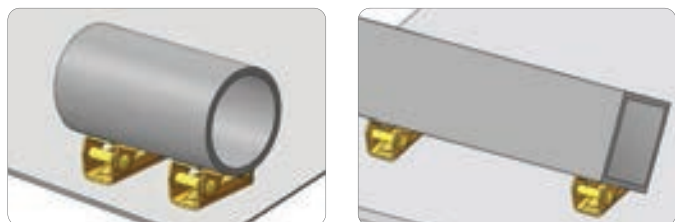
Comfortably holds 13 ~ 150 mm diameter round tubings.



(XFV3)

Max. Pull Force: 4 kg.

Comfortably holds 25 ~ 200 mm diameter round tubings.



Part No.	Kit Contents	Weight (kg)
MVDF42	2 pcs. V-Pads (XDV3) + 2 pcs. V-Pads (XFV3)	0.3

Grounding Magnets, Clamps & Pliers

High clamping pressure improves arc stability and reduces power consumption.

NEW ITEM

POWERBASE™ GROUNDING MAGNETS



Turn OFF the PowerBase™ Grounding Magnet and metal chips fall away.

Power through your grounding applications ! Start grounding instantly!

- The PowerBase™ Grounding Magnet sets up quickly and easily.
- Powerful rare earth magnet delivers heavy duty holding power.
- The "V" machined surface grips round parts.
- The copper connector stud allows for better conductivity.



Large copper connector for better conductivity.



Holds securely onto round or flat surfaces.



The ON/OFF Lever is easy to turn, even while wearing gloves.

Part No.	Amperage	Dimension (mm)	Magnetic Force (kg)	Weight (kg)
GM203	300A @ 60% Duty Cycle	50 x 50 x 64	20	0.5
GM205	500A @ 60% Duty Cycle	50 x 70 x 64	50	0.8

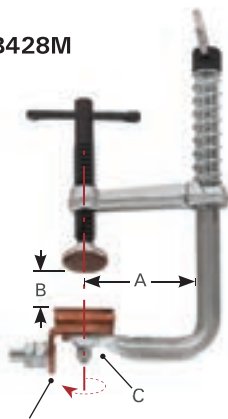
GROUNDING CLAMP

Clamping + Grounding at the same time.

Consistently rated at 300 AMPS

Solid, insulated copper U-Channel rotates for easy access and can attach to round / odd-shaped parts.

GB428M



Insulated copper contact swivels



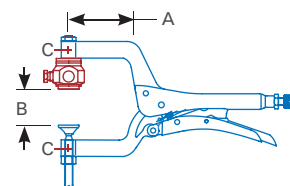
GROUND HOG™ CLAMP

Insulated Grounding Contact

The groove design on the copperhead seals out weld spatter and reduces particle buildup. Side screw provides a secure cable connection. Ground Hog body rotates for cable positioning.

- Controls the electrical current by isolating the contact surface and the cable connection.
- Improve arc stability and cable life, and reduce power consumption.

GP950



Ground Hog™
Rated at 450 AMPS @ 60% duty cycle (with 2/0 cable)

Part No.	Amperage / Cable Size	Throat Depth (A) (mm)	Max. Capacity (B) (mm)	Tapped Hole (C)	Clamping Pressure (kg)	Overall Length (mm)	Weight (kg)
GB428M	300A / --	64	75	M6	100	180	0.4
GP950	450A / 2/0 - 10.8 mm	89	64	M10	180	280	1.1

Magnetic Grounding Grasshopper

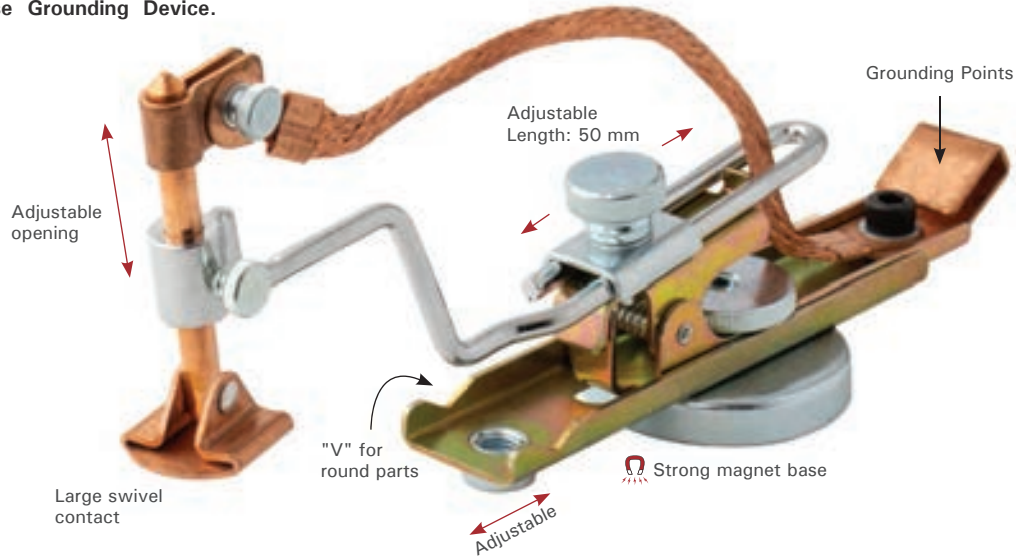
High clamping pressure improves arc stability and reduces power consumption.



NEW ITEM

MAGNETIC GROUNDING GRASSHOPPER

The Magnetic Grounding Grasshopper is a Versatile Multipurpose Grounding Device.



Magnetic Grounding Point:

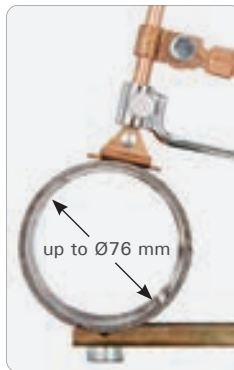
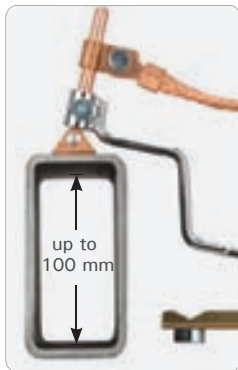
Use as a magnetic HOLD DOWN device, combining the strong yet compact magnetic base and spring clamp to hold down components. A long handle allows you to pry off the magnetic base with ease.

Magnetic Holding and Fixturing Device:

Use as a fixturing device by using the strong magnetic base with the adjustable, and rotating spring clamp to repeatedly locate, and fixture smaller components.

All Copper Connection:

Featuring a sliding base support bar, it can be used as a light spring clamp, capable of accepting 76 mm diameter pipes and used to hold non-magnetic materials.



Part No.	Amperage	Max. Overall Length (mm)	Width x Height (mm)	Weight (kg)
MGC150	250 A @ 60%	305	66 x 85	0.8

Grasshoppers

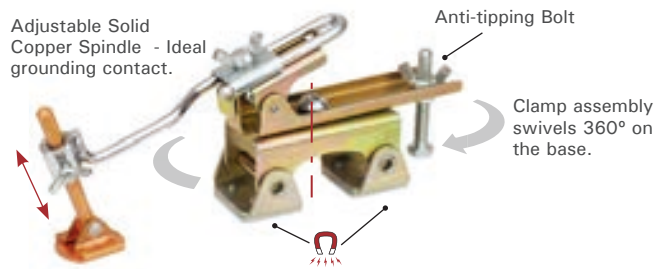
Use the "third hand" to steady parts for tack welding! Safe and convenient!



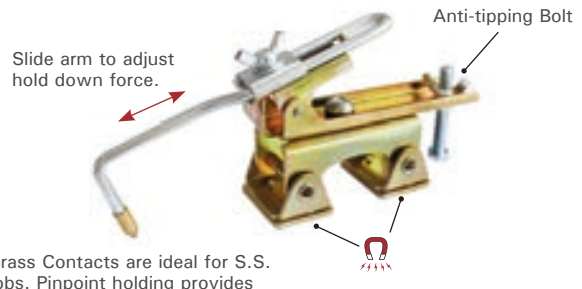
MAGNETIC GRASSHOPPERS

- Spring-loaded arm self-adjusts for **REPETITIOUS WORK HOLDING**
- New Copper Spindle (deluxe model).
- Adjustable V-Pad Base adapts to: round, square, flat, and angled surfaces.
- Anti-tipping Bolt provides stability.

STRONG HAND TOOLS®
PATENT PENDING
All Rights Reserved.



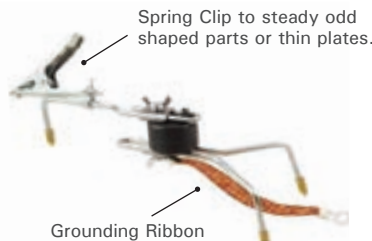
DELUXE MODEL - AGH240 / AGH270



AGH200 / AGH230

Part No.	Feature	Magnetic V-Pad Base	Anti-tipping Bolt	Max. Overall Length (mm)	Width x Height (mm)	Weight (kg)
AGH240	Copper Spindle	✓	✓	190	64 x 88	0.4
AGH270	Copper Spindle	✓	✓	250	100 x 115	0.8
AGH200	Brass Contact	✓	✓	203	64 x 76	0.3
AGH230	Brass Contact	✓	✓	234	100 x 100	0.6

STANDARD GRASSHOPPERS



Pro Model - AGH130P



Econo Model - AGH130



Demo Video



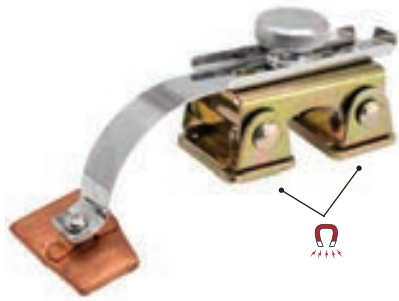
Part No.	Product Includes	Max. Overall Length (mm)	Width x Height (mm)	Weight (kg)
AGH130P	Three Brass Contacts, Copper Ribbon, Spring Clip Attachment	300	114 x 100	0.7
AGH130	Brass Contact	300	114 x 100	0.7

Hole Plug Magnet & Sheet Metal Magnets

Fast and easy hands free tools!



HOLE PLUG MAGNET



Demo Video

- Fast and easy hands free tool for plug welds.
- Pivoting magnetic base adapts to curved steel panels.
- Copper backing pad prevents weld from sticking to the tool.



REPLACEMENT MAGNETS

6x Replaceable Magnets and 6x Flush Mount Screws. Compatible with products featuring 19 mm dia. replaceable magnets.



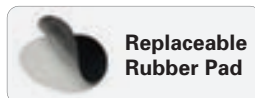
Part No.	Description	Dimension (mm)	Weight (kg)
AGK320	Hole Plug Magnet	140 x 40 x 46	0.18
MRP6	6x Replaceable Magnets and 6x Flush Mount Screws	Dia. 19 x 2.5	0.04

SHEET METAL MAGNETS

Hold sheet metal and automotive metal panels firmly in a positive location for cutting, welding, tacking, painting and repair operations.

Rare earth disc magnets in the magnetic plate have superior gripping power. Rubber Pads on the Sheet Metal Magnets provide friction for increased drag force in sheet metal handling applications.

Use horizontally or vertically. The strong, generously sized plastic handle makes placing, moving, and removing the Sheet Metal Magnets fast and easy.



Replaceable Rubber Pad



Part No.	Description	Straight Pull Force (kg) *	Side Drag Force (kg) *	Weight (kg)
MCB82	Heavy Duty Sheet Metal Magnets	45 / ea.	20 / ea.	0.55
MCB802	10 pcs. Replaceable Rubber Pad	--		0.05

Grinder Rests

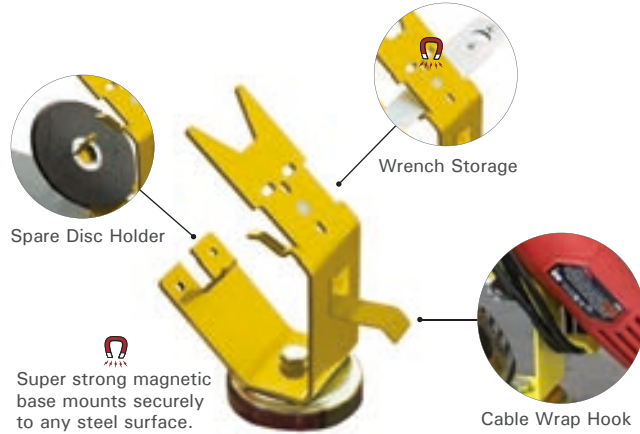
Time saving magnetic tools for use in the shop & in the field.

Store your Grinder and all accessories on one convenient, compact, portable rest for easy access. The Grinder Rest holds most 125 mm Grinders. No more searching for wrenches or spare discs!



Demo Video

MAGNETIC BASE MODEL



MGH4510

Part No.	Description	Weight (kg)
MGH4510	Magnetic base model	1.1
MGK53	C-Clamp base model w/ Adaptor Plate	1.0

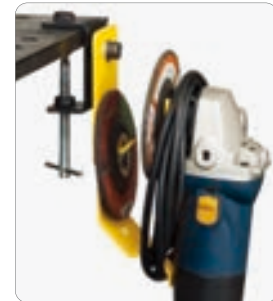
C-CLAMP BASE MODEL



MGK53



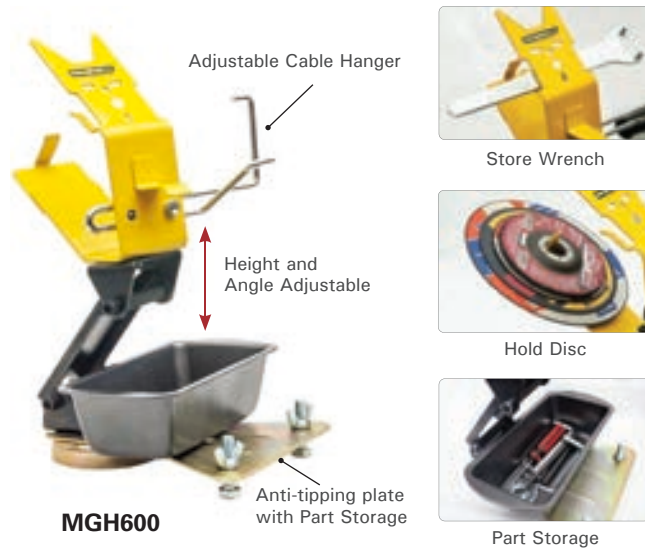
Table leg mount



Beneath table edge mount

READYREST 7" GRINDER REST

Store your costly 150 mm or 180 mm Grinder on this New Grinder Rest to prevent damage, maximize valuable space, and create an organized work area.



MGH600



* Pliers, Torches and Grinders shown are not included.

Part No.	Description	Weight (kg)
MGH600	Grinder Rest with Adjustable Cable Hanger, Anti-tipping Plate with Part Storage, Height & Angle Adjustable	2.7

ARTICULATED ARM REST

The ABC Rule for greater work quality - *Always Be Comfortable* while welding.

This fully adjustable Arm Rest with the fully articulated arm, supports your extended arm while working. Steady your arm or hand, for greater weld control and reduced fatigue.

The 2-section Articulated Arm is height adjustable [slide up or down the support column] and swivels quickly and easily for work in precise locations. The comfortable, generously sized arm cup turns in a 360° arc for complete freedom in positioning, and instant re-positioning.

Place the sturdy, anti-tipping, magnetic base plate on any steel surface and level by adjusting the two leveling bolts.



ARA18



Demo Video

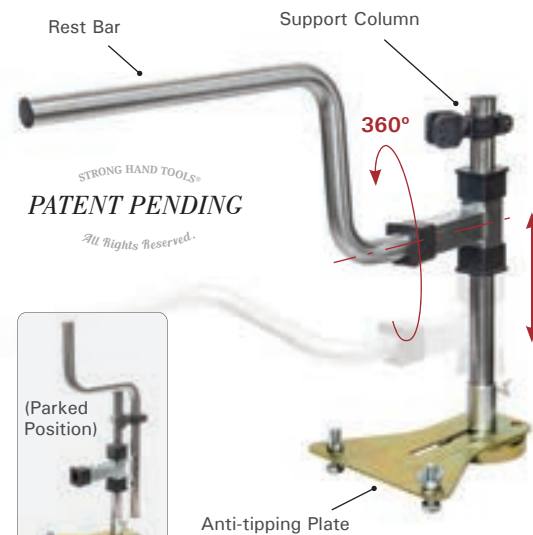
Part No.	Overall Height (mm)	Articulated Arm Height Range (mm)	Articulated Arm Reach (mm)	Weight (kg)
ARA18	380	150 ~ 380	0 ~ 320	2.2

ADJUSTABLE WRIST REST

Be comfortable while welding, and perform precision work by having the right tools in your shop.

This fully adjustable Wrist Rest has solid steel construction for durability and optimal stability. "Carry" your MIG or TIG torch smoothly along the 280 mm travel length of the Stainless Steel Rest Bar.

The Rest Bar is height adjustable [slide up or down the support column]. Place the sturdy, anti-tipping, magnetic base plate on any steel surface and level by adjusting the two leveling bolts. For space-saving storage, remove the Rest Bar from the adjustment column for vertical docking. An important addition to any welding setup. Steady your wrist for accurate welding and greater work quality with less fatigue.

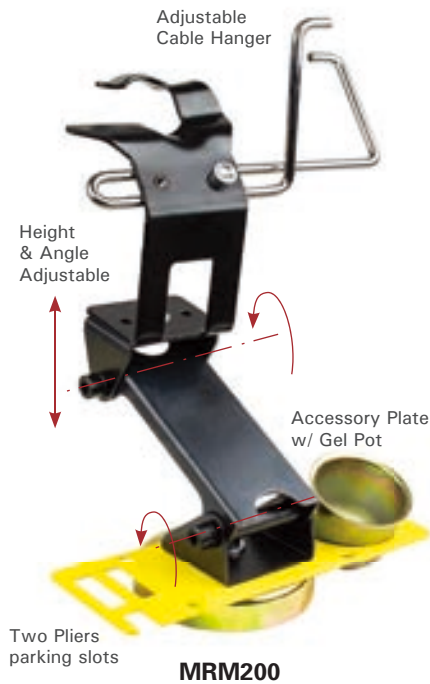


ARW16



Demo Video

Part No.	Overall Height (mm)	Rest Bar Height Range (mm)	Rest Bar Length (mm)	Weight (kg)
ARW16	470	0 ~ 470	280	2.6



MRM200



MRM100



Park N' Snip

MRM300

- **MRM100** is Basic Model includes Adjustable Cable Hanger, Angled anti-spatter Gel Pot and two Pliers parking slots (MIG Pliers sold separately)
- **MRM200** is Height and Angle Adjustable.
- **MRM300** is Deluxe Model includes Park N' Snip feature.

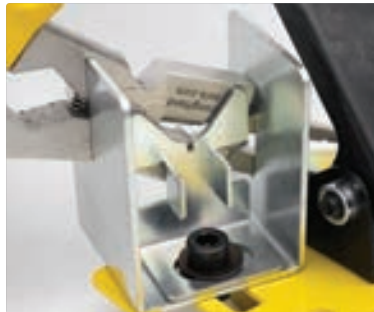
STRONG HAND TOOLS®
PATENT PENDING
All Rights Reserved.



This deluxe MIG Rest includes the Park N' Snip feature!

Cut your MIG wire to the ideal length without taking off your gloves! Get a precise cut every time, without guesswork.

Insert your MIG Pliers through the two slots, rest your nozzle on the parking plate, and snip. Now you can easily trim the wire to the ideal length for better weld control.



Part No.	Model	Description	Height (mm)	Weight (kg)
MRM100	Basic	MIG Torch Rest with Cable Hanger & Accessory Plate	150	1.0
MRM200	Adjustable	MIG Torch Rest with Cable Hanger & Accessory Plate, Adjustable Height	180 ~ 310	1.5
MRM300	Deluxe	MIG Torch Rest with Cable Hanger & Deluxe Accessory Plate, Adjustable Height	180 ~ 310	1.8

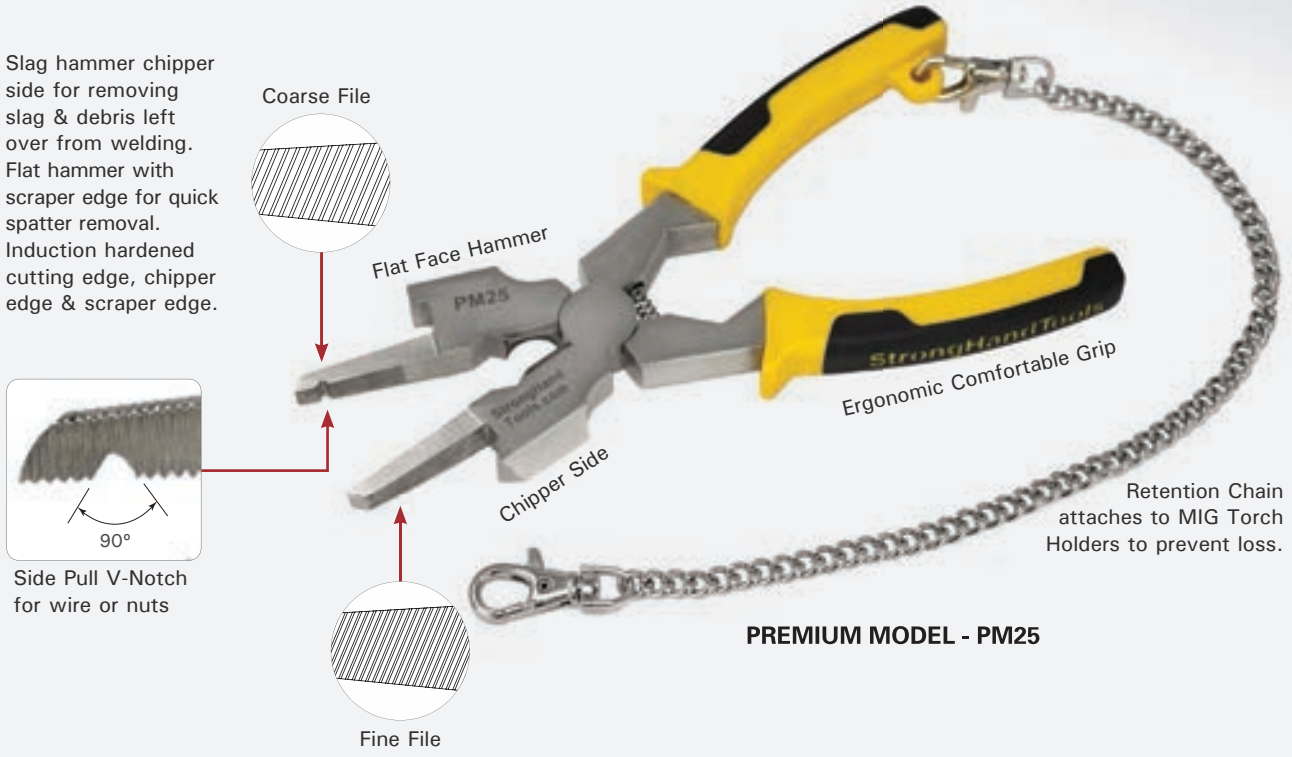
MIG Pliers

Multi-Functional and unique!

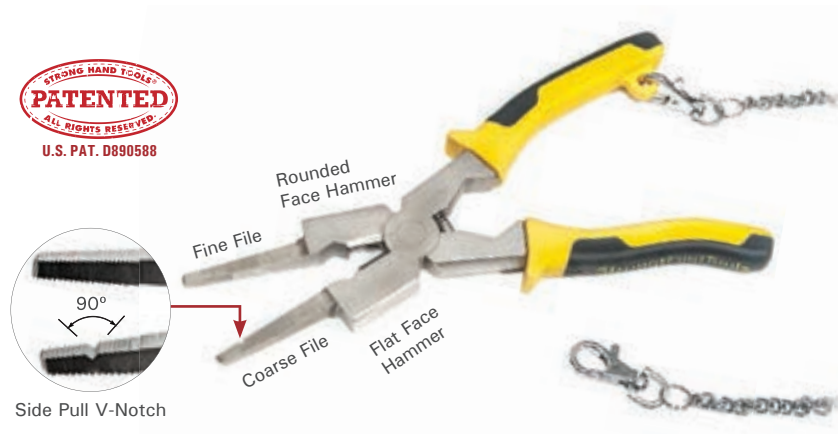
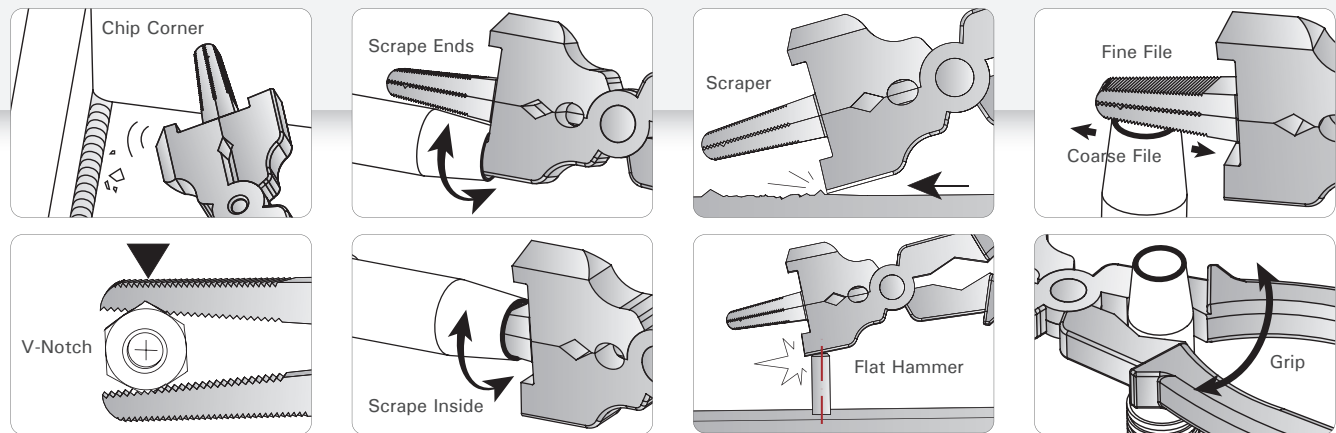


NEW ITEM

- Slag hammer chipper side for removing slag & debris left over from welding.
- Flat hammer with scraper edge for quick spatter removal.
- Induction hardened cutting edge, chipper edge & scraper edge.



PREMIUM MODEL - PM25



DELUXE MODEL - PM12



STANDARD MODEL - PM08

Part No.	Overall Length (mm)	Weight (kg)
PM25	215	0.5
PM12	215	0.4
PM08	215	0.3

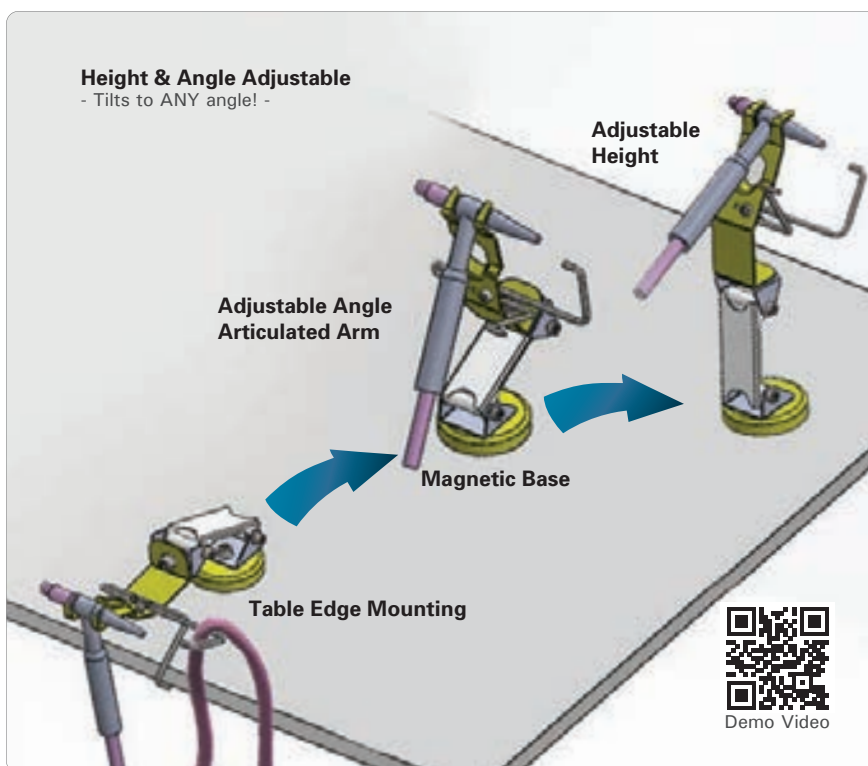


You don't work in one fixed position, so neither should your torch rest.

The height and angle adjustable ReadyRests attach securely to any steel surface for safe and convenient holding of your torch and cable for full access while you work. The unique adjustable cable hanger provides cable control for safety, and ease of handling.

Store your torch on the ReadyRest to prevent damage and create a clean, organized work area.

STRONG HAND TOOLS®
PATENT PENDING
All Rights Reserved.



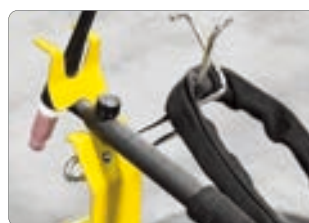
* Pliers, Torches and Grinders shown are not included.



Deep Bend for extra-secure torch holding.



Rounded Edges prevent scratching.



Adjustable Cable Hanger holds cable "slack" for safety and reduced wrist fatigue.



Two Pliers Parking Slots on Deluxe Accessory Plate (MRT300)

Part No.	Model	Description	Height (mm)	Weight (kg)
MRT100	Basic	TIG Torch Rest with Cable Hanger	190	0.9
MRT200	Adjustable	TIG Torch Rest with Cable Hanger, Adjustable Height	180 ~ 310	1.3
MRT300	Deluxe	TIG Torch Rest with Cable Hanger and Accessory Plate with Canister, Adjustable Height	180 ~ 310	1.6

UNIVERSAL RESTS

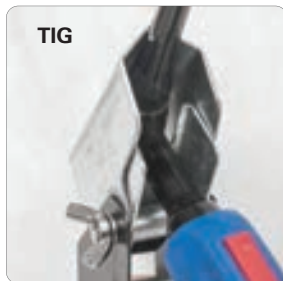
MIG, TIG, Electrode holder...**ONE SIZE fits ALL**

The Universal Rests hold your MIG or TIG Torch, or Electrode Holder. The Stainless Steel housing is angle-adjustable, with an adjustable keeper plate inside for secure, customizable holding.

Position and store your MIG, TIG torches and Electrode Holder securely and conveniently for easy access, and to prevent damage to gun and tips.



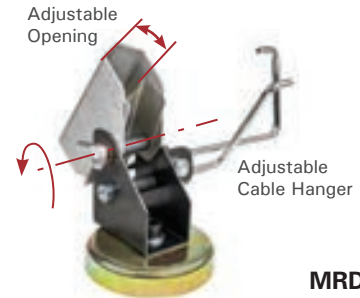
MIG



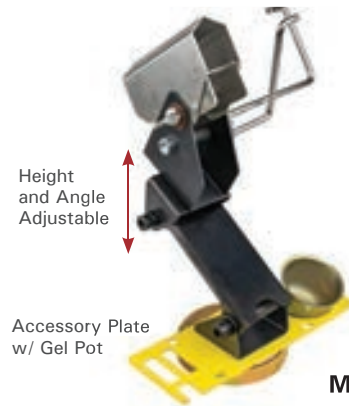
TIG



ELECTRODE HOLDER



MRD80



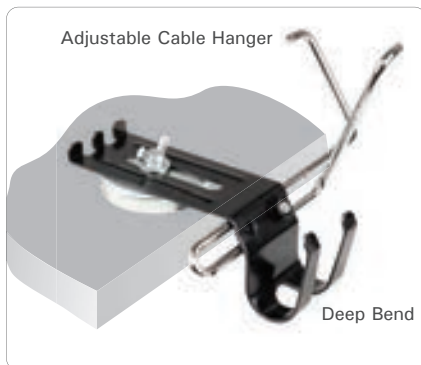
MRD90

Part No.	Model	Description	Height (mm)	Weight (kg)
MRD80	Basic	Universal Rest with Cable Hanger	150	1.1
MRD90	Adjustable	Universal Rest with Cable Hanger & Accessory Plate, Adjustable Height	180 ~ 310	1.8

TABLE EDGE TIG REST

The most space-saving model in the ReadyRest™ line!

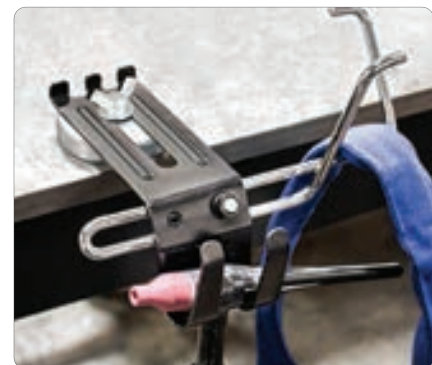
When every inch of space on your work surface is utilized, the Table Edge Torch Rest holds your torch at the table edge, out-of-the-way, yet easy to access quickly.



MRT50



Filler Rod parking



Space-saving, easy access.

Part No.	Description	Height (mm)	Weight (kg)
MRT50	Table Edge Mount TIG Torch Rest with Cable Hanger	140	0.5

TIG Feeder & TIG Part Organizer

Time saving magnetic tools for use in the shop & in the field.

NEW ITEM

TIG FEEDER

Smoothly feed TIG wire for total control and accuracy, at the ideal distance, for higher quality welding, even with gloves on! Minimize filler wire waste.

- Compact, lightweight Feeder rests securely, comfortably in your hand.
- Easily customizable to set wire tension and control.
- Reduce fatigue to help prevent carpal tunnel syndrome.
- Stainless Steel.

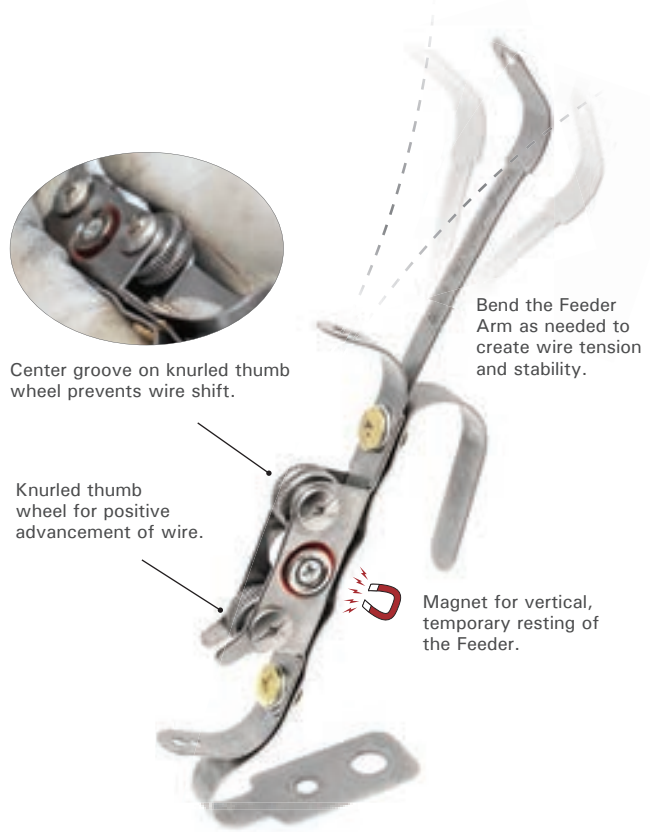


Compact, lightweight Feeder rests securely, comfortably in your hand.



Attach your own custom made Heat Shield / Feeder Stand.

Part No.	Dimension (mm)	Weight (kg)
ATF100	178 x 76 x 25	0.06

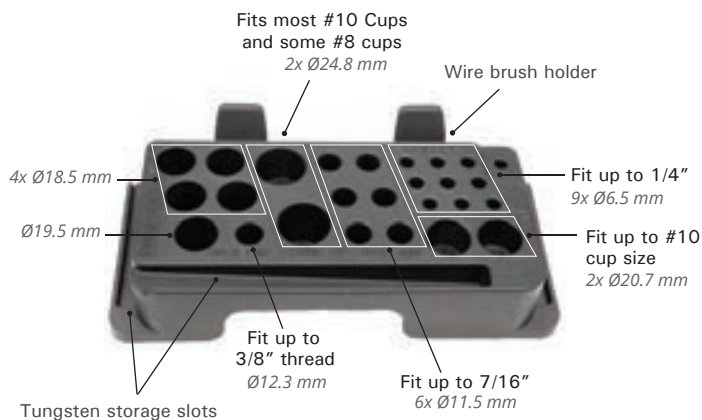


NEW ITEM

TIG PART ORGANIZER

Store your most frequently used TIG Accessories on the TIG Part Organizer for easy access.

A total of 25 cavities hold back caps, ceramic cups, glass cups, collets, and collet bodies.



2x Removeable magnets at the bottom



Slotted base for space-saving use with the ReadyRest TIG Rest, P/N MRT100 [sold separately]

Part No.	Description	Dimension (mm)	Weight (kg)
ATT180	TIG Part Organizer	228 x 127 x 50	0.29
ATTF200	1x TIG Feeder + 1x TIG Part Organizer	228 x 127 x 50	0.36

TIG Feeder Stand & Magnetic Panel Holders

Time saving magnetic tools for use in the shop & in the field.



NEW ITEM

TIG FEEDER STAND W/ MAGNETIC BASE

Mount the TIG Feeder on this New Adjustable Stand to create a Modular Feeder System.

Increase weld accuracy and reduce fatigue to better accommodate the demands of your production environment.

Achieve precision placement and greater accuracy not possible with the handheld method.

Place the compact, universal Magnetic Base at any point on your steel work surface, even in tight spaces.

Set the Stand at the ideal height and angle required for each job; Min. 3" / 7.6 cm, Max. 10" / 25 cm height adjustment.

Mount the TIG Feeder, P/N ATF100 [sold separately] onto the pivoting head, position the adjustable 2-section arm as required, and lock into position by tightening the screws.



Part No.	Description	Dimension (mm)	Weight (kg)
MTH800	TIG Feeder Stand w/ Magnetic Base	203 x 76 x 50	0.5

MAGNETIC PANEL HOLDERS

Quickly set up free-standing aluminum, steel or plexiglass panels in any configuration for safety at welding stations or other work environments.

Protect workers, materials, and equipment from the hazards of welding sparks, spatter, welding flash, gases, sun glare and wind.

140 mm H "clip style" Holders support panel thicknesses up to 10 mm. No tools required.

Strong magnetic base for secure placement on any steel surface.

Secure right angle setups with 2 pcs. Right Angle Fixtures (incl. in AWS120 only).

Use additional Panel Brackets to partially or fully enclose the work area as needed.



AWS120

NEW ITEM



140 mm H "clip style" Holders support panel thicknesses up to 10 mm.



Create a safer work environment by easily setting up protective panels wherever needed, in the shop or out in the field.



Create a 90° panel setup with the Right Angle Brackets [2 pcs. incl. in AWS120 only]

PART NO.	Description	WEIGHT (kg)
AWS100	2x Magnetic Panel Holders	0.9
AWS120	6x Magnetic Panel Holders + 2x Right Angle Brackets	2.5

The Third Hand Modular Clamps

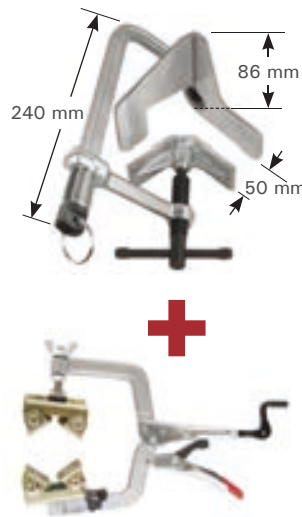
FULLY articulated, FULLY adjustable.

PORTABLE 3-AXIS CLAMP KIT

Kit includes: Spring Loaded L Clamp w/ 3-Axis Bracket + Pipe Pliers

- Light and easy to use. Set up 3-Axis stock before tack welding.
- Wide opening provides unobstructed welding access.
- **Pipe Pliers [included]** holds 3-axis stock in position; 38 - 64 mm capacity. 216 mm Overall Length.

Part No.	Kit includes	Weight (kg)
UDL365K	1x UDL365 1x PG635V	1.4



THE THIRD HAND MODULAR CLAMPS

"Third Hand" positions your workpiece at any angle for full weld access. Use your THIRD HAND to elevate and firmly hold stock at the ideal angle and height while you weld, cut, sand or paint.

Securely hold stock at any position with ball joint adjustment and locking.

- **Universal clamp base (HAS42)** mounts on flat or square surfaces (up to 50 mm thick), angle iron, and 25 mm round posts.
- **Two hole clamp base (HAS40)** is compatible with Rhino Cart® and BuildPro® Welding Tables for mounting at any point on the tabletop.
- 19 mm opening Slotted Adaptor Head accepts Pliers or Clamps to hold round, flat, square or angled stock. Two screws securely hold parts or clamps in position.



Universal Clamp Base Model
HAS42



Welding Table Base Model
HAS40

Part No.	Description	Weight (kg)
HAS42	Universal C-Clamp Base Model	1.1
HAS40	Welding Table Base Model	1.6

MagHold™ Extendable Arm & Snake Magnets

Time saving magnetic tools for use in the shop & in the field.



MAGHOLD™ EXTENDABLE ARM

Position and hold steel stock in welding and fabrication.

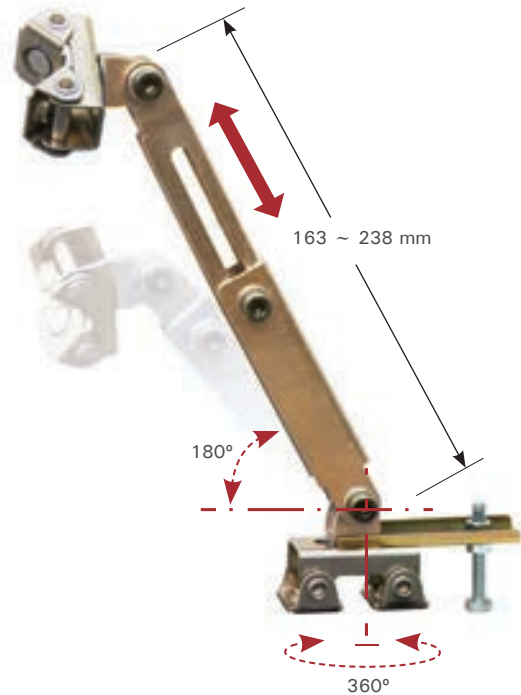
Telescoping mounting bar adjusts from 163 mm to 238 mm in length.

Loosen the center joint in the mounting bar to "fold up" the MagHold™ for different workholding configurations.

Adjustable magnetic V-Pads at each end hold stock of different shapes: round, flat, angled.



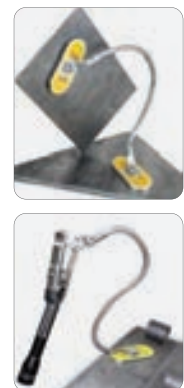
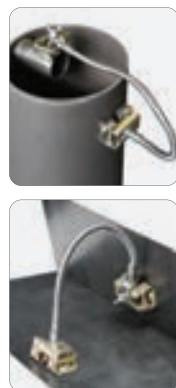
Part No.	Max. Pull Force (kg)	Weight (kg)
MHF608	8	0.6
MHN610	12	1.2



SNAKE MAGNETS

The Third Hand - Holds, Bends, Twists

The Snake Magnet gives you the flexibility to hold stock at odd angles. Spring Clamp can be used as the third hand to hold tools.



Part No.	Description	Weight (kg)
MFC312	305 mm Flex Cable, 1 Clamp, 2 Adjustable Magnetic V-pads	0.5
MFC318	460 mm Flex Cable, 1 Clamp, 2 Flat Magnetic Pads	0.6

MagLevels

Magnet Layout Tools

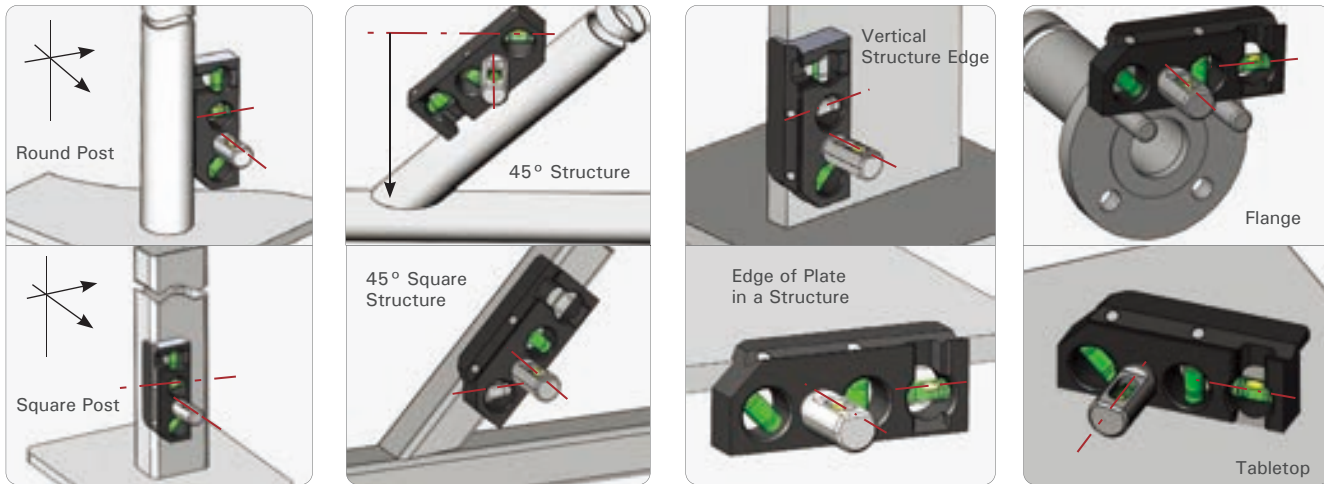
NEW ITEM

EZ-VIEW 3-AXIS LEVEL

- 3 built-in jumbo Vials and 1 Plug Vial.
- Large plugin Vial rotates for comfortable viewing angle.
- Large machined edge guide for easy alignment to large parts.
- Plug Vial lets you check level in two axes at same time.

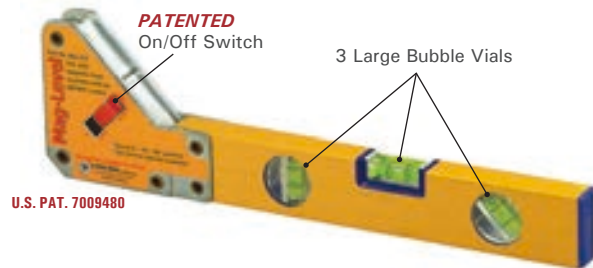
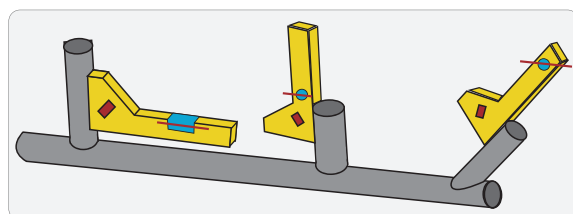


Part No.	Dimensions (mm)	Weight (kg)
LM4625	152 x 45 x 55	0.5



MAG-LEVEL

- The only magnetic level with the On/Off switch.
- Holds securely to round and flat surfaces.
- Three vials for 0°, 45°, 90° reading.



Part No.	Angles	Dimension (mm)	Max. Pull Force (kg)	Weight (kg)
MSL-316	0°, 45°, 90°	100 x 405 x 25	30	0.9

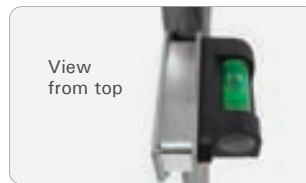
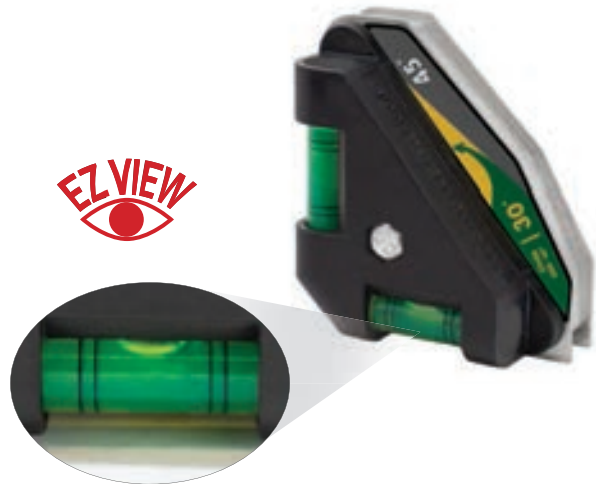
EZ View Conduit Level

A magnet built with jumbo vials



NEW ITEM

- **STRONG MAGNET** provides secure attachment on conduits or structural parts at fixed angles.
- Place at ANY point on CONDUIT for convenient readings!
- Two easy to read JUMBO high visibility vials for checking 30° / 60°, 45° and 90°.
- Rugged construction.

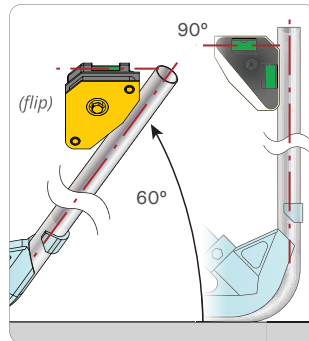
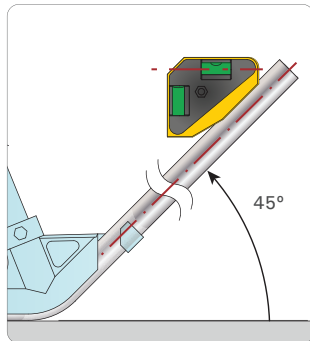
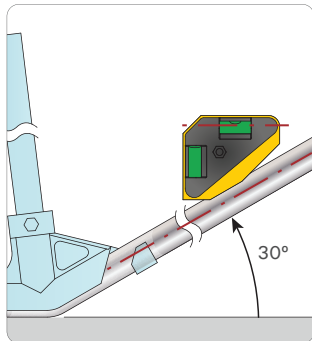


View from top



View from the side

Part No.	Angle	Dimensions (mm)	Weight (kg)
LMC34679	30° / 60°, 45° and 90°	86 x 76 x 43	0.4



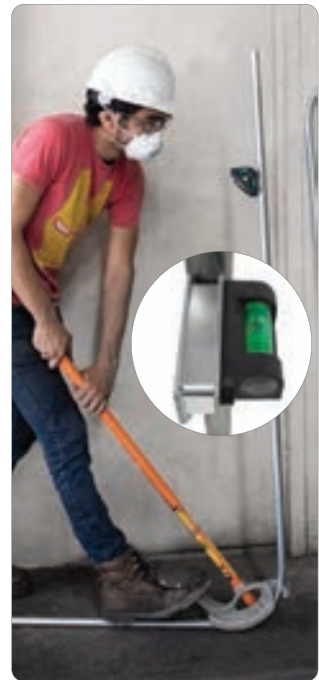
Vertical



Horizontal



Round



Any Position

Table Mount, Drill Press & Side Clamps

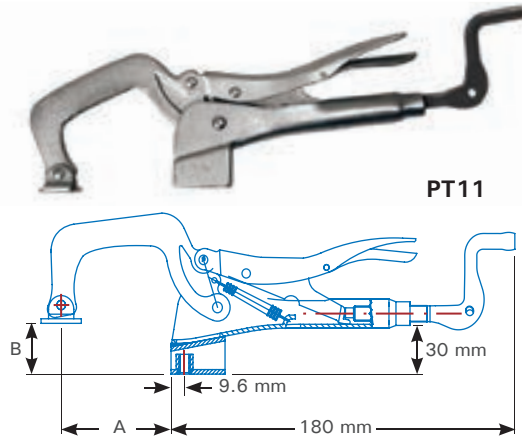
Quick-set hold down clamps.

TABLE MOUNT LOCKING C-CLAMPS

Mounts directly to any work bench, drill press and fixtures.

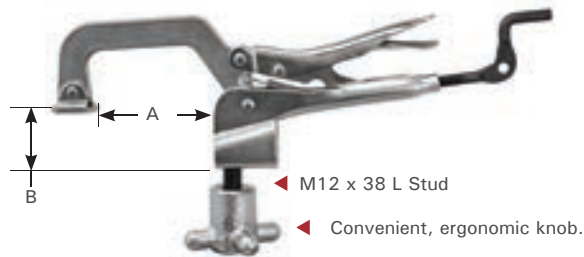
- Mounting base hole accepts standard M8 bolts and uses push-down action to hold your workpiece securely.
- Use the Crank-Handle for pressure adjustment.
- Rapid lock and release. Ideal for repetitious clamping.

Part No.	Throat Depth (A) (mm)	Max. Capacity (B) (mm)	Mount Thread	Weight (kg)
PT11	86	100	M8	0.7
PT14	155	120	M8	0.9



DRILL PRESS CLAMP

Secure the Drill Press Clamp to any surface, up to 25 mm thick.

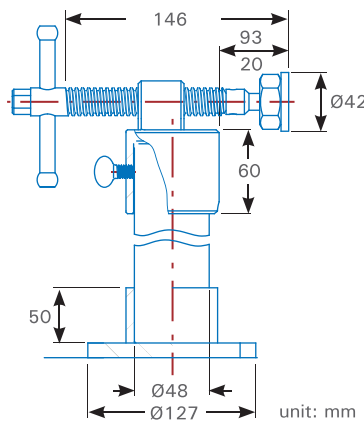


Part No.	A (mm)	B (mm)	Stud (mm)	Weight (kg)
PTD09	76	0 - 85	M12 x 38 L	0.9



SIDE CLAMP

Build push-action clamp to custom heights. Insert pipe (40 mm dia.) of desired length. Base can be bolt-mounted to the table.



Part No.	Weight (kg)
VSC15	2.6



Half Clamp & Hold Down Clamp

Hold down action clamps with unique features and accessories.

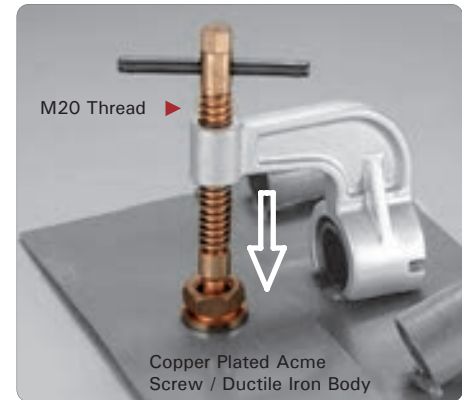
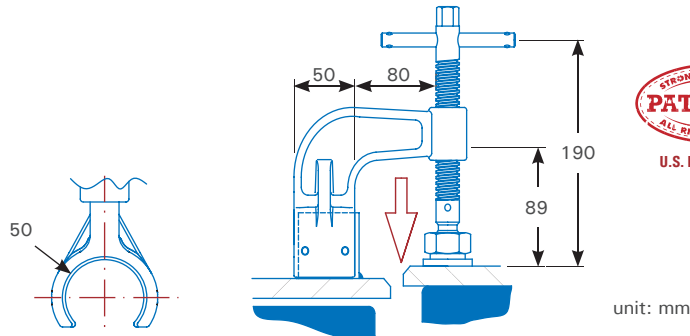


HALF CLAMP

The Efficient, Safe Way to Align Materials.

The DOG & WEDGE and CUT-OFF C-CLAMP methods of material alignment are messy, time consuming, and unsafe!

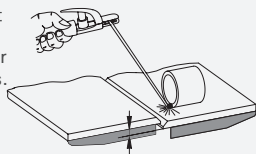
- Align materials in the fabrication of water tanks, bulkheads, deck sections, flat plates, etc.
- For big jobs, tack weld additional 48 mm cut pipes along the joint.



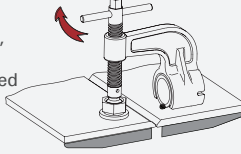
Part No.	Weight (kg)
VHC15	2.2

How to Use

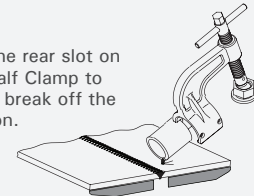
Tack weld the front side of 48 mm pipe coupon to the lower of the two surfaces.



Slide Half Clamp onto the cut pipe, turn the handle until the misaligned materials align.



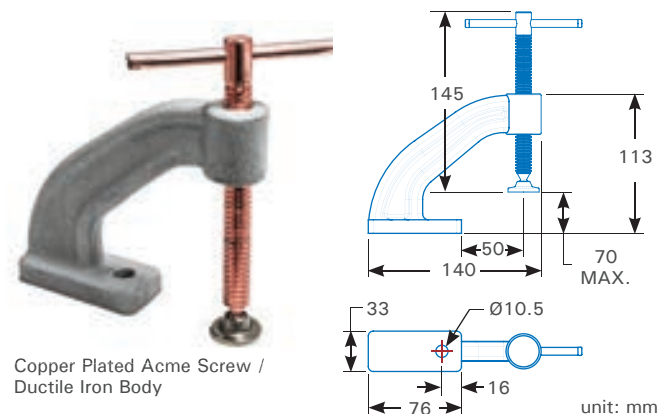
Use the rear slot on the Half Clamp to easily break off the coupon.



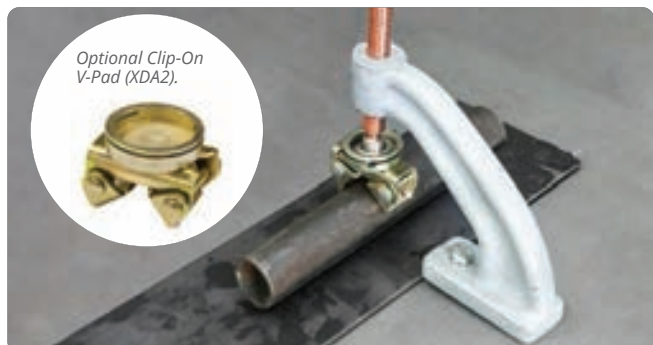
HOLD DOWN CLAMP

Bolt the clamp down to your worktable using the Ø10.5 mm hole in the base.

- The 12.5 mm copper plated Acme spindle resists weld spatter, and the swivel tip makes quick contact with your workpiece.
- Hold pipes by adding our Clip-On V-Pad, Part No. XDA2. (See page 11 for details.)



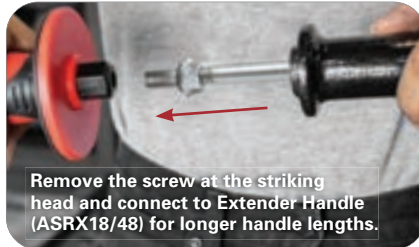
Part No.	Capacity (mm)	Weight (kg)
VHD30M	70	0.9



Chisels, Hammer Extensions

Faster pre and post weld cleaning

NEW ITEM



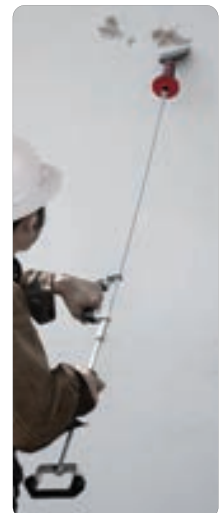
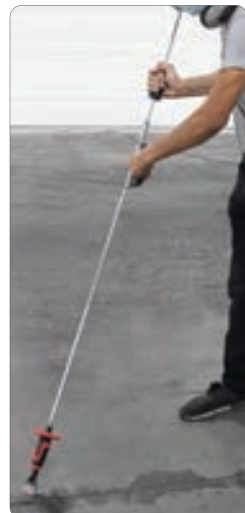
The Chisels can be connected to the sliding hammer (ASRX18) for tabletop height use.



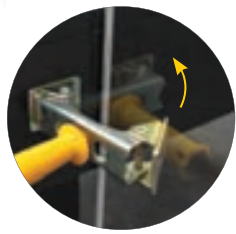
Part No.	Length (mm)	Weight (kg)
ASRX18	510	1.2



Adding the extension and handle (ASRX48) extends its applications to scrapping/chiseling spots on the floor or on high location.



Part No.	Length (mm)	Weight (kg)
ASRX48	1,030	0.9



Part No.	Description	Weight (kg)
ASR100	Pointed Chisel	0.9
ASR110	1" Flat Chisel	0.9
ASR120	2" Flat Chisel	0.8
ASR140	4" Flat Chisel	0.8

ASR SERIES CHISELS

Shop Equipment and Organization

We are excited to expand our offerings outside of the clamping and hand tool space to create a new Shop Equipment and Organization category to further our mission of helping fabricators work more comfortably and efficiently.

Adjusta Gas Cylinder Storage Hook

Essential Equipments for Handling Gas Cylinders!

NEW ITEM

The new and improved gas hook has adjustable opening for fitting various cylinders shoulder diameters. Adjustment screws keep the hook secure.

Hooks install and uninstall around the valve and hoses from the side - no need to remove valves or hoses.

- 2 Large Single Hooks and 2 Double Hooks hold your helmet, hammer, wrenches, and other welding essentials.
- Keep gear visible at eye level, organized, and easy to reach.
- Wide 2 Prong hooks are perfect for helmets, hoses, cables.
- Glove Clip provides a place for stowing and airing gloves.
- Constructed of plated steel. No plastic here.

Part No.	Dimension (mm)	Weight (kg)
GCH160	243 x 216 x 157	0.9



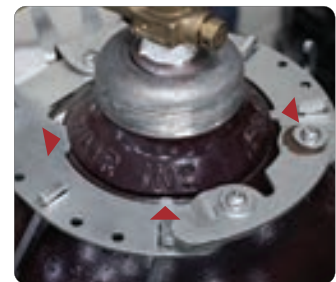
Adjustable opening for sliding in and out. Avoid valve and hose.



Thumb screw ensures a snug fit of the hooks on the cylinder.



3 styles of hooks and clips



4 points of contact for stability

Gas Grabber & Cylinder Cart

SAFELY LIFT, Move, Place, & Store Cylinders!



GAS GRABBER

- Two handles for safe, two-person team lifting.
- 8-point cylinder contact and friction pads provide a positive, safe hold.
- Scissor-action handles automatically engage for secure lifting.



Secure, no-slip holding for a safe, **productive** workplace.



Release the handles, and the Grabber **remains in position** on the cylinder, ready for use.



Safely carry heavy cylinders upstairs with the Gas Grabber.

Part No.	Dimension W x D x H (mm)	For Cylinder Size (mm)	Loading Capacity (kg)	Weight (kg)
GCL230	510 x 280 x 100	216 ~ 230 Dia.	120	3.1

CYLINDER CART

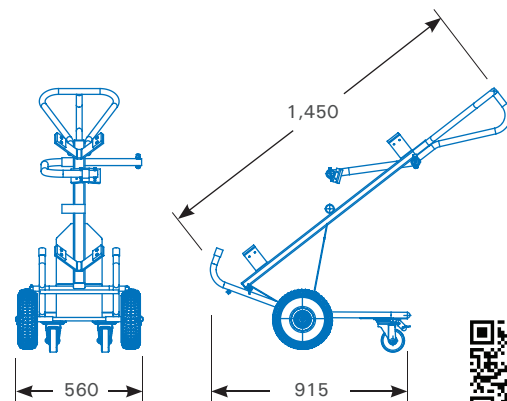
This new cylinder cart allows you to safely lift, move, place and store heavy cylinders. The sliding Stainless Steel Keeper Bar holds the cylinder securely in place without the use of chains or straps.

Lift cylinders for placement on an elevated platform, such as a welding cart or pallet up to 175 mm high. Two 3" rear locking wheels provide easy movement + stable storage.

Rugged round steel tube welded construction for strength and durability, with powder coated finish.



NEW ITEM



unit: mm Demo Video

Part No.	Load Capacity (kg)	For Cylinder Size (mm)	Weight (kg)
GCC210	180	216 ~ 230 Dia.	24

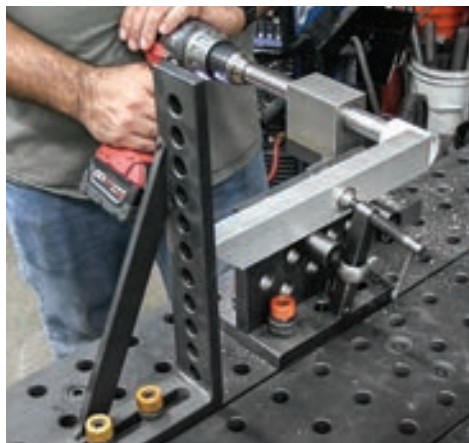
Modular Tube & Pipe Notcher

Notch tubes and pipes at the accurate angle and length.

Mounting your Notcher on the: BuildPro®, Rhino Cart®, or BuildPro® Fixturing Plates allows for quick and accurate setups when notching multiple parts.

Notch 25 – 63.5 mm OD pipes or square tubes at any angle, or off-center. Position the two V-Blocks and clamp as needed.

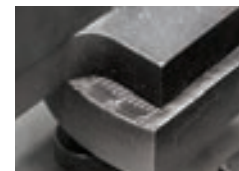
STRONG HAND TOOLS®
PATENT PENDING
 All Rights Reserved.



Arrange the Clamp and V-Blocks on the Modular Fixturing Block as needed for proper part positioning in each notching application.

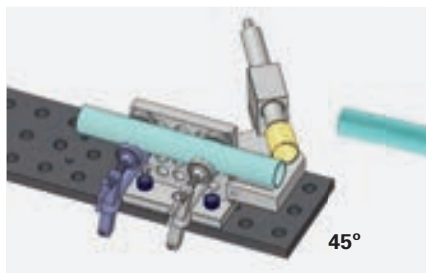


Height Setting Scale

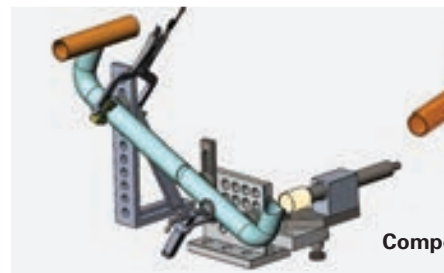


Angle Setting Scale

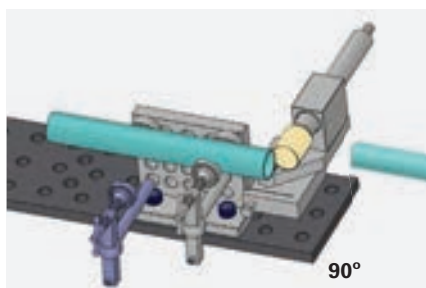
In the examples below, the Notcher is used to notch workpieces as needed to fit seamlessly into a final assembly:



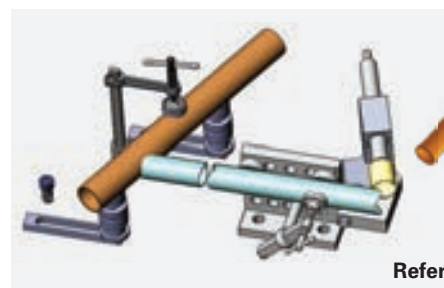
45°



Compound Angles



90°



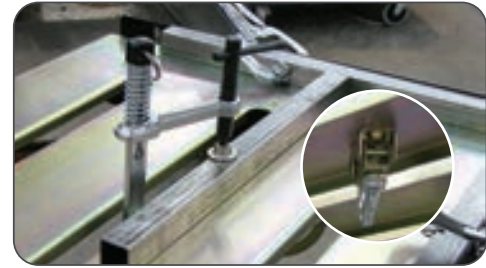
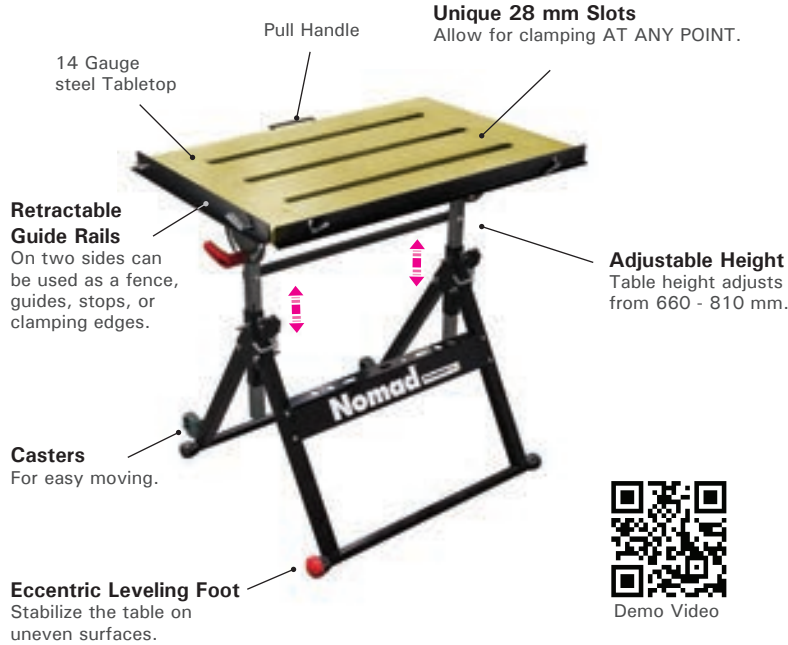
Reference Angles

NOMAD™ Economy Welding Table & Tool Kit

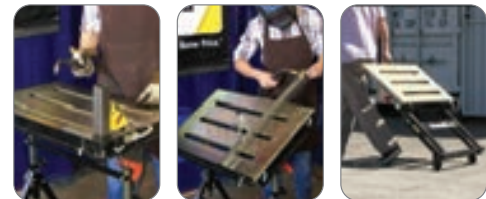
Very Affordable. Fully Adjustable. Easily Movable.



The Nomad Economy Welding Table is engineered to provide a safe, transportable, affordable, and versatile welding surface.



The MagSpring™ Clamps can be inserted into the 28 mm slots on the Nomad™ Tabletop for hold down clamping. Magnetic V-Pad jaw holds underneath the table to keep the clamp in the up-right, "ready to use" position.



Flat

30°

Folded

Part No.	Tabletop Size (mm)	Table Height Range (mm)	Slot in Tabletop (mm)	Table Position s	Load Capacity (kg)	Weight (kg)
TS3020	760W x 510L	660 - 810	28	0°, 30°, Folded	160	20

NOMAD™ ECONOMY TOOL KIT

The Nomad Economy Tool Kit is ideal for clamping and positioning stock on the Nomad Table.

Part No.	Kit includes	Weight (kg)
TSK104M	2x MagSpring Clamp UB45M 1x Multi-Angle Magnet MS346C 1x Mini Magnet MS346A 2x Magnetic V-Pad XDV4	1.8



NOMAD™ CONNECTOR PLATE

Need more tabletop workspace? Use the Nomad™ Connector Plate to join two Nomad Tables together to create a 2.3 m long workstation!

Clamp and work on larger projects, or multiple projects with the fully adjustable work surface! There are thru holes on all four sides of the Connector Plate for multiple mounting options.



TSL30 (Includes all mounting screws)

Part No.	Weight (kg)
TSL30	7.4



Strong Hand Tools offers different styles of welding tables to provide a solution for every need and workspace. All table systems have matching accessory kits to provide faster fixturing, consistent results, and greater productivity.



www.BuildProTables.com

The professional BuildPro® Welding Tables are setting a new standard in price and performance.

The BuildPro's modular design gives you the flexibility to adapt to each new project easily. You'll work more safely and efficiently, so you can increase both your productivity and quality of work.

- CNC machined 18 mm holes in a 50 mm grid pattern for locating, positioning and holding your fixture.
- REVERSIBLE Plates can be reconfigured to extend the width of the table for larger projects.

U.S. PAT. 8065967



*In-stock for immediate delivery.
Contact us for complete catalog.*

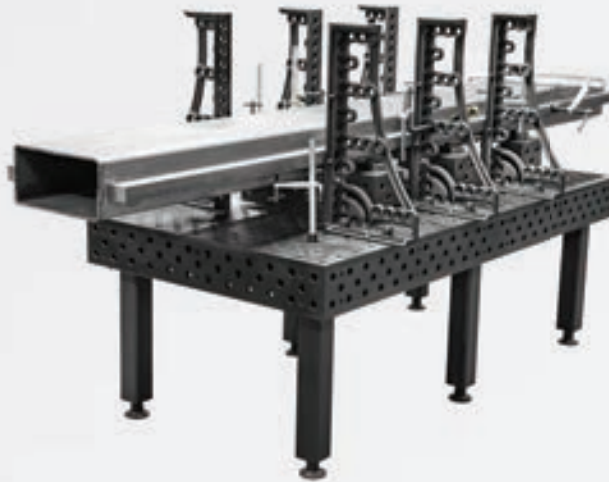
PRO28

28 mm Modular Fixturing System

www.Pro28Tables.com

Expand your capabilities in fixturing heavy duty, complex, or oversized weldments for precision welding and fabrication.

- Individual positionable, reversible table plates
- HV550- HV750 Tabletop Hardness
- QPQ Nitriding Treatment



StrongHand Tools
RHINO CART
MOBILE FIXTURING STATION

www.rhino-cart.com

The Rhino Cart® Mobile Fixturing Station is a turnkey system for fixturing and clamping in welding and fabrication.

- Reversible, flat, nitrided (heat treated) 1,200 x 750 mm tabletop for accuracy in all of your setups.
- The Rhino Cart® Table is compatible with the Clamps and Components in the BuildPro® Welding Table product line.

U.S. PAT. 9896117



Learn more about our other clamping and fabrication product lines.



FixturePoint™

Jig & Fixture Tables

www.StrongHandTools.com

The economy priced FixturePoint™ Tables are ideal for the setup of 2D frames and other basic fixtures.

Choose from three clamp and component kits that mate to the 16 mm holes on the 900 x 600 mm tabletop.

The FixturePoint™ tabletop can be detached from the leg frame for placement on alternate work surfaces as needed.



Toggle Clamps

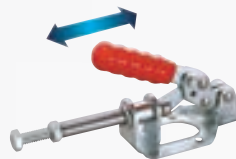
www.goodhandinc.com



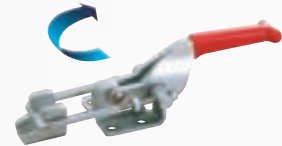
Vertical Handle
Hold Down Action



Horizontal Handle
Hold Down Action



Push/Pull
Straight Line Action



Latch Type
Pull Action



Machine Parts & Tooling Components.

www.valtrainc.com



Handwheels



Adjustable Handles



Crank Handles



Rotary T-Slot Nuts



Leveling Pads



Rotary T-Slot Bolts



Plain Eyebolts



Tel: 562.949.8625
Fax: 562.949.4875
Email : sales@stronghandtools.com
Address : 8750 Pioneer Blvd.,
Santa Fe Springs, CA 90670,U.S.A.

©2021.Ver1 All Rights Reserved.

