

## PV-MC Connector User Manual



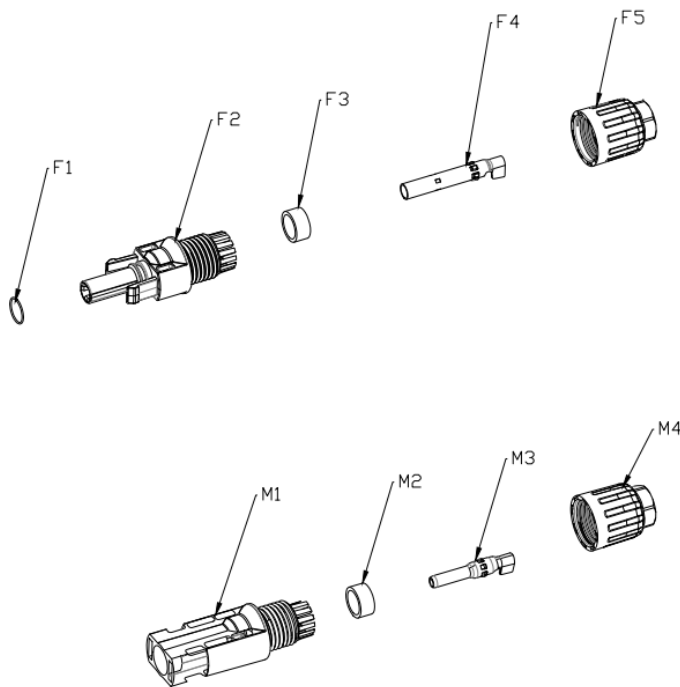
1. : Product Structure:

PV-MC is a connecting parts for solar panel circuits, which can connect various circuits safely and quickly. It with dustproof, waterproof, aging resistance, UV endurance, small&light, easy connection, safety and long life time features and so on.

PV-MC with self-locking structure, one set include the following parts:

- Insulation plastic: PPO
- Waterproof colloid: Silica gel
- Conductor material: Copper tin plating

Exploded views like below :



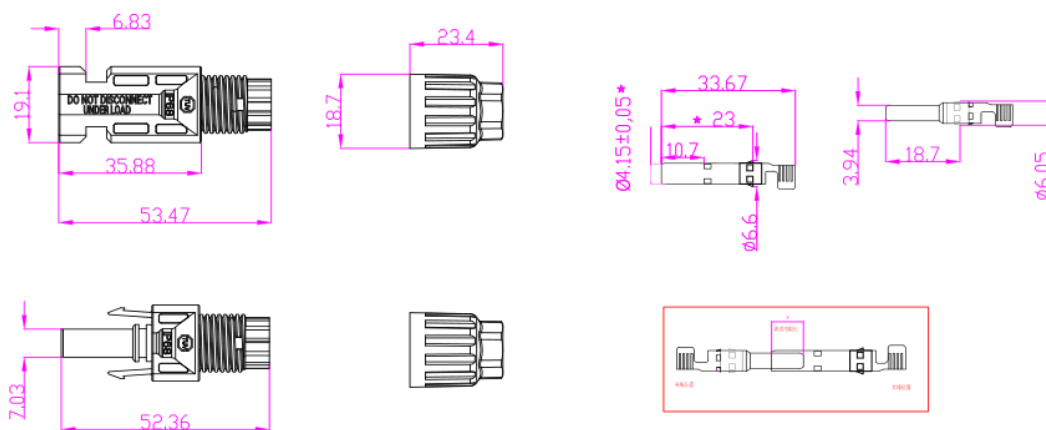
Remarks:

F1:O waterproof ring    F2:Female body    F3: Cylindrical waterproof glue

F4: Female conductor    F5:nut

M1:Male body    M2: Cylindrical waterproof glue    M3: Male conductor    M4:nut

2. Product size drawing:



Remark:

Unit: mm

3. Parameter:

Connector system	Φ 4mm
Rated Voltage	1000V
Rated current	1.5mm <sup>2</sup> : 17A 2.5mm <sup>2</sup> :22.5A 4mm <sup>2</sup> ~6mm <sup>2</sup> : 30A
Temperature range	-40℃~85℃
Waterproof class	Insertion: IP68; Non-insertion: IP2X
Contact resistance	≤0.35mΩ
Safety class	DC II
Connected system	multipoint connection
Wiring	crimping
Conductor	Copper tin plating
Insulation material	PPO
Self-locking system	Embedded
Flame class	UL94-V0

#### 4. Installation

1. Check if the accessories are ready:



2. Wire stripping 6mm-7mm, careful not to cut off the wire:



3. crimping, press all copper wire into the copper connector:



4. Insert the cable with copper conductor into the connector body:



5. Tighten the nut and be careful not to tilt:



6. The male and female completes the butt joint:

