



Excellent sound characteristics

hd PL12i

For acoustically sophisticated areas



hd PL12i

PowerLine Stick with excellent sound characteristics for acoustically sophisticated areas

The hd PL12i is a passive 1-way column speaker with an elegant look and excellent sound characteristics. The twelve high-performance 3" broadband chassis produce a coherent sound field with a cylindrical wave propagation. The true cylindrical wavefront provides better speech intelligibility compared to other column loudspeakers and predestines the hd PL12i PowerLine Stick for use in difficult acoustic environments such as churches, train stations, airports or concert halls where clarity, performance and a discreet look is required. The large range of up to 20 m and horizontal coverage of 80° ensures efficient sound solutions with only a few speakers. The shielded 3" chassis produce a punchy sound with simultaneous hi-fi resolution. The M6 square nuts through-hole on the back of the speaker allows mounting brackets. Internal clamping connections ensure a tool-free and quick connection of the loudspeaker. For optimum adaptation to the room architecture, the loudspeaker can be customized in all RAL-Color and special length.



hd PL12i Datasheet

Features

- real cylindrical wave propagation
- elegant design
- precise, even sound emission
- coverage pattern 80° x 15°
- excellent speech intelligibility
- discreet room integration
- 100V version available
- custom length possible

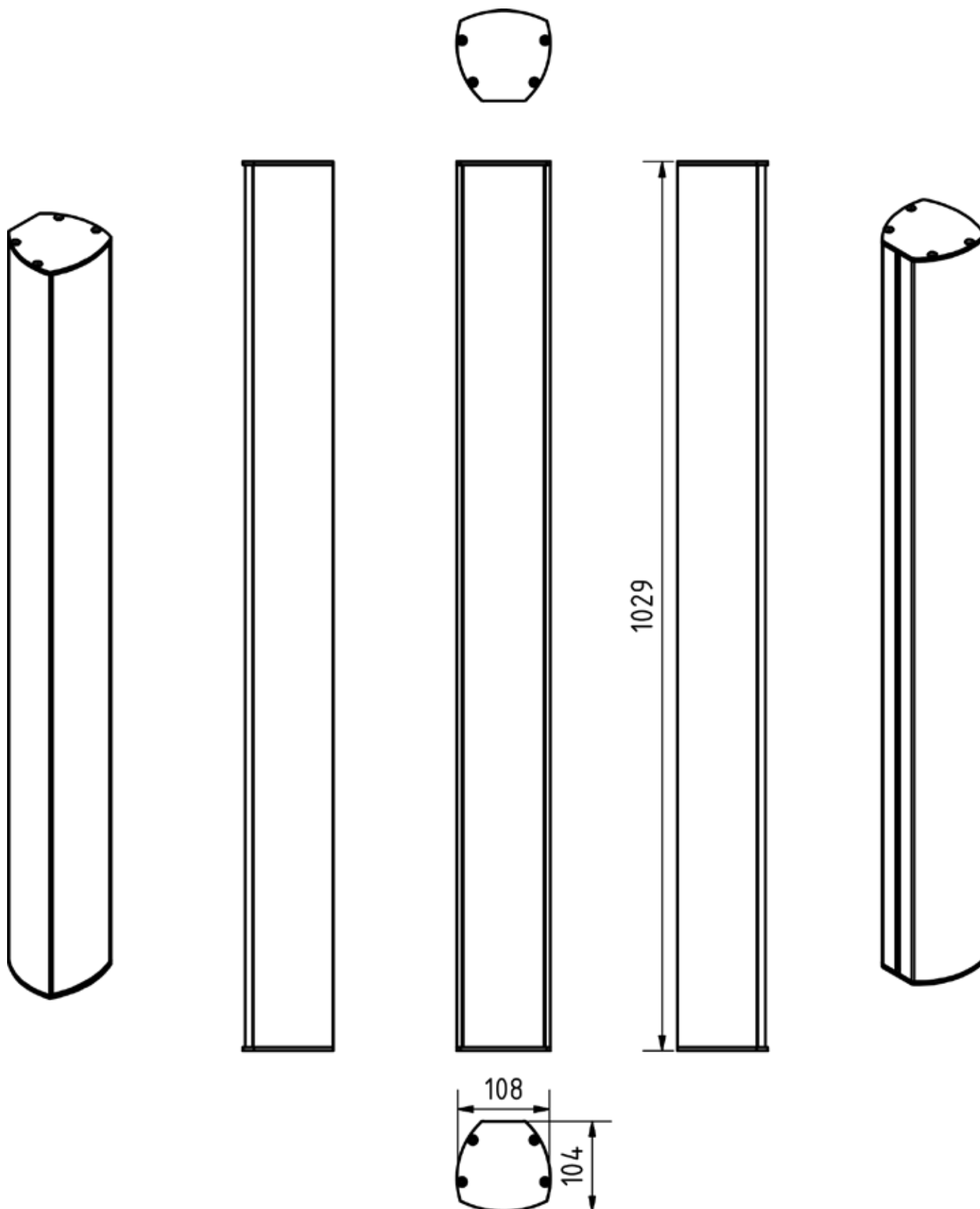
Application

Restaurants, bars, airports, train stations, home theater, conference rooms, hotels, A/V installations, multimedia applications, meeting rooms, TV studios, churches, live music, DJ, concert halls, radio

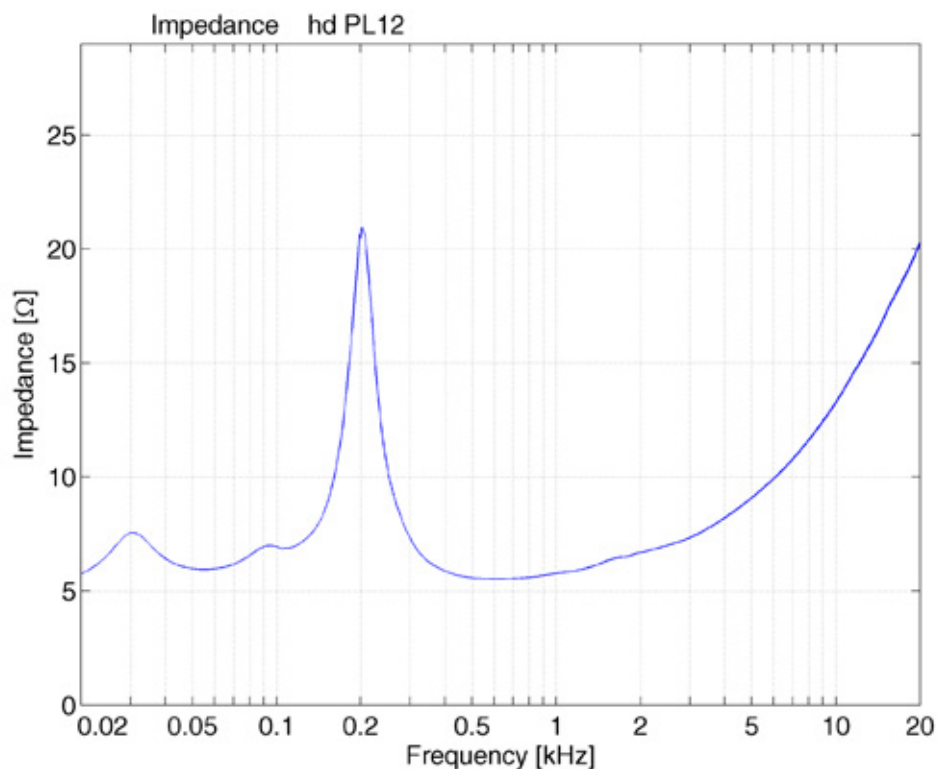
Model	hd PL12i
Order number	40150
Acoustic design	LineSource
Transducers	12x 3" fullrange chassis
Impedance	6 Ω
Coverage (hor x ver)	80° x 15°
Frequency range (-6 dB)	130 Hz - 18 kHz
Sensitivity (1W / 1m)	96 dB
Power Rating AES / Peak	450 / 630 W
SPLmax @ 10% THD	124 dB
Enclosure	powder-coated aluminum profile black, steel grille with acoustic foam, internal clamping terminal, cable inlet at the rear, incl. 2x M6 nut
Optional Accessories	RAL-Color (Art. 1070), various wall mount, special length (Art. 40713), weather resistant (Art. 40610), 100V-Transformer (Art. 1074)
Weight	9 kg
Dimensions (W x H x D)	108 x 1029 x 104 mm

hd PL12i Datasheet

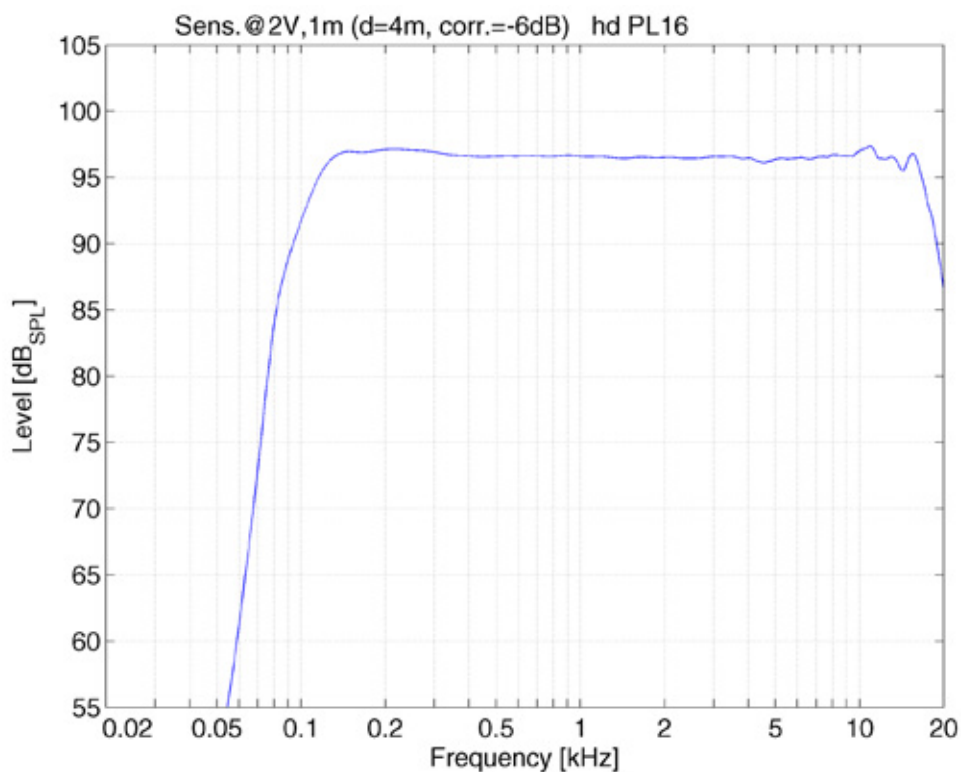
Dimensions [mm]



Impedance

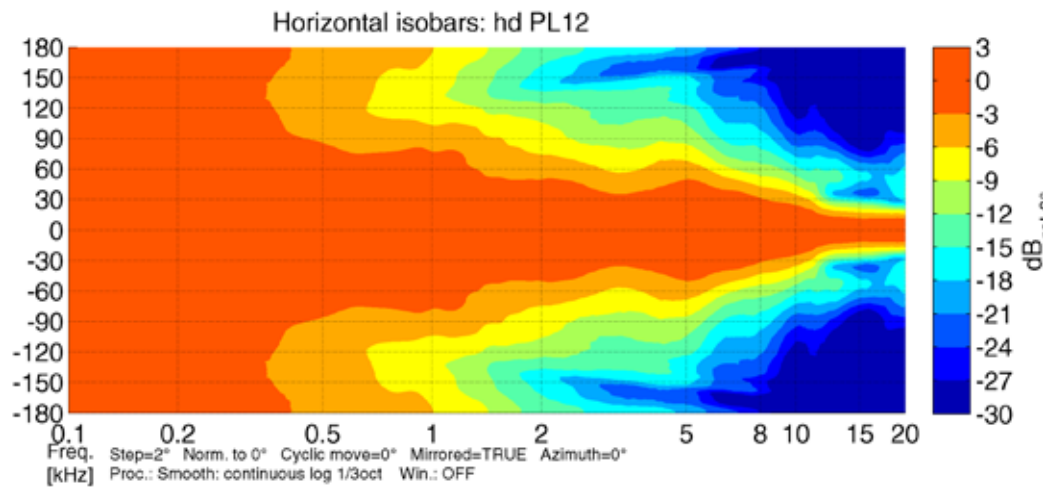


Frequency response with DSP preset

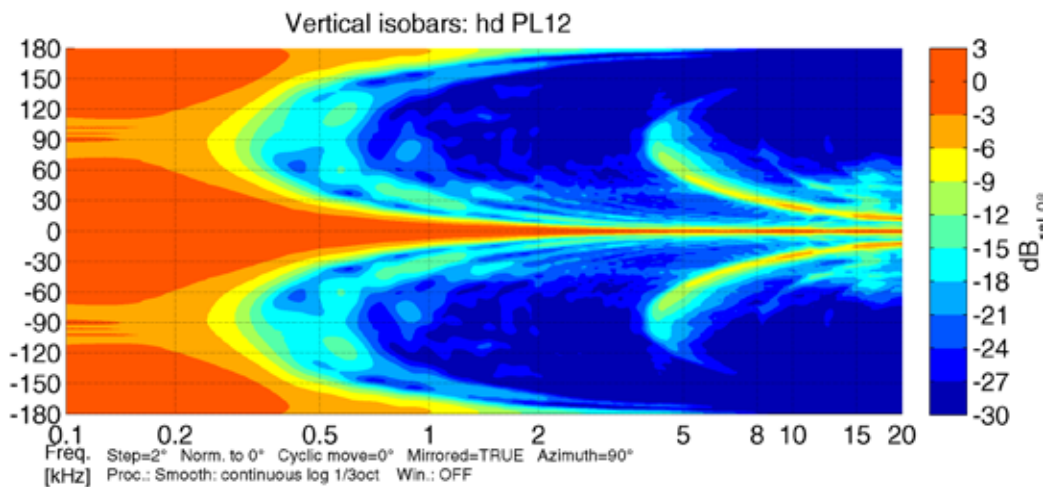


hd PL12i Datasheet

Horizontal Isobars

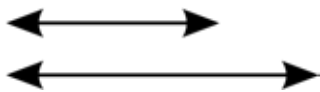


Vertical Isobars



hd PL12i Datasheet

Zubehör



Special length

Special length of the speaker according to customer requirements.

Order number: 40713 (up to 2000 mm total length)



RAL-Color

Special color per article according to RAL-Color chart.

Order number: 1070



Weather resistant

Impregnation against weather influences.

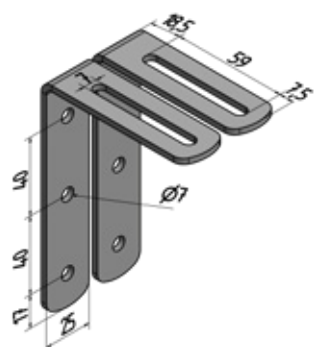
Order number: 40610



100V-Transformer

integrated 100V transformer with three power taps (30/15/7,5 W).

Order number: 1074



L-bracket wall mount-set

Discreet L-bracket set for extremely close mounting of the speaker to the wall. Side swivel with inclination up to 5°. The speakers housing plates are equipped with M6 inlet threads.

Incl. 2x M6x14 hexagon socket screws.

Load capacity: 30 kg

Dimensions (W x H x D): 20 x 60 x 80 mm

Order number: 900105 (in RAL-Color of speaker)



Wall mount 24471

Wall distance 110 mm, laterally swiveling with inclination up to 30°.

Load capacity: 15 kg

Dimensions (W x H x D): 90 x 160 x 110 mm

Order number: 900851BLK (black RAL 9005)

900851W (white RAL 9010)



Wall mount 24180

Wall distance 105 mm, laterally swiveling with inclination up to 15°.

Load capacity: 15 kg

Dimensions (W x H x D): 70 x 130 x 105 mm

Order number: 900854BLK (black RAL 9005)

900854W (white RAL 9010)

Engineered
Made
In Germany



Harmonic Design

...simply harmonic sound

**Harmonic Design
Audiotechnik GmbH**

Rudolf-Diesel-Straße 11
DE-74382 Neckarwestheim

+ 49 (0) 7133 / 900 8617
info@harmonic-design.com
www.harmonic-design.com