



# Excellent sound characteristics

## hd PL12

For acoustically sophisticated areas



## hd PL12

### PowerLine Stick with excellent sound characteristics for acoustically sophisticated areas

The hd PL12 is a passive 1-way column speaker with an elegant look and excellent sound characteristics. The twelve high-performance 3" fullrange chassis produce a coherent sound field with a cylindrical wave propagation. The true cylindrical wavefront provides better speech intelligibility compared to other column loudspeakers and predestines the hd PL12 PowerLine Stick for use in difficult acoustic environments such as churches, train stations, airports or concert halls where clarity, performance and an unobtrusive look is required. The large range of up to 20 m and horizontal coverage of 80° ensures efficient sound solutions with only a few speakers. The shielded 3" chassis produce a punchy sound with simultaneous hi-fi resolution. The M6 square nut through-hole on the back of the speaker allows all mounts or a tilting tripod adapter to be attached. A Speakon jack is located on the bottom plate for connecting inputs in mobile applications. A 35 mm flange allows use on a tripod.



# hd PL12 Datasheet

## Features

- real cylindrical wave propagation
- elegant design
- precise, even sound emission
- coverage pattern 80° x 15°
- excellent speech intelligibility
- discreet room integration
- 100V version available
- custom length possible

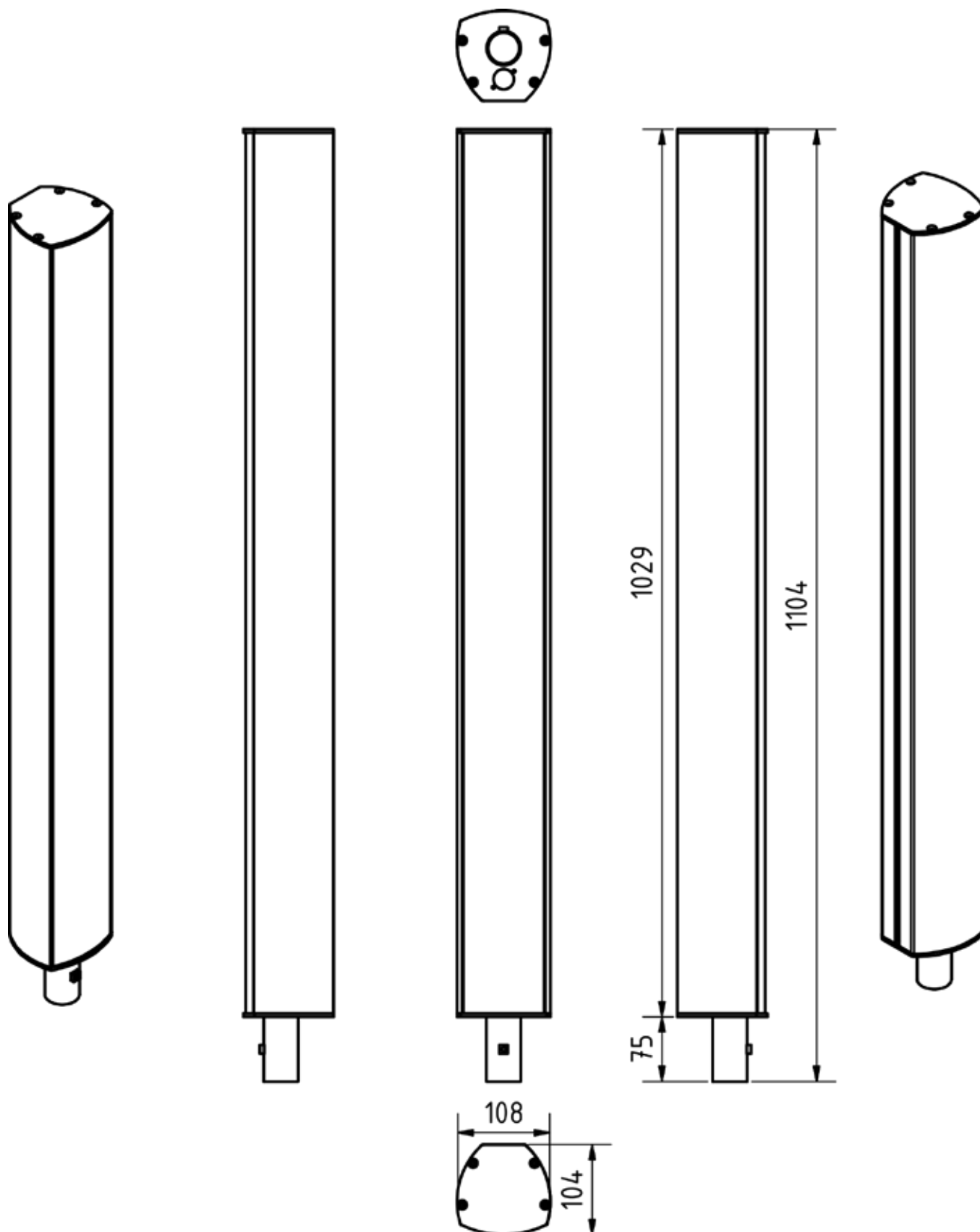
## Application

Restaurants, bars, airports, train stations, home theater, conference rooms, hotels, A/V installations, multimedia applications, meeting rooms, TV studios, churches, live music, DJ, concert halls, radio

<b>Model</b>	<b>hd PL12</b>
<b>Order number</b>	60225
<b>Acoustic design</b>	LineSource
<b>Transducers</b>	12x 3" fullrange chassis
<b>Impedance</b>	6 Ω
<b>Coverage (hor x ver)</b>	80° x 15°
<b>Frequency range (-6 dB)</b>	130 Hz - 18 kHz
<b>Sensitivity (1W / 1m)</b>	96 dB
<b>Power Rating AES / Peak</b>	450 / 630 W
<b>SPLmax @ 10% THD</b>	124 dB
<b>Enclosure</b>	powder-coated aluminum profile black, steel grille with acoustic foam, 1x Speakon NL4 + 35 mm flange on the bottom cover
<b>Optional Accessories</b>	Speakon NL4 (Art. 900109), Transport bag (Art. 30109), Double case (Art. 950044), RAL-Color, special length, weather resistant, 100V-Transformer, various wall mount
<b>Weight</b>	9 kg
<b>Dimensions (W x H x D)</b>	108 x 1104 x 104 mm

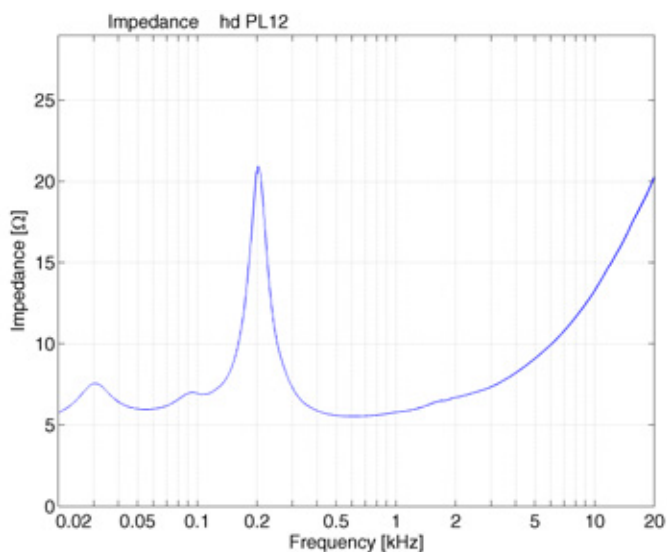
# hd PL12 Datasheet

## Dimensions [mm]

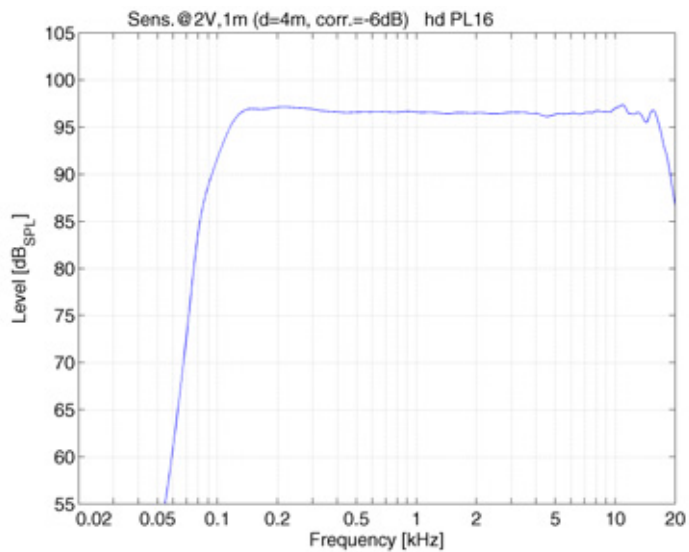


# hd PL12 Datasheet

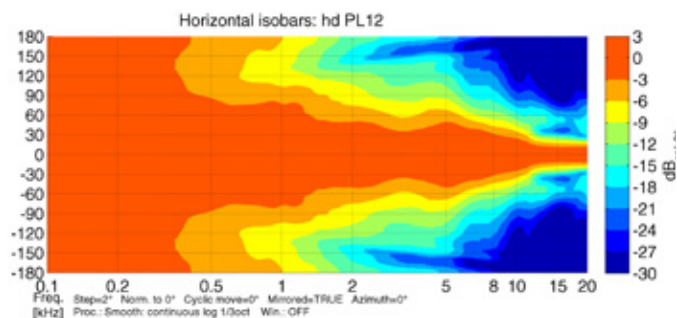
## Impedance



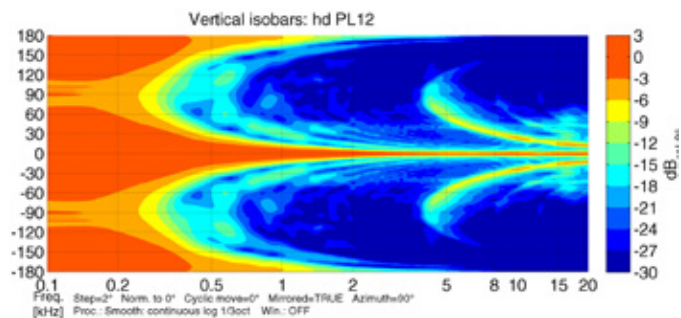
## Frequency response with DSP preset



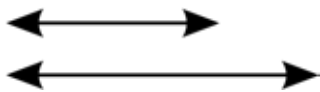
## Horizontal Isobars



## Vertical Isobars



## Accessories



### Special length

Special length of the speaker according to customer requirements.  
Order number: 40713 (up to 2000 mm total length)



### RAL-Color

Special color per article according to RAL-Color chart.  
Order number: 1070



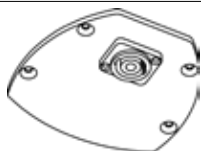
### Weather resistant

Impregnation against weather influences.  
Order number: 40610



### 100V-Transformer

Integrated 100V transformer with three power taps (30/15/7,5 W).  
Order number: 1074



### Plate with NL4

Closed bottom plate with SpeakCON NL4 connector.  
Order number: 900109



### Mounting adapter for mobile applications

Use with tripod adapter 19780 for easy and quick installation with two thumbscrews in mobile applications.

Order number: 900858 (black RAL 9005)



### Transport bag hd PL12

Durable polyester carrying bag with 10 mm padding and zipper, carrying handle, shoulder strap and hd logo print.

Order number: 30109

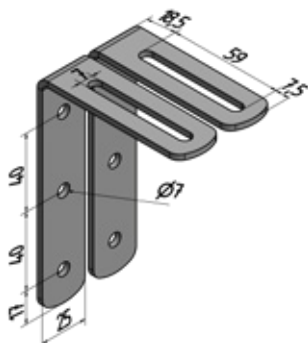


### Double case hd PL12

Lightweight polypropylene double case for 2x hd PL12, with wheels, transport handle in the middle.

Order number: 950044

## Accessories



### L-bracket wall mount-set

Discreet L-bracket set for extremely close mounting of the speaker to the wall. Side swivel with inclination up to 5°. The speakers housing plates are equipped with M6 inlet threads.

Incl. 2x M6x14 hexagon socket screws.

Load capacity: 30 kg

Dimensions (W x H x D): 20 x 60 x 80 mm

Order number: 900105 (in RAL-Color of speaker)



### Tripod adapter 19780

Tripod adapter for tilting up to 30° on a 35 mm tripod.

Load capacity: 15 kg

Dimensions (W x H x D): 59 x 87 x 131 mm

Order number: 900856 (black RAL 9005)



### Wall mount 24471

Wall distance 110 mm, laterally swiveling with inclination up to 30°.

Load capacity: 15 kg

Dimensions (W x H x D): 90 x 160 x 110 mm

Order number: 900851BLK (black RAL 9005)  
900851W (white RAL 9010)



### Wall mount 24180

Wall distance 105 mm, laterally swiveling with inclination up to 15°.

Load capacity: 15 kg

Dimensions (W x H x D): 70 x 130 x 105 mm

Order number: 900854BLK (black RAL 9005)  
900854W (white RAL 9010)

Engineered  
Made  
In Germany



Harmonic Design

*...simply harmonic sound*

**Harmonic Design  
Audiotechnik GmbH**

Rudolf-Diesel-Straße 11  
DE-74382 Neckarwestheim

+ 49 (0) 7133 / 900 8617  
info@harmonic-design.com  
www.harmonic-design.com