



# Decentral sound system hd C5CX

For outstanding music and speech applications



## hd C5CX

### Passive Commercial Stick for outstanding music and speech applications

The hd C5CX is a passive 2 1/2-way compact speaker equipped with four 3" woofers supporting a 3.5" woofer with a coaxially arranged 1" tweeter in a D'Appolito design with extended linear frequency response. The operation can be done via any power amplifier without DSP and makes the hd C5CX the optimal solution for decentralized or small sound reinforcement tasks such as in restaurants, conference rooms or theaters. The hd C5CX can be flexibly and easily installed permanently or can be used as a mobile ultra compact short throw speaker. Using the discreet ball joint wall mount, the hd C5CX can be easily swiveled and tilted or attached to the surface to be fixed extremely close and inconspicuous with the L-angle wall mount. Internal connection terminals ensure a tool-free and fast connection of the loudspeaker. For optimum adaptation to the room architecture, the loudspeaker can be customized in all RAL-Colors and special lengths. If wall mounting is not possible, the speaker can be used with the optional 3/8" inlet thread bottom plate and SpeakCON connector on a microphone stand.



# hd C5CX Datasheet

## Features

- operation with any amplifier
- integrated frequency and phase optimization
- elegant design
- precise and even sound emission
- coverage pattern 80° x 80°
- excellent speech intelligibility
- extended frequency response for background music
- 100V version available

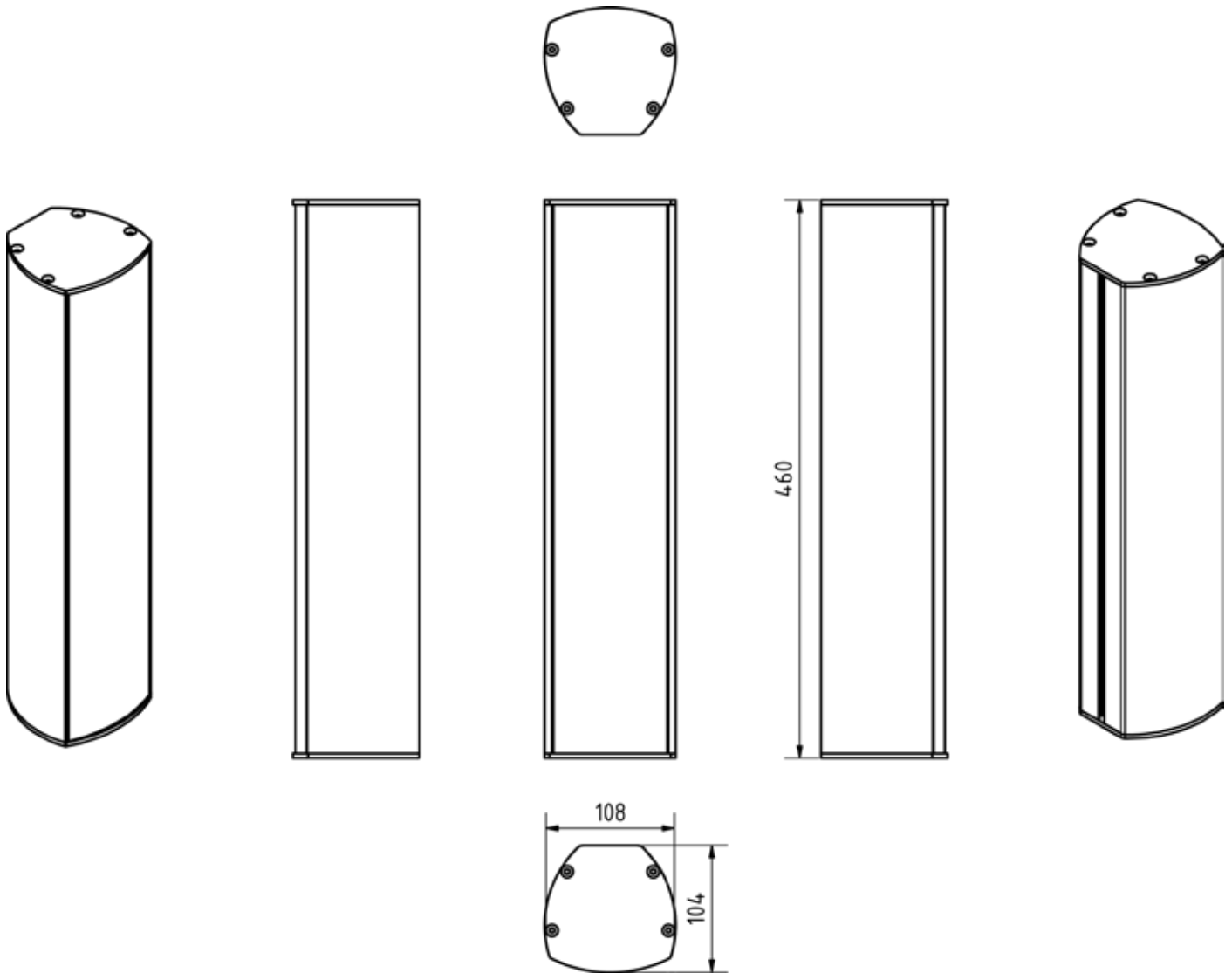
## Application

Restaurants, bars, airports, train stations, home theater, conference rooms, hotels, A/V installations, multimedia applications, meeting rooms, TV studios, churches

<b>Model</b>	<b>hd C5CX</b>
<b>Order number</b>	40360
<b>Acoustic design</b>	Coaxial, D'Appolito
<b>Transducers</b>	4x 3" woofers 1x 3,5" + 1" coaxial driver
<b>Impedance</b>	8 Ω
<b>Crossover</b>	4 kHz
<b>Coverage (hor x ver)</b>	80° x 80°
<b>Frequency range (-6 dB)</b>	90 Hz - 22 kHz
<b>Sensitivity (1W / 1m)</b>	91 dB
<b>Power Rating AES / Peak</b>	190 / 265 W
<b>SPLmax @ 10% THD</b>	115 dB
<b>Enclosure</b>	powder-coated aluminum profile black, steel grille with acoustic foam, connection terminal inside, cable inlet rear, incl. 2x M6 nuts
<b>Optional Accessories</b>	Speakon NL4 (Art. 900109), 3/8"- inlet thread + NL4 (Art. 900107), 35 mm flange + NL4 (Art. 900857), RAL-Color, wall mount, special length, weather protection, 100V
<b>Weight</b>	4 kg
<b>Dimensions (W x H x D)</b>	108 x 460 x 104 mm

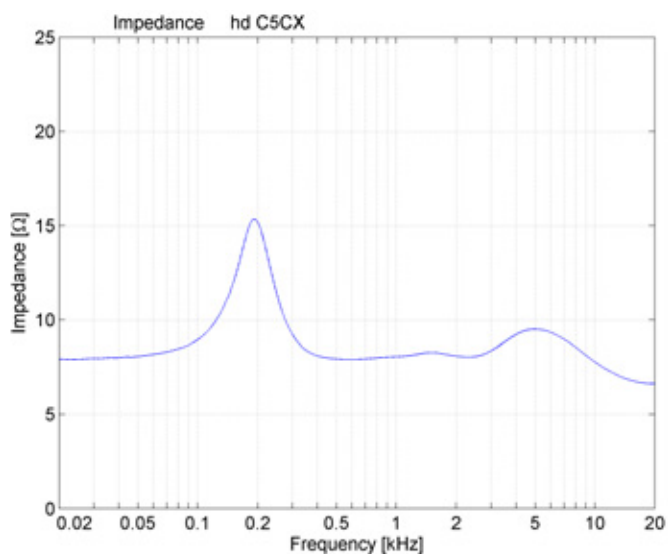
# hd C5CX Datasheet

## Dimensions [mm]

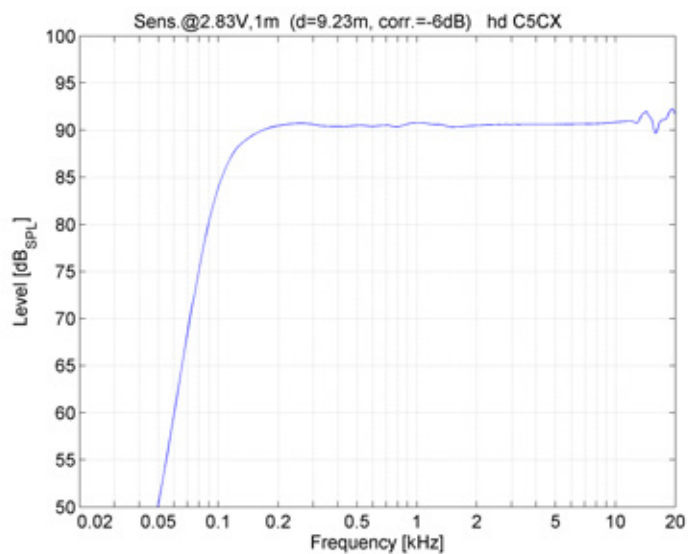


# hd C5CX Datasheet

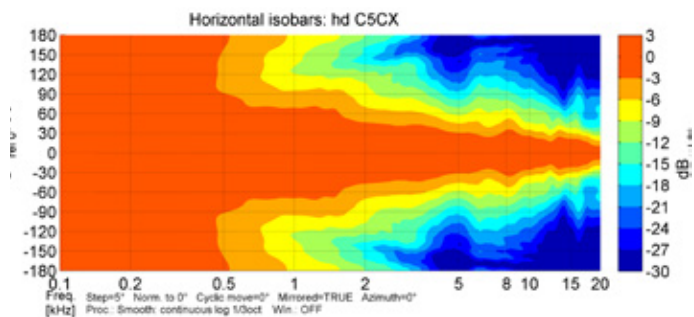
## Impedance



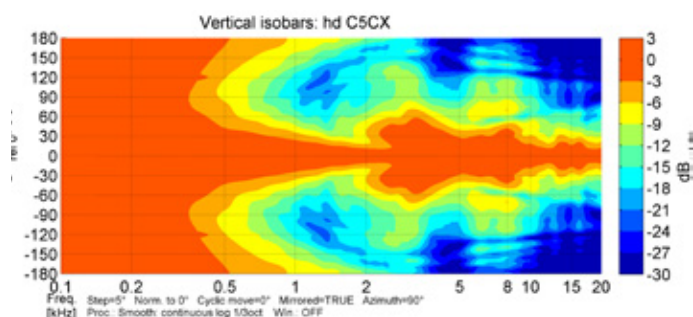
## Frequency response with DSP preset



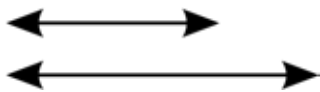
## Horizontal Isobars



## Vertical Isobars



## Accessories



### Special length

Special length of the speaker according to customer requirements.

Order number: 40712 (up to 1000 mm total length)

40713 (up to 2000 mm total length)



### RAL-Color

Special color per article according to RAL-Color chart.

Order number: 1070



### Weather resistance

Impregnation against weather influences.

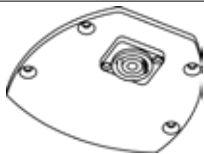
Order number: 4610



### 100V-Transformer

Integrated 100V transformer with three power taps (30/15/7,5 W).

Order number: 1074



### Plate with NL4

Closed bottom plate with SpeakCON NL4 connector.

Order number: 900109



### Plate with 3/8\" data-bbox="282 527 589 543"/>

Bottom plate with 3/8\" data-bbox="282 546 753 580"/>

Order number: 900107



### Plate with 35 mm flange and NL4

Bottom plate with 35 mm flange with thumbscrew for mounting on a distance rod and with SpeakCON NL4 connector.

Order number: 900857

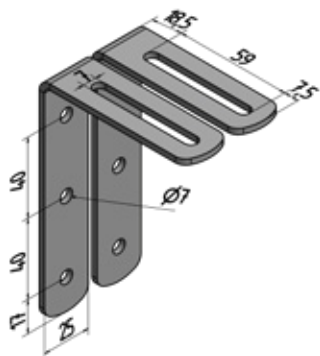


### Mounting adapter for mobile applications

Use with inclinable stand adapter 19780 for easy and quick installation with two thumbscrews in mobile applications.

Order number: 900851 (black RAL 9005)

## Accessories



### L-bracket wall mount-set

Discreet L-bracket set for extremely close mounting of the speaker to the wall. Side swivel with inclination up to 5°. The speakers housing plates are equipped with M6 inlet threads.

Incl. 2x M6x14 hexagon socket screws

Load capacity: 5 kg

Dimensions (W x H x D): 20 x 60 x 80 mm

Order number: 900105 (in RAL-Color of speaker)



### Ball joint wall mount

Compact ball joint wall mount bracket for tilting up to 20° and pivoting of up to 180°.

Load capacity: 5 kg

Dimensions (W x H x D): 40 x 70 x 70 mm

Order number: 901101BLK (black RAL 9005)

901101W (white RAL 9010)



### Stand adaptor 19780

Tripod adaptor for tilting up to 30° on a 35 mm tripod.

Load capacity: 15 kg

Dimensions (W x H x D): 59 x 87 x 131 mm

Order number: 900856 (black RAL 9005)



### Wall mount 24471

Wall distance 110 mm, laterally swiveling with inclination up to 30°.

Load capacity: 15 kg

Dimensions (W x H x D): 90 x 160 x 110 mm

Order number: 900851BLK (black RAL 9005)

900851W (white RAL 9010)



### UniBracket CCX

Adapter for CCX speaker for horizontal mounting to the front edge of the stage or monitor application. Wall mounting also possible incl. thumbscrew.

Dimensions (W x H x D): 90 x 42 x 130 mm

Order number: 900870BLK (black RAL 9005)

900870W (white RAL 9010)

Engineered  
Made  
In Germany



Harmonic Design

*...simply harmonic sound*

**Harmonic Design  
Audiotechnik GmbH**

Rudolf-Diesel-Straße 11  
DE-74382 Neckarwestheim

+ 49 (0) 7133 / 900 8617  
info@harmonic-design.com  
www.harmonic-design.com