



Audiophile conference solution hd VideoBar 65

All-In-One sound system with integrated camera



hd VideoBar 65

All-In-One conference solution with integrated camera

The hd VideoBar is an audiophile all-in-one sound solution with an intelligent camera for video



conferences in conference rooms, training rooms and multi-media applications with a configurable audio matrix with digital mixer functions and presenter function. The inconspicuously integrated smart camera of the Huddly IQ type impresses with the latest features for high-quality video conferences. The optionally available camera can be easily and quickly integrated via a recess on the back and a pure soundbar becomes a state-of-the-art, multifunctional video conference system of the highest quality. The tried and tested FIR filter technology guarantees excellent speech intelligibility even during video conferences or presentations. The FIR filter technology enables frequency and phase independent sound optimization for undistorted reproduction. The integrated subwoofer array delivers a crisp, round bass without booming.

The input stage consists of a stereo line-in with auto-detect function for TV or media sound and two microphone line-in for the connection of wireless microphones, headsets, clip-on microphones or any line signals. A volume control for both microphone channels is located on the rear panel, which is recessed. Four sound presets and four microphone presets, suitable for the most common microphone types and models, can be recalled by using the preset buttons on the recessed connection panel. The integrated microphones of the Huddly camera with beamforming technology are used for video conferences. A dynamic processor with expander, compressor and gate function for the microphone channels and a freely configurable EQ section for room and microphone equalization allows the best adjustment of the player device without additional hardware. BYOD prepared thanks to integrated Bluetooth 5.0. For the audio-technical equipment of HuddleRooms, media steles, conference rooms, museums, educational institutions or hotel suites, the state-of-the-art, reliable and easy-to-use all-in-one solution hd VideoBar can be used cost-effectively without compromising at any point and external DSPs and matrix systems become superfluous. With the help of mounting brackets, the hd VideoBar can be easily attached to VESA brackets on the screen. Alternatively, all common wall brackets can be attached to the continuous T-slot on the back. Thanks to flexible manufacturing processes, the hd VideoBar has been adaptable to the screen dimensions and environment for years – without a long delivery time.

A recessed connection panel with three 3.5 mm jack input sockets with auto-detect function, 4-pin Power-Din power socket for external 24V power supply, BT pairing button and two preset buttons are located on the back of the housing. The camera is connected to a notebook or PC using a USB cable.

hd VideoBar 65 Datasheet

Features

- Complete Plug & Play audio/video solution with digital mixer functions
- 2x microphone inputs + media sound
- 4 microphone presets + 4 sound presets
- BYOD compatible via Bluetooth 5.0

DSP & electronics features

- 4-channel Class-D amplifier with 300 W RMS
- 4 + 2In/4Out high-end hd ProDSP with > 50 MIPS
- LinearPhase FIR filter

Acoustic & mechanical features

- L/R dual-concentric chassis
- Integrated subwoofer array for extended frequency response from 45 Hz
- for 65" screen, custom-made production screen dimensions without long delivery times
- elegant high quality aluminum housing with recessed connections

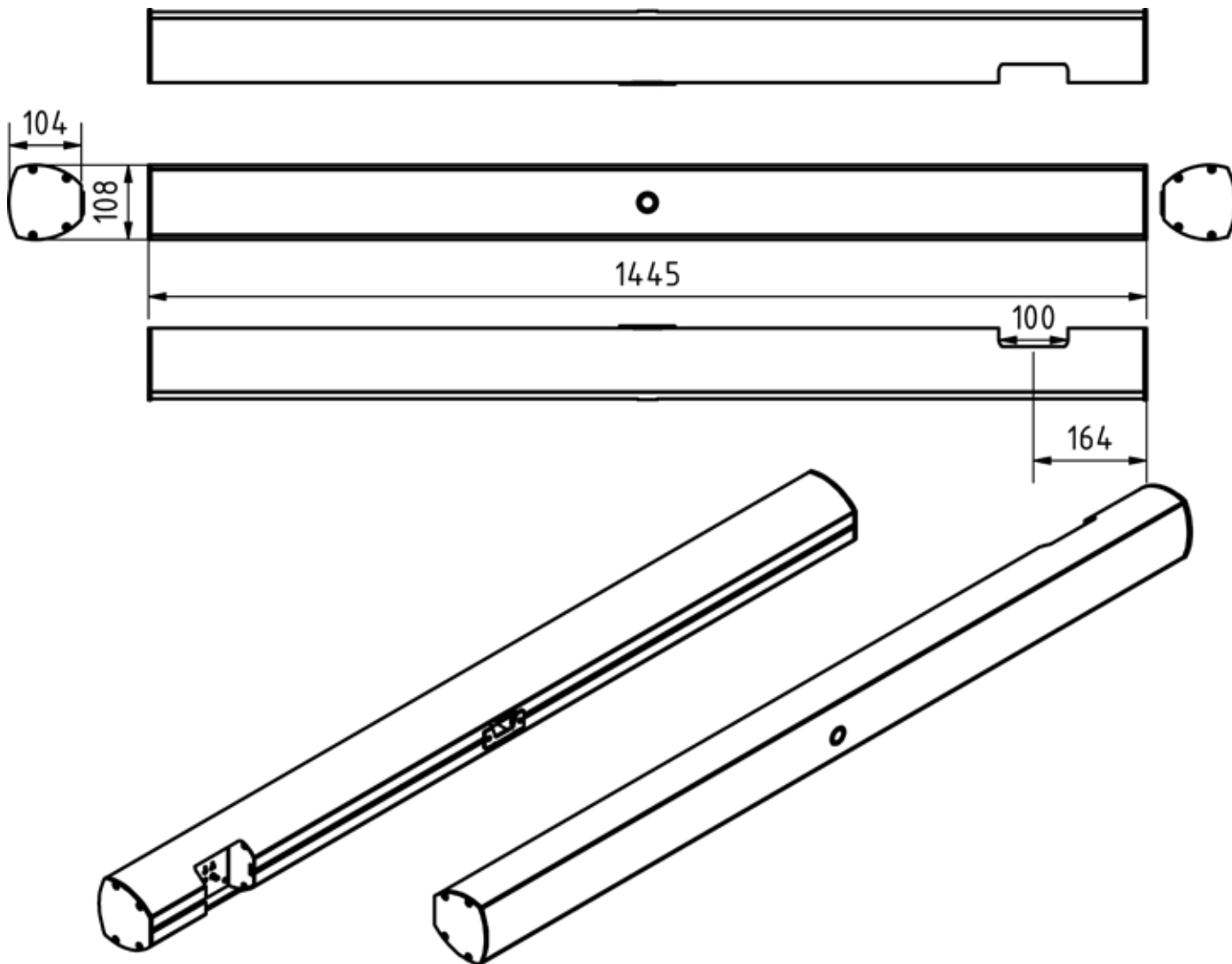
Application

Media steles, educational institutions, huddle rooms, museums, conference rooms, training rooms, hotels

Model	hd VideoBar 65
Order number	402016-65
Design	active 2.1 Multi-Media-System
Transducers	L/R: 2x 3,5" + 1" DualConcentric Subwoofer: 3x 3,5" long-stroke-woofers + 2x 3,5" super-long-stroke passive radiators
Camera integration	optional Huddly IQ with microphone array, other models on request
Coverage (hor x ver)	80° x 80°
Frequency range (-6 dB)	45 Hz - 22 kHz
SPLmax @ 10% THD	111 dB
Amplifier power	300 W RMS
Digital Signal Processor	hd ProDSP 4+2In 4Out – FIR-/IIR-Filter RoomEQ, MicEQ, Compressor, Gate, Expander, Matrix, 4 Sound-Presets, 4 Mic-Presets, Remote control
Connections	1x Stereo 3,5 mm jack line in, 2x Mono 3,5 mm jack Mic in, 1x mini USB, 1x 4-pin DIN power socket – 24V PSU
Enclosure	powder-coated aluminum housing black, grille with acoustic foam, recessed connection panel, volume control, 2x preset button, pairing button
Options	RAL-Color (Art. 1070), various wall brackets, special length (Art. 40713)
Weight	7 kg
Dimensions (W x H x D)	108 x 1445 x 104 mm

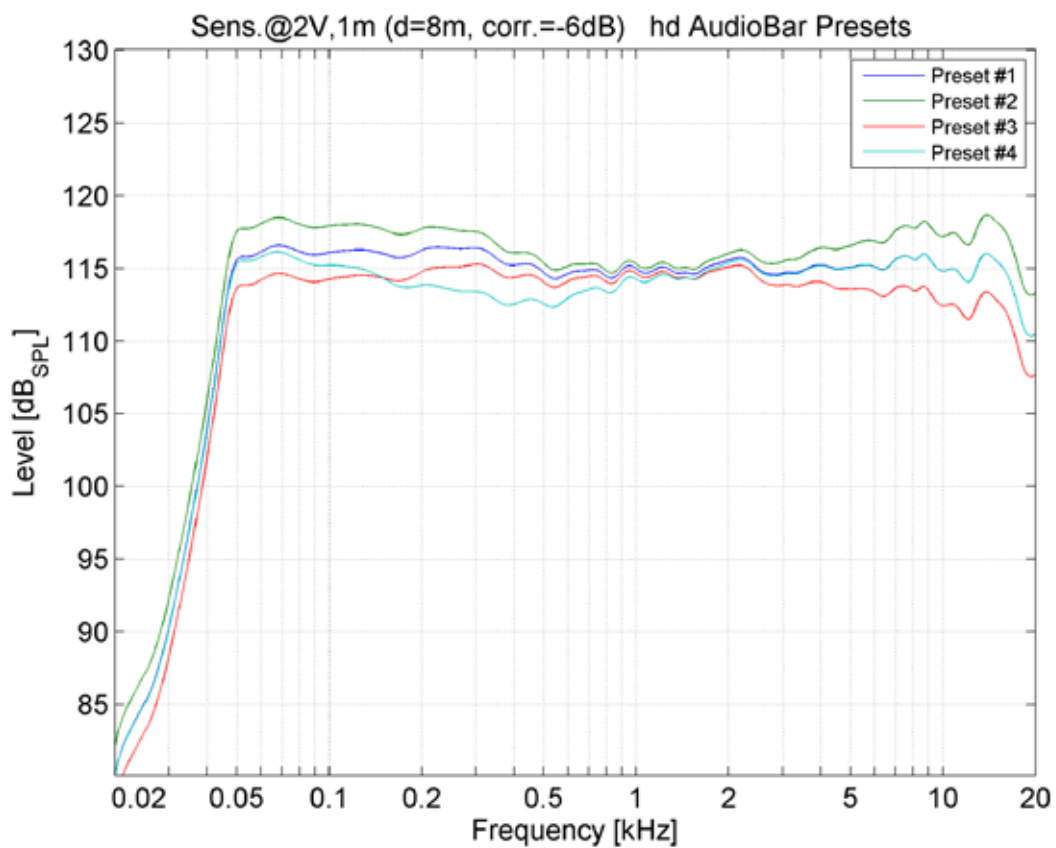
hd VideoBar 65 Datasheet

Dimensions [mm]



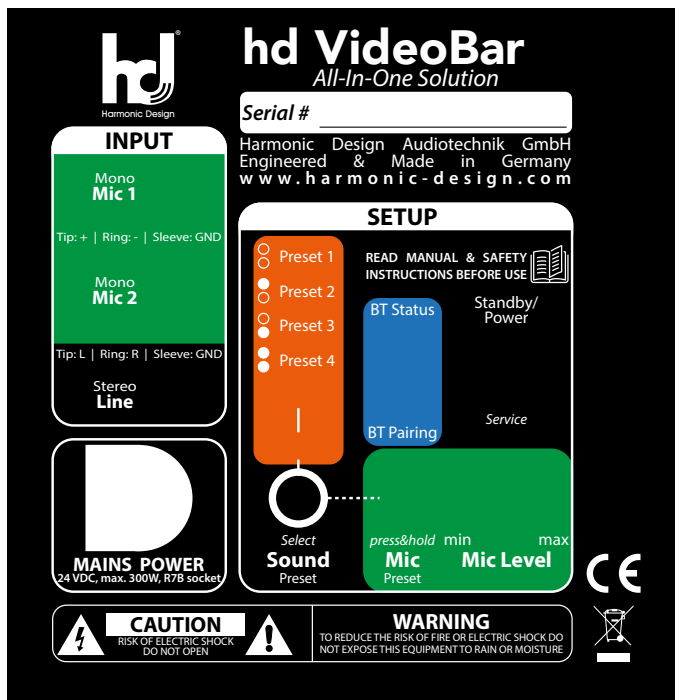
hd VideoBar 65 Datasheet

Frequency response with DSP Preset



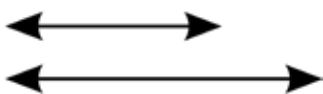
hd VideoBar 65 Datasheet

Connection panel



hd VideoBar 65 Datasheet

Accessories



Special length

Special length of the speaker according to customer requirements.

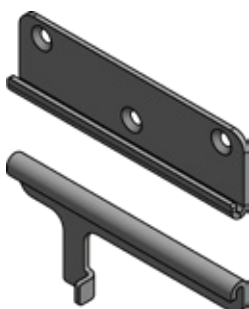
Order number: 40713 (up to 2000 mm total length)



RAL-Color

Special color per article according to RAL-Color chart.

Order number: 1070



InvisibleBracket

Wall bracket for invisible attachment to a flat wall with the smallest distance.

Load capacity: 10 kg

Dimensions (W x H x D): 20 x 60 x 80 mm

Order number: 900873



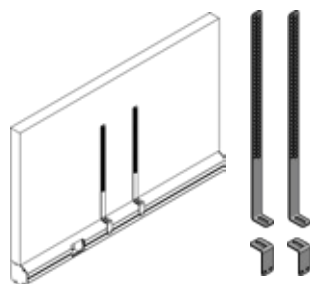
UniBracket CCX

For table mounting a hd VideoBar in sideboards, TV furniture or other surfaces. Wall mounting also possible including wing screw to adjust the inclination.

Dimensions (W x H x D): 90 x 42 x 130 mm

Order number: 900870BLK (black RAL 9005)

900870W (white RAL 9010)



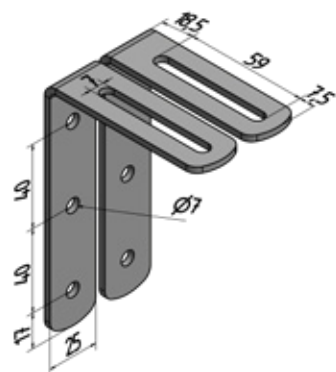
TVBracket

For the precise installation of an hd VideoBar at the VESA mounting points on the screen. Distance adjustable in height and depth.

Load capacity: 10 kg

Dimensions (W x H x D): 90 x 160 x 110 mm

Order number: 900883



L-bracket wall mount-set

Discreet L-bracket set for extremely close mounting of the speaker to the wall. Side swivel with inclination up to 5°. The speakers housing plates are equipped with M6 inlet threads. Incl. 2x M6x14 hexagon socket screws.

Load capacity: 30 kg

Dimensions (W x H x D): 20 x 60 x 80 mm

Order number: 900106 (in RAL-Color of speaker)

Engineered
Made
In Germany



Harmonic Design

...simply harmonic sound

**Harmonic Design
Audiotechnik GmbH**

Rudolf-Diesel-Straße 11
DE-74382 Neckarwestheim

+ 49 (0) 7133 / 900 8617
info@harmonic-design.com
www.harmonic-design.com