



# Enormous depth hd Infra212

For touring and installation applications



## hd Infra212

### Hybrid Subwoofer for touring and installation applications

The hd Infra212 is a high-performance subwoofer for the precise reproduction of frequencies below 34 Hz. Exceptional power reserves with minimal distortion make the hd Infra212 a modern and flexible tool for touring and installation applications where extreme sound pressure in the lowest frequency band and maximum control over the radiation behavior is required. The hybrid horn construction with bass reflex tuning houses two special 12" high-performance chassis with 4" voice coil and a linear stroke of 25 mm.

Driven with up to 8,000 W, sound pressure levels of 143 dB are achieved. Thanks to its compact dimensions and extremely low overall height, it can be easily placed under 40 cm stages. A large, flow-optimized reflex port in the center enables excellent air excitation with minimal turbulence and the associated distortion for that size to power output. Due to the long-throw, high efficiency and passive directivity, the hd Infra212 can be optimally integrated into LineArray applications. Two M20 threads allow horizontal and vertical operation with a mid-high speaker on a distance rod. A Speakon reversible socket in the protective front grille enables the use for cardioid subwoofer arrays without the need for special interchangeable cables.



# hd Infra212 Datasheet

## Features

- 12" high-performance speaker with 4" voice coil
- extremely high performance of up to 143 dB
- passive directivity for stacks with 3 units
- robust housing with polyurethane coating
- Speakon reversible socket at the front
- stand-alone vertically, horizontally or as a cardioid subwoofer array
- extended frequency response below 34 Hz
- prepared for hd SilentWheels

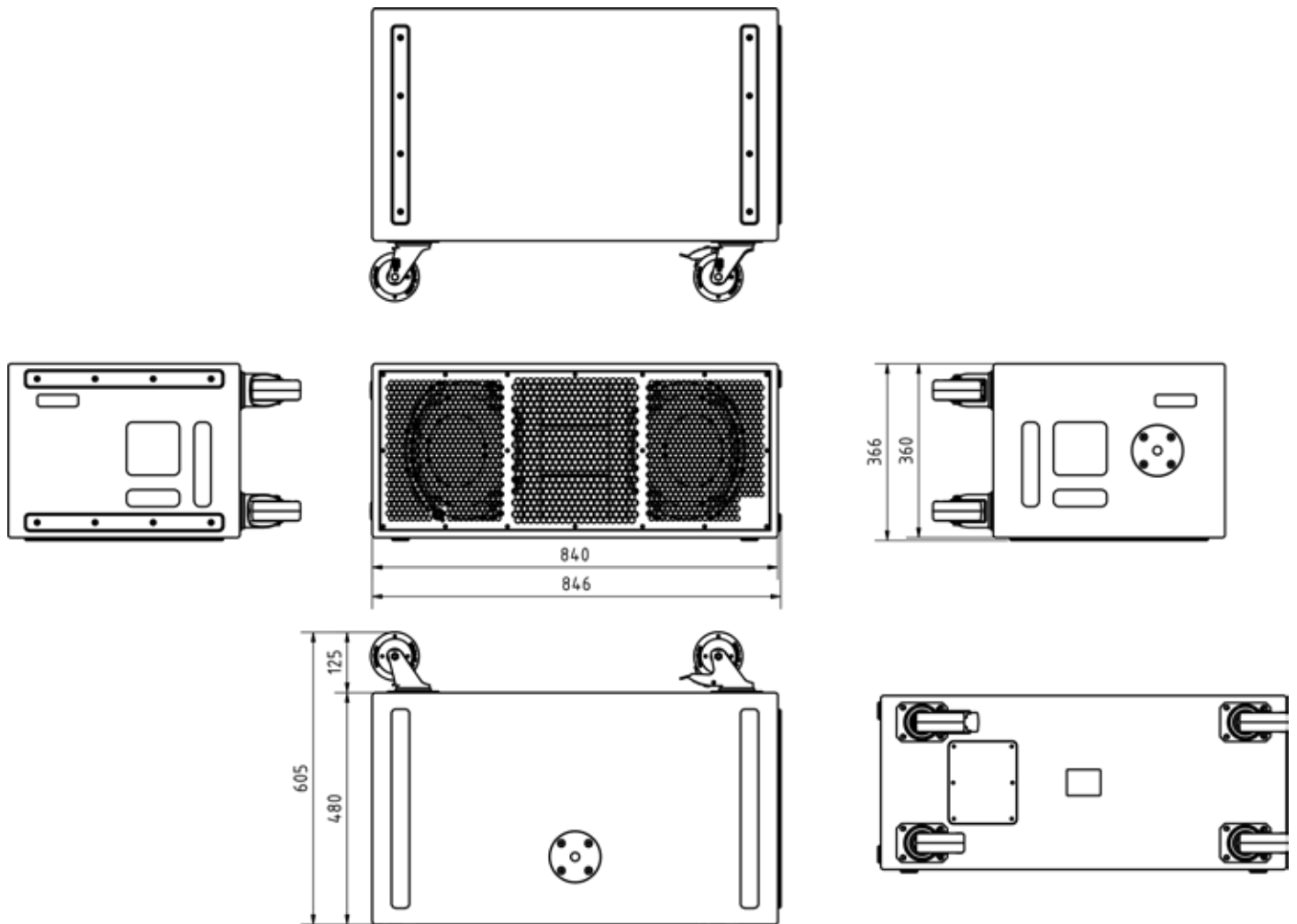
## Application

Live sound reinforcement, touring, rental, concert halls, discotheques, sports facilities, DJ, cinema

<b>Model</b>	<b>hd Infra212</b>
<b>Order number</b>	60027
<b>Acoustic design</b>	Hybrid horn, bass reflex
<b>Transducers</b>	2x 12"-woofer, 4" voice coil
<b>Impedance</b>	4 Ω
<b>Crossover</b>	Variable according to preset
<b>Coverage (hor x ver)</b>	omni, cardioid/end-fire with preset
<b>Frequency range (-6 dB)</b>	34 Hz - 160 Hz
<b>Sensitivity (1W / 1m)</b>	102 dB
<b>Power rating AES / Peak</b>	2.000 / 8.000 W
<b>SPLmax @ 10% THD</b>	143 dB
<b>Enclosure</b>	Robust multiplex housing with black polyurethane coating, recessed connection panel with 2x NL4 at the rear, reversible socket NL4 at the front, 2x M20 thread, 2x handle, steel grille with acoustic foam on the inside
<b>Optional accessories</b>	Transport cover (Art. 30125), hd SilentWheels set (Art. 1035), weather resistant (Art. 40610), RAL-Color (Art. 1073)
<b>Weight</b>	54 kg
<b>Dimensions (W x H x D)</b>	846 x 366 x 480 mm

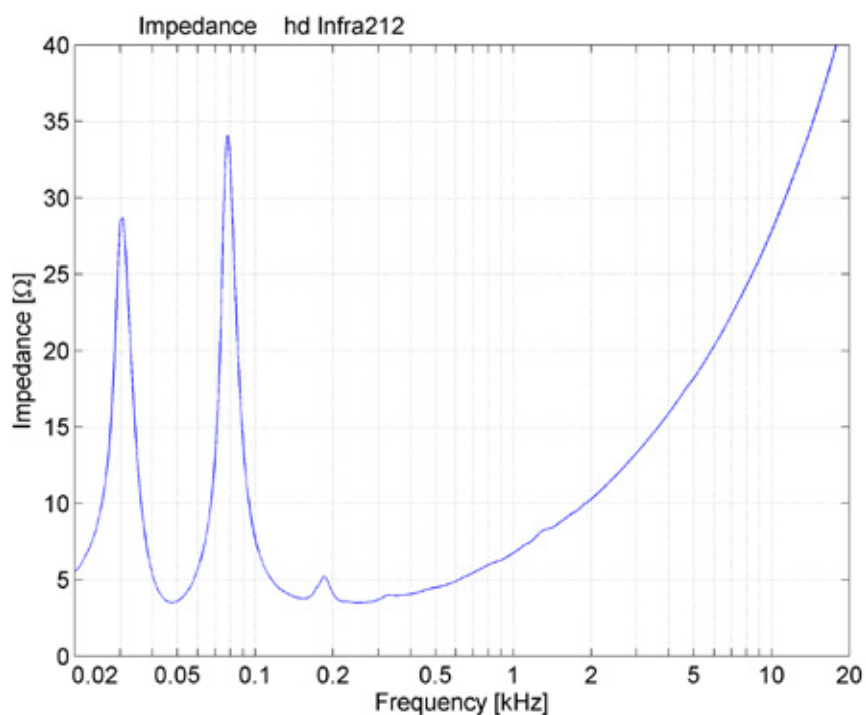
# hd Infra212 Datasheet

## Dimensions [mm]

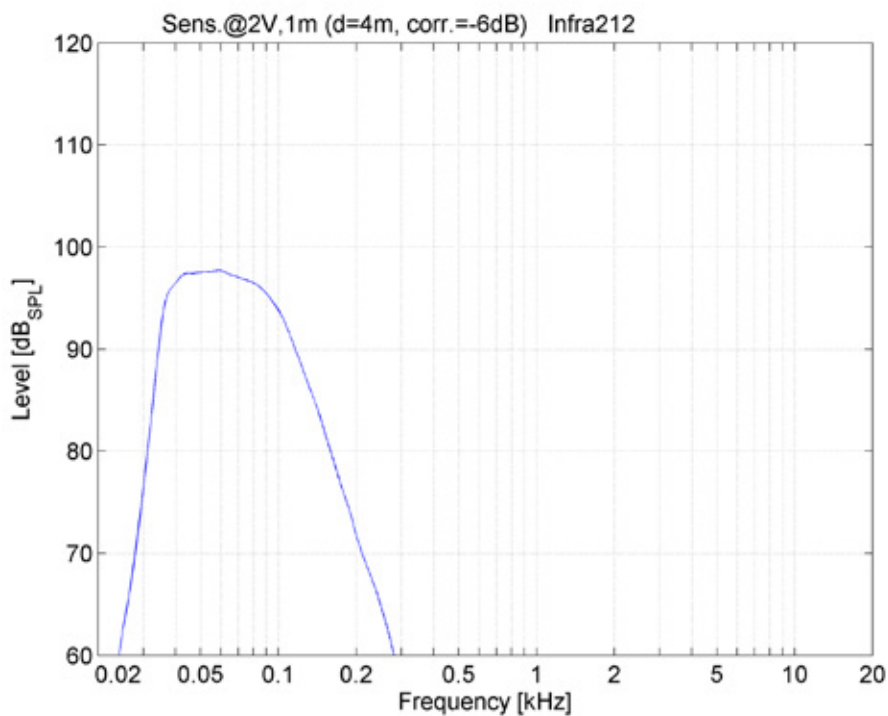


# hd Infra212 Datasheet

## Impedance



## Frequency response with DSP Preset



# hd Infra212 Datasheet

## Accessories



### **RAL-Color**

Special color per article according to RAL-Color chart.

Order number: 1073

---



### **Weather resistant**

Impregnation against weather influences.

Order number: 40610

---



### **Transport cover Infra212**

Durable protective transport cover made of polyester with 10 mm padding, rubber pad reinforcements on the front, hd logo print.

Order number: 30125

---



### **hd SilentWheels Set**

4 pcs. Acoustically decoupled 100 mm castors (3x unbraked + 1x braked)  
incl. 16 pcs. Carriage bolts.

Order number: 1035

Engineered  
Made  
In Germany



Harmonic Design

*...simply harmonic sound*

**Harmonic Design  
Audiotechnik GmbH**

Rudolf-Diesel-Straße 11  
DE-74382 Neckarwestheim

+ 49 (0) 7133 / 900 8617  
info@harmonic-design.com  
www.harmonic-design.com