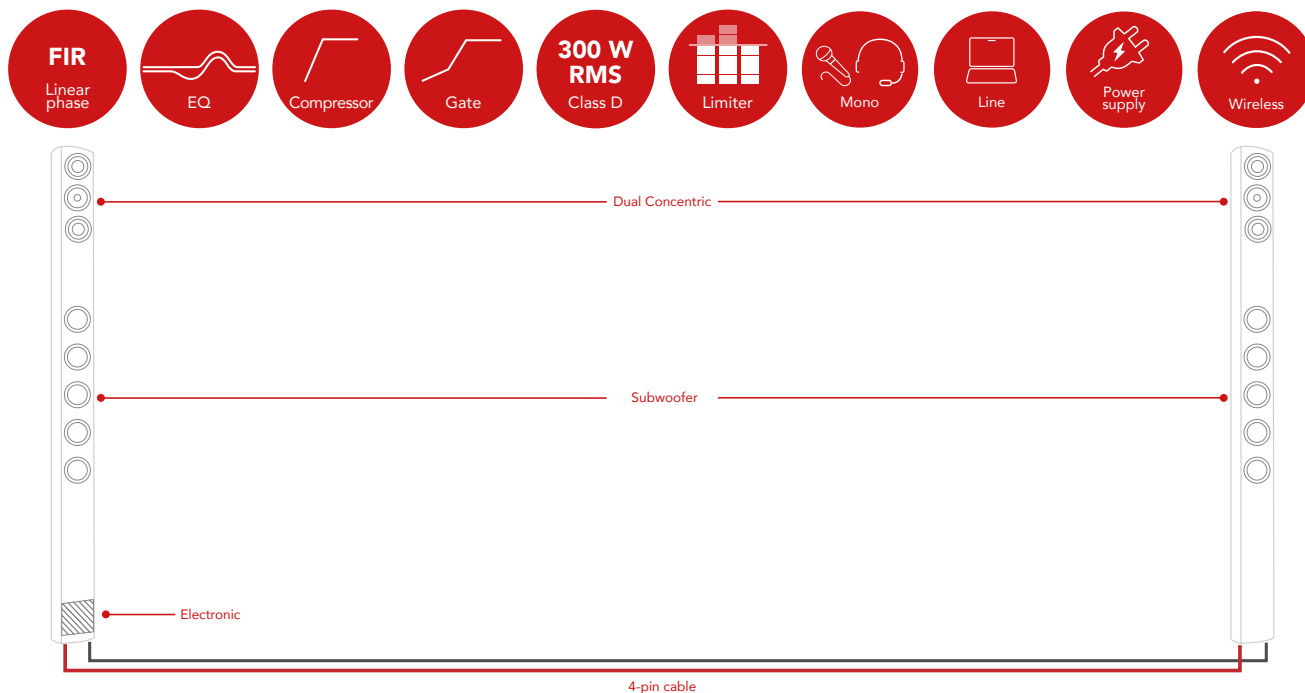




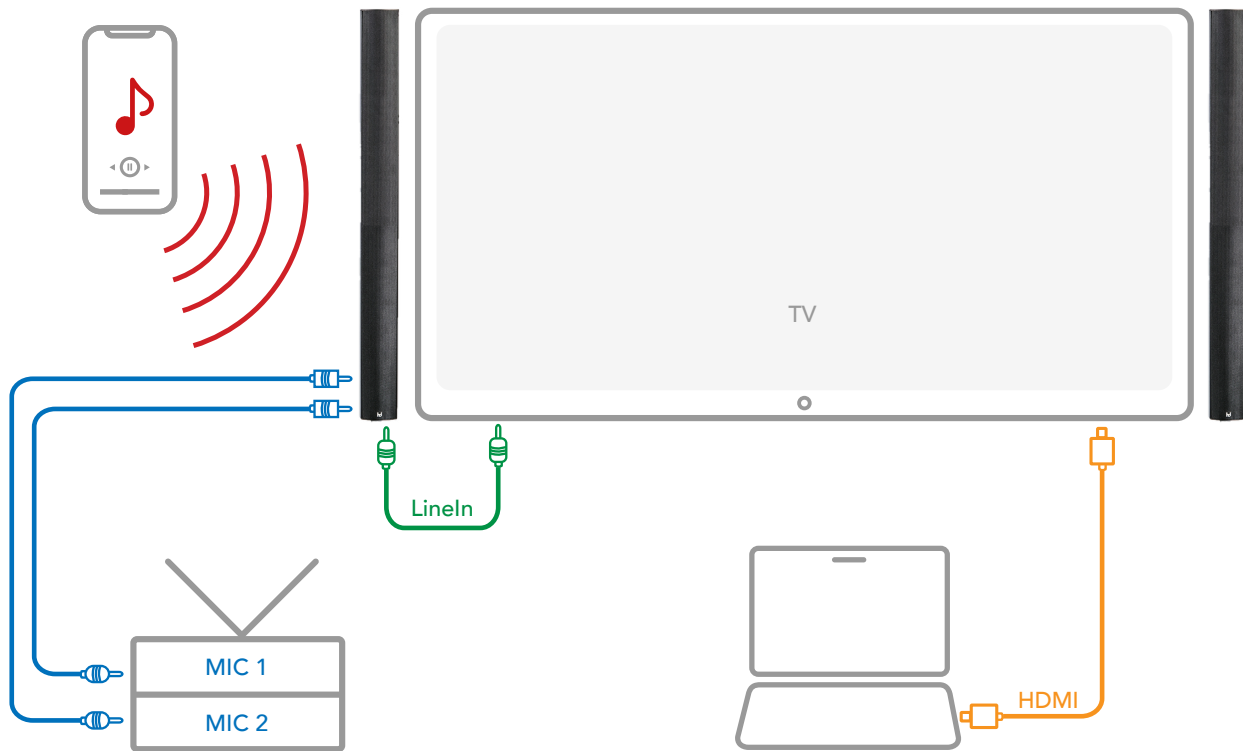
hd AudioScreenSys 75

For large multimedia presentation areas

The hd AudioScreenSys is an audiophile all-in-one stereo sound reinforcement solution with integrated subwoofers and 4+2In DSP amplifier for larger screens, LED walls and projection surfaces in mobile or fixed multimedia applications. The hd AudioScreenSys consists of one active column speaker and one passive column speaker. Each column speaker is equipped with a 3.5"+1" dual-concentric midrange-tweeter unit with two additional 3" D'Appolito woofers and a subwoofer array of five 3.5" long-throw woofers. This arrangement produces directional vertical dispersion in the low-mid range and provides greater coverage. The active column speaker contains all the amplifier electronics for the entire left/right system. Our 4+2In/4Out high-end hd ProDSP platform with highly efficient 4-channel Class D amplifiers with a total of 300 W RMS ensures the highest operational reliability, unique headroom and the best possible audio quality at all times for presentations, video conferences and music playback.



hd AudioScreenSys datasheet



The input stage consists of a stereo line-in for fixed connection of the TV or media sound and two microphone line-ins for connection of radio microphones, headsets, clip-on microphones or any line signals. A volume control for both microphone channels is located on the rear recessed connector panel. Four preset sound presets and microphone presets, suitable for the most common microphone types and models, can be recalled via buttons on the connector panel. A permanently active dynamics processor with expander, compressor and gate function for the microphone channels ensures ideal microphone operation without additional hardware. BYOD ready thanks to the optionally available Wireless Audio Interface.



The hd AudioScreenSys is the optimal sound reinforcement solution in the course of the digitalisation of the working world. For the sound reinforcement of media steles, larger conference rooms, museums, educational institutions or hotels, the state-of-the-art, reliable and easy-to-use all-in-one complete solution can be used cost-efficiently and makes external DSPs and matrix systems superfluous.

The shapely aluminium housing can be manufactured exactly to the height of the screen or presentation surface on request. The option of custom painting in all RAL-CLASSIC colours ensures seamless integration into the architecture. The integrated, continuous 13 mm T-slot on the rear is used to accommodate customised wall brackets. For direct wall mounting, the column speakers can be fixed flush to the wall with the optionally available L-angle wall bracket.

hd AudioScreenSys datasheet

Features

- Plug&Play complete audio solution with digital mixer functions
- 2x microphone inputs + media sound
- 4 microphone presets + sound presets each
- Wireless audio optional

Features of the DSP electronics

- 4-channel Class-D amplifier with 300 W RMS
- 4+2In/4Out high-end hd ProDSP with > 50 MIPS
- LinearPhase FIR filter

Acoustic and mechanical features

- Active and passive column speakers in stereo
- 2 1/2-way midrange-tweeter unit for high range and controlled dispersion
- integrated subwoofer array for extended frequency response of 45 Hz
- from 75" screen diagonal and special design in special lengths up to 3 m

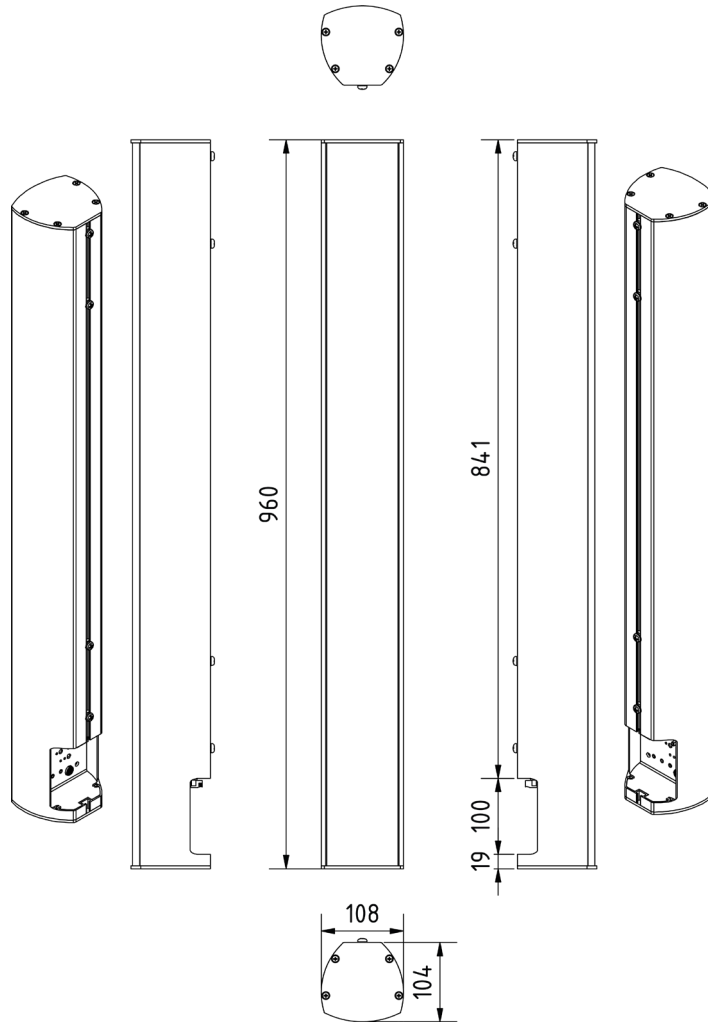
Application

Large media columns, educational institutions, museums, conference rooms, training rooms, hotels

| Model | hd AudioScreenSys 75 |
|-------------------------------|---|
| Order number | 402050-75 (Mini jack + Wireless Audio) 402055-75 (Phoenix, without wireless audio) |
| Design | active 2.1 Multi-Media system |
| Transducers | L/R: 3.5" + 1" DualConcentric + 2x 3" D'Appolito Subwoofer: 3x 3.5" long excursion woofers + 2x 3.5" ultra-long excursion passive cone |
| Coverage (h x v) | 80° x 80° |
| Frequency range (-6dB) | 45 Hz - 22 kHz |
| SPLmax @ 10% THD | 111 dB |
| Amplifier power | 300 W RMS |
| DSP | hd ProDSP 4+2In 4Out with FIR-/IIR-Filter RoomEQ, MicEQ, Compressor, Gate, Expander, Matrix, 4 sound presets, 4 mic presets |
| Connections | 1x stereo 3.5 mm jack input Line 2x mono 3.5 mm jack input Mic 1x 4-pole mains socket for 24V power supply 1x wireless audio |
| Enclosure | powder-coated aluminium profile black, grille with acoustic foam, recessed connection panel, volume control, 2x preselection buttons, coupling button |
| Optional accessories | RAL colour (Art. 1070) various wall brackets special length (Art. 40713) |
| Weight | 7 kg |
| Dimensions (W x H x D) | 108 x 960 x 104 mm |

hd AudioScreenSys datasheet

Dimensions [mm]



Connection panel

hd AudioScreenSys

All-In-One Solution

Engineered
Made
In Germany

Serial #

Harmonic Design GmbH
www.harmonic-design.com

READ MANUAL & SAFETY
INSTRUCTIONS BEFORE USE

CAUTION
RISK OF ELECTRIC SHOCK. DO NOT OPEN

WARNING
DO NOT EXPOSE THIS EQUIPMENT TO RAIN OR MOISTURE. REFER SERVICING TO QUALIFIED PERSONNEL.

CE

SETUP

Standby/
Power Service

Status Pairing

max

Mic Level

min

press&hold
Mic Preset

Preset 1

Preset 2

Preset 3

Preset 4

Select
Sound
Preset

INPUT

Mono Mic 1

Tip: + | Ring: - | Sleeve: GND

Mono Mic 2

Tip: L | Ring: R | Sleeve: GND

Stereo Line

Tip: L | Ring: R | Sleeve: GND

POWER

24 VDC, max. 300W
R7B socket

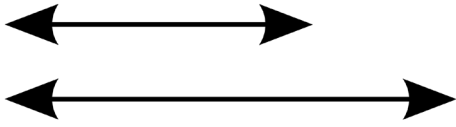
Frequency response with DSP preset

...simply harmonic sound

hd AudioScreenSys datasheet | Page 4/5 | © 04/2022
Harmonic Design GmbH, All rights reserved
Harmonic Design® is a registered trademark
technical modifications reserved

hd AudioScreenSys datasheet

Accessories



Special length

Special length of the speaker according to customer requirements

Order number: 40713 (up to 2000 mm total length)



RAL-Color

Special color per article according to RAL color chart

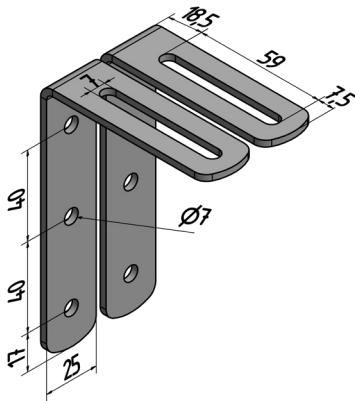
Order number: 1070



Wall bracket 24471

Wall distance 110 mm, laterally swivelling with inclination up to 30°.

Load capacity: 15 kg
Dimensions (W x H x D): 90 x 160 x 110 mm
Order number: 900851BLK (black RAL 9005)
900851W (white RAL 9010)



L-bracket wall mount-set

Discreet L-bracket set for extremely close mounting of the speaker to the wall. Side swivel with inclination up to 5°. The speakers housing plates are equipped with M6 inlet threads. Incl. 2x M6x14 hexagon socket screws

Load capacity: 30 kg
Dimensions (W x H x D): 20 x 60 x 80 mm
Order number: 900106 (in RAL-Color of speaker)