

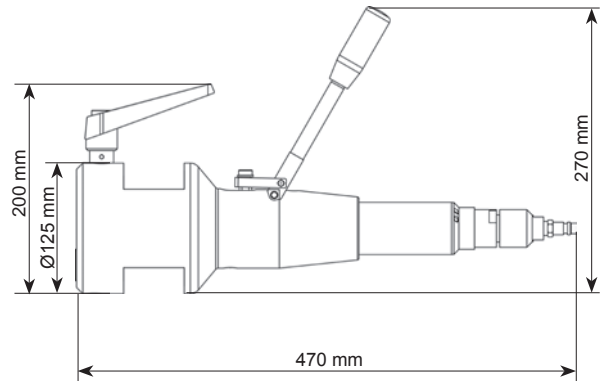
Pipe beveler MF4-R

Clamping range OD-OD: 48,3 - 88,9 mm

The MF4-R is used for the bevelling of pipe ends or membrane walls. It is clamped by a lever on the front side and the feed by a lever on the back side. Besides its conventional use, the MF4-R can also be inserted into a clamping device to be used as a fixed bevel unit.



Dimensions



Specifications

Specifications MF4-R			Pneumatic Motor		
Working range ID-OD	30 - 88,9 mm	1,181 - 3,5"	Power	850 W	1,2 HP
Clamping range OD-OD	48,3 - 88,9 mm	1,744 - 3,5"	Air pressure	6 bar	87 psi
Max. wall-thickness	10 mm	0,39"	Air consumption	0,96 m ³ /min	33,9 cfm
Feed	15 mm	0,59"	Air hose connection	1/4"	1/4"
Weight with electric motor	7,0 kg	15,4 lb	Features	speed control	
Weight with pneumatic motor	5,9 kg	12,8 lb	Electric Motor		
Weld prep	facing, V-prep, J-prep, counter boring		Power consumption	1.200 W (110V/230V)	1,6 HP
Materials	steel, stainless steel, duplex, high alloyed		Features	speed adjustment, torque control	
Tooling	tool bits, TiN inserts, custom bits				
Machine body	Aluminium alloy				

Accessories & additional options



Tools for MF4-R
see from page S. 48