

Spare parts - Version 1
Serial number:

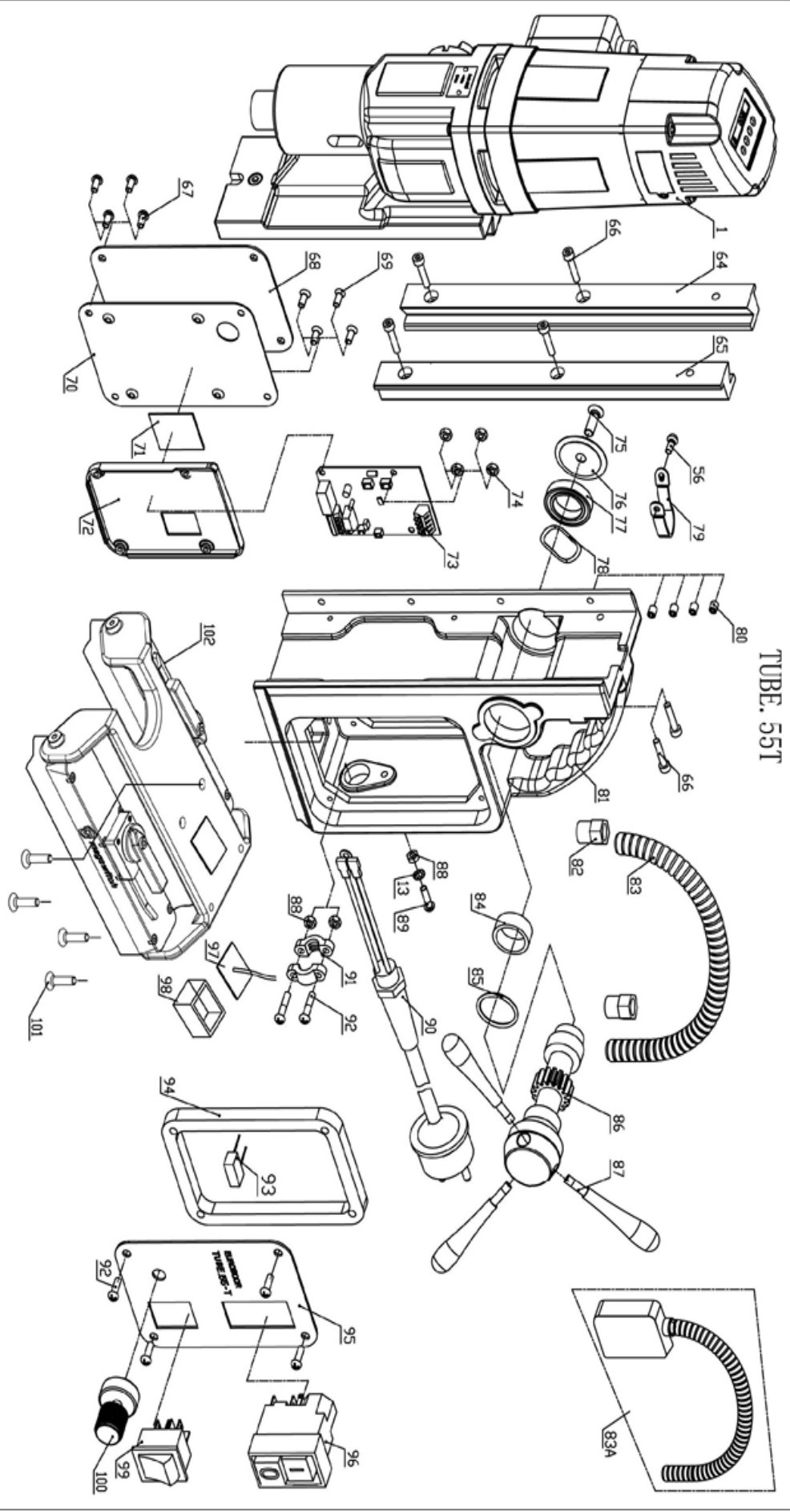
 **EUROBOOR**
FOR PROFESSIONALS BY PROFESSIONALS

Magnetic drilling machine

TUBE.55S/T – V1

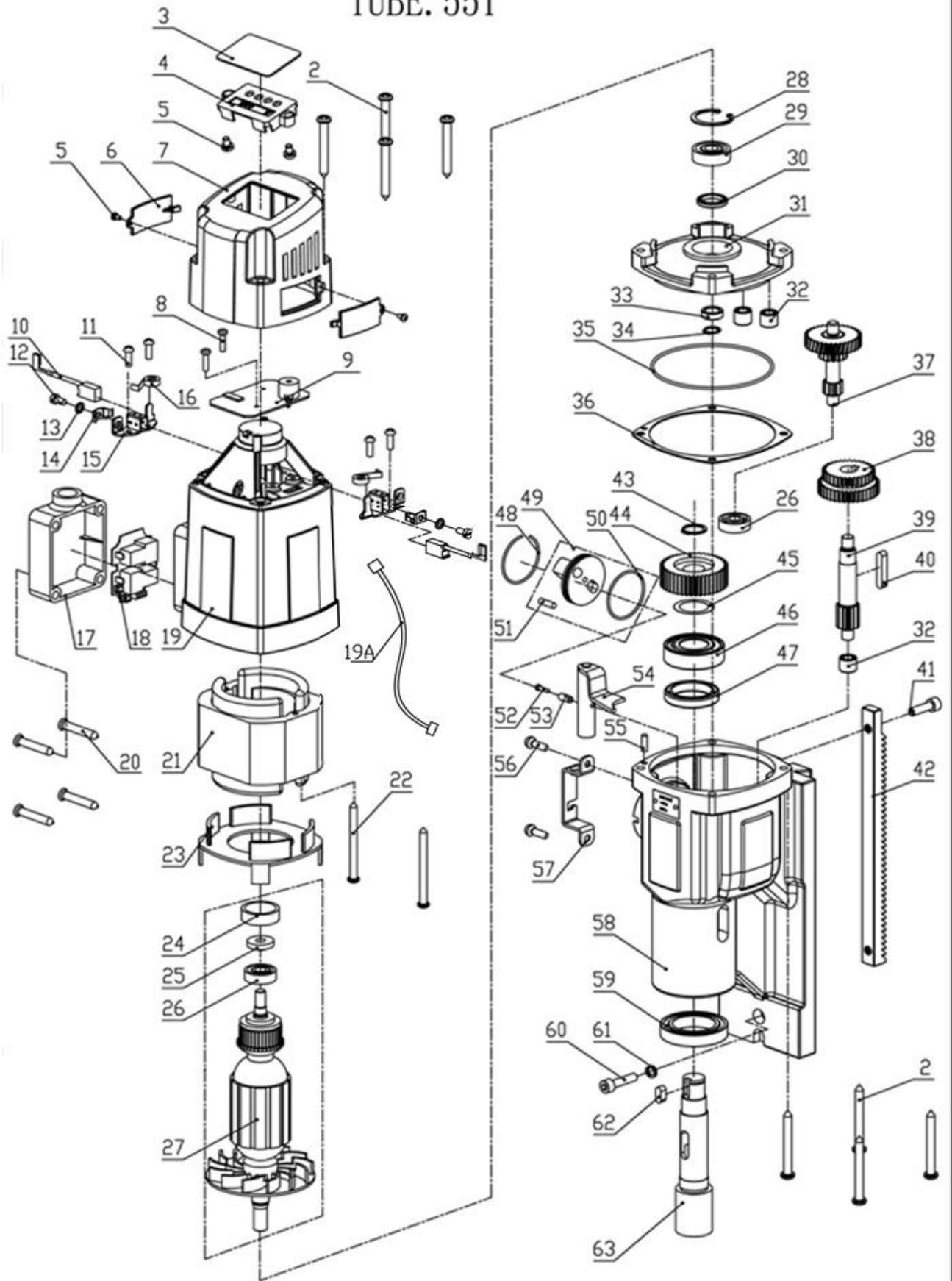
Is your serial number missing? Please contact Euroboor and ask them for more information.

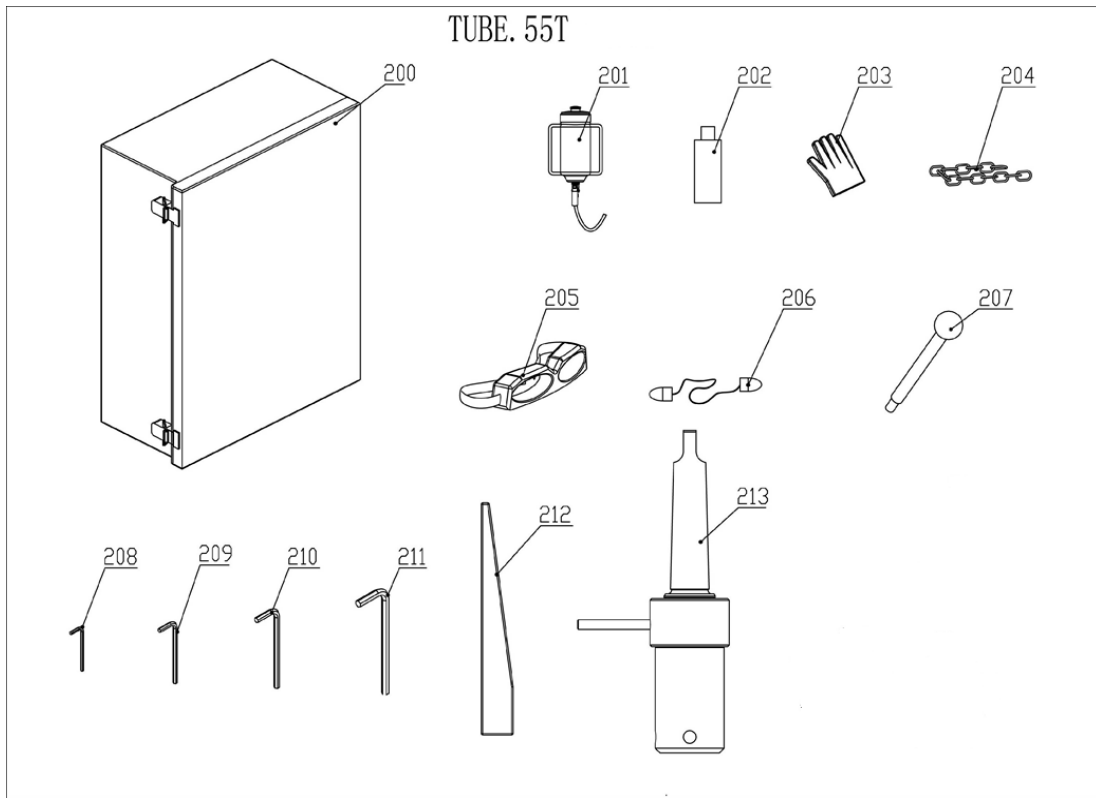
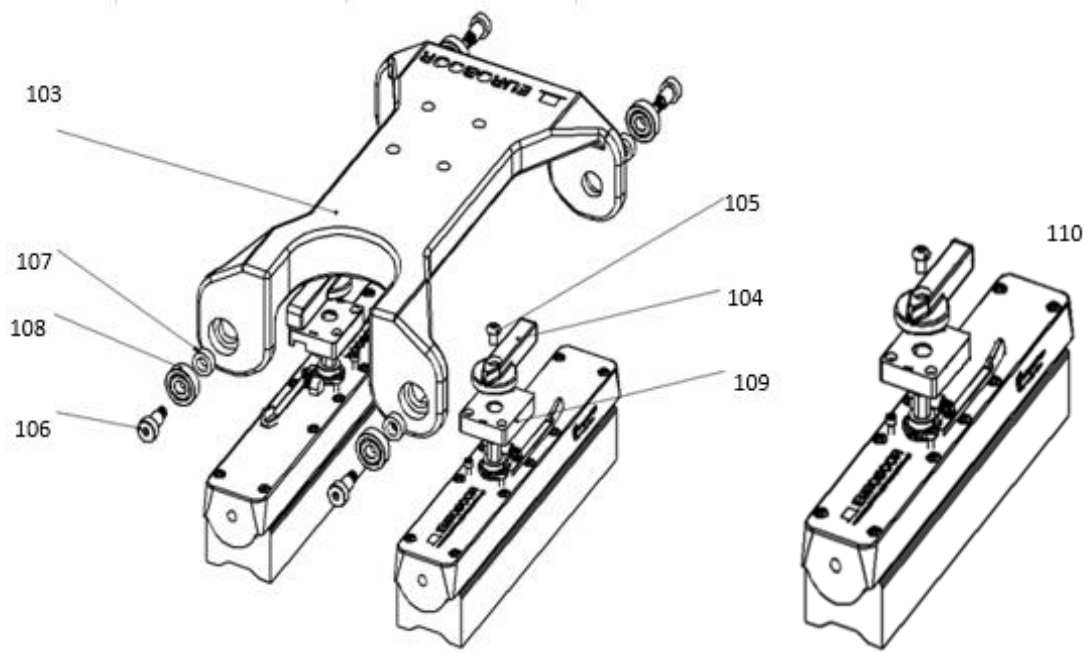
Last update: August 25th, 2020



TUBE. 551

TUBE. 55T





No.	Part number	Description
1	055TM.1001	Motor 220V complete (incl. gearbox)
	055TM.1001A	Motor 110V complete (incl. gearbox)
2	100.0306	Screw
3	050.0059	Protective cover 53 x 35
4	050.1013	LED screen
5	050.0060	Screw M3 x 5
6	050.0133	End plate
7	050.0130	End cover
8	050T.0332	Screw for speed control unit
9	055T.0010T	Top PCB 230V
	055T.0010TA	Top PCB 110V
10	050.0147	Carbon brush set - 230V
	050.0148	Carbon brush set - 110V
11-16	050.0371	Carbon brush holder
17	050.0586	Cable housing
18	050T.0002-4	Control unit A 220V
	050T.0003-4	Control unit A 110V
19	050.0131	Housing
19A	CS055T.0341	Cable
20	050.0587	Screw
21	050T.0278	Field 220V
	050T.0278A	Field 110V
22	020.0328	Screw M4 x 70
23	050.0261	Baffle
24	050T.0346	Rubber ring
25	050T.0180	Armature speed disk
26	032.0126	Bearing
27	050T.0183	Armature 220V
	050T.0183A	Armature 110V
28	032.0166	Circlip
29	032.0171	Bearing
30	050.0064	Oil bearing
31	050.0236/Y	Inner gear plate
32	040.0161	Bearing
33	050.0065	Metal ring
34	050.0176	Circlip
35	050.0071	O-ring
36	050.0207	Gasket
37	050.0252	Gear set (assembly)
38	050.0171	Gear 34/40Z
39	050.0231	Gear
40	100.4496	Key 5x5x28
41	020.0156	Screw
42	050.0074	Rack
43	050.0076	Circlip
44	050.0463	Gear 1 x 45T
45	050.0462	Washer
46	030.0009	Bearing
47	050.0066	Oil bearing
48	050.0078	Ring
49-51	050.1016	Gear switch assembly
52	020.0329	Screw
53	050.0082	Screw holder
54	050.1005A	Clutch shaft set

55	032.0211	Pin
56	KSP.MS	Screw
57	020.0289	Coolant hanger
58	050.1015	Gear box 230V
	050.1019	Gear box 110V
59	050.0068	Bearing
60	020.0146	Screw
61	020.0111	Washer
62	050.0077	Key
63	050.0461	Spindle drive shaft
64-65	020.0086/Z	Rail set Alu (L+R) Z-profile
66	020.0063	Screw
67	020.0101	Screw
68	055.0002	Rear panel plate 230V
	055.0002A	Rear panel plate 110V
69-74	055T.1019	Speed control unit assembly 220V
	055T.1019A	Speed control unit assembly 110V
75	020.0081	Screw
76	050.0030	End cover
77	050.0063	Bearing
78	040.0023	Washer
79	020.0298	Motor cable clamp
80	020.0231	Screw
81	020.0056/Z-TUBE	Frame
82	020.0041	Coupling nut for motor cable
83	020.0046	Motor cable tube
83A	CS055T.1020	Motor cable complete (incl. 17 (1), 82 (2), 83 (1))
84	032.0127	Metal bearing
85	030.0027	Washer
86	020.0061/XB	Capstan hub
87	020.0315	Arm for capstan
88-89	020.0182	Grounding screw/washer/nut
90A	020.0036	Main cable complete 220-240V
	020.0036/AU	Main cable Australia
	020.0036/UK	Main cable UK 220v
	020.0036/UK 110-16A	Main cable UK 110v 16A
	020.0036/USA	Main cable USA
90B	020.0031	Coupling nut PG11 (main cable)
91-92	032.1020-CK	Cable clamp
93	050.1030-TM	Capacitance
94	032T.0009	Spacer
95	PP.F-TUBE.55-T	Front panel plate
96	030E.0091/Y2	On/off switch 220V
	030E.0092/Y2	On/off switch 110V
97-98	055.1041	Gyro-scope PCB set
99	100.0152	Left/Right switch
100	032T.0057	Potentiometer
101	055T.0006	Screw
102	055T.1013	Magnet base ECO-TUBE.55-T complete
		Consisting of the following parts:
103	3001289	Magnetic Base Frame
104	3001395	Magnet Handle Kit

105	180165	M5x8 Button Head
106	1801027	Shoulder Bolt, Mounting
107	1801028	Bushing, Brass
108	180158	Bearing
109	600273	Ratchet cover RED
110	80001056	Magnet array complete (incl. 104 & 105)
200	CAS.TUBE55T	Case metal for TUBE.55-T
201	KSP.Q2	Coolant tank Quick Connect 2015
202	IBO.10.200	Cutting oil IBO.10 0.2LTR
203	SAF.300	Protective gloves
204	SAF.400	Safety chain (1 mtr) with lock
205	SAF.100	Safety goggles
206	SAF.200	Ear plugs
207	KSP.P	Arm for capstan
208	IMB.US2.5	Allen key 2.5 mm
209	IMB.US3	Allen key 3.0 mm
210	IMB.US4	Allen key 4.0 mm
211	IMB.US5	Allen key 5.0 mm
212	drift3	Drift MT3
213	IMC.30/19-N-TUBE	Spindle set for TUBE.55-T