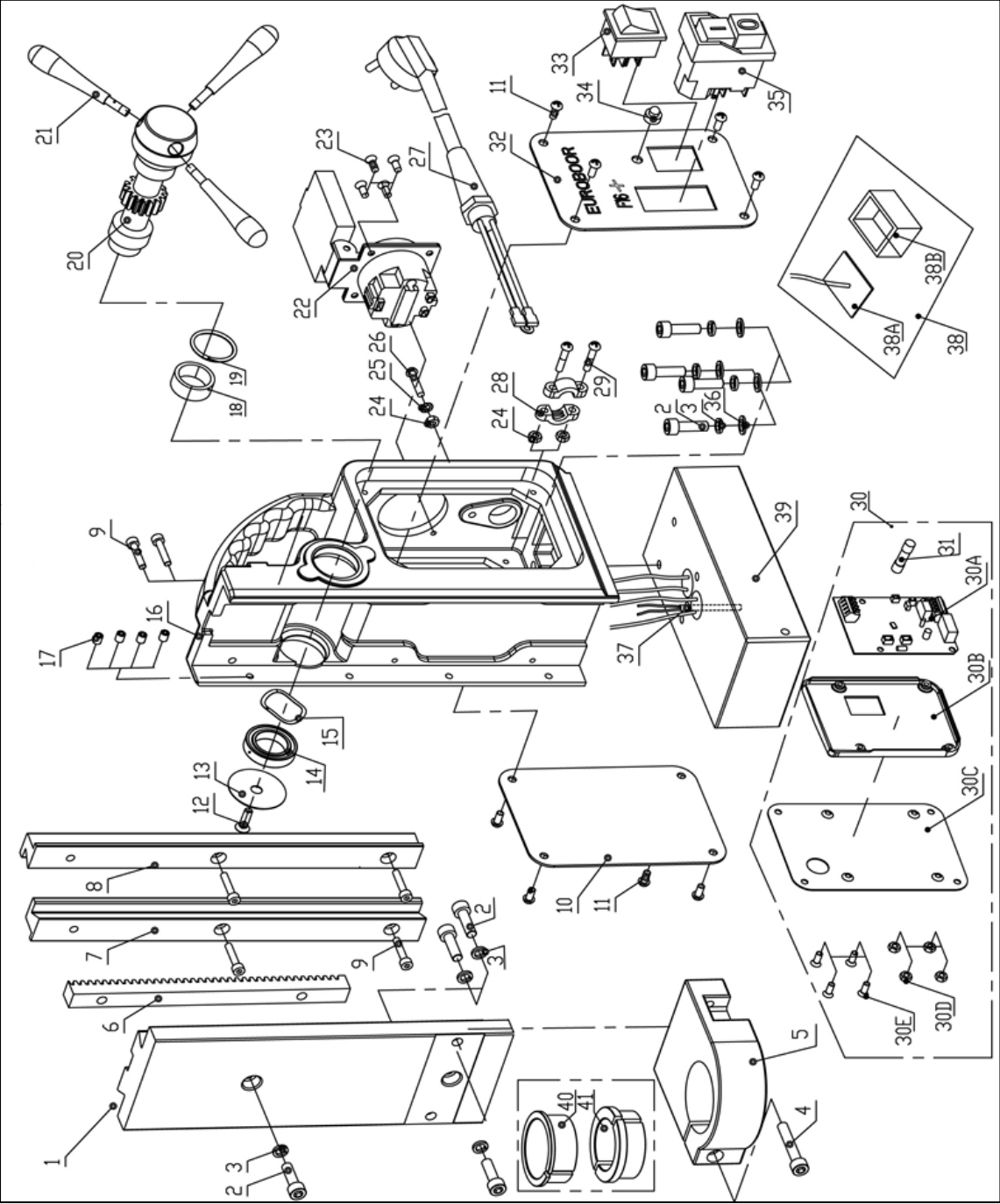
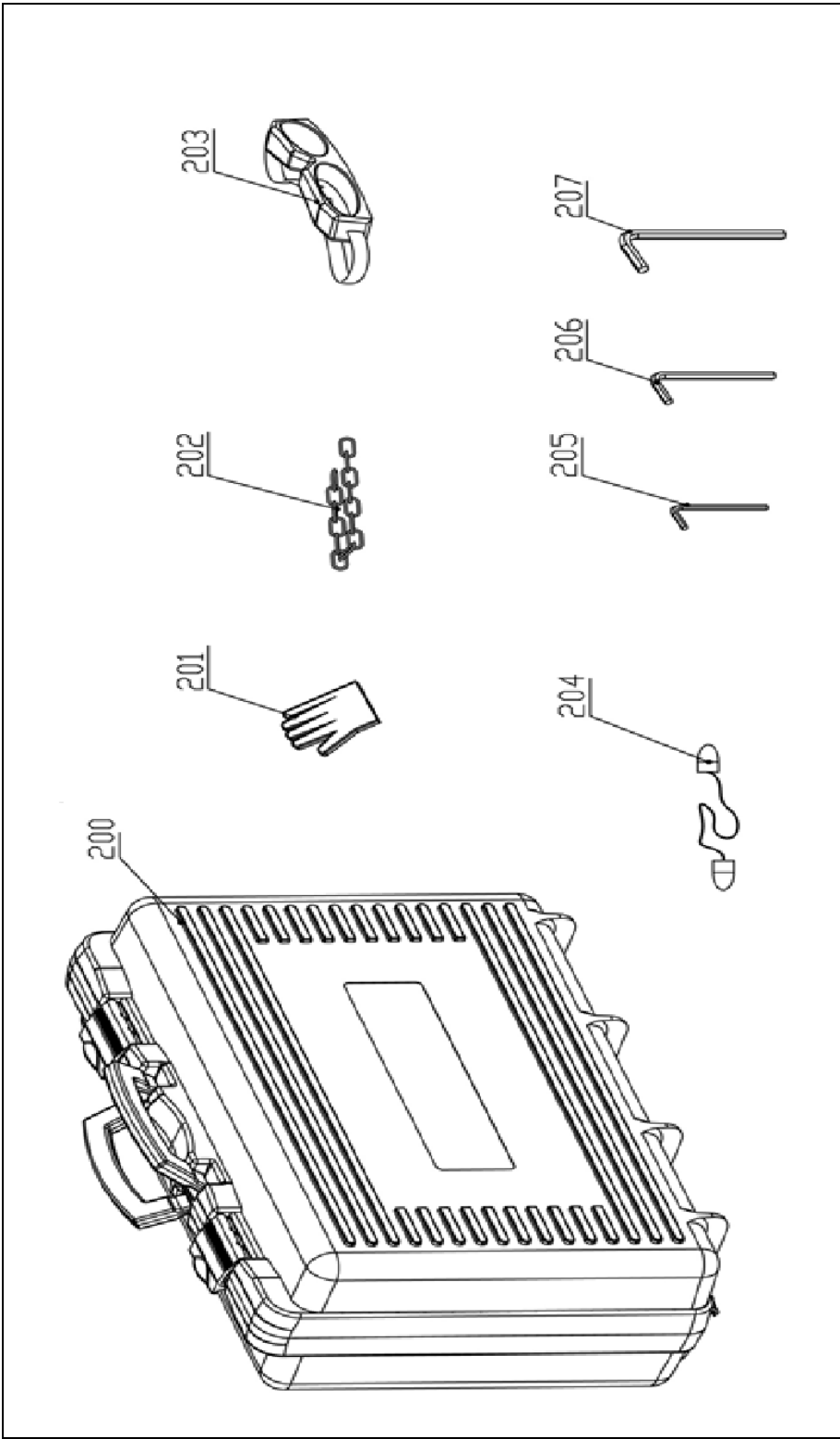


# Exploded views & spare parts list

## Exploded views





## Spare parts list

No.	Part no.	Description	Qty
1	050.0011F	Slide	1
2	020.0156	Bolt M6 x 20	8
3	020.0111	Washer M6 DIN7980	8
4	020.0146B	Screw M6 x 35	1
5	032.0026F	Motor holder	1
6	032.0016	Rack	1
7	020.0086/Z	Rail set aluminium (L/R)	1
8		Z-profile	
9	100.0022	Bolt M5 x 20	6
10	055.0002	Rear panel 220V	1
	055.0002A	Rear panel 110V	
11	020.0101	Panel screw BKVZ M4 x 8	8
12	020.0081	End screw BKVZ M6 x 16	1
13	050.0030	Ender cover Ø36 X 3	1
14	050.0063	Bearing 6804 ZZ	1
15	040.0023	Washer	1
16	032.0008	Frame F16 series	1
17	020.0056/S	Screw SS M5 x 6	4
18	032.0127A	Bearing 110 - 220 Volt	1
19	030.0027	Washer	1
20	020.0061/Z	Capstan hub assembly	1
21	020.0315	Arm for capstan	3
22	020.0455	Socket 16A 220V UK	1
	020.0456	Socket 13A 110V UK	
	020.0457	Socket 15A 110 V USA	
	020.0459/AU	Socket 16A 220V AU	
	020.0459	Socket 16A 220V EU	
23	020.0464	Screw M4 x 10	4
24	020.0182	Grounding screw/washer/nut	1
25			
26			
27	020.0036	Main cable 220V EU	1
	020.0036/AU	Main cable Australia	
	020.0036/UK	Main cable UK 220v	
	020.0036/UK 110-16A	Main cable UK 110v 16A	
	020.0036/USA	Main cable USA	
	020.0031	Coupling nut PG11 (main cable)	1

No.	Part no.	Description	Qty
24	020.0037	Cable clamp complete	1
28			
29			
30	032.1008Z	Control unit 110 - 220 Volt	1
31	020.0017	Fuse 5 x 20 F2A	1
32	032.0007S	Front panel F16+	1
33	020.0011-1	Magnet switch	1
34	020.0206	LED indicator set	1
35	030E.0091/Y	Motor switch 220V (5-pin) YELLOW	1
	030E.0092/Y	Motor switch 110V (5-pin) YELLOW	
36	020.0112	Washer M6	4
37	020.0201	Sensor	1
38	055.1041	Gyroscope PCB set	1
39	030.1022	Magnet 220 Volt	1
	030.1022A	Magnet 110 Volt	
40	020.0460	Adapter Ø43 x Ø38	1
41	020.0461	Adapter Ø43 x Ø33	1
200	F16+.2010	Case F16+ with sticker	1
201	SAF.300	Protective gloves	1
202	SAF.400	Safety chain (1 m) with lock	1
203	SAF.100	Safety goggles	1
204	SAF.200	Ear plugs	1
205	IMB.US2.5	Allen key 2.5 mm	1
206	IMB.US4	Allen key 4.0 mm	1
207	IMB.US5	Allen key 5.0 mm	1